



US00D614040S

(12) **United States Design Patent**
Holmes et al.

(10) **Patent No.:** **US D614,040 S**
(45) **Date of Patent:** **** Apr. 20, 2010**

- (54) **COMBINED BOTTLE AND CAP**
- (75) Inventors: **Edward J. Holmes**, Kings Park, NY (US); **Chad Lavigne**, Hastings on Hudson, NY (US); **Philip J. Silverstein**, Mamaroneck, NY (US)
- (73) Assignee: **Bath & Body Works Brand Management, Inc.**, Reynoldsburg, OH (US)
- (**) Term: **14 Years**
- (21) Appl. No.: **29/350,199**
- (22) Filed: **Nov. 12, 2009**

Related U.S. Application Data

- (62) Division of application No. 29/323,671, filed on Aug. 28, 2008.

- (51) **LOC (9) Cl.** **09-01**
- (52) **U.S. Cl.** **D9/542; D9/573**
- (58) **Field of Classification Search** D9/516, D9/530, 544, 546, 559, 560, 572-574, 434, D9/435, 439; 220/662, 669; 215/382-384
See application file for complete search history.

(56) **References Cited**

U.S. PATENT DOCUMENTS

- D60,472 S * 2/1922 Smith D9/573
- D91,080 S * 11/1933 Nitardy D9/542
- D103,789 S * 3/1937 Nitardy D9/543
- D108,727 S * 3/1938 Dunnock D9/542
- D114,363 S * 4/1939 Dunnock D9/542
- D213,041 S * 12/1968 Stehl D9/529
- D260,610 S * 9/1981 Grip D9/571
- D270,040 S * 8/1983 Perez Casasa y Perez de Guzman D9/573
- D370,413 S * 6/1996 Gobe D9/454
- D424,940 S * 5/2000 Degnen D9/454

- D441,296 S * 5/2001 Majerowski D9/542
- D459,226 S * 6/2002 Guarnieri D9/435
- D536,259 S * 2/2007 Herrmann D9/573
- D539,980 S * 4/2007 Kadlubowski et al. D28/76
- D589,355 S * 3/2009 Rica D9/546
- D589,814 S * 4/2009 Holzner et al. D9/547
- D600,133 S * 9/2009 Friedman et al. D9/560
- D604,629 S * 11/2009 Aebi D9/544

* cited by examiner

Primary Examiner—Stella M Reid

Assistant Examiner—Keli L Hill

(74) *Attorney, Agent, or Firm*—Colucci & Umans Notaro & Michalos P.C.

(57) **CLAIM**

The ornamental design for a combined bottle and cap, as shown and described.

DESCRIPTION

FIG. 1 is a front top left perspective view of a first embodiment of a combined bottle and cap, showing our new design; FIG. 2 is a front elevational view thereof, the rear elevational view being identical;

FIG. 3 is a right side elevational view thereof, the left side being identical;

FIG. 4 is a top plan view thereof;

FIG. 5 is a bottom plan view thereof;

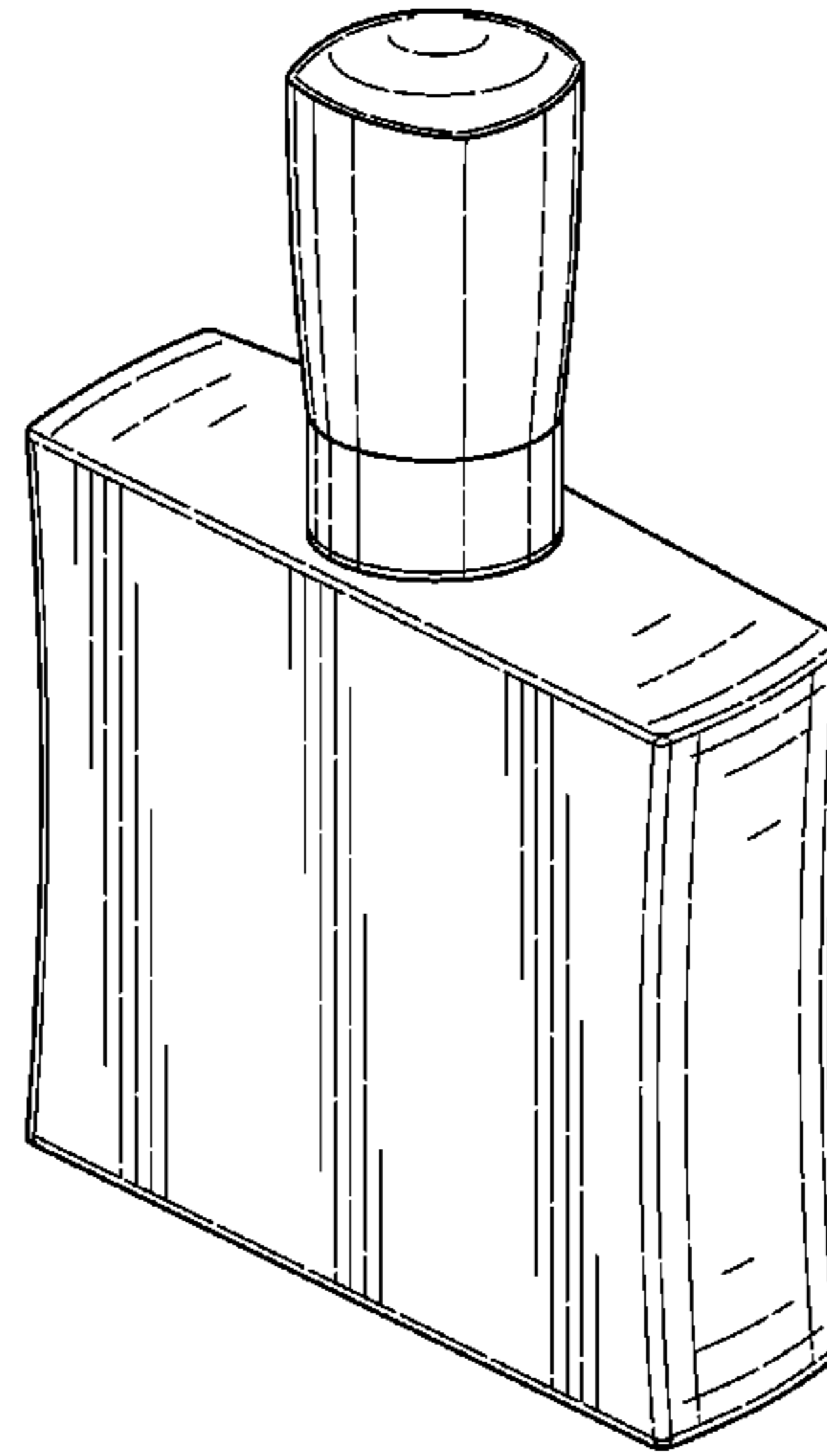
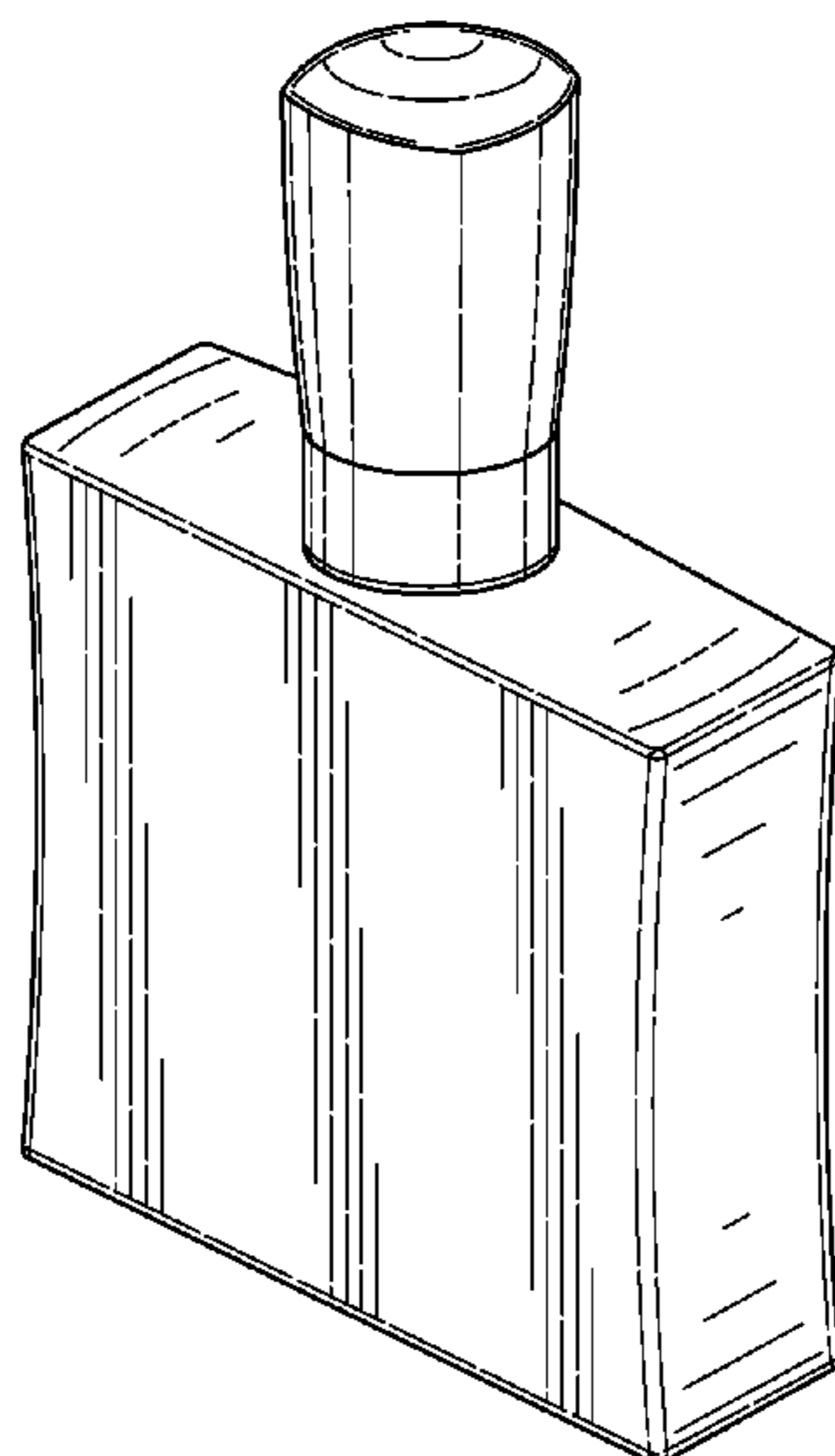
FIG. 6 is a front top left perspective view of a second embodiment of a combined bottle and cap, showing our new design; FIG. 7 is a front elevational view thereof, the rear elevational being identical;

FIG. 8 is a side right elevational view, the left side being identical;

FIG. 9 is a top plan view thereof; and,

FIG. 10 is a bottom plan view thereof.

1 Claim, 8 Drawing Sheets



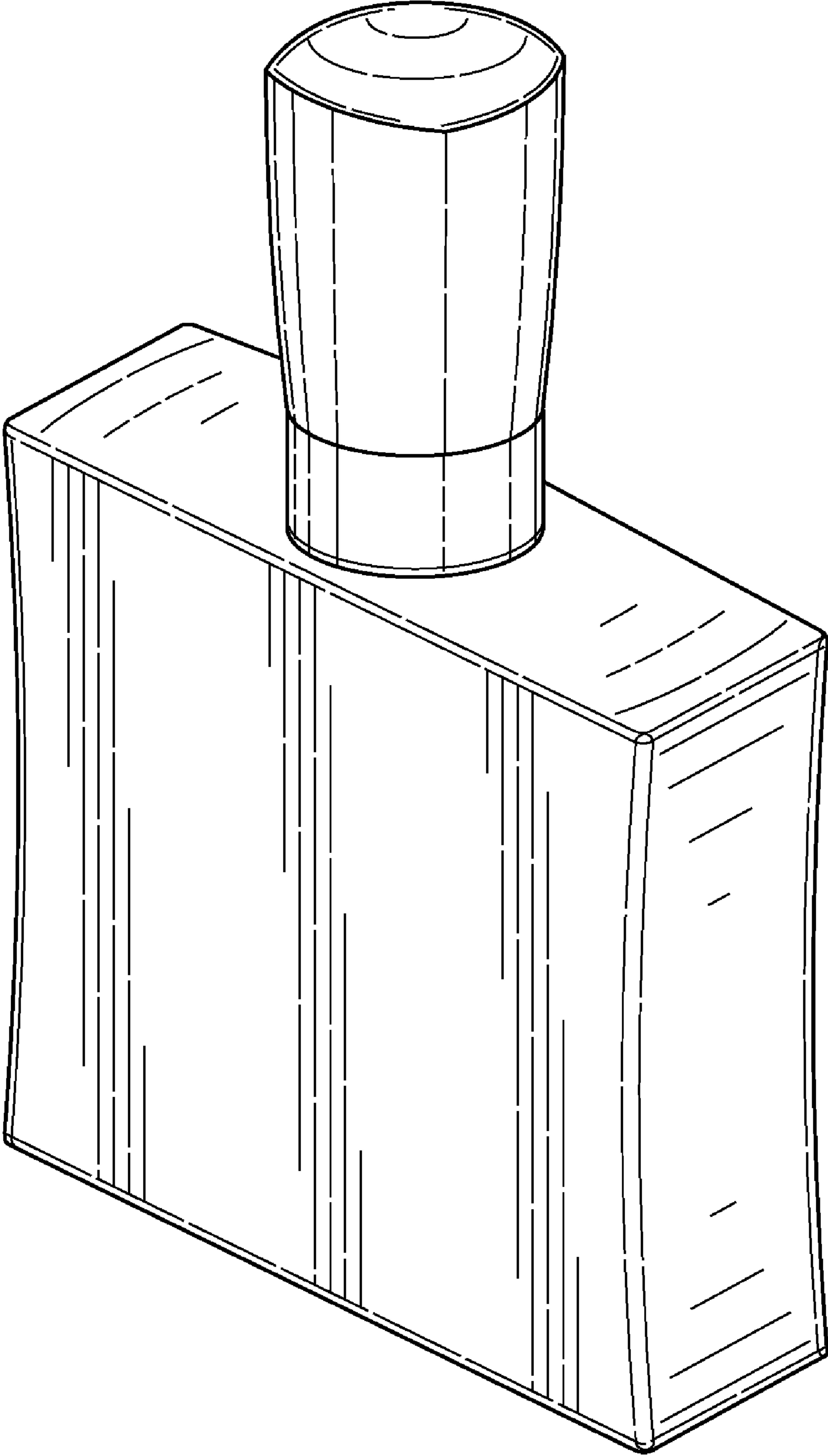


FIG. 1

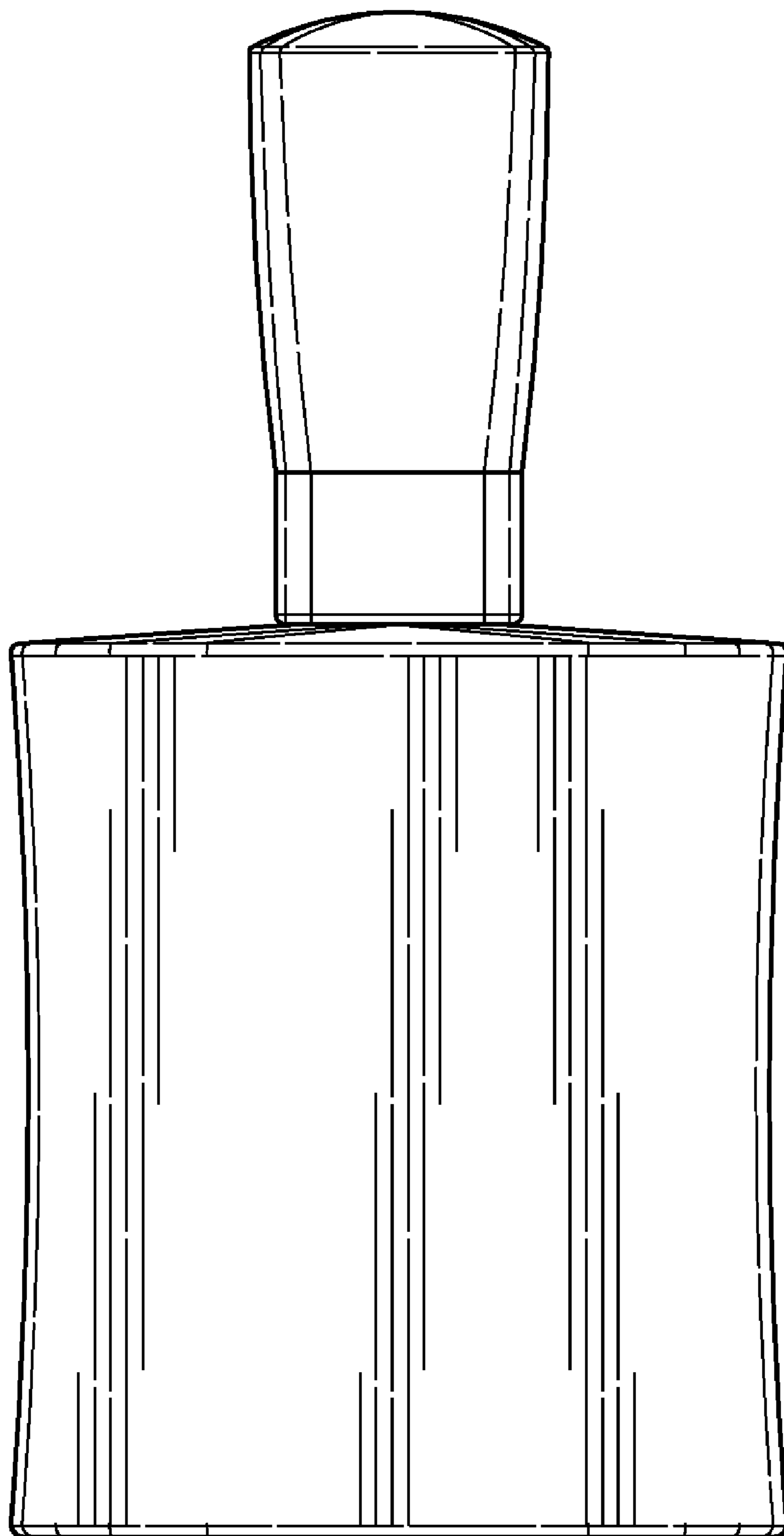


FIG. 2

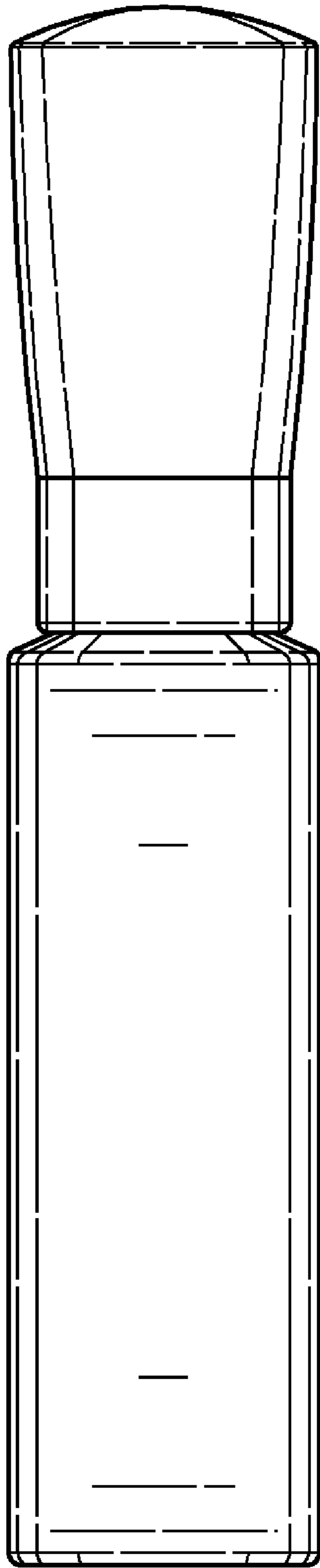


FIG. 3

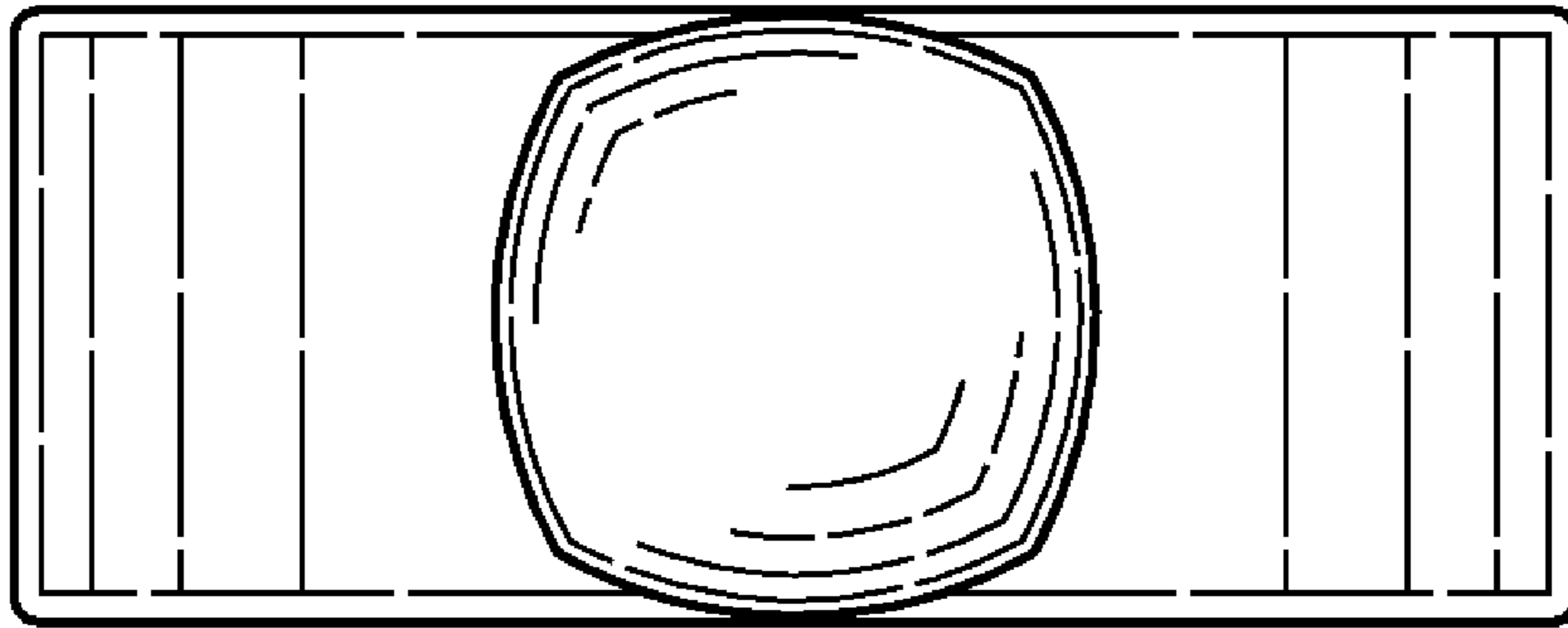


FIG. 4

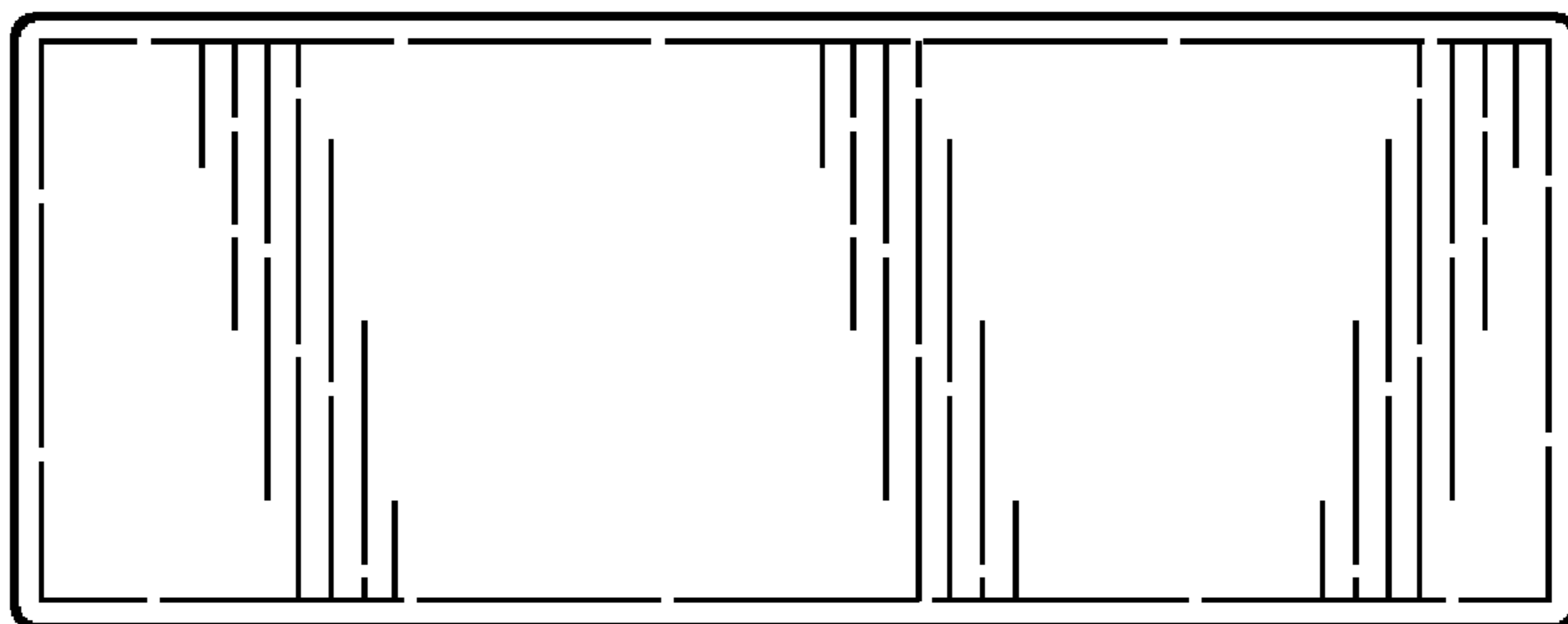


FIG. 5

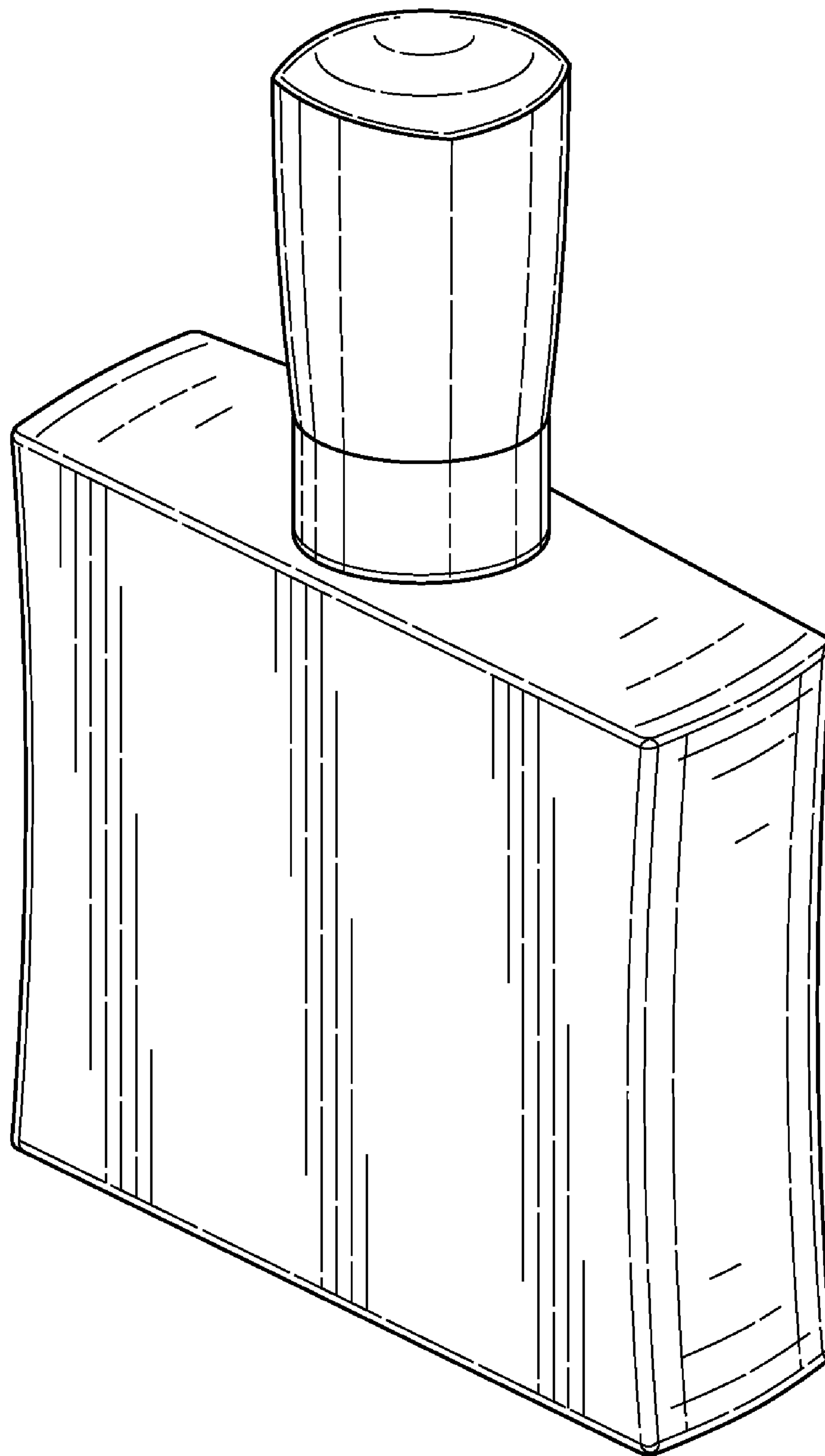


FIG. 6

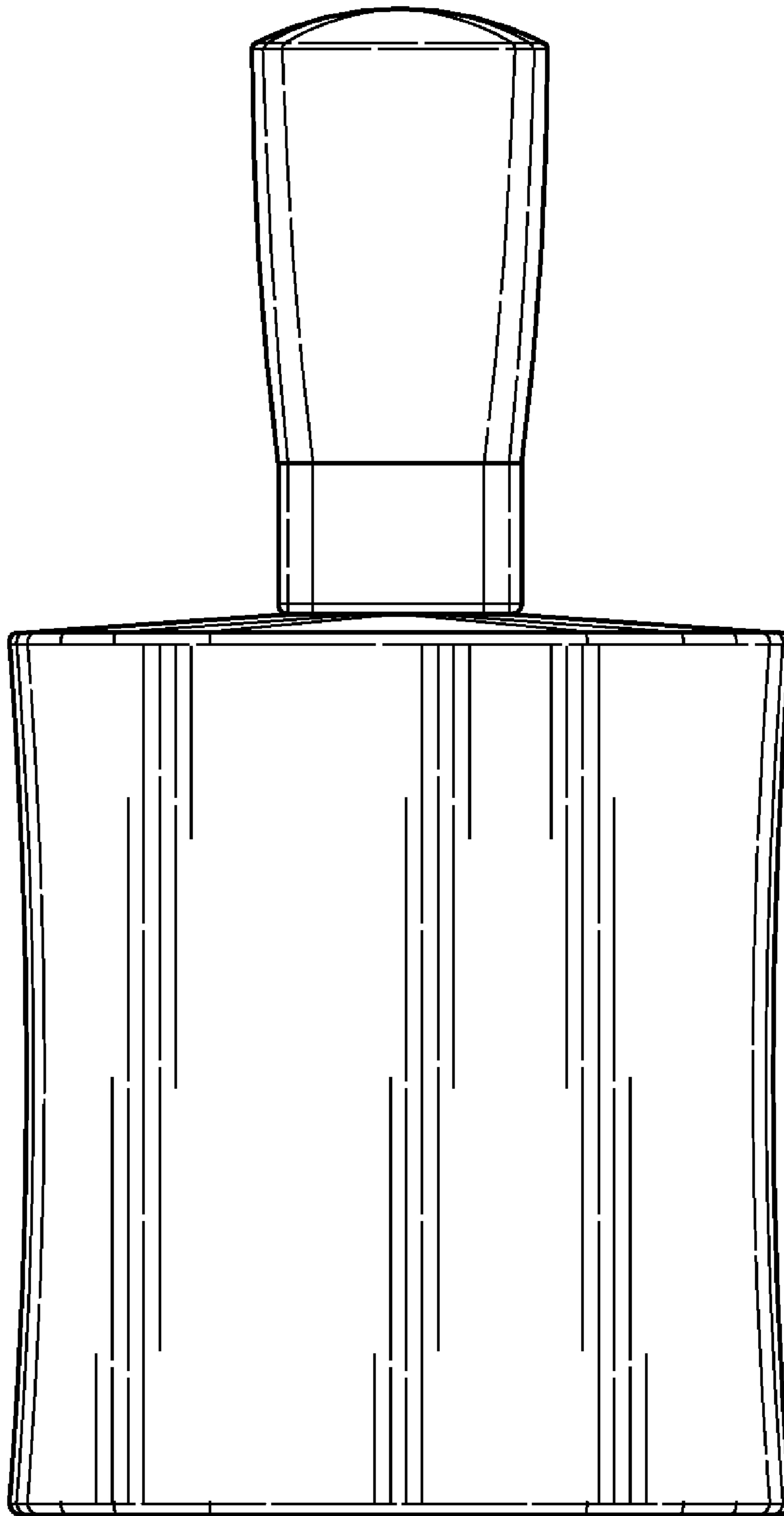


FIG. 7

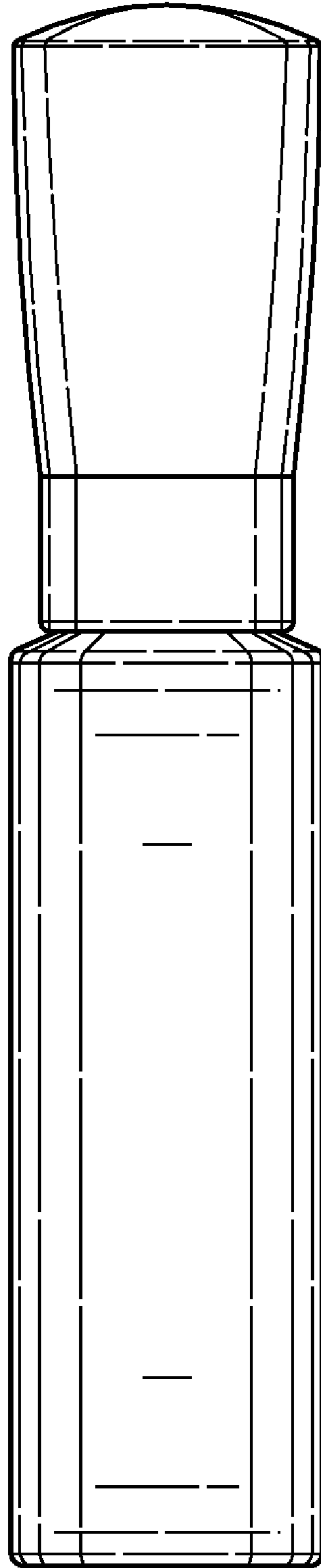


FIG. 8

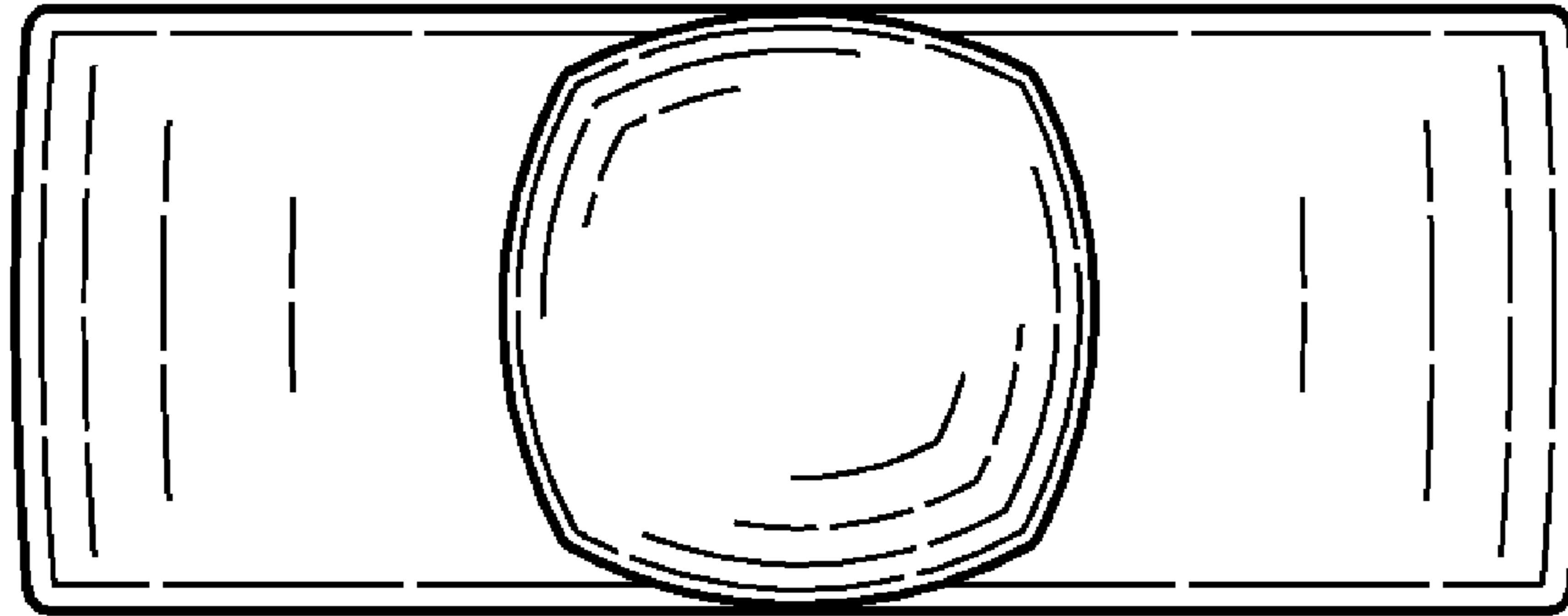


FIG. 9

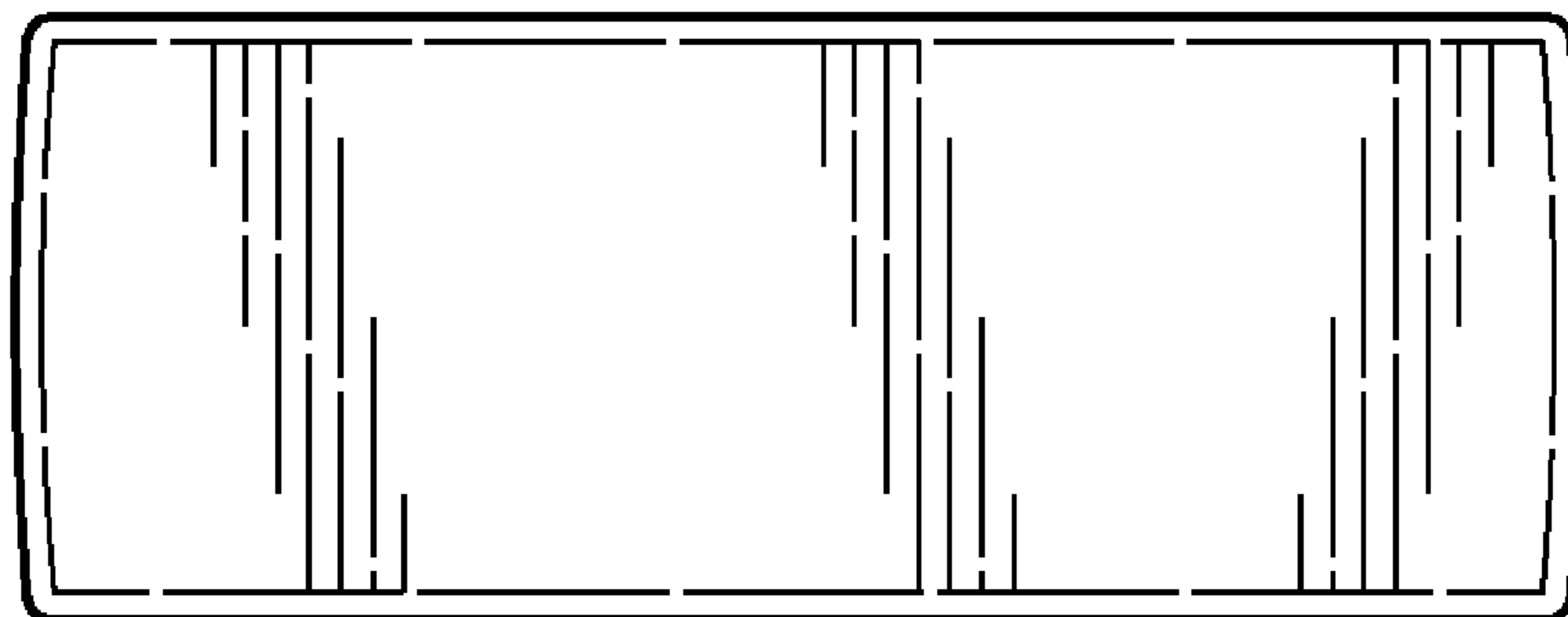


FIG. 10