



US00D614036S

(12) **United States Design Patent**
Gedanke

(10) **Patent No.:** **US D614,036 S**

(45) **Date of Patent:** **** Apr. 20, 2010**

(54) **CONTAINER**

(75) Inventor: **Sergio Gedanke**, Brooklyn, NY (US)

(73) Assignee: **The Nisshin OilliO Group, Ltd**, Tokyo (JP)

(**) Term: **14 Years**

(21) Appl. No.: **29/316,244**

(22) Filed: **Sep. 5, 2009**

(51) **LOC (9) Cl.** **09-01**

(52) **U.S. Cl.** **D9/520; D9/542; D9/563; D9/571; D9/573**

(58) **Field of Classification Search** D9/516–575, D9/600–681, 682–694, 434–436; 215/370, 215/373, 379–384; 220/600, 608, 609, 669–675
See application file for complete search history.

(56) **References Cited**

U.S. PATENT DOCUMENTS

D25,402 S *	4/1896	Nelson	D9/544
D240,968 S *	8/1976	Hurst	D24/197
D306,977 S *	4/1990	Waterman	D9/574
D325,167 S *	4/1992	Humfress	D9/575
D355,131 S *	2/1995	Kusz et al.	D9/560
D373,537 S *	9/1996	Schirado	D9/572
D394,211 S *	5/1998	Kuzma et al.	D9/542
D429,629 S *	8/2000	Kuzma et al.	D9/682

D529,814 S *	10/2006	Winkler et al.	D9/563
D590,721 S *	4/2009	Martinez De San Vicente	D9/571

* cited by examiner

Primary Examiner—Catherine Tuttle

(74) *Attorney, Agent, or Firm*—Farjami & Farjami LLP

(57) **CLAIM**

I claim the ornamental design for a container, as shown and described.

DESCRIPTION

FIG. 1 is a perspective view of a container embodying my new design;

FIG. 2 is a front view thereof, and a rear view thereof is symmetrical to the front view;

FIG. 3 is a top plan view thereof;

FIG. 4 is a bottom plan view thereof;

FIG. 5 is a left side view thereof;

FIG. 6 is a right side view thereof;

FIG. 7 is a cross sectional view thereof taken along line 7—7 in FIG. 2; and,

FIG. 8 is a cross sectional view thereof taken along line 8—8 in FIG. 5.

1 Claim, 7 Drawing Sheets

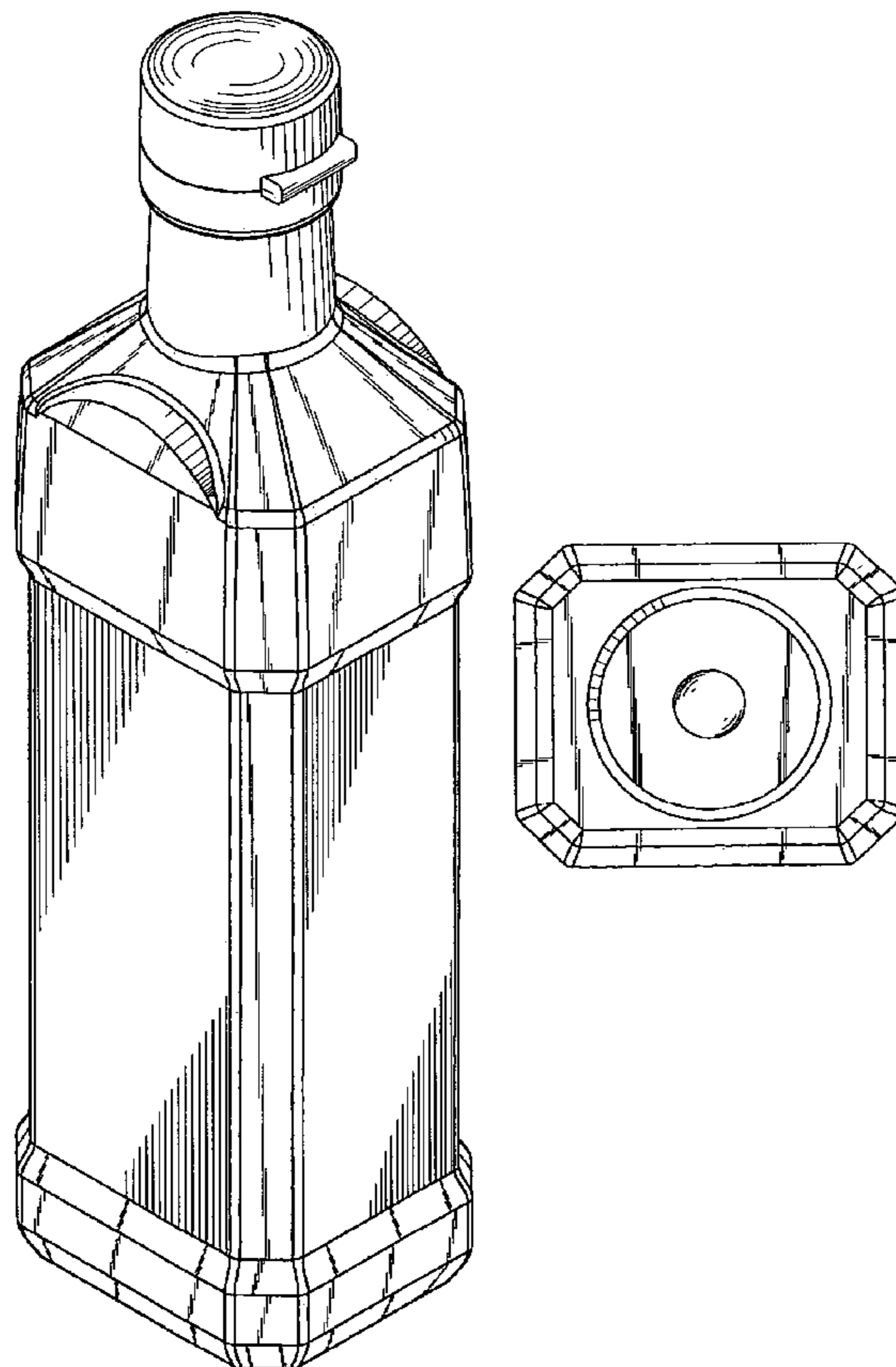


FIG. 1

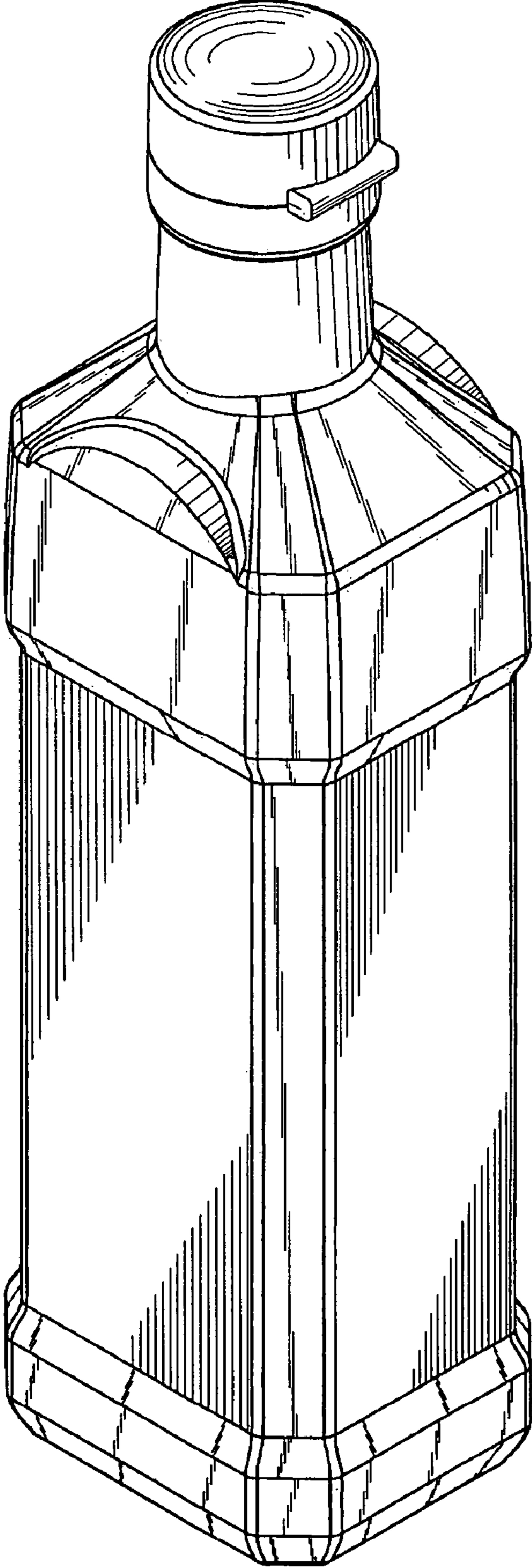


FIG. 2

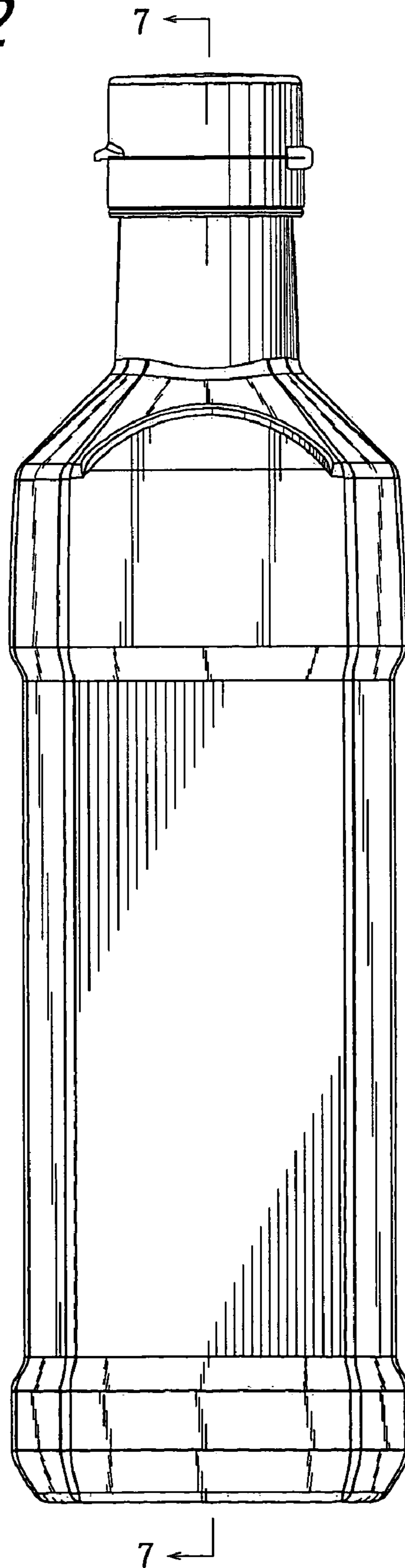


FIG. 3

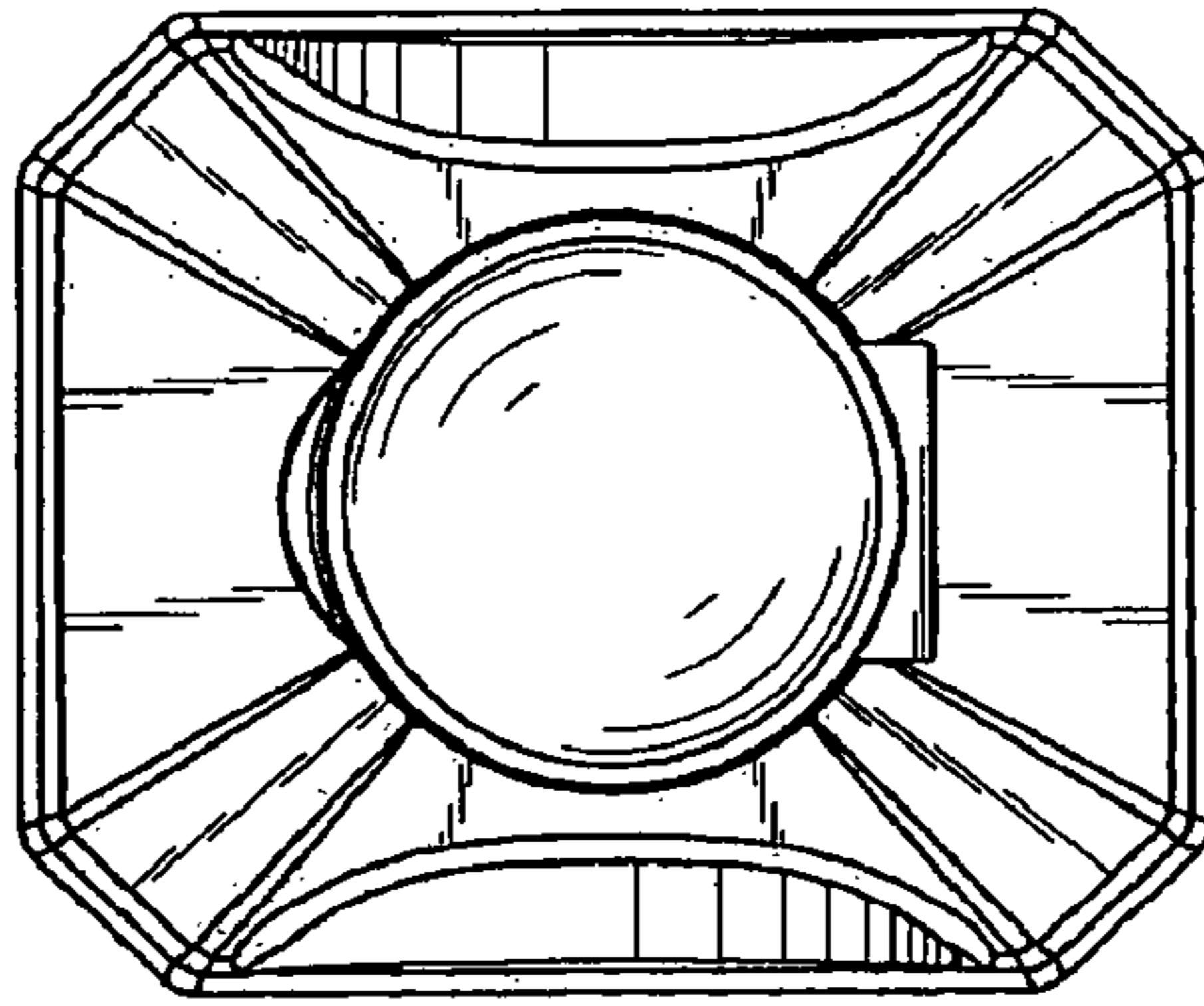


FIG. 4

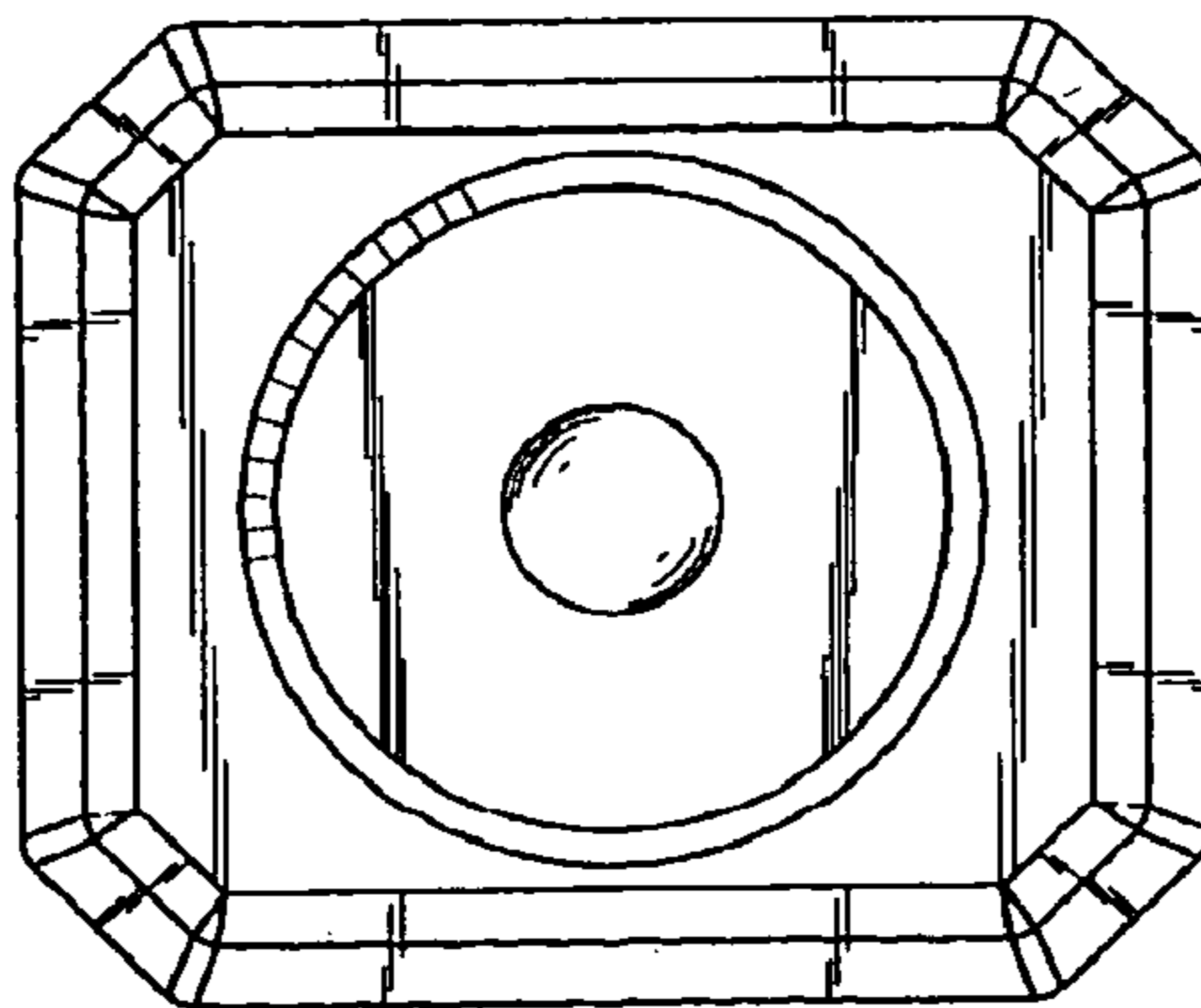


FIG. 5

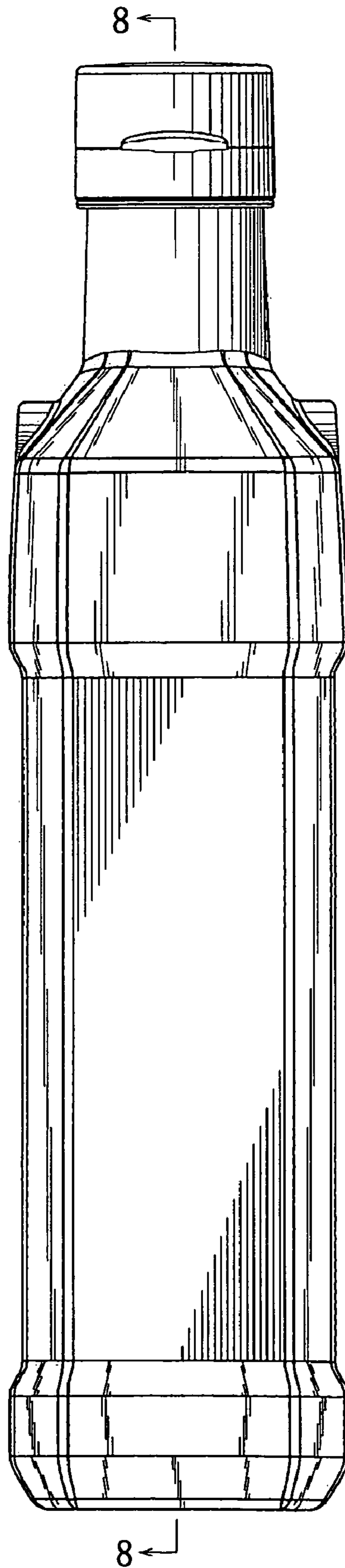


FIG. 6

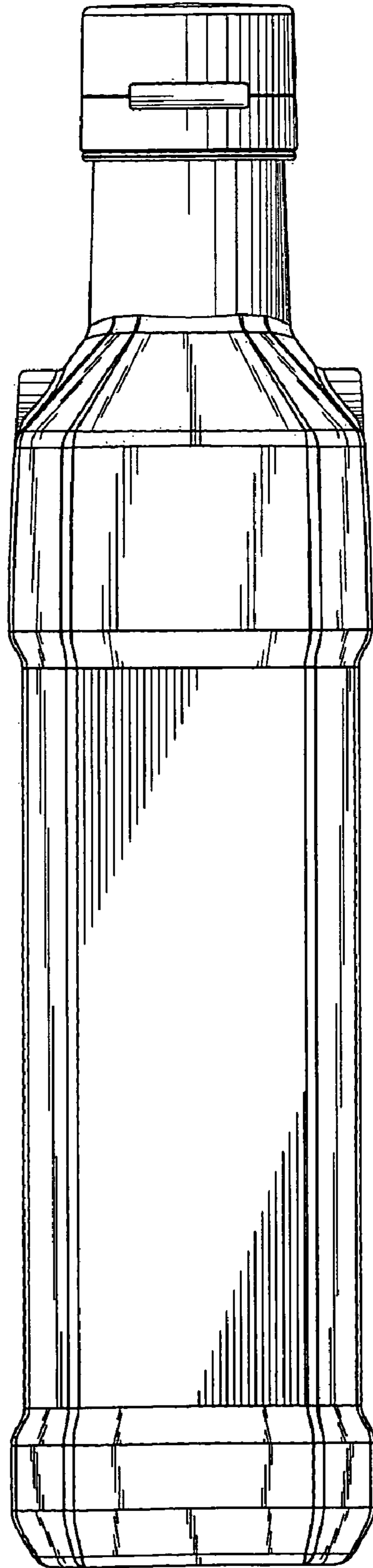


FIG. 7

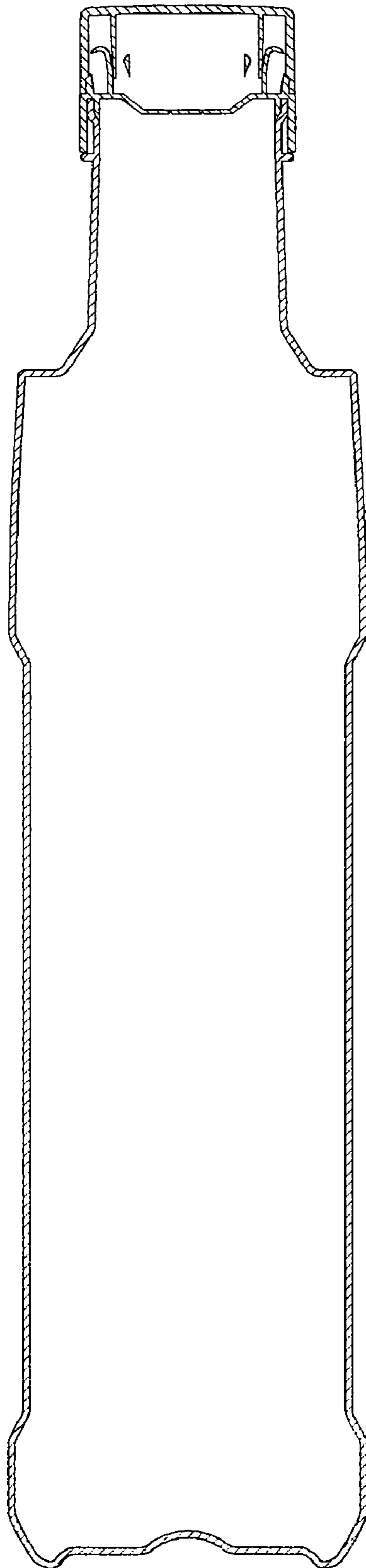


FIG. 8

