



US00D614028S

(12) **United States Design Patent**  
**Daniel et al.**

(10) **Patent No.:** **US D614,028 S**  
(45) **Date of Patent:** **\*\* Apr. 20, 2010**

(54) **LID WITH A REMOVABLE PROTECTIVE COVER**

2006/0096983 A1\* 5/2006 Patterson ..... 220/253  
2009/0308882 A1\* 12/2009 Hundley ..... 220/712

(76) Inventors: **Isaac S. Daniel**, 200 S. Biscayne Blvd., Suite 2650, Miami, FL (US) 33131;  
**Peter Mastrorio**, 370 W. Camino Gardens Blvd., 3rd Floor, Boca Raton, FL (US) 33432

\* cited by examiner

*Primary Examiner*—Susan Bennett Hattan  
(74) *Attorney, Agent, or Firm*—Carol N. Green, Esq.

(\*\*) Term: **14 Years**

(21) Appl. No.: **29/315,604**

(22) Filed: **Jul. 9, 2009**

(51) **LOC (9) Cl.** ..... **09-07**

(52) **U.S. Cl.** ..... **D9/449; D9/457**

(58) **Field of Classification Search** ..... D9/454,  
D9/449, 447, 443, 438, 435; D7/608, 510,  
D7/396.2, 392.1; 229/906.1; 220/713, 712,  
220/711, 270, 254.1–254.9

See application file for complete search history.

(56) **References Cited**

**U.S. PATENT DOCUMENTS**

D101,166 S *	9/1936	Forsberg .....	D9/454
D281,758 S *	12/1985	Trombly .....	D7/392.1
D379,928 S *	6/1997	Freek et al. ....	D9/447
D402,556 S *	12/1998	Frye .....	D9/447
D437,223 S *	2/2001	Coy et al. ....	D9/447
D468,206 S *	1/2003	Weiss et al. ....	D9/447
D516,424 S *	3/2006	Schweigert et al. ....	D9/447
D533,452 S *	12/2006	Vogel .....	D9/449
D537,717 S *	3/2007	Notarianni .....	D9/449
D543,777 S *	6/2007	Seum et al. ....	D7/392.1
D591,151 S *	4/2009	Freeman .....	D9/447
D591,595 S *	5/2009	Tedford, Jr. ....	D9/447
D592,056 S *	5/2009	Tedford, Jr. ....	D9/447

(57) **CLAIM**

The ornamental design for a lid with a removable protective cover, as shown and described.

**DESCRIPTION**

FIG. 1 is a perspective view of a lid with a removable protective cover of the invention.

FIG. 2 is a top plan view of the invention.

FIG. 3 is a side view of the invention.

FIG. 4 is a perspective view with one flap of the invention open.

FIG. 5 is a top view with one flap of the invention open.

FIG. 6 is a side view with one flap of the invention open.

FIG. 7 is a front view with one flap of the invention open.

FIG. 8 is a perspective view with both flaps of the invention open.

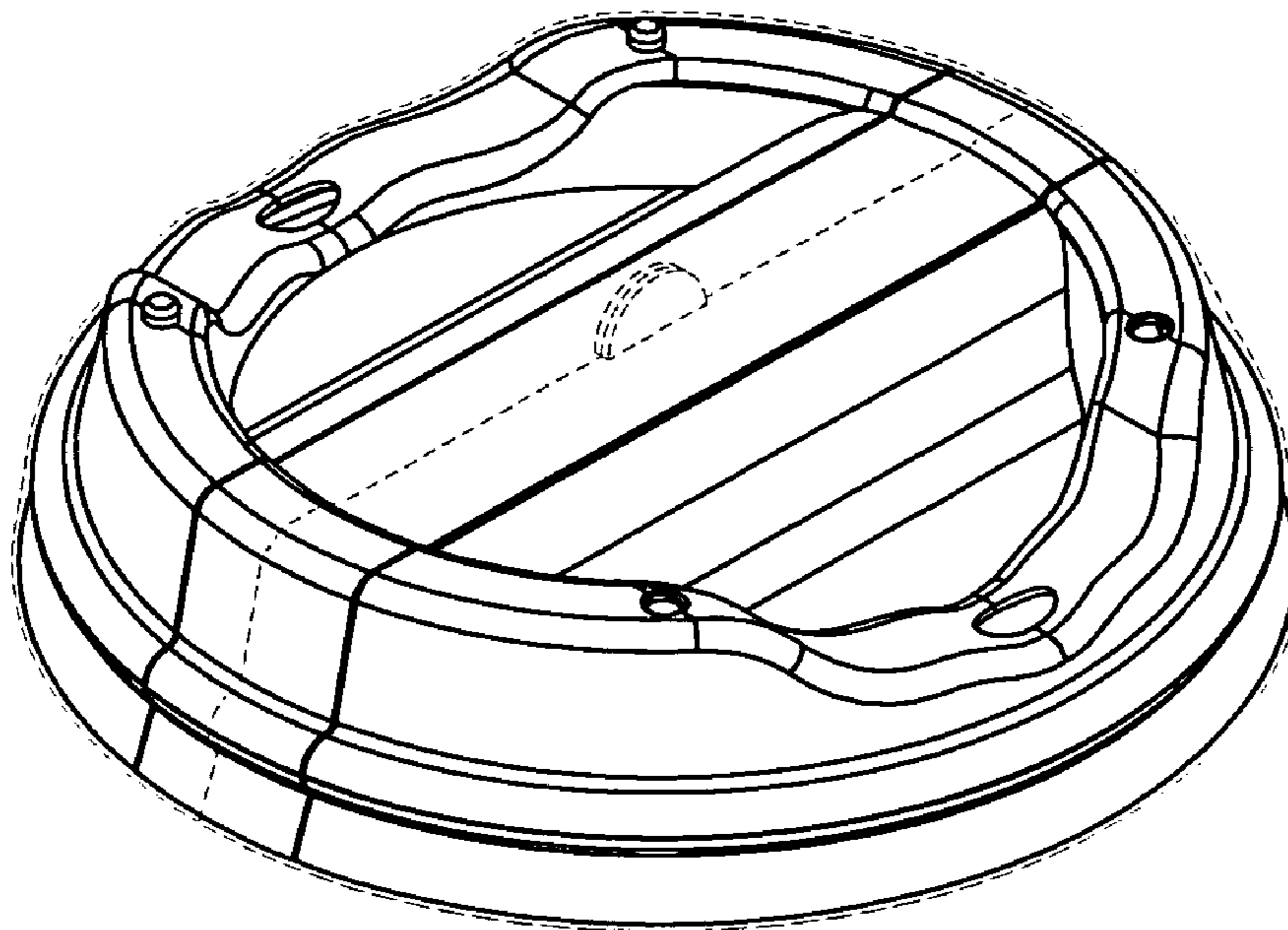
FIG. 9 is a top view with both flaps of the invention open.

FIG. 10 is a side view with both flaps of the invention open; and,

FIG. 11 is a front view with both flaps of the invention open.

The broken lines in FIGS. 1–3 depict a removable film forming part of the claimed design. FIGS. 4–11 depict the invention with the film removed.

**1 Claim, 3 Drawing Sheets**



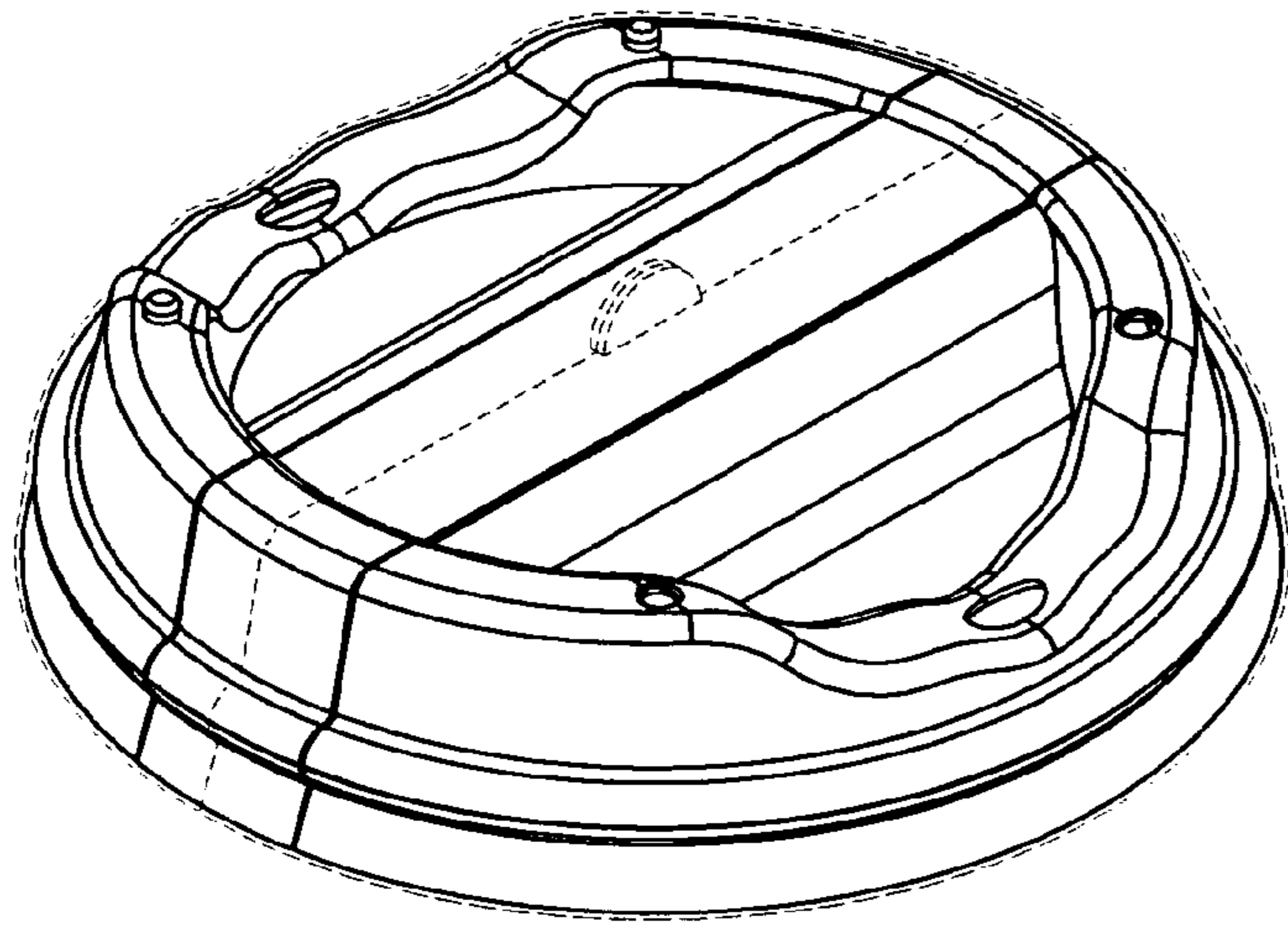


FIG. 1

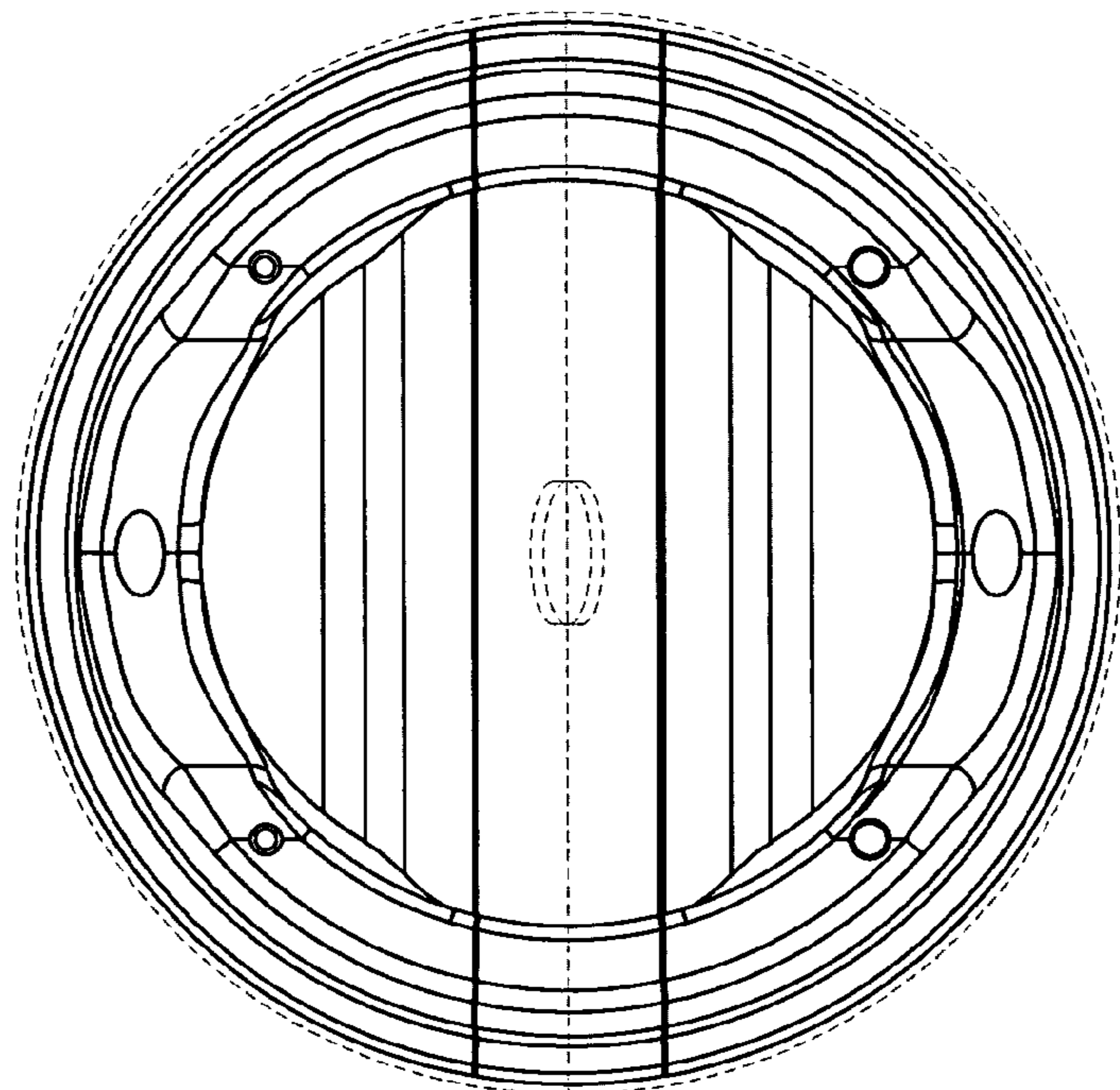


FIG. 2

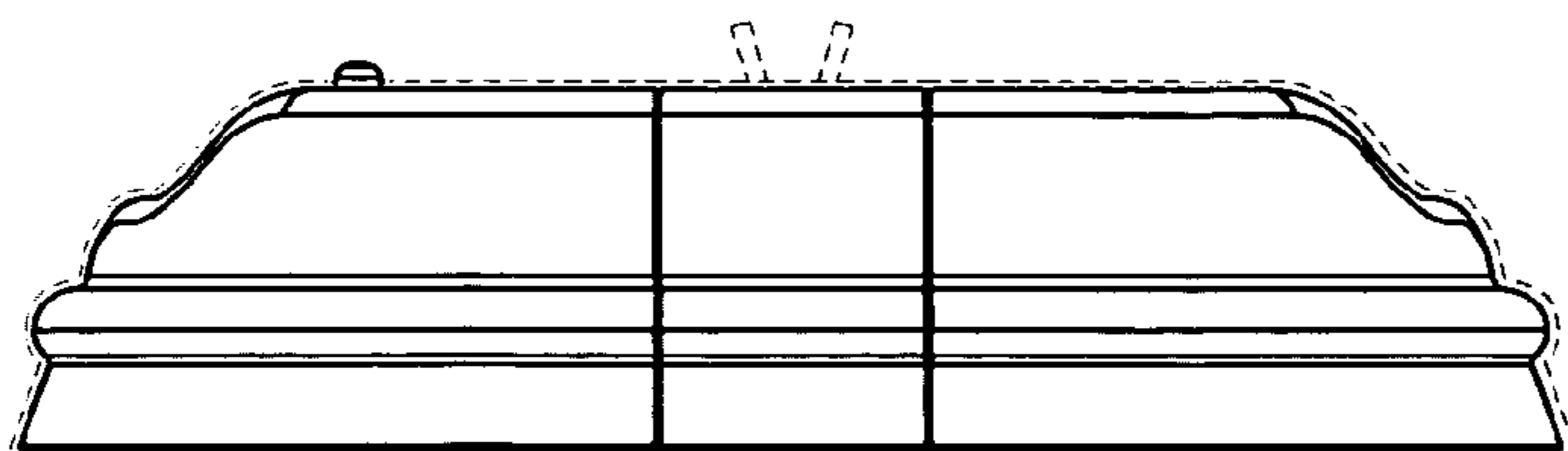


FIG. 3

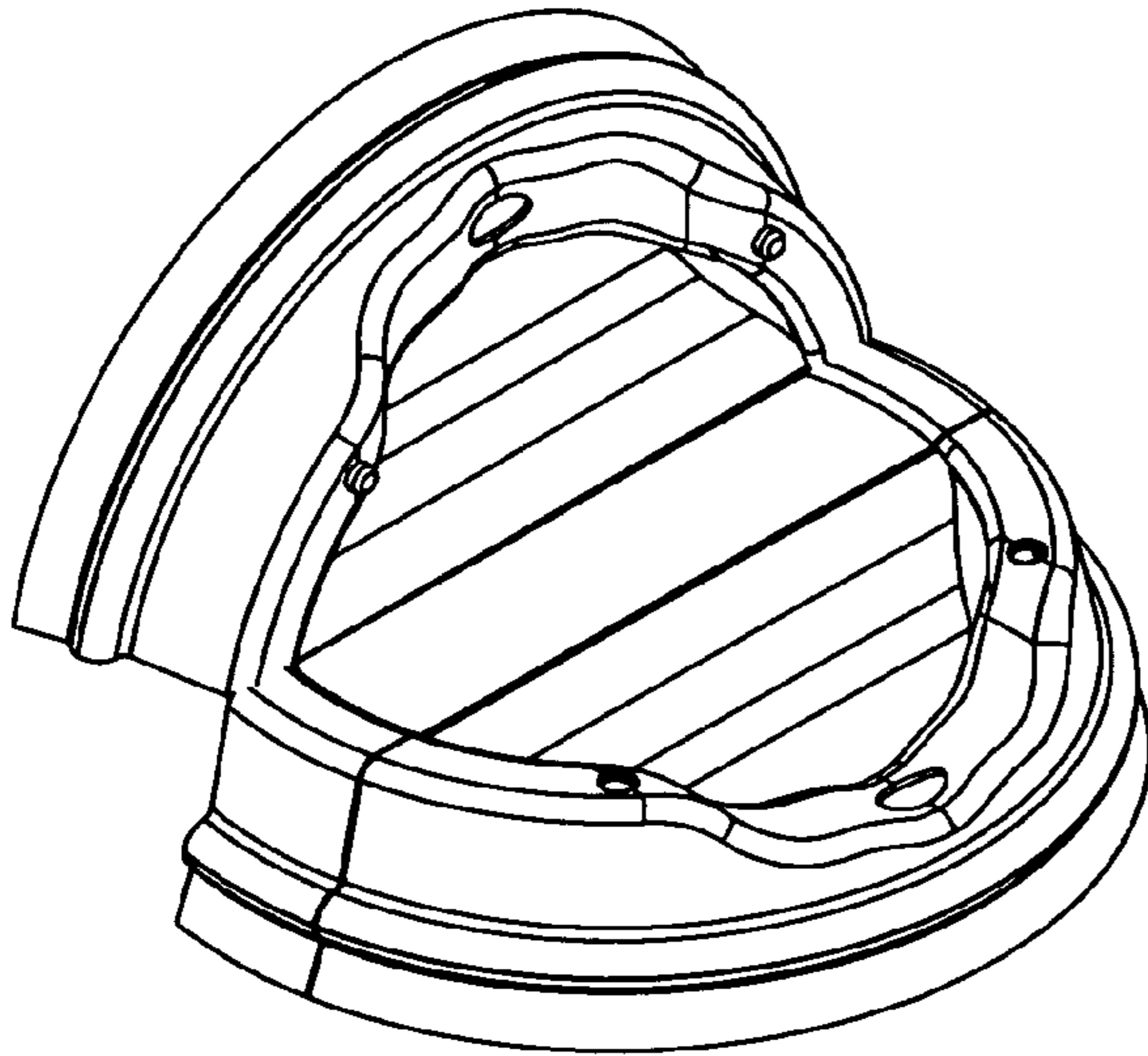


FIG. 4

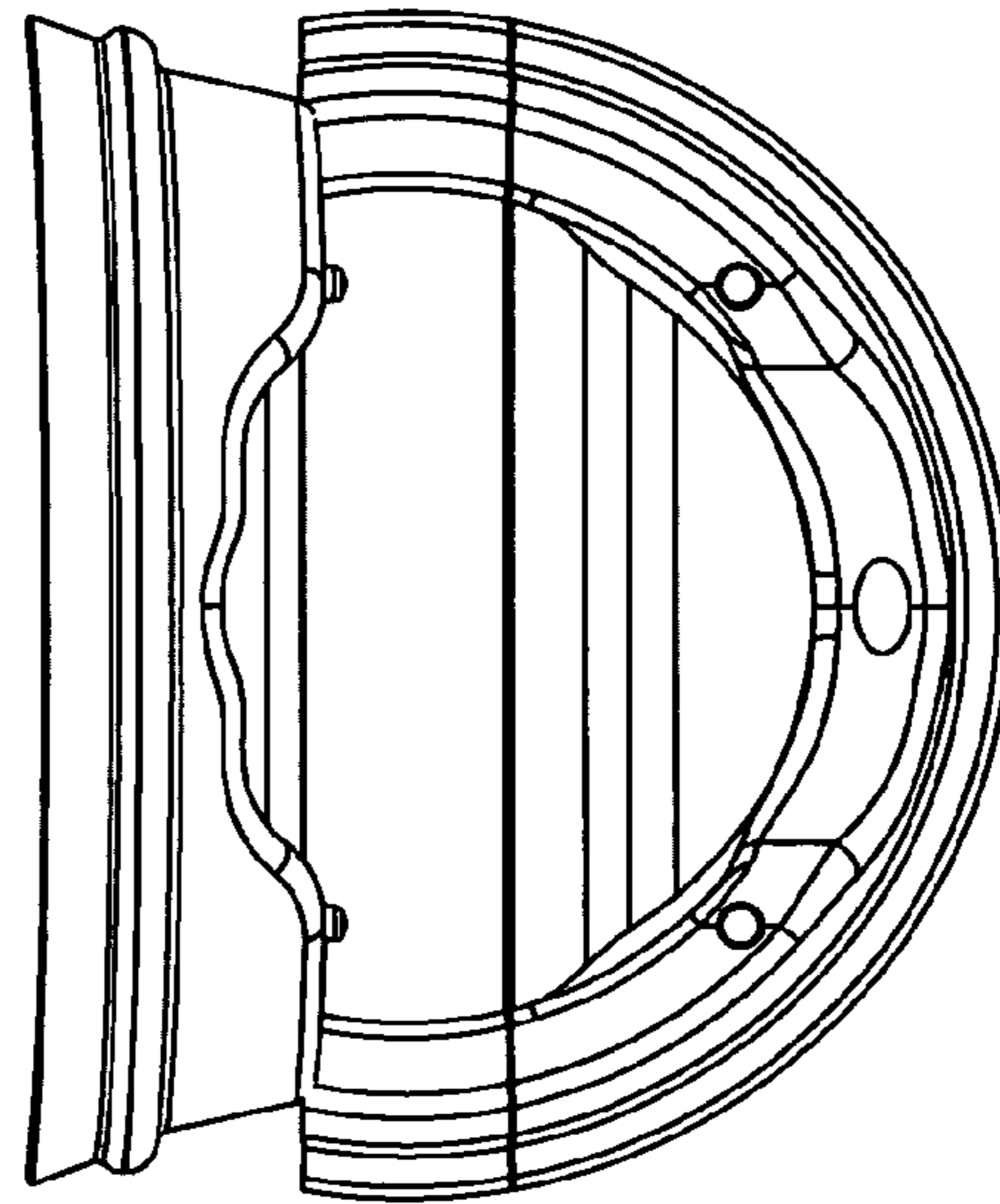


FIG. 5

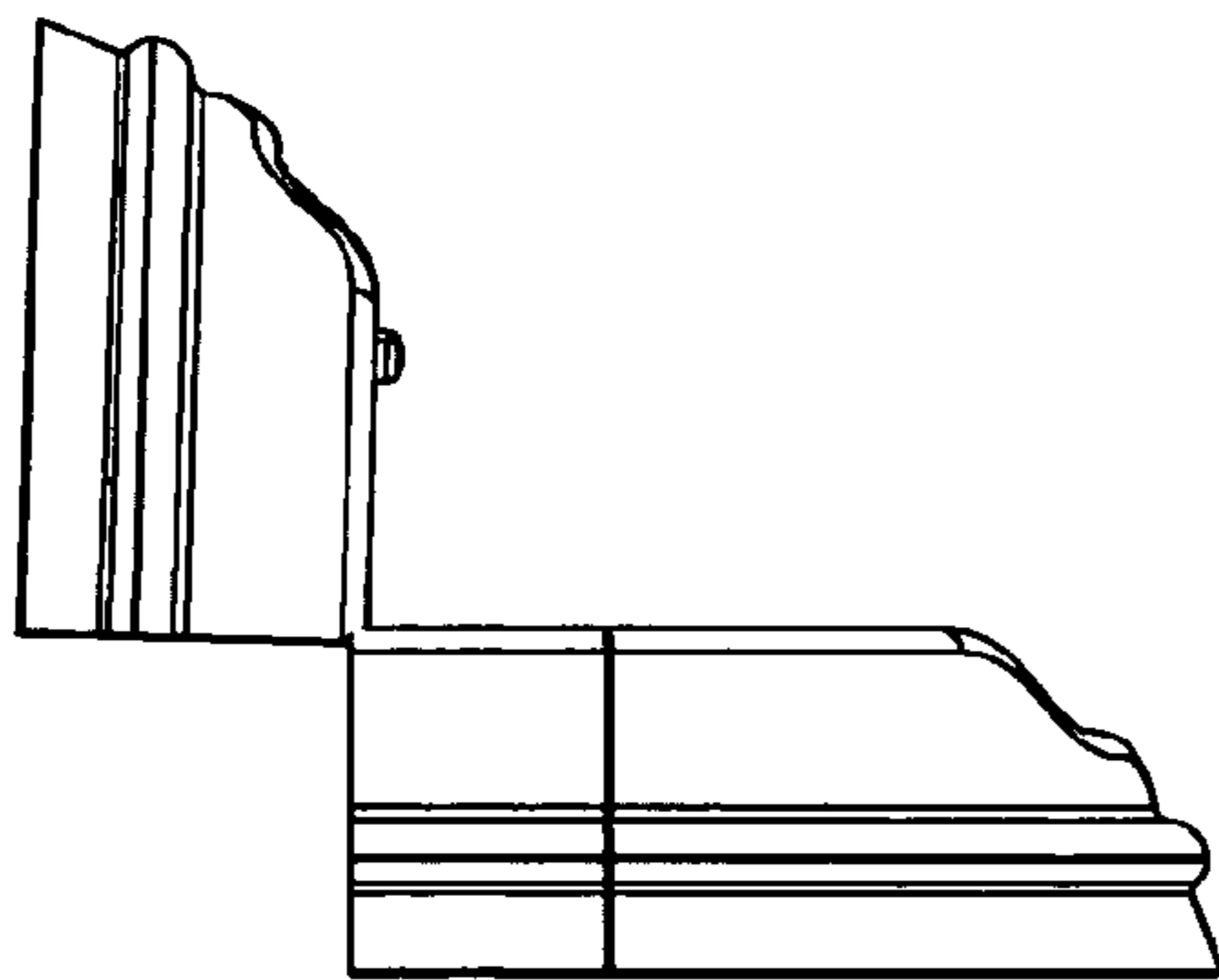


FIG. 6

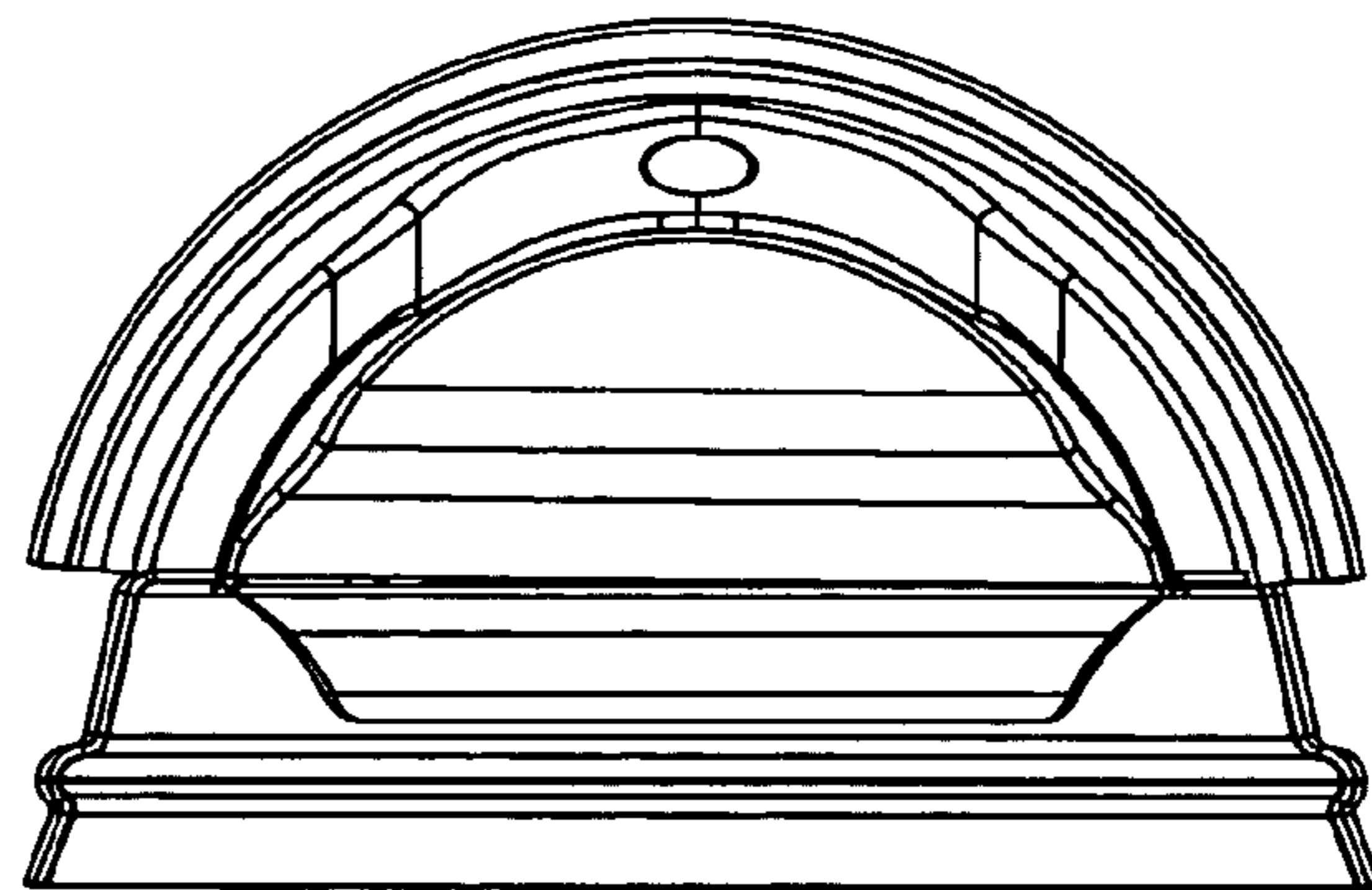


FIG. 7

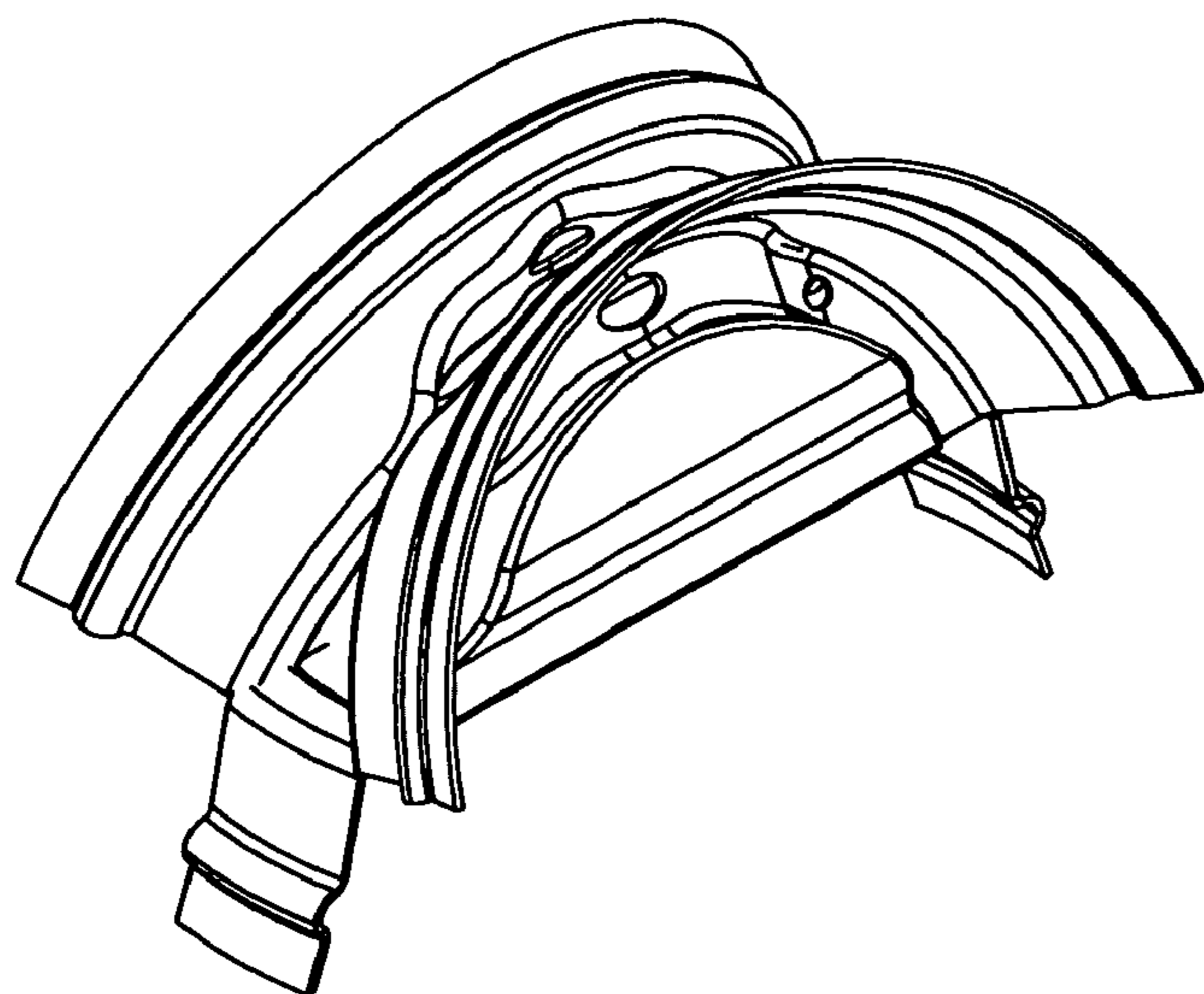


FIG. 8

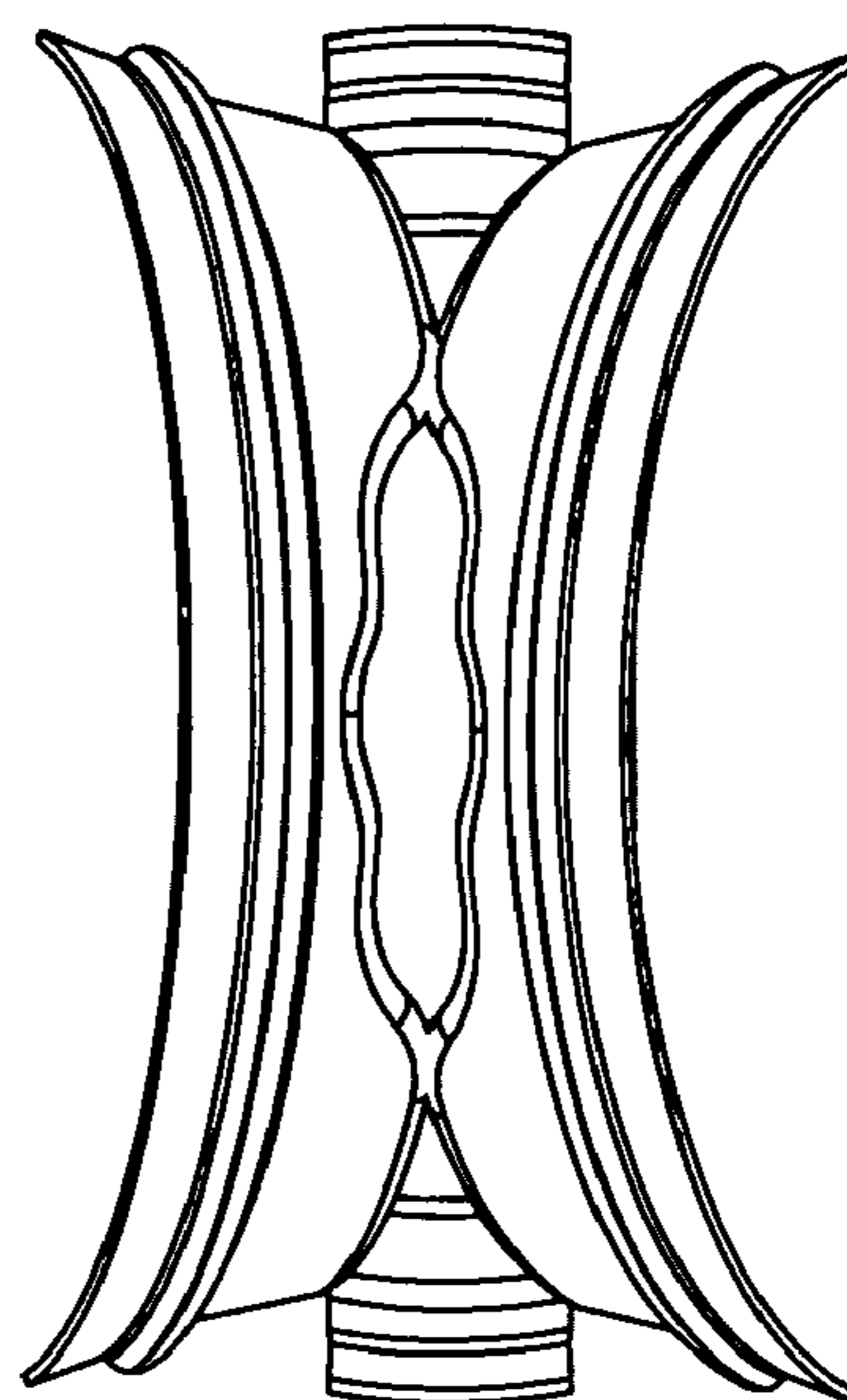


FIG. 9

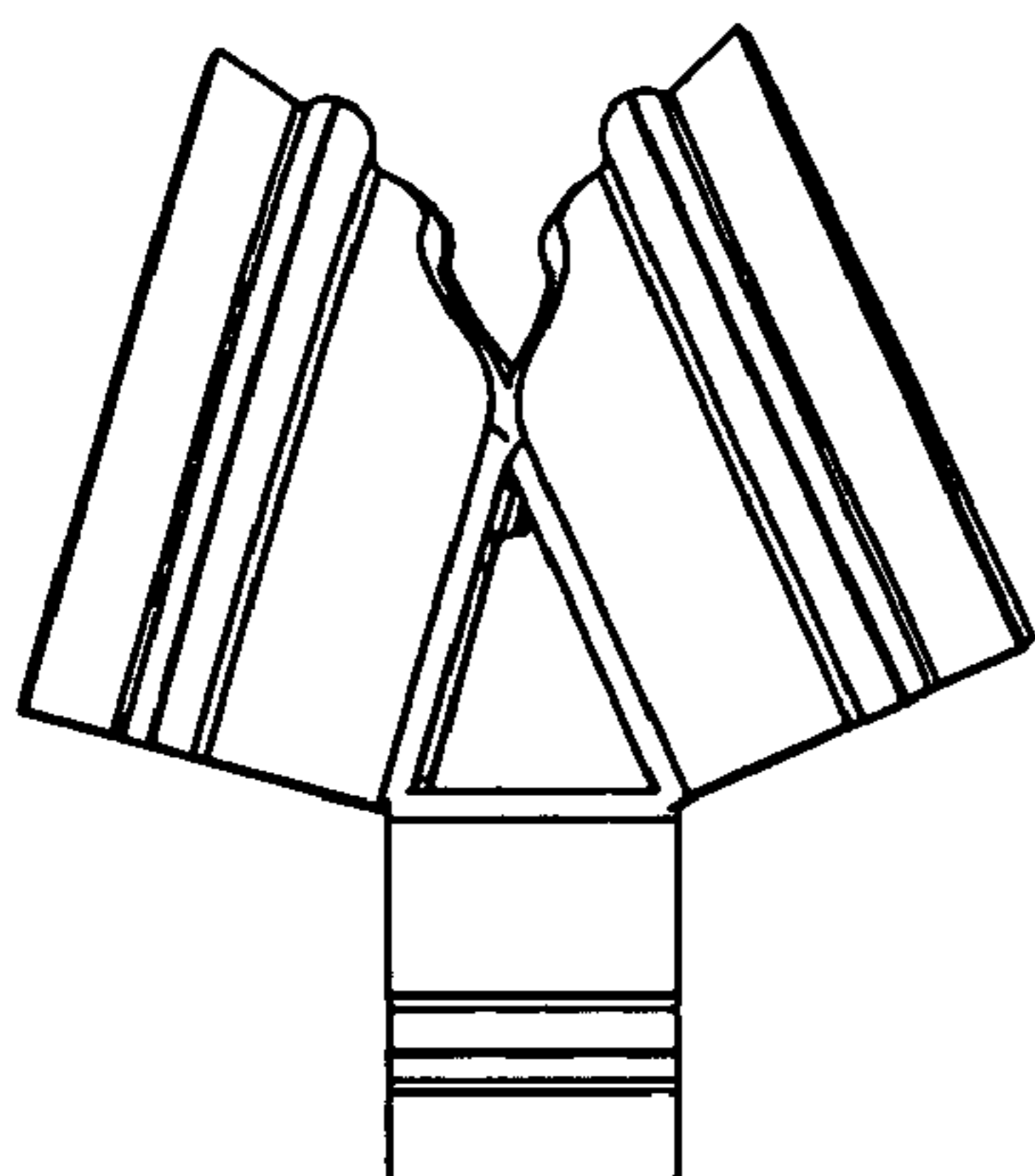


FIG. 10

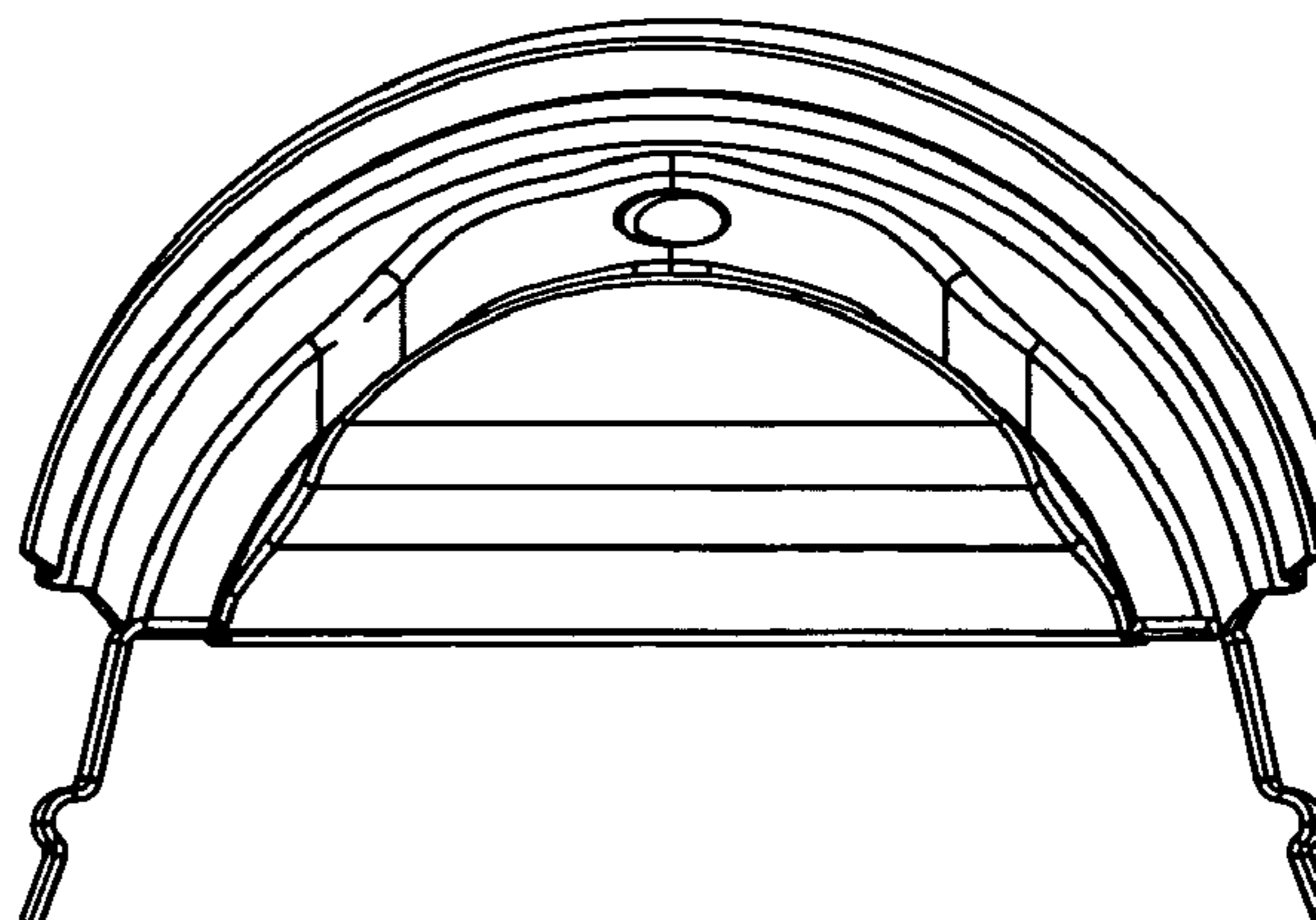


FIG. 11