



US00D614025S

(12) **United States Design Patent**
Paredes et al.

(10) **Patent No.:** **US D614,025 S**
(45) **Date of Patent:** **** Apr. 20, 2010**

(54) **FILTER PACKAGE**

FOREIGN PATENT DOCUMENTS

(75) Inventors: **Apollo Paul Paredes**, Cincinnati, OH (US); **Ivan Anderson Huber**, Cincinnati, OH (US)

WO DM-058175 * 11/2001

(73) Assignee: **PUR Water Purification Products, Inc.**, Cincinnati, OH (US)

OTHER PUBLICATIONS

Internet Cite: <http://www.target.com/Archer-Farms-Blueberry-Granola-Cereal/db/B0015R2BNG>, Jul. 31, 2009.

(**) Term: **14 Years**

(Continued)

(21) Appl. No.: **29/342,699**

Primary Examiner—Robert M Spear

Assistant Examiner—Karen Acker

(22) Filed: **Aug. 31, 2009**

(74) *Attorney, Agent, or Firm*—Cynthia L. Clay; Kelly L. McDow; Karen F. Clark

Related U.S. Application Data

(57) **CLAIM**

(62) Division of application No. 29/326,370, filed on Oct. 16, 2008, now Pat. No. Des. 603,700.

The ornamental design for a filter package, as shown and described.

(51) **LOC (9) Cl.** **09-03**

(52) **U.S. Cl.** **D9/432**

(58) **Field of Classification Search** D9/430–433, D9/414, 418, 420–423; D3/272; 206/278, 206/297, 299, 457, 770, 737, 822; 229/100, 229/101, 101.3, 106, 108, 108.1, 116.1, 116.3, 229/116.5, 121, 122, 201, 213, 221, 222, 229/227, 922, 939, 942

DESCRIPTION

See application file for complete search history.

FIG. 1 is a perspective view of an embodiment of a filter package illustrating our new design;

FIG. 2 is a front side elevational view thereof;

FIG. 3 is a back side elevational view thereof;

FIG. 4 is a left side elevational view thereof;

FIG. 5 is a right side elevational view thereof;

FIG. 6 is a top planar view thereof;

FIG. 7 is a bottom planar view thereof;

FIG. 8 is a perspective view of the filter package of FIG. 1, wherein a top portion and a bottom portion of the filter package are illustrated in a separated orientation;

FIG. 9 is a front side elevational view thereof;

FIG. 10 is a back side elevational view thereof;

FIG. 11 is a left side elevational view thereof;

FIG. 12 is a right side elevational view thereof;

FIG. 13 is a top planar view thereof; and,

FIG. 14 is a bottom planar view thereof.

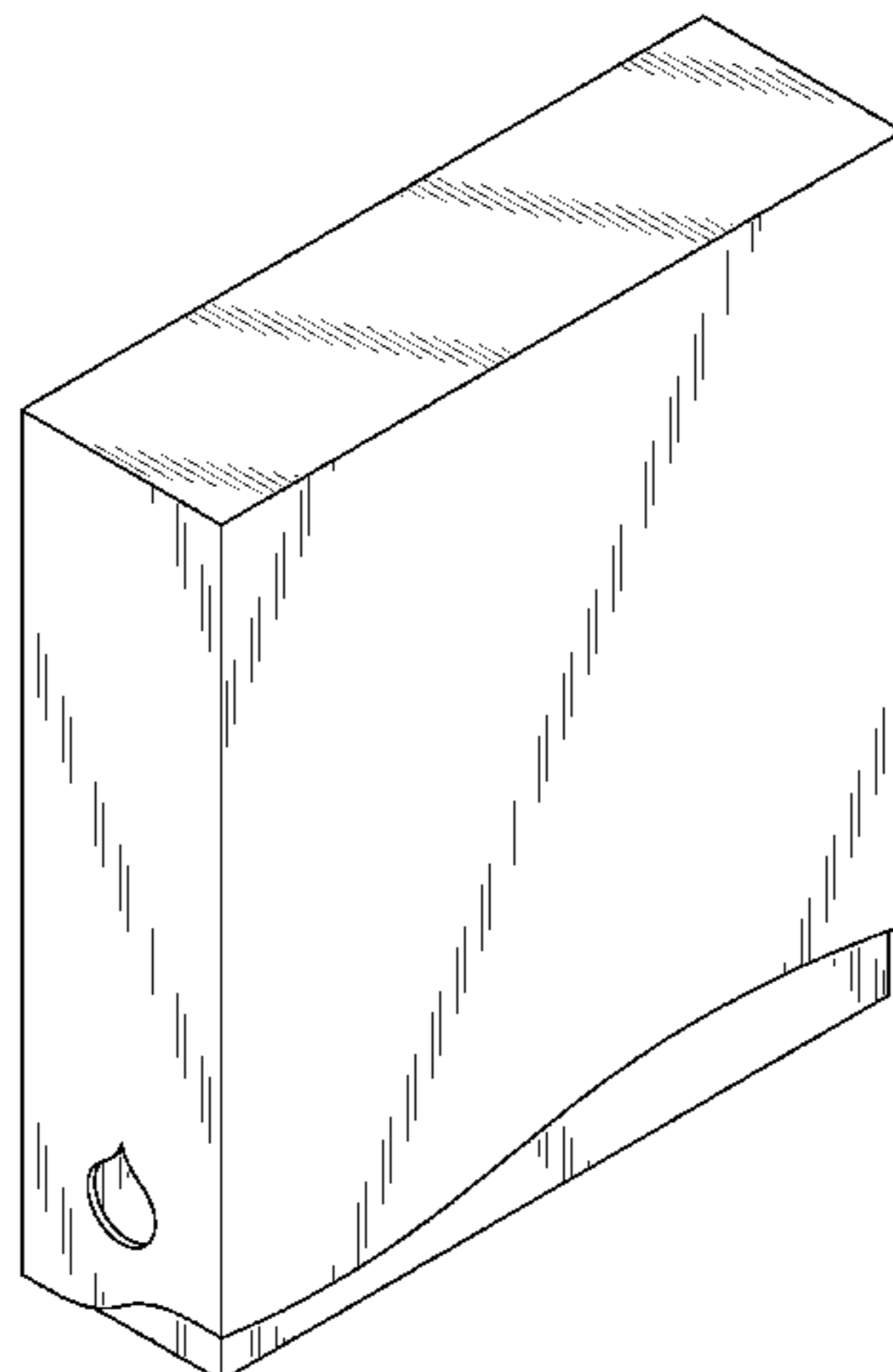
(56) **References Cited**

U.S. PATENT DOCUMENTS

960,922 A	6/1910	Hirschwitz et al.
1,158,699 A	11/1915	McCleery
1,210,127 A	12/1916	Wood
1,246,932 A	11/1917	Jones
1,358,875 A	11/1920	Reynolds
1,563,056 A	11/1925	Williams et al.
2,120,898 A	6/1938	Moore
2,120,900 A	6/1938	Moore
D141,980 S	8/1945	Holland et al.
2,387,392 A	10/1945	Hennessey et al.
D151,730 S	11/1948	Baud

(Continued)

1 Claim, 10 Drawing Sheets



US D614,025 S

Page 2

U.S. PATENT DOCUMENTS

D158,396 S	5/1950	Libson	
D285,128 S	8/1986	Yuen	
D286,506 S	11/1986	Poore et al.	
D290,582 S *	6/1987	Angerman	D9/418
D301,771 S	6/1989	Bakic	
D306,220 S	2/1990	Wang	
4,930,682 A	6/1990	Gordon et al.	
4,934,534 A	6/1990	Wagner	
D309,262 S *	7/1990	Coiner	D9/418
D345,304 S	3/1994	Leader	
D351,969 S	11/1994	Daenen et al.	
D354,221 S *	1/1995	Corella	D9/415
5,383,552 A	1/1995	Dikowitz	
D355,359 S	2/1995	Herzog	
D357,858 S	5/1995	Dikowitz	
D363,218 S	10/1995	Mann	
D405,007 S *	2/1999	Naas, Sr.	D9/414
6,073,833 A *	6/2000	Desrosiers et al.	229/235
D438,378 S	3/2001	Charness	
D444,381 S *	7/2001	Barr	D9/416
D451,019 S	11/2001	Lueders	
6,402,016 B1 *	6/2002	Lee	229/103
D464,877 S	10/2002	Weinstein et al.	
D474,109 S	5/2003	Owens	
D525,865 S *	8/2006	Cavero et al.	D9/420
7,318,523 B2	1/2008	Spatafora	
D585,758 S *	2/2009	MacGillivray	D9/621
D587,996 S *	3/2009	Steiger et al.	D9/432
D592,496 S *	5/2009	Tabrah	D9/423
7,533,773 B2 *	5/2009	Aldridge et al.	206/738
D596,024 S	7/2009	McCoy et al.	
2003/0132274 A1	7/2003	Kalberer et al.	
2004/0055909 A1	3/2004	Gamberi et al.	
2008/0308617 A1 *	12/2008	Jennings	229/125.09

OTHER PUBLICATIONS

Internet Cite: <http://www.kleenex.com/NA/Products/Kleenex-Tissues.aspx>, Jul. 31, 2009.

Internet Cite: <http://popsop.com/search/sivaris>, Jun. 2, 2008.

* cited by examiner

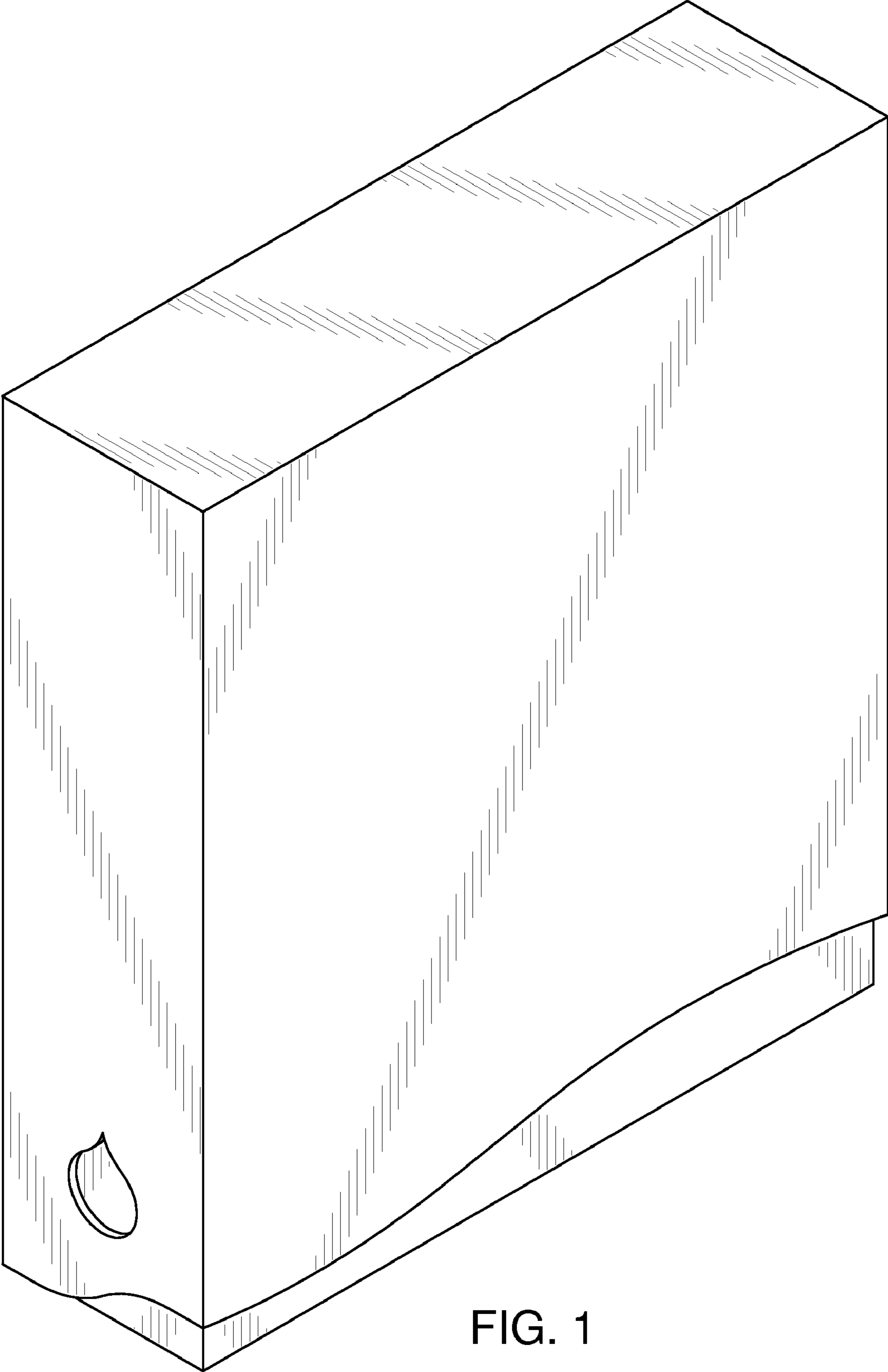


FIG. 1

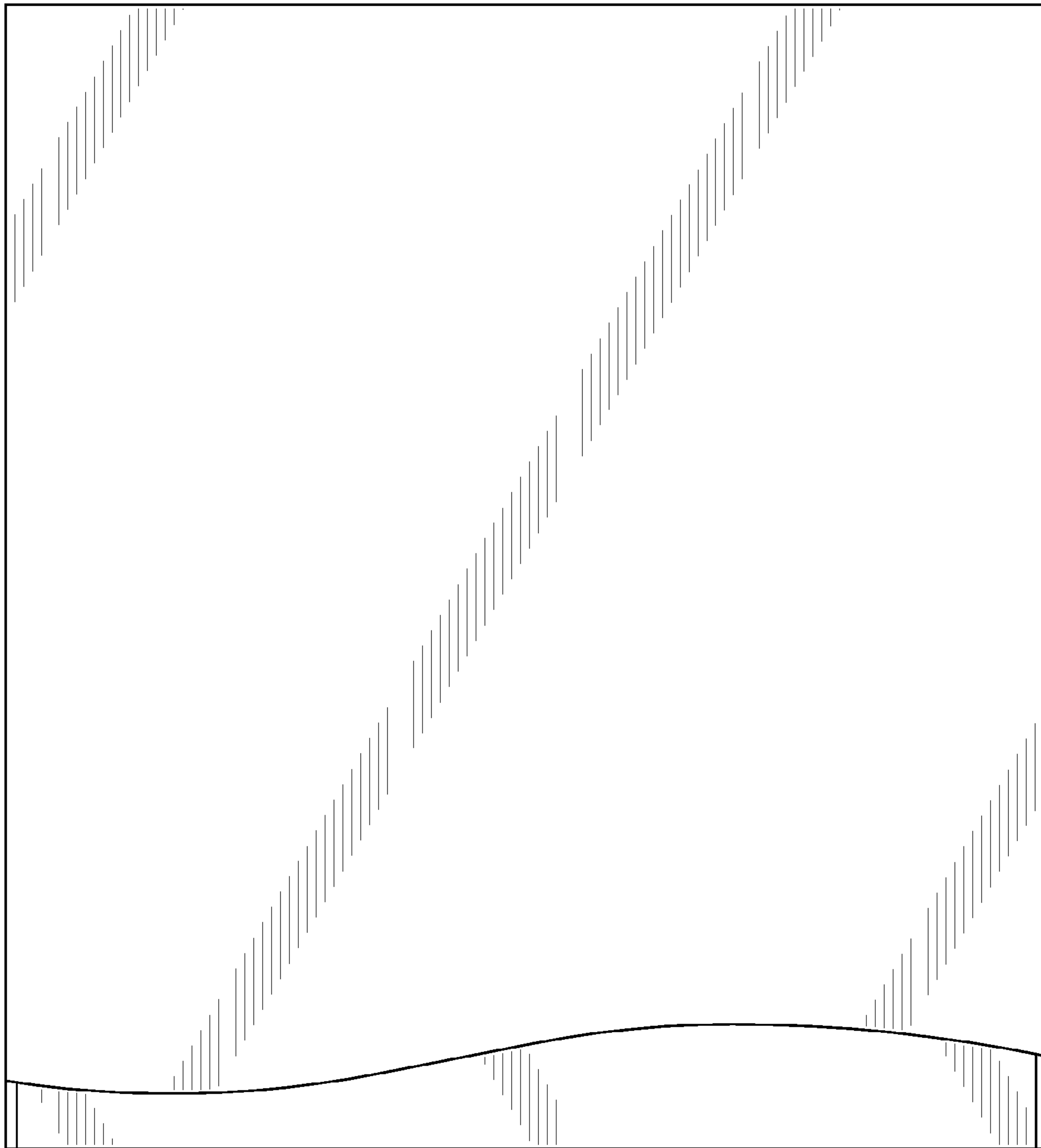


FIG. 2

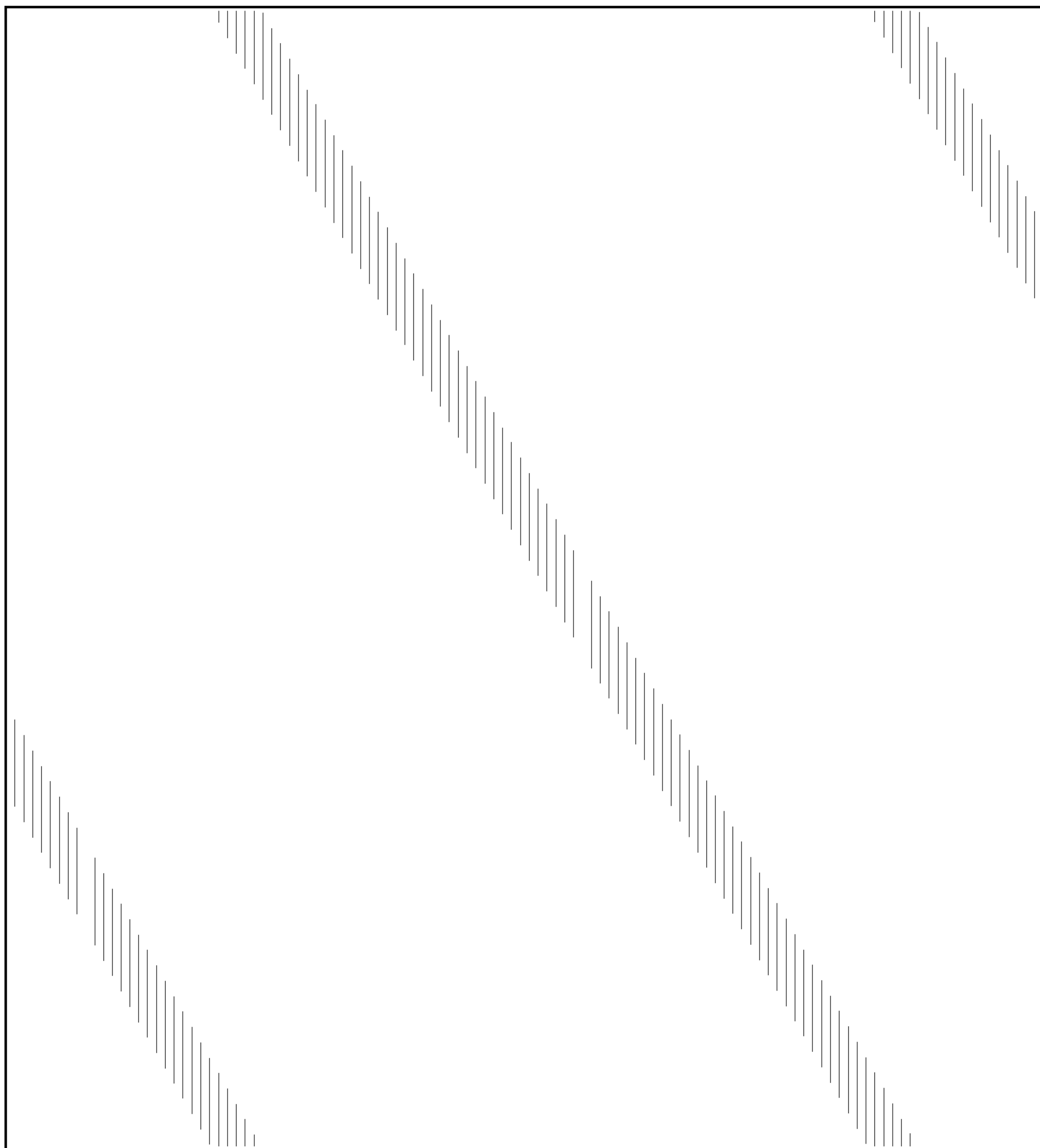


FIG. 3

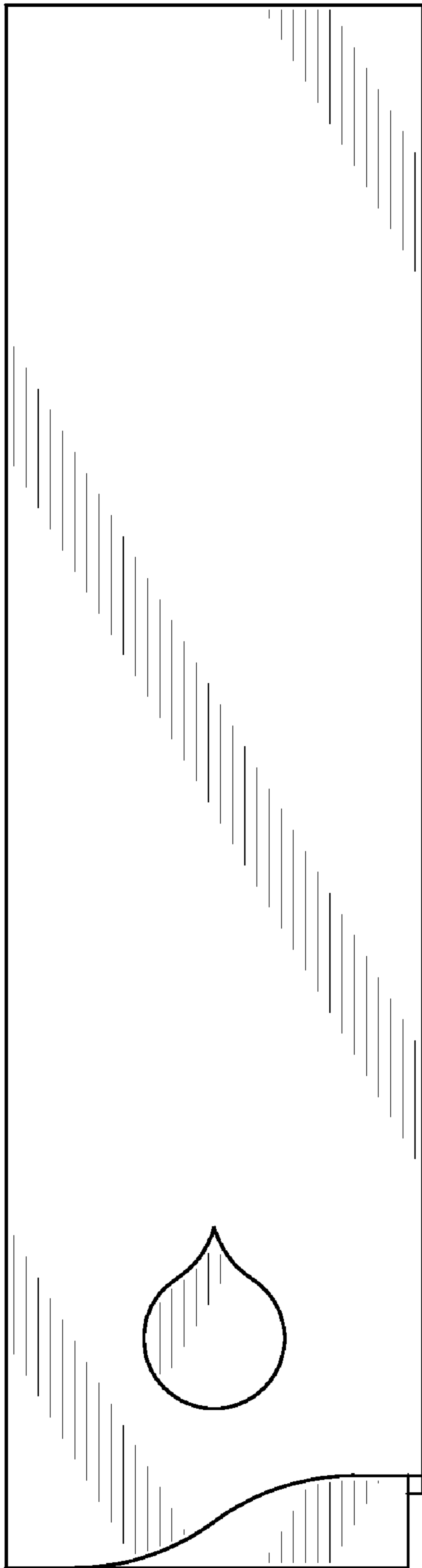


FIG. 4

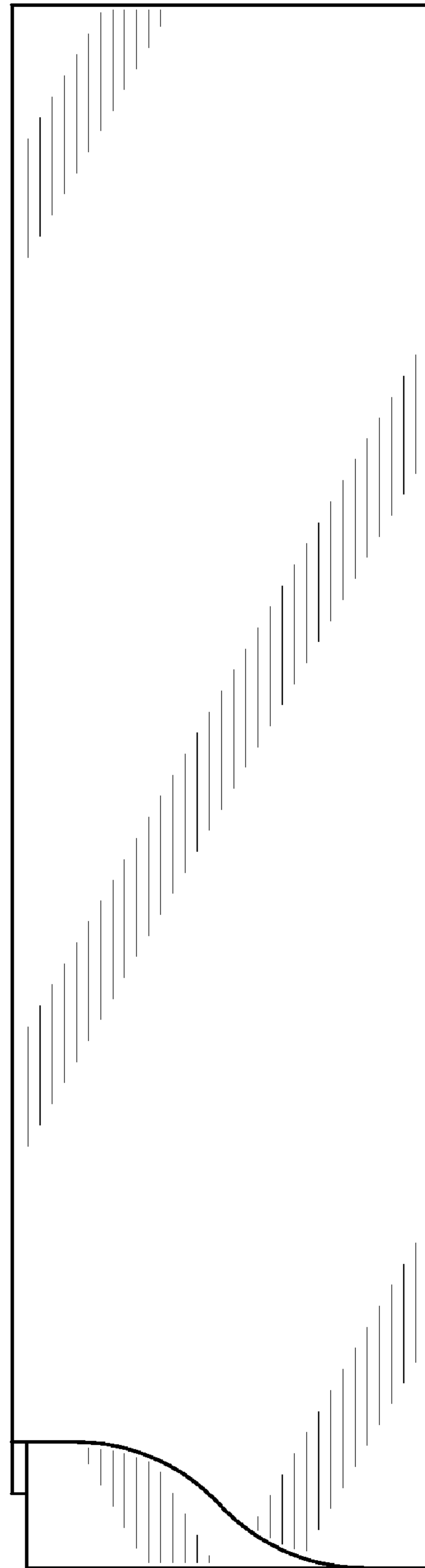


FIG. 5

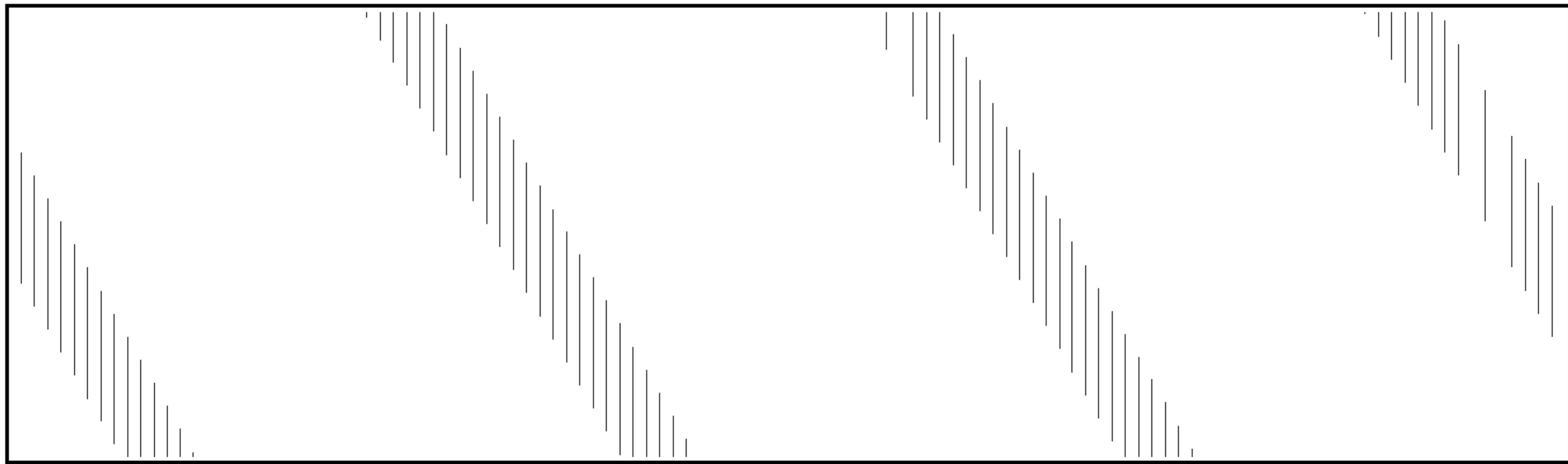


FIG. 6

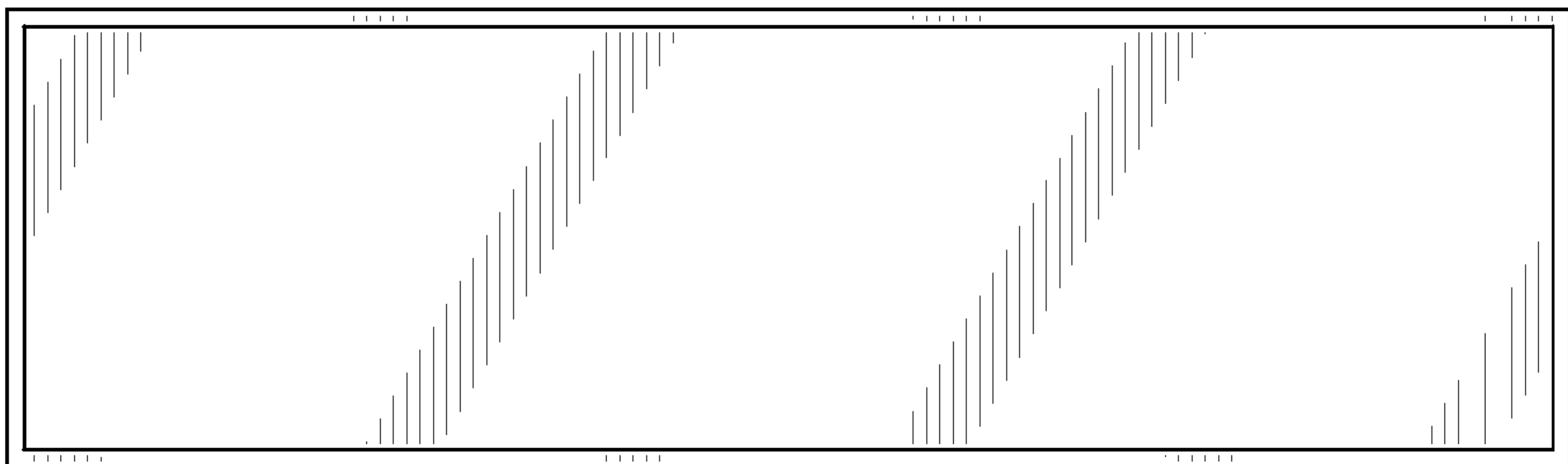


FIG. 7

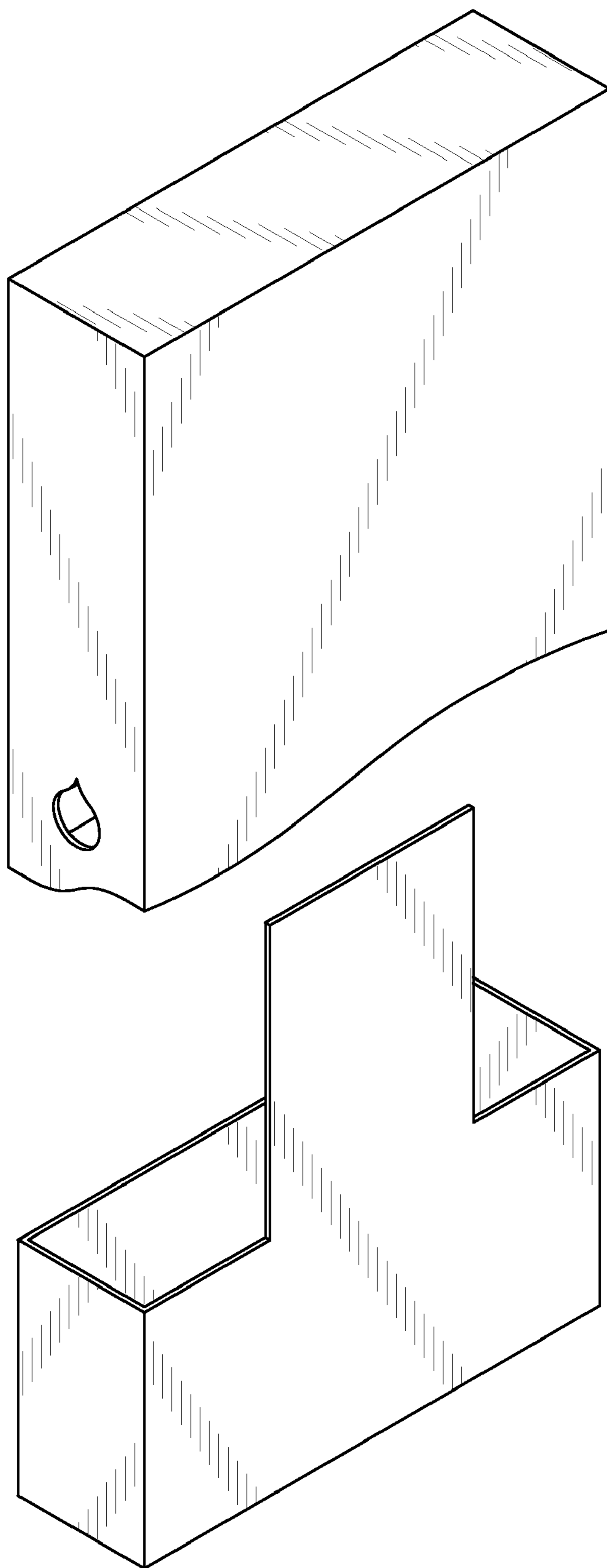


FIG. 8

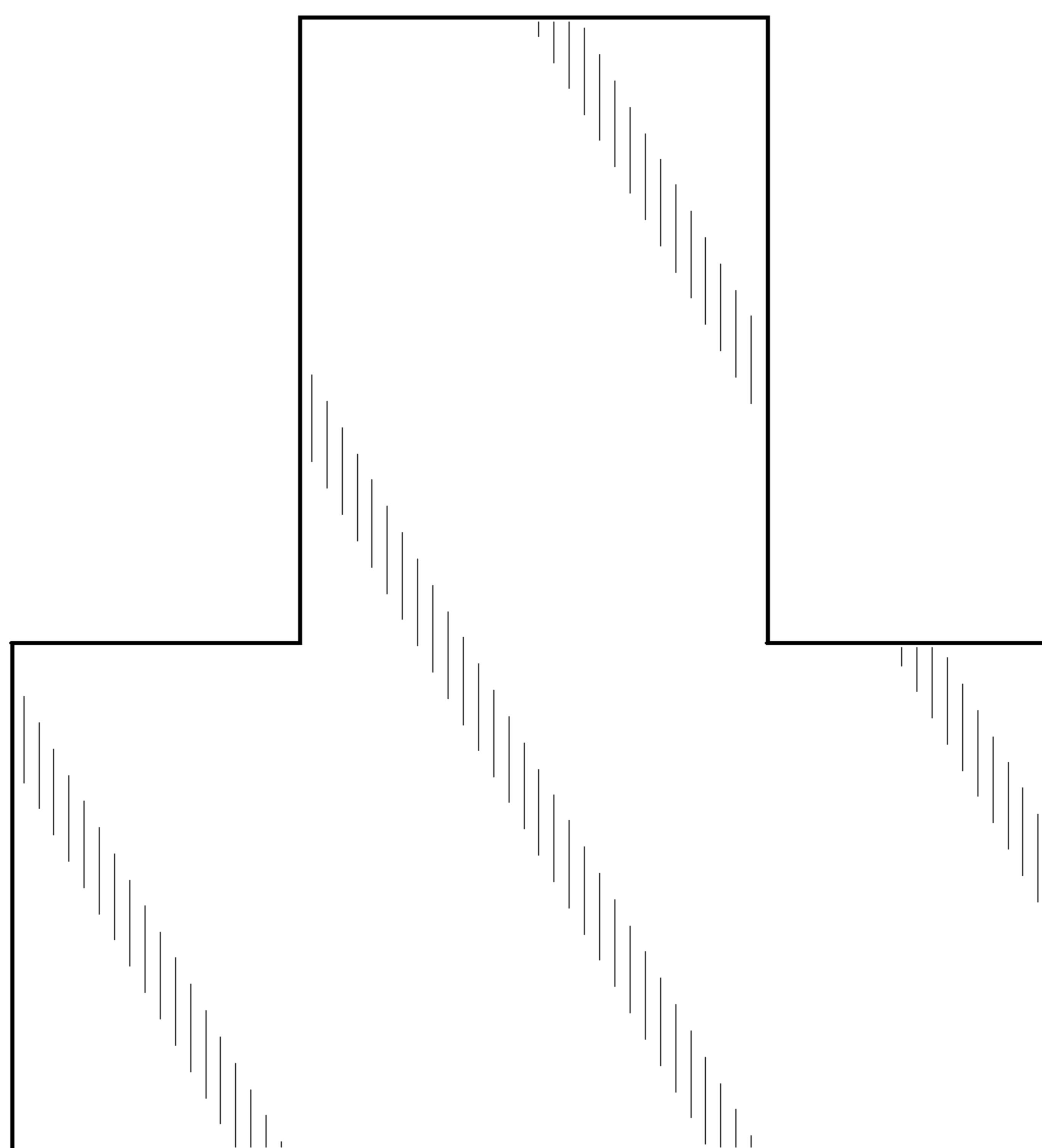
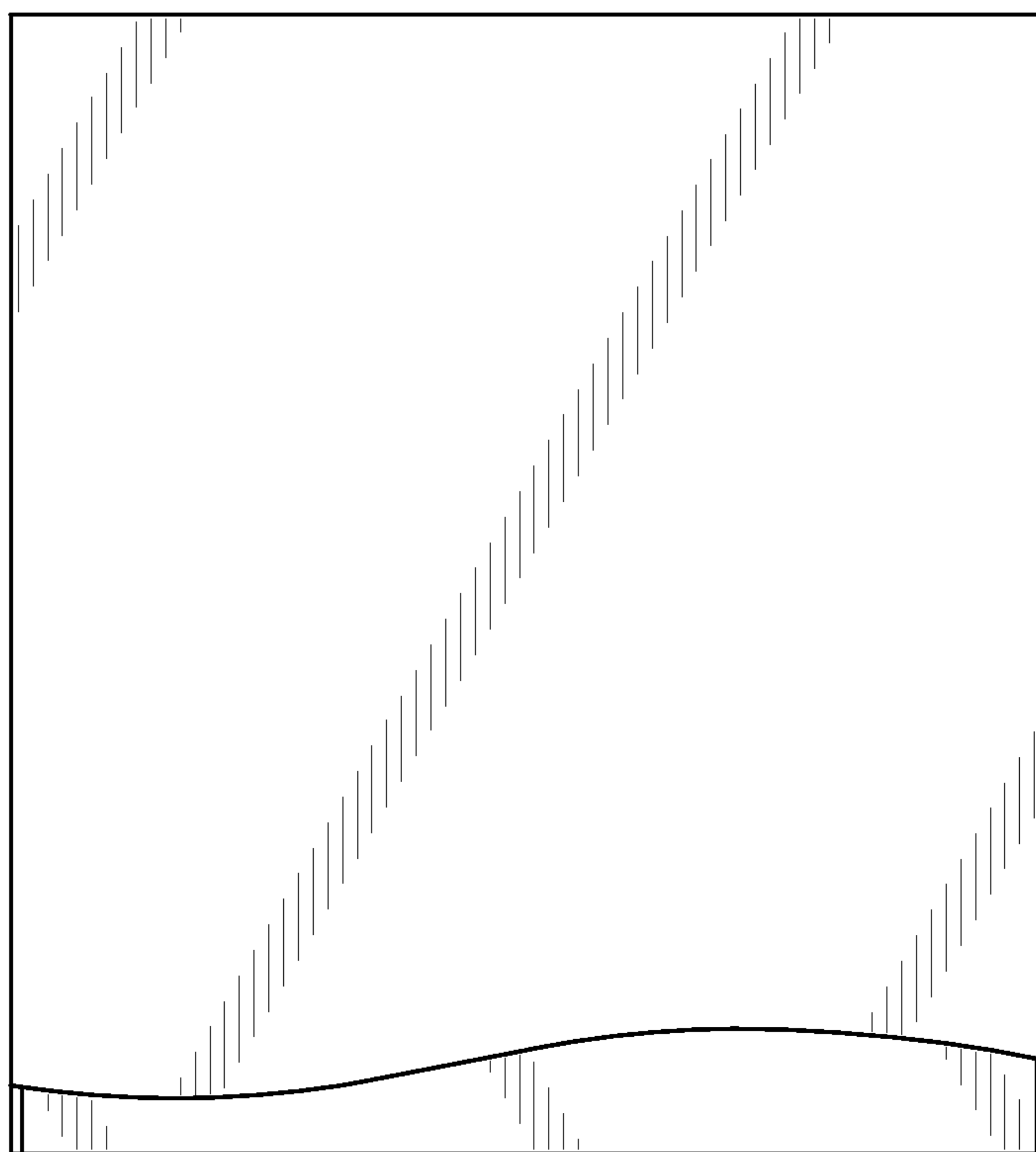


FIG. 9

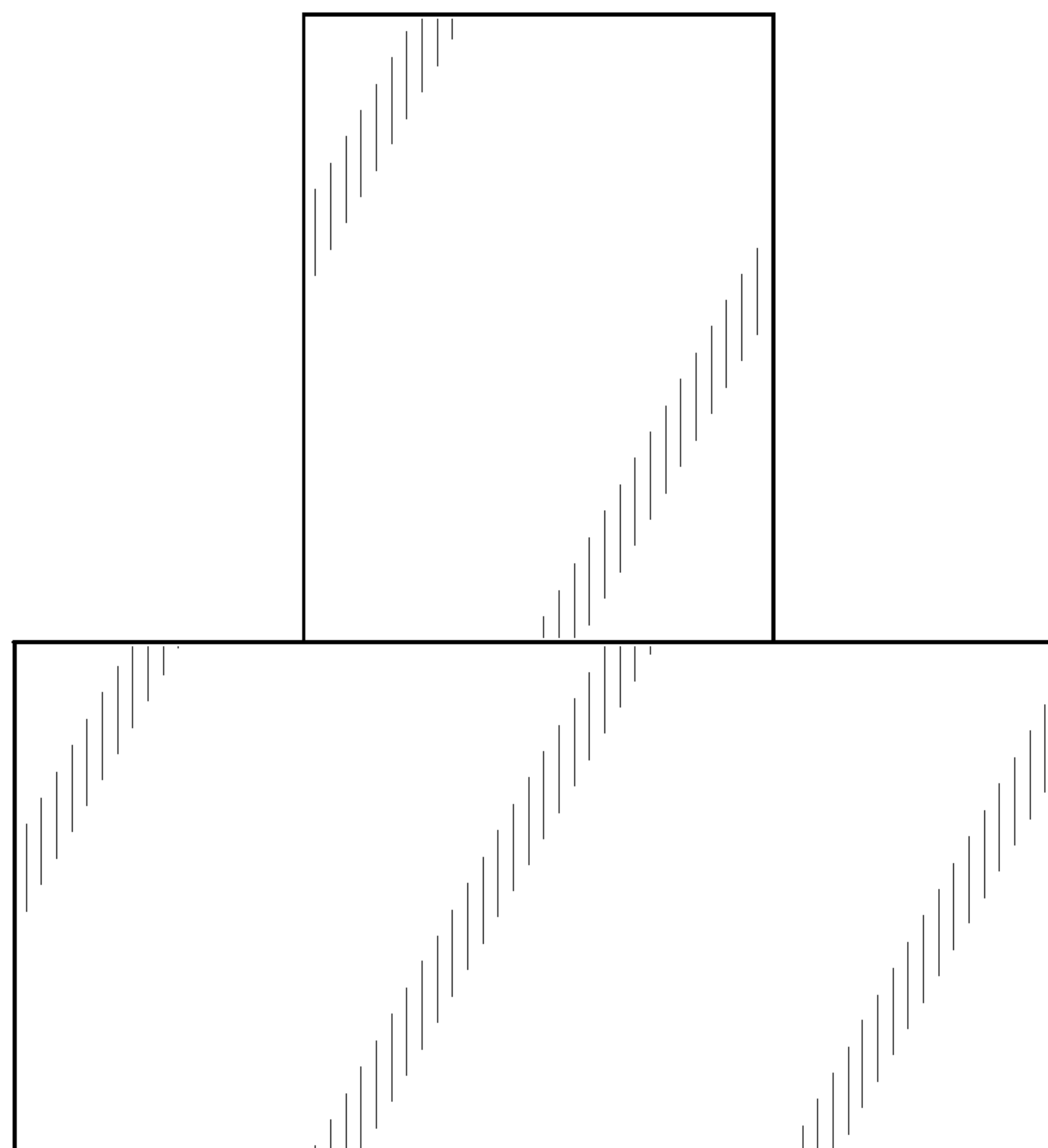
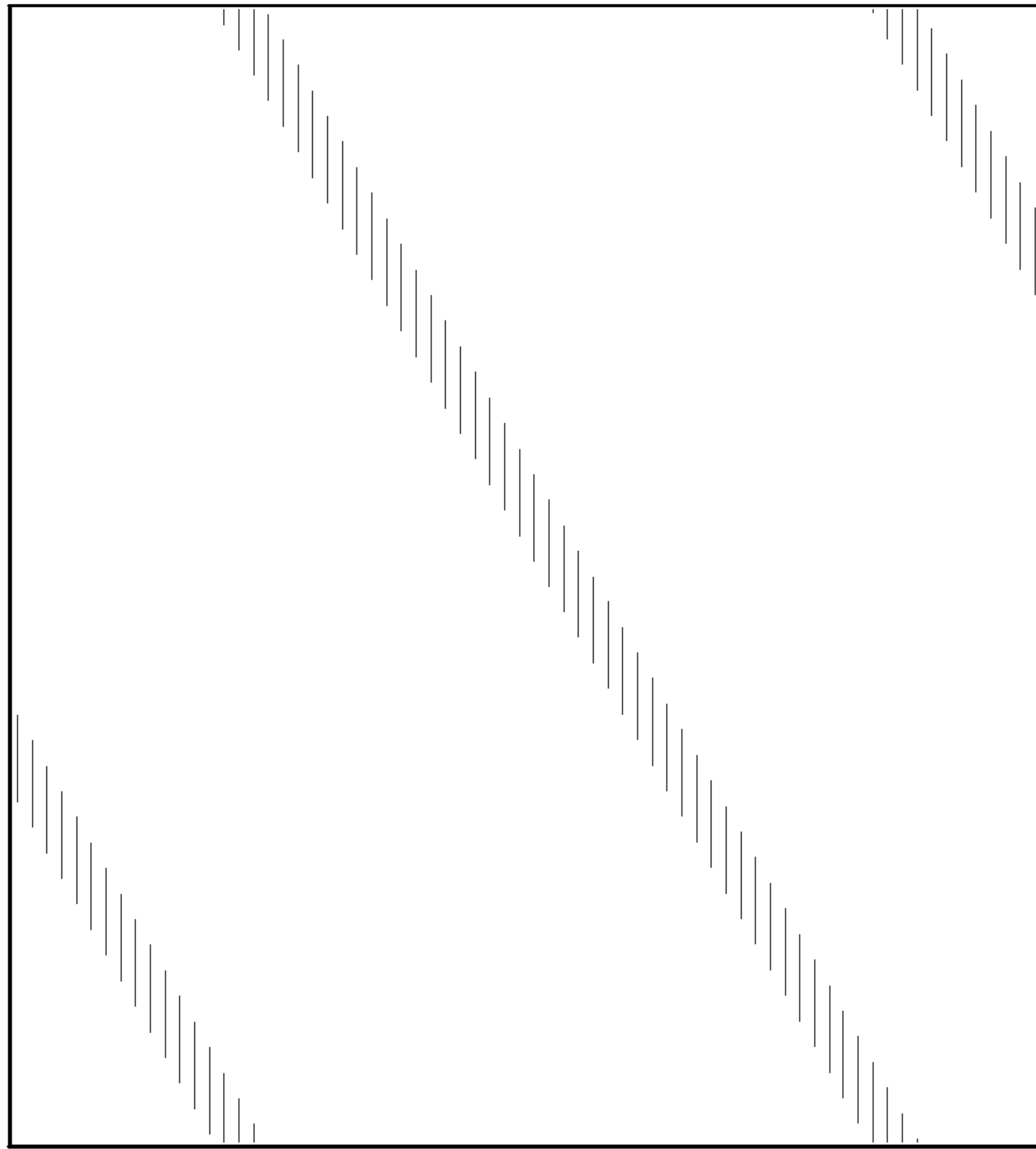


FIG. 10

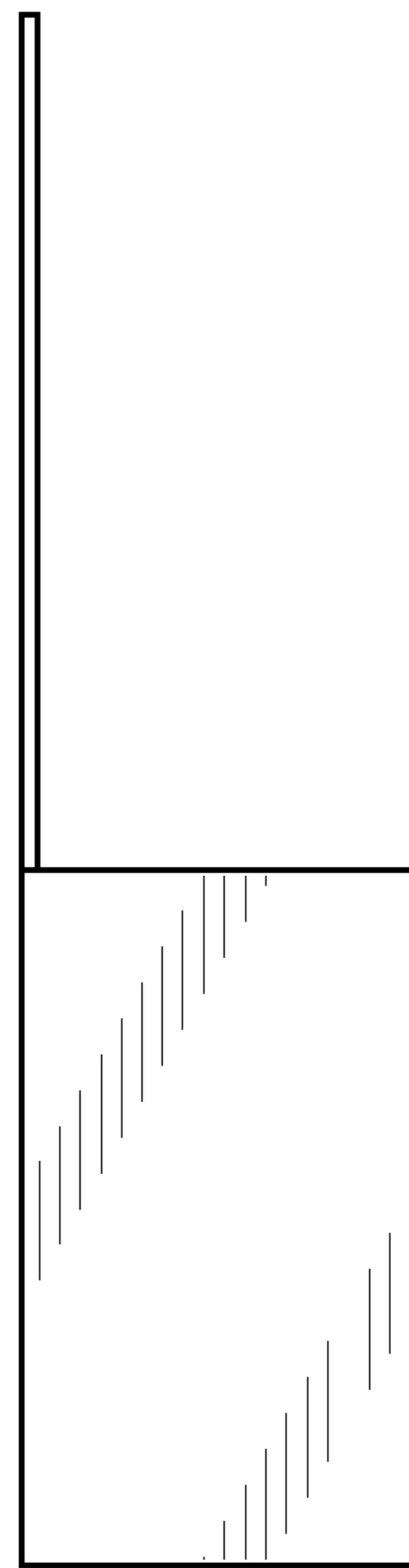
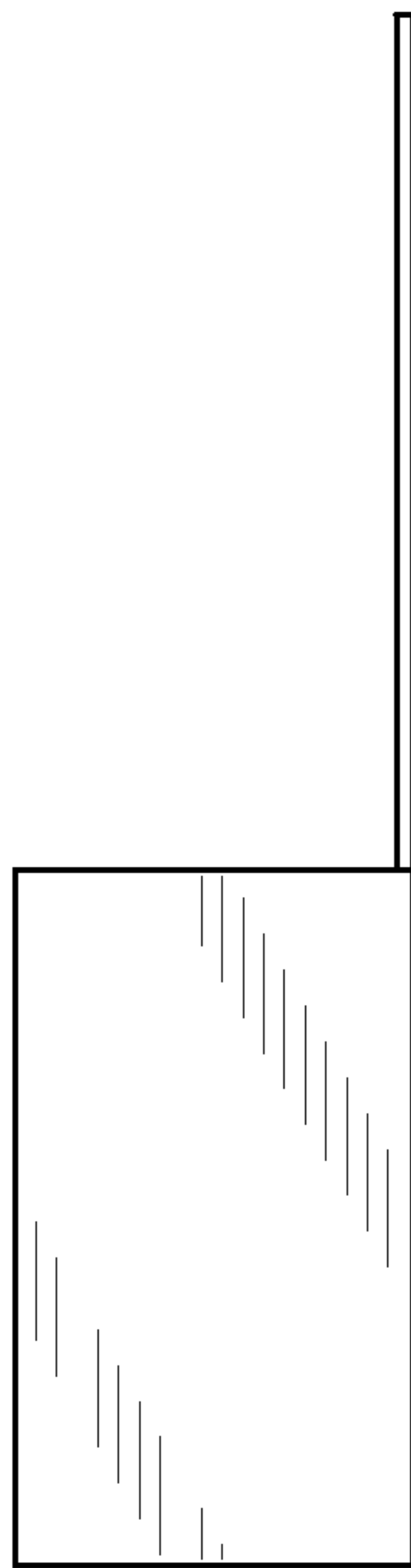
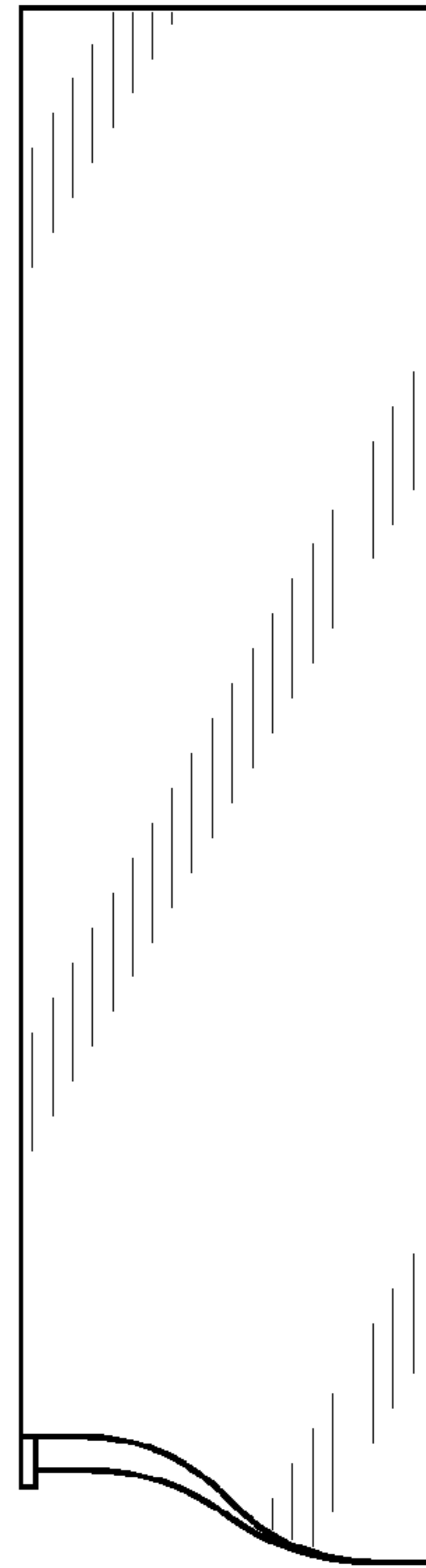
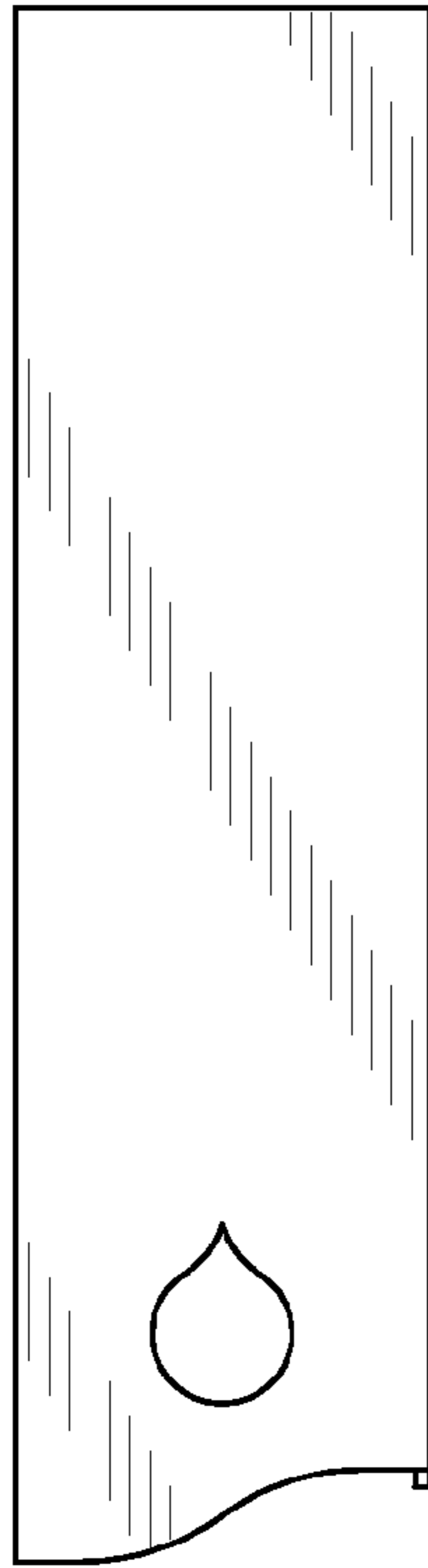


FIG. 11

FIG. 12

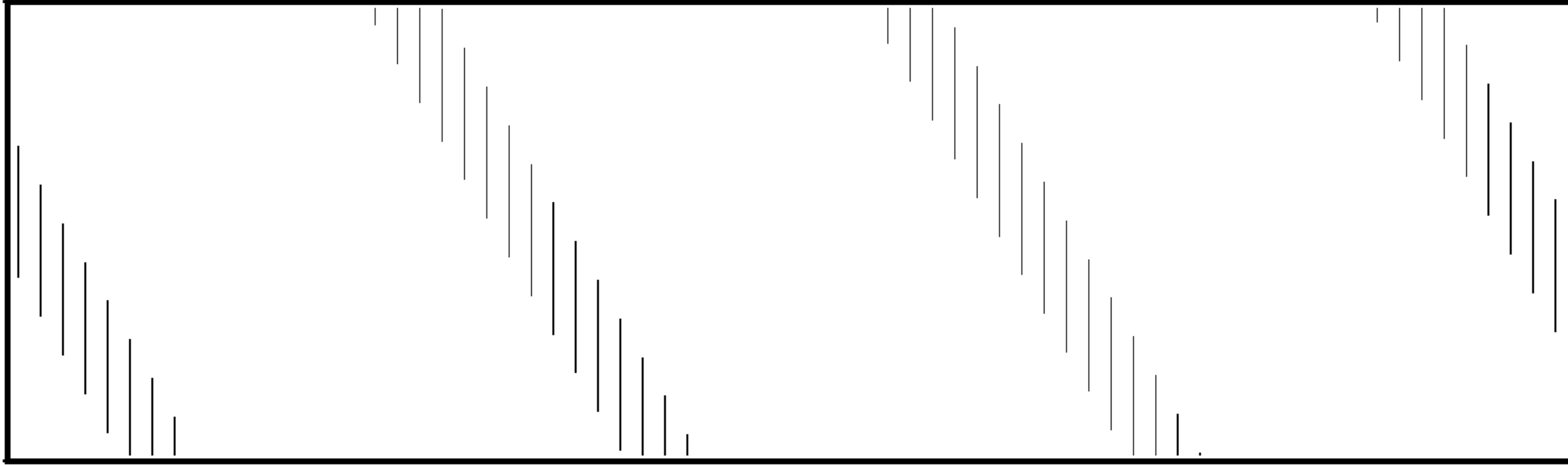


FIG. 13

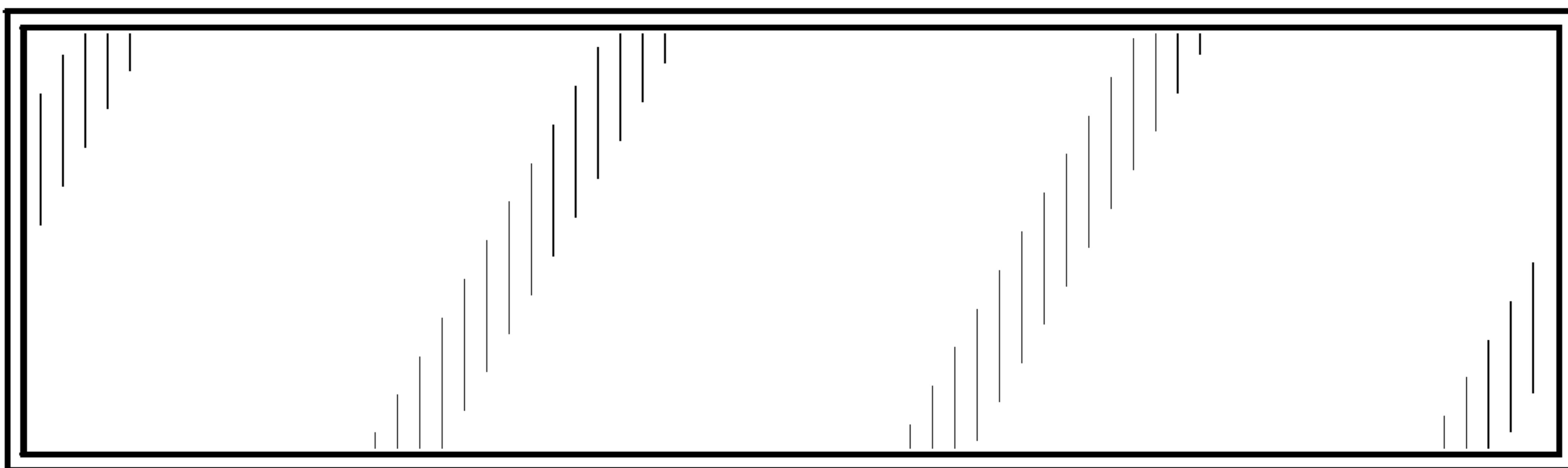


FIG. 14