



US00D614022S

(12) **United States Design Patent**
Melnick

(10) **Patent No.:** **US D614,022 S**
(45) **Date of Patent:** **** Apr. 20, 2010**

(54) **DISPLAY CONTAINER**

(75) Inventor: **Deborah Melnick**, Sewell, NJ (US)

(73) Assignee: **Debbie Lynn, Inc.**, Sewell, NJ (US)

(**) Term: **14 Years**

(21) Appl. No.: **29/316,040**

(22) Filed: **Aug. 18, 2009**

(51) **LOC (9) Cl.** **09-03**

(52) **U.S. Cl.** **D9/415**

(58) **Field of Classification Search** D9/702,
D9/711, 722, 414-499; 206/461-471, 775-783,
206/804, 806, 822; 229/102.5, 122.2, 117.2,
229/117.18, 118

See application file for complete search history.

(56) **References Cited**

U.S. PATENT DOCUMENTS

1,616,980 A	2/1927	MacDougall	
1,646,902 A	10/1927	Diebold	
1,789,773 A	1/1931	Rasch	
1,940,848 A	12/1933	Davidson	
1,972,989 A	9/1934	Goodman	
1,991,427 A	2/1935	Spachmann et al.	
2,006,446 A	7/1935	Davidson	
2,010,118 A	8/1935	Tarbay	
2,019,384 A	10/1935	Baldwin	
2,030,546 A	2/1936	Sheffer	
2,095,798 A	10/1937	Davidson	
2,278,596 A	4/1942	Thompson	
2,307,146 A	1/1943	McCash et al.	
2,964,227 A *	12/1960	Goldsholl	229/128
3,050,230 A	8/1962	Cohane et al.	
3,159,273 A	12/1964	Schecterson et al.	
3,603,452 A	9/1971	Singer	
D232,214 S *	7/1974	Biderman	D34/7
3,881,598 A	5/1975	Schwimmer	
3,929,222 A *	12/1975	Smith et al.	206/783
4,083,447 A *	4/1978	Walters et al.	206/777
D250,171 S *	11/1978	Yoshimoto	D3/203.2

4,136,773 A	1/1979	Booth	
4,887,709 A *	12/1989	Shimamine	206/6.1
5,029,705 A	7/1991	Schmidt et al.	
5,117,976 A	6/1992	Whitt et al.	
5,143,218 A	9/1992	Brauckmann	
D394,806 S *	6/1998	Budert	D9/415
5,896,991 A	4/1999	Hippely et al.	
D425,415 S	5/2000	Kumakura et al.	
D429,463 S *	8/2000	Liberto	D9/418
D429,637 S	8/2000	Kumakura et al.	
6,283,295 B1	9/2001	Akutagawa et al.	
D454,305 S *	3/2002	Bryan et al.	D9/433
6,719,139 B1	4/2004	Foos et al.	
D496,265 S *	9/2004	Dossett et al.	D9/415
D578,875 S *	10/2008	Kent et al.	D9/418
D584,139 S	1/2009	Himeda et al.	
D590,257 S	4/2009	Matsumoto	
D597,829 S *	8/2009	Ma et al.	D9/415
2008/0073246 A1 *	3/2008	Herring et al.	206/776

* cited by examiner

Primary Examiner—Catherine Tuttle

(74) *Attorney, Agent, or Firm*—Sperry, Zoda & Kane

(57) **CLAIM**

The ornamental design for a display container, as shown and described.

DESCRIPTION

FIG. 1 is a perspective view of the display container showing my new design with the intermediate shelf in place;

FIG. 2 is a perspective view of the display container with the intermediate shelf shown removed;

FIG. 3 is a top plan view;

FIG. 4 is a front plan view;

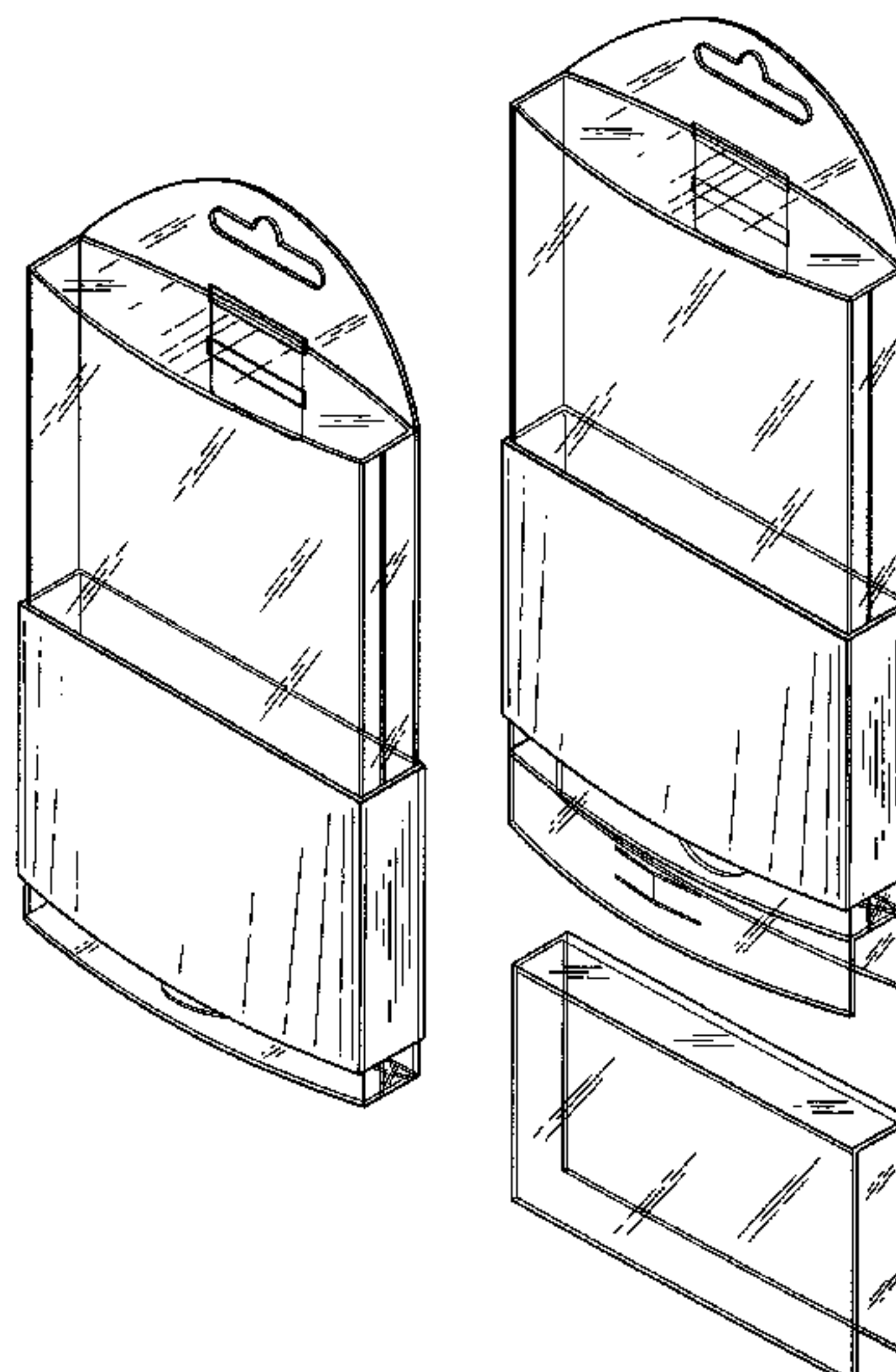
FIG. 5 is a right side plan view;

FIG. 6 is a rear plan view;

FIG. 7 is a left side plan view; and,

FIG. 8 is a bottom plan view.

1 Claim, 7 Drawing Sheets



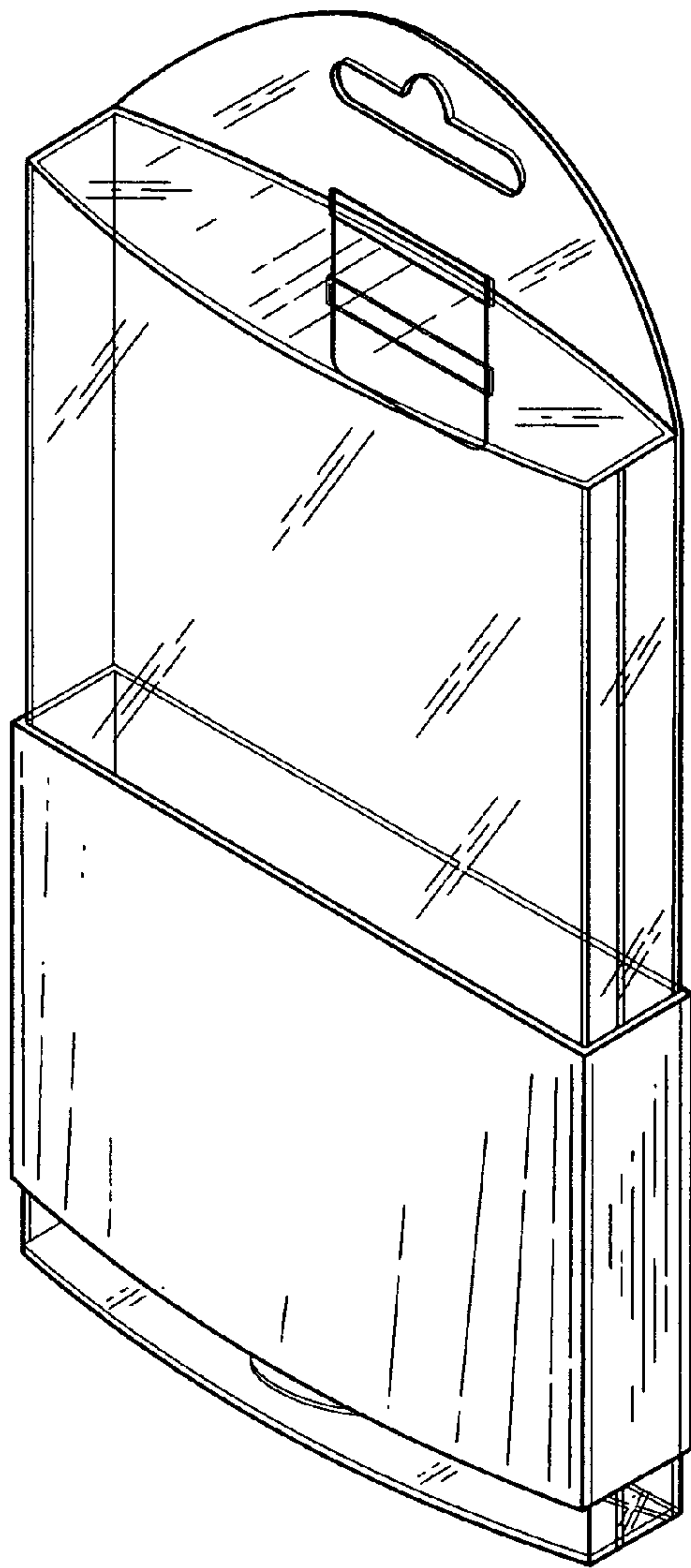


FIG. 1

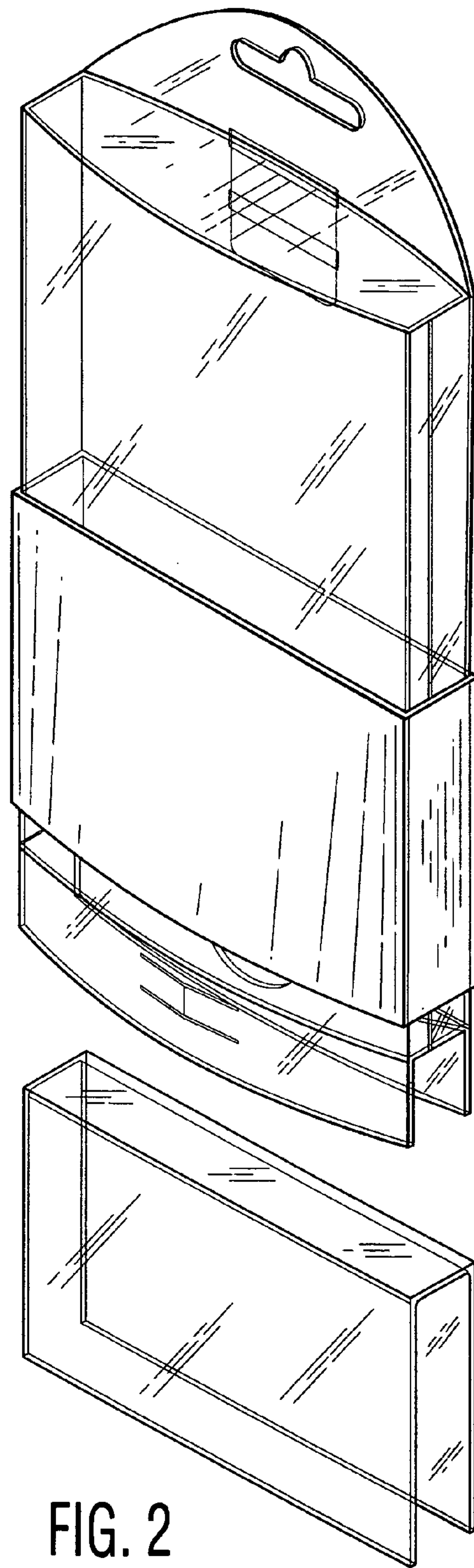


FIG. 2

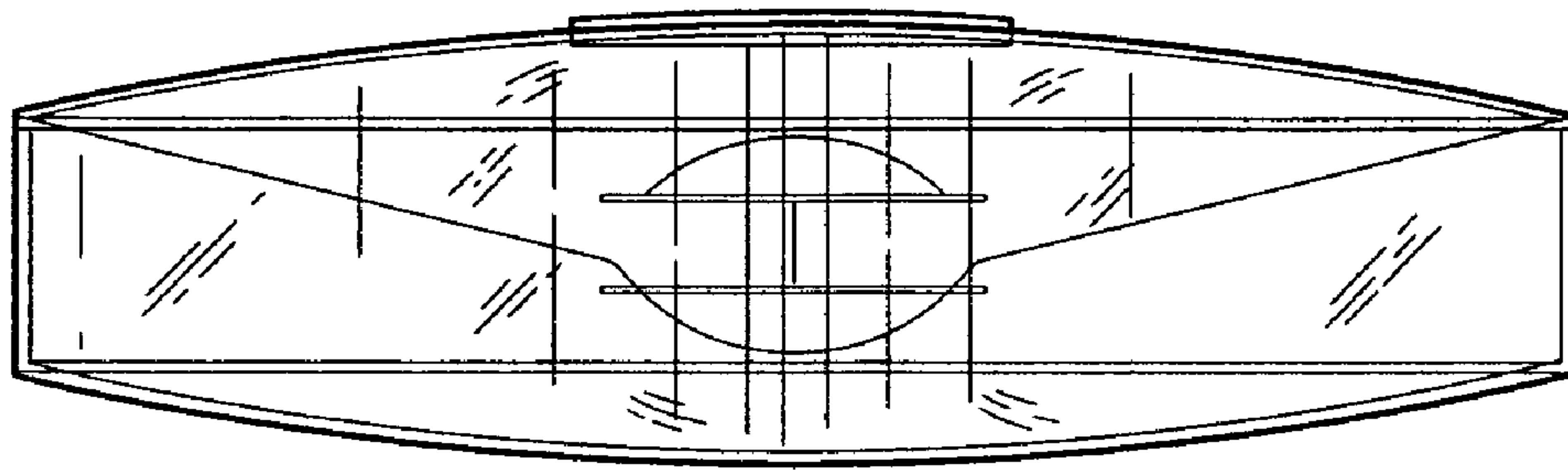


FIG. 3

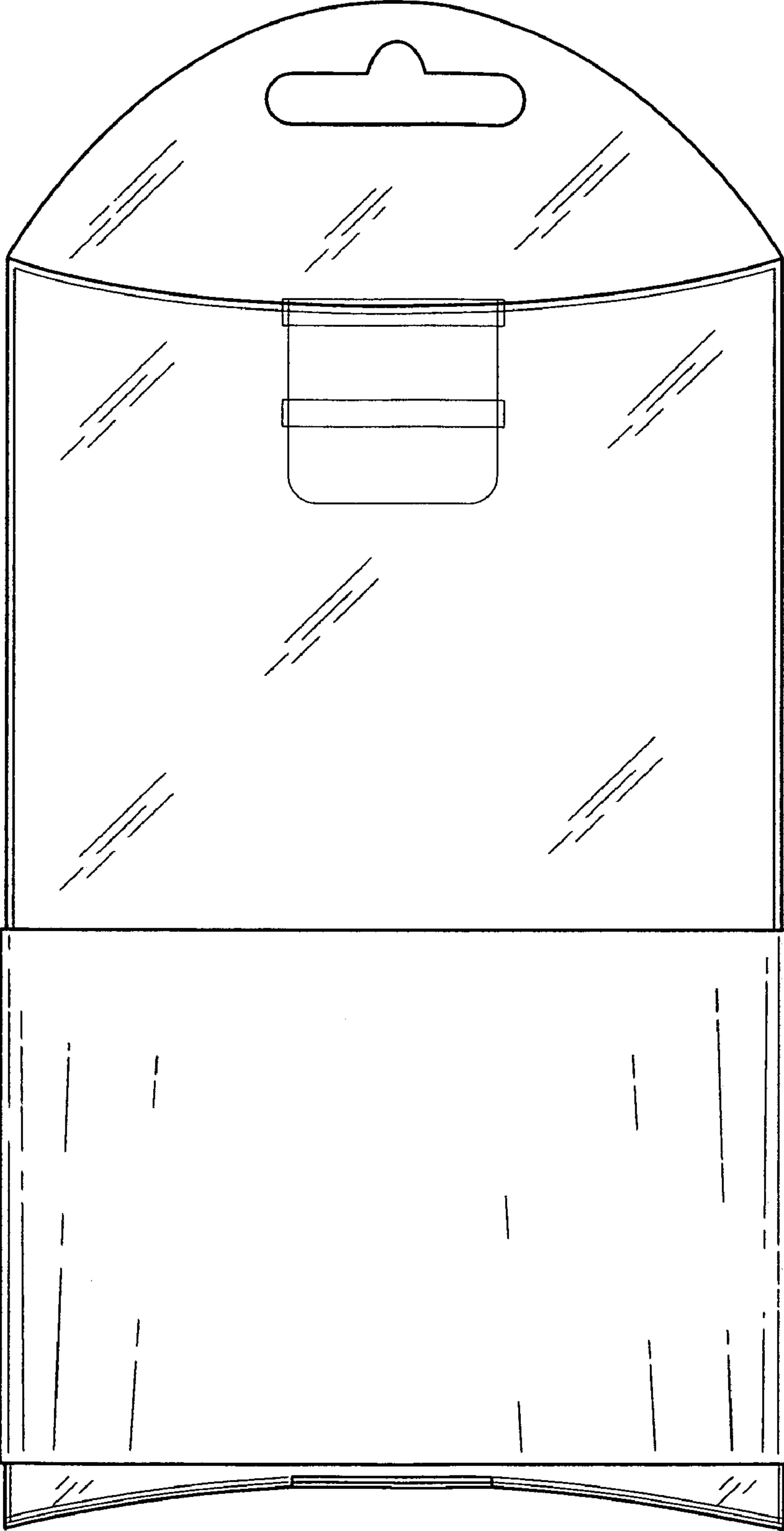


FIG. 4

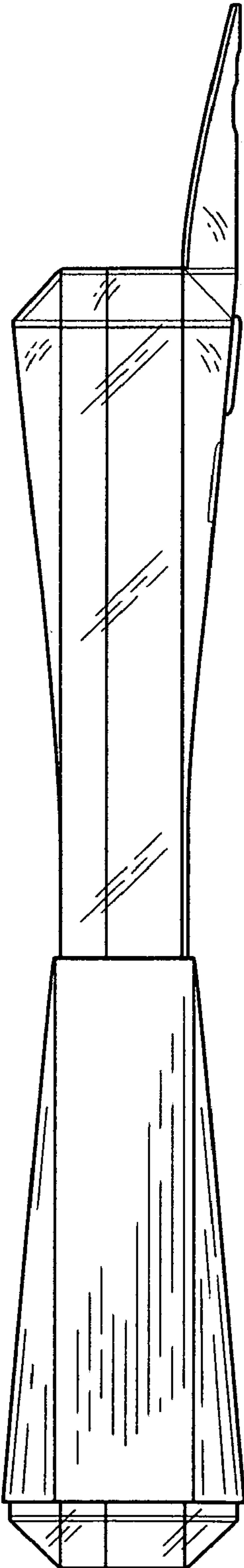


FIG. 5

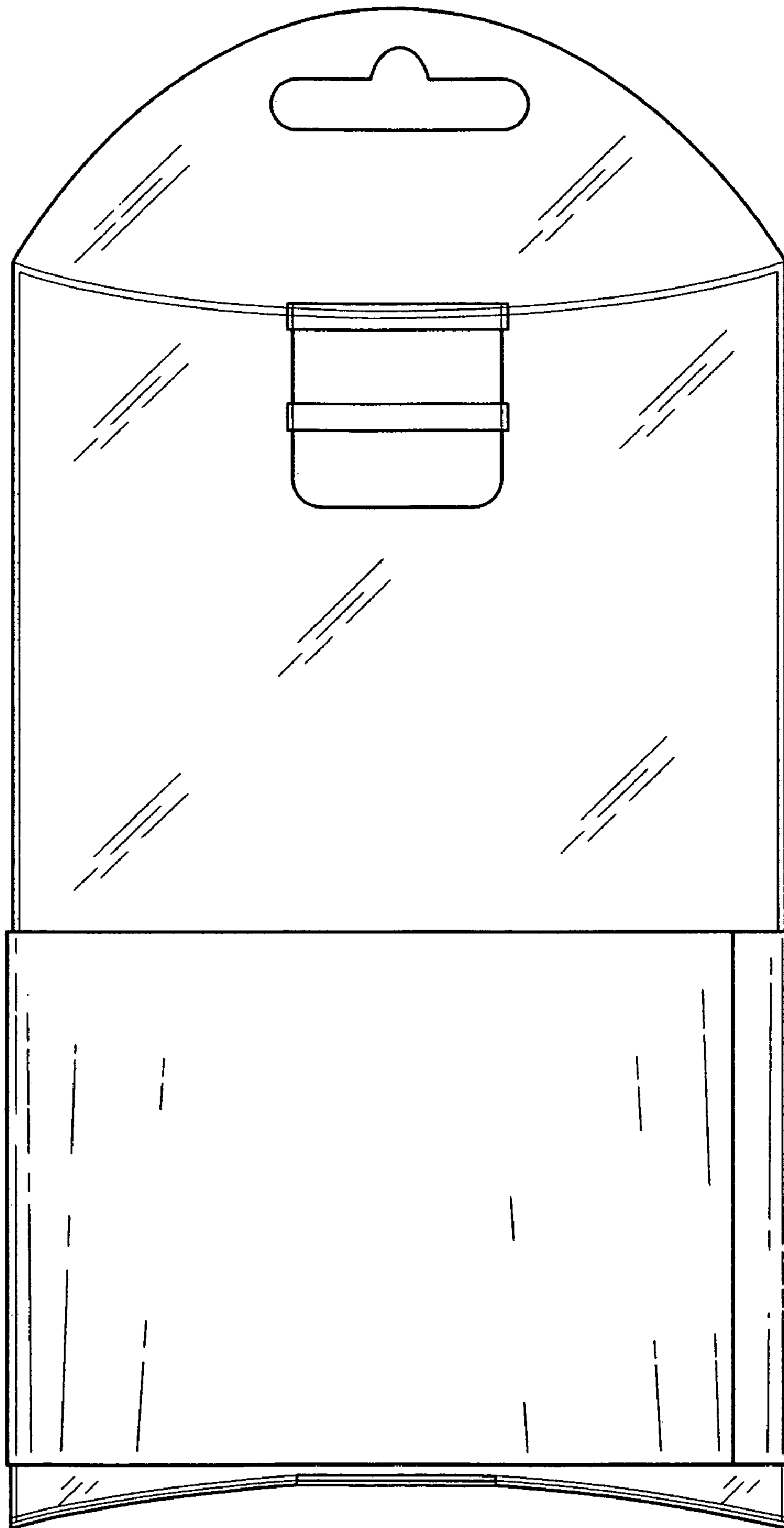


FIG. 6

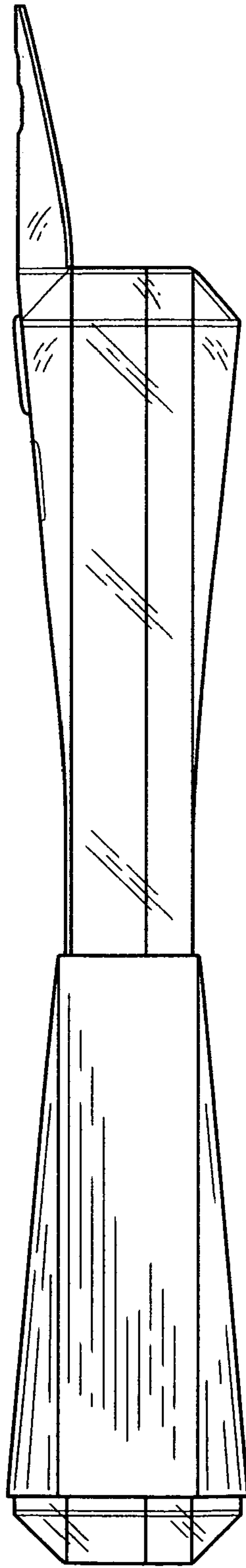


FIG. 7

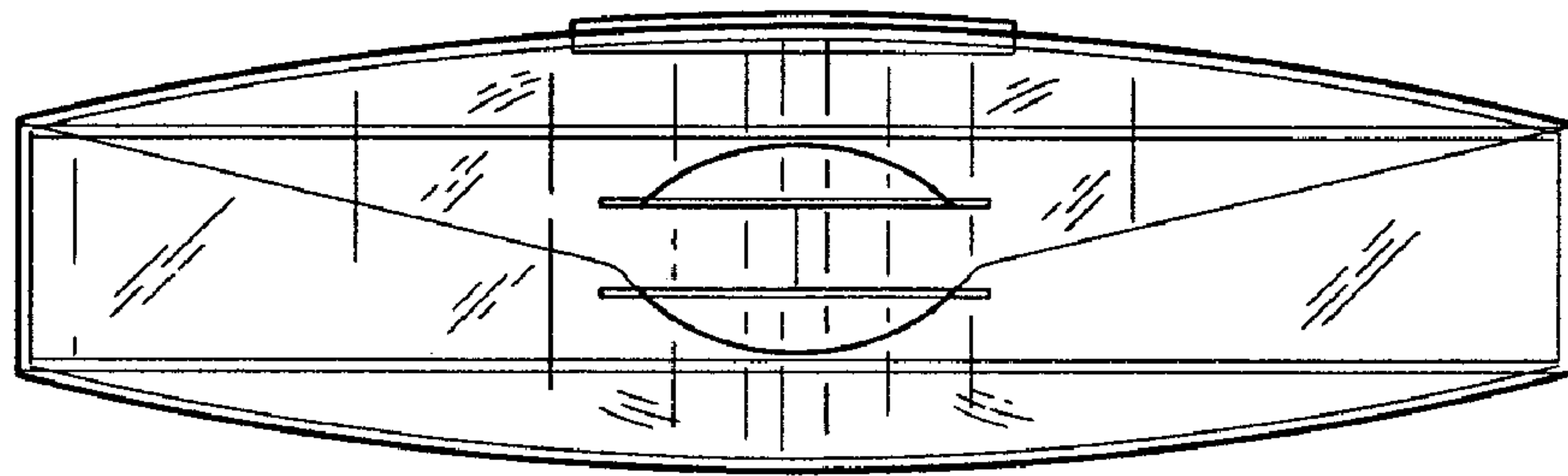


FIG. 8