



US00D614016S

(12) **United States Design Patent**
Zenner et al.

(10) **Patent No.:** **US D614,016 S**
(45) **Date of Patent:** **** Apr. 20, 2010**

(54) **MOTOR HOME ENTRANCE DOOR HANDLE**

(75) Inventors: **Christopher R. Zenner**, Alta Vista, IA (US); **Jayden F. Burns**, Lime Springs, IA (US); **Douglas W. Smith**, Sandia Park, NM (US)

(73) Assignee: **Trimark Corporation**, New Hampton, IA (US)

(**) Term: **14 Years**

(21) Appl. No.: **29/328,487**

(22) Filed: **Nov. 25, 2008**

(51) **LOC (9) Cl.** **08-07**

(52) **U.S. Cl.** **D8/331**

(58) **Field of Classification Search** D8/330,
D8/331, 339, 343, 346, 300, 303; 70/13-4,
70/51-56, 57, 78, 95-100, 118, 124, 141,
70/207, 237; 292/2, 4, 32, 289, 290, 292-296
See application file for complete search history.

(56) **References Cited**

U.S. PATENT DOCUMENTS

2,530,330 A * 11/1950 Groeger 292/29
4,790,157 A * 12/1988 Lin 70/95
4,995,649 A * 2/1991 Magnusson 292/175
D354,428 S * 1/1995 Magnusson D8/331

D365,976 S * 1/1996 Chiu D8/330
D502,859 S * 3/2005 Peng et al. D8/331
D512,899 S * 12/2005 Oskamp et al. D8/331
2007/0258258 A1 * 11/2007 Wang 362/501

* cited by examiner

Primary Examiner—Prabhakar Deshmukh

(74) *Attorney, Agent, or Firm*—McKee, Voorhees & Sease, P.L.C.

(57) **CLAIM**

The ornamental designs for a motor home entrance door handle, as shown and described.

DESCRIPTION

FIG. 1 is a perspective view of a motor home entrance door handle showing our new design;

FIG. 2 is a top plan view thereof;

FIG. 3 is a bottom plan view thereof;

FIG. 4 is a rear elevation view thereof;

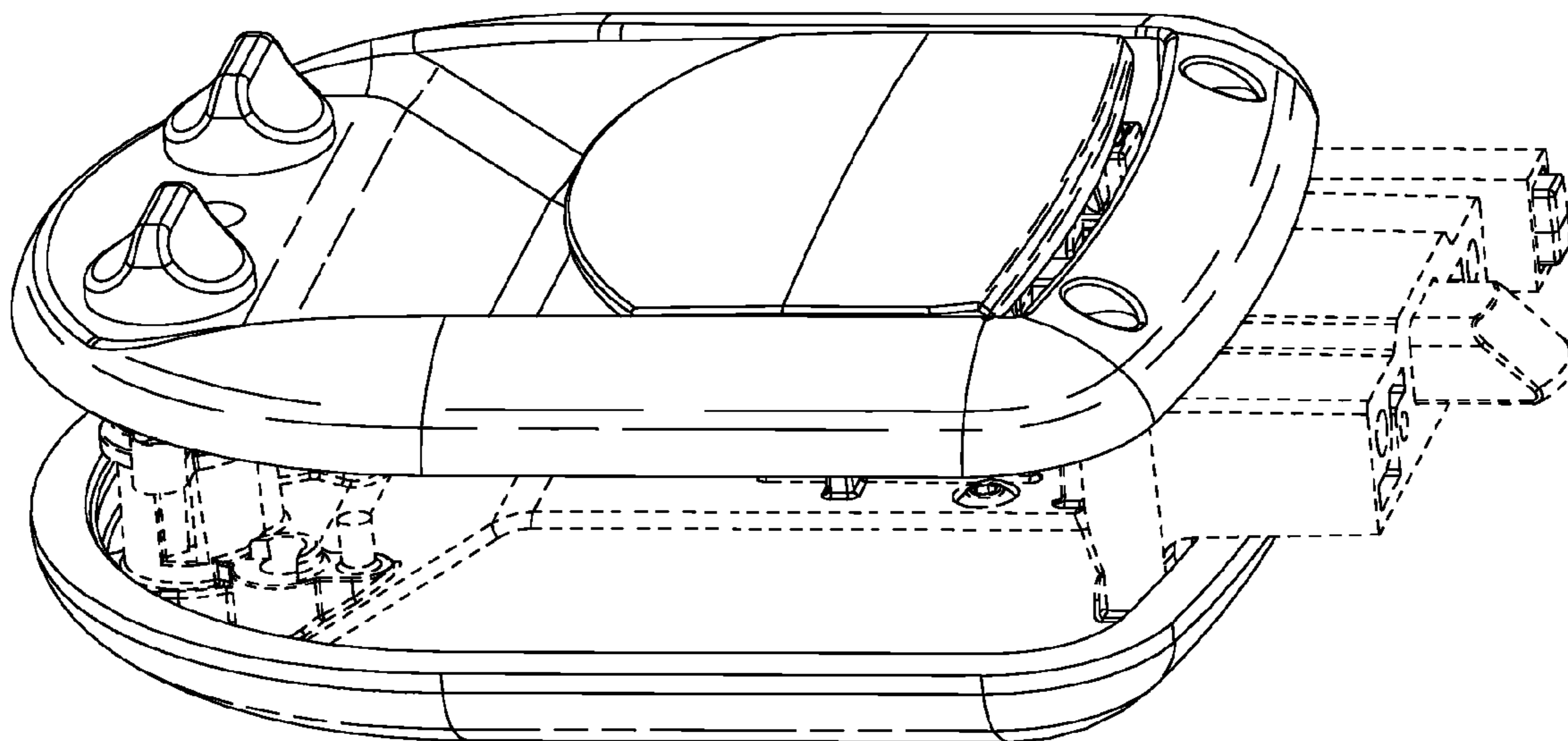
FIG. 5 is a front elevation view thereof;

FIG. 6 is a right elevation view thereof; and,

FIG. 7 is a left side elevation view thereof.

The broken lines environmental are for illustrative purpose only and form no part of the claimed design.

1 Claim, 3 Drawing Sheets



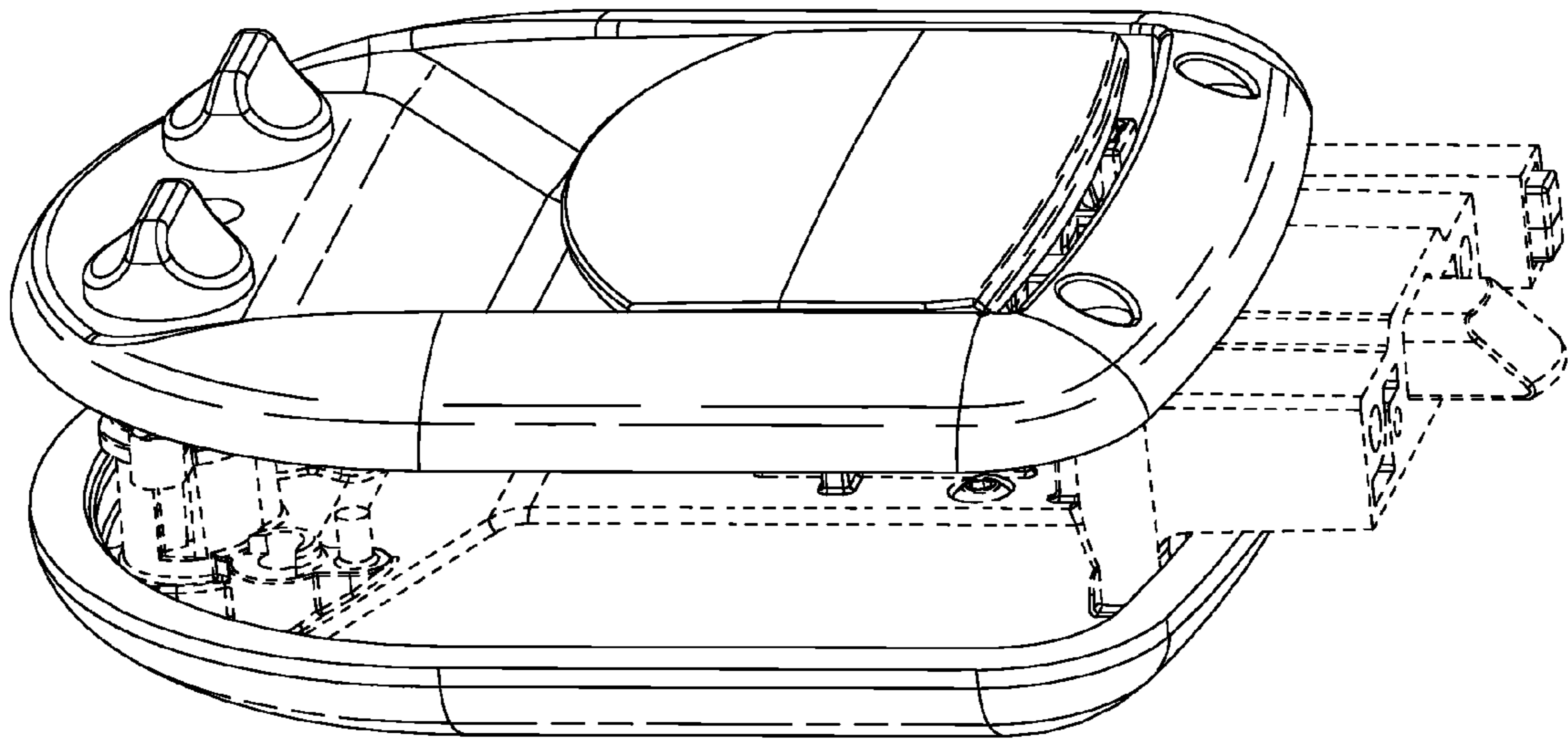


FIG. 1

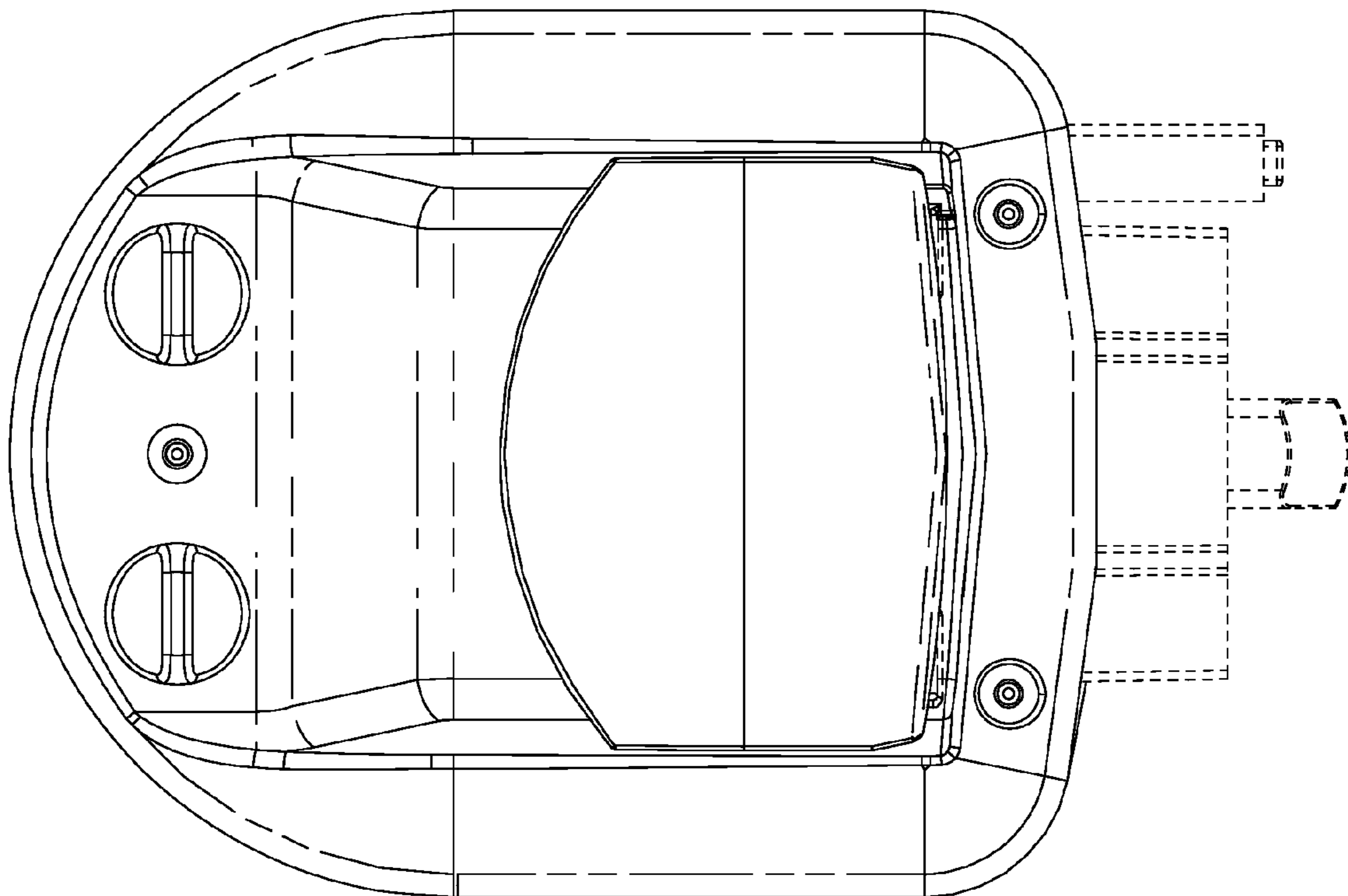


FIG. 2

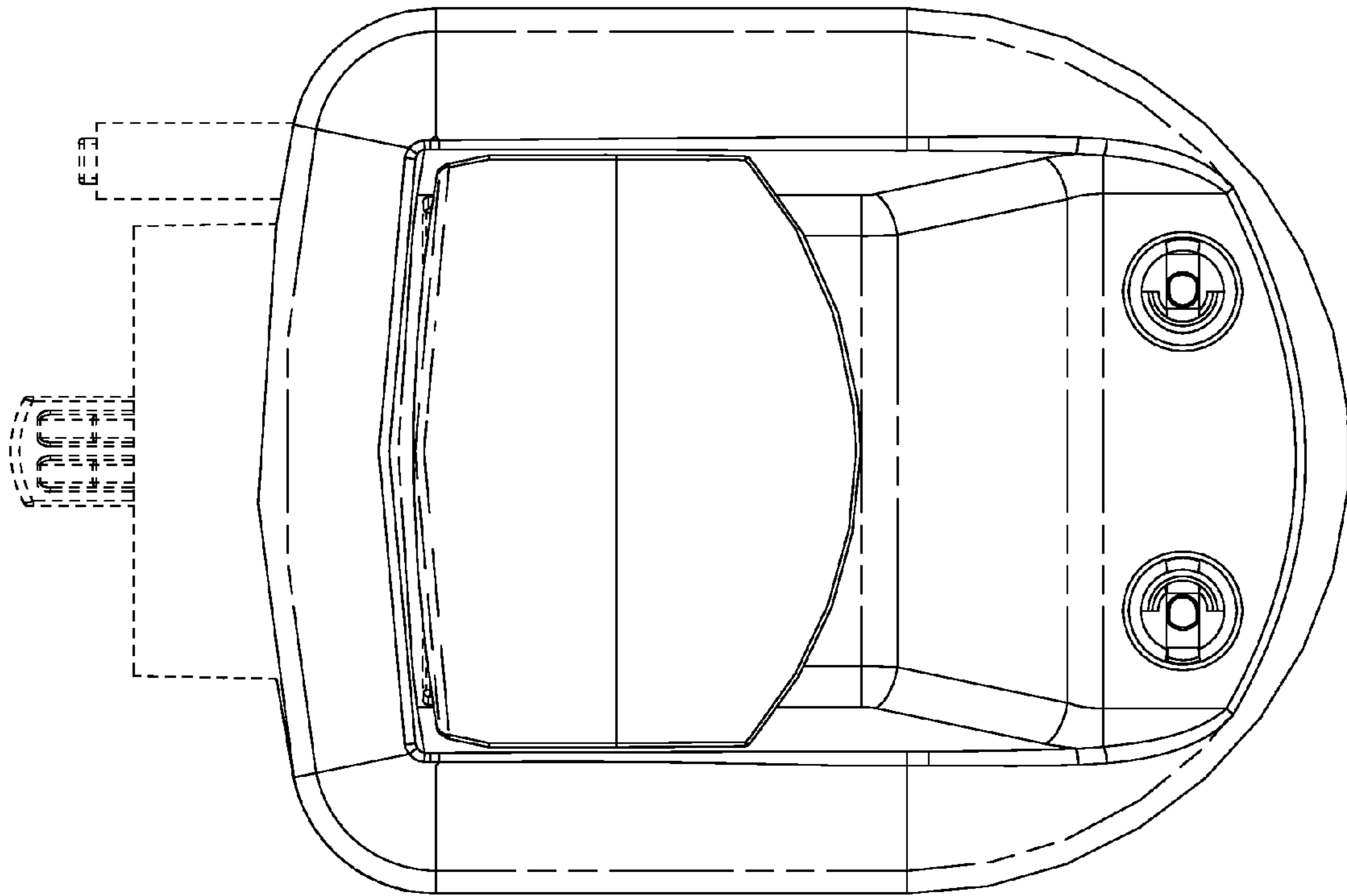


FIG. 3

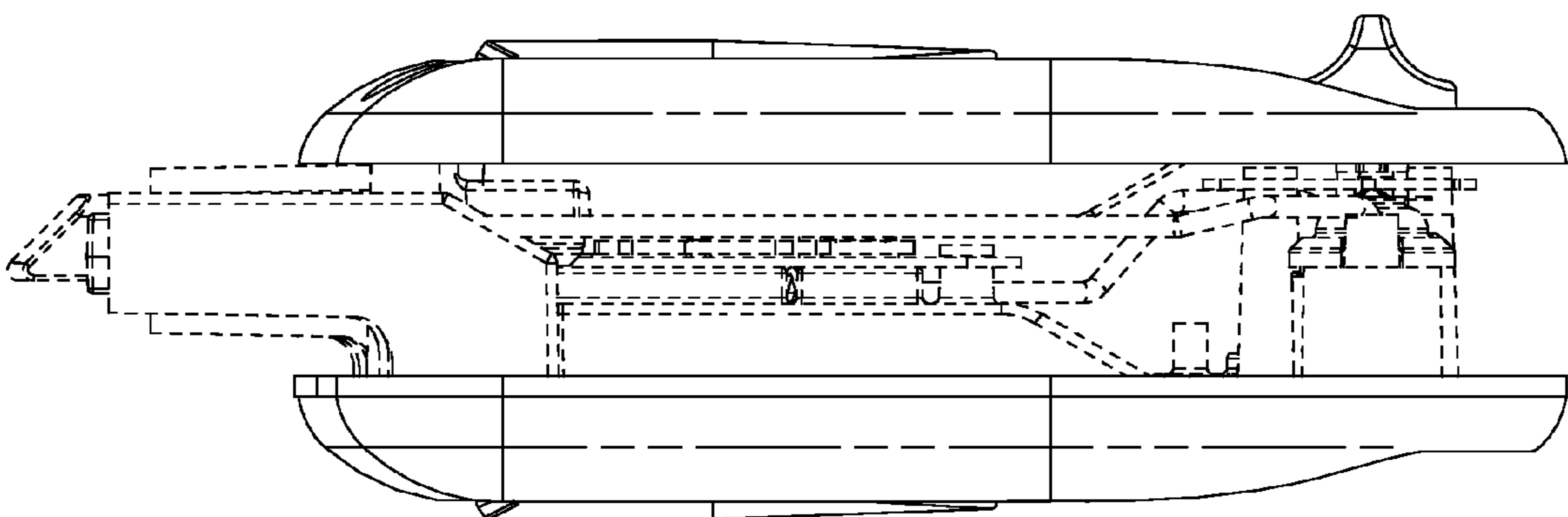


FIG. 4

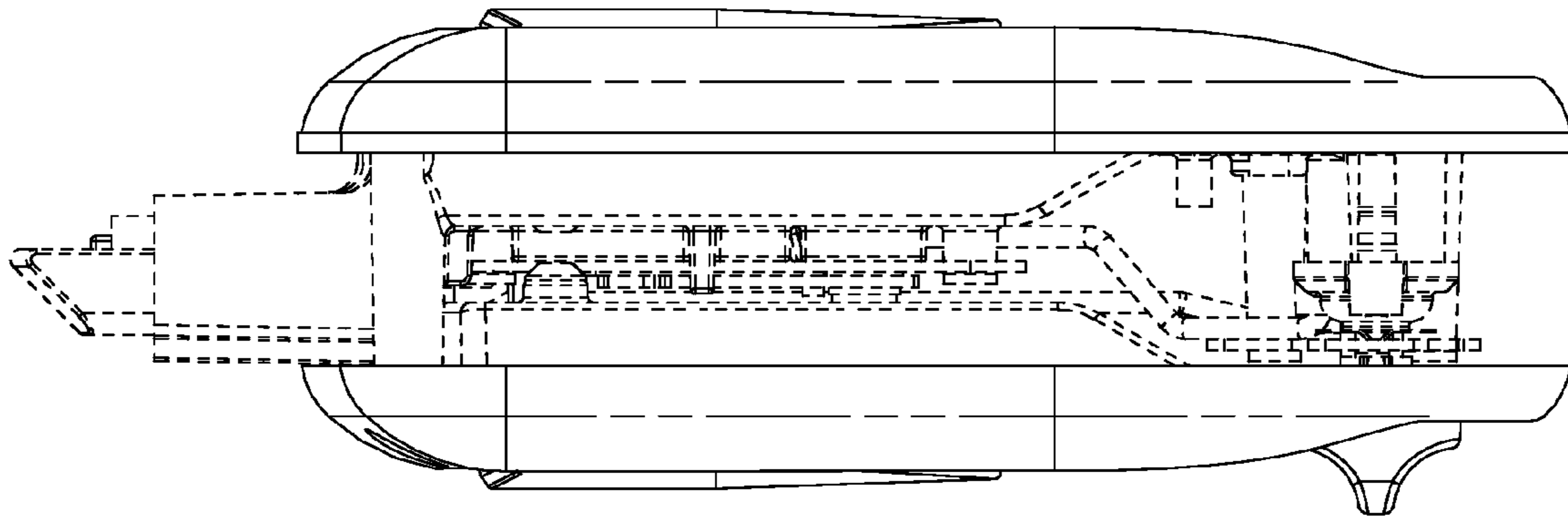


FIG. 5

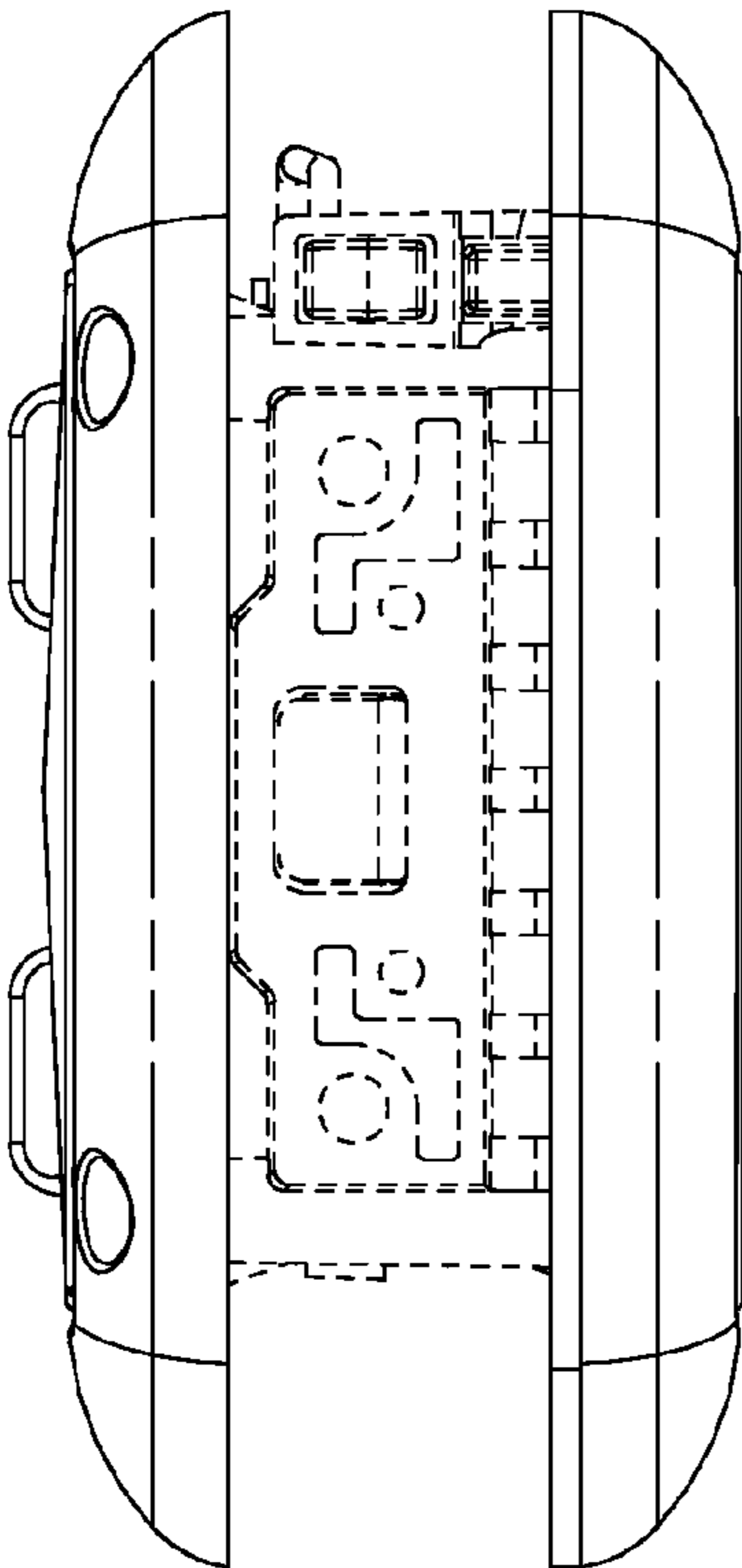


FIG. 6

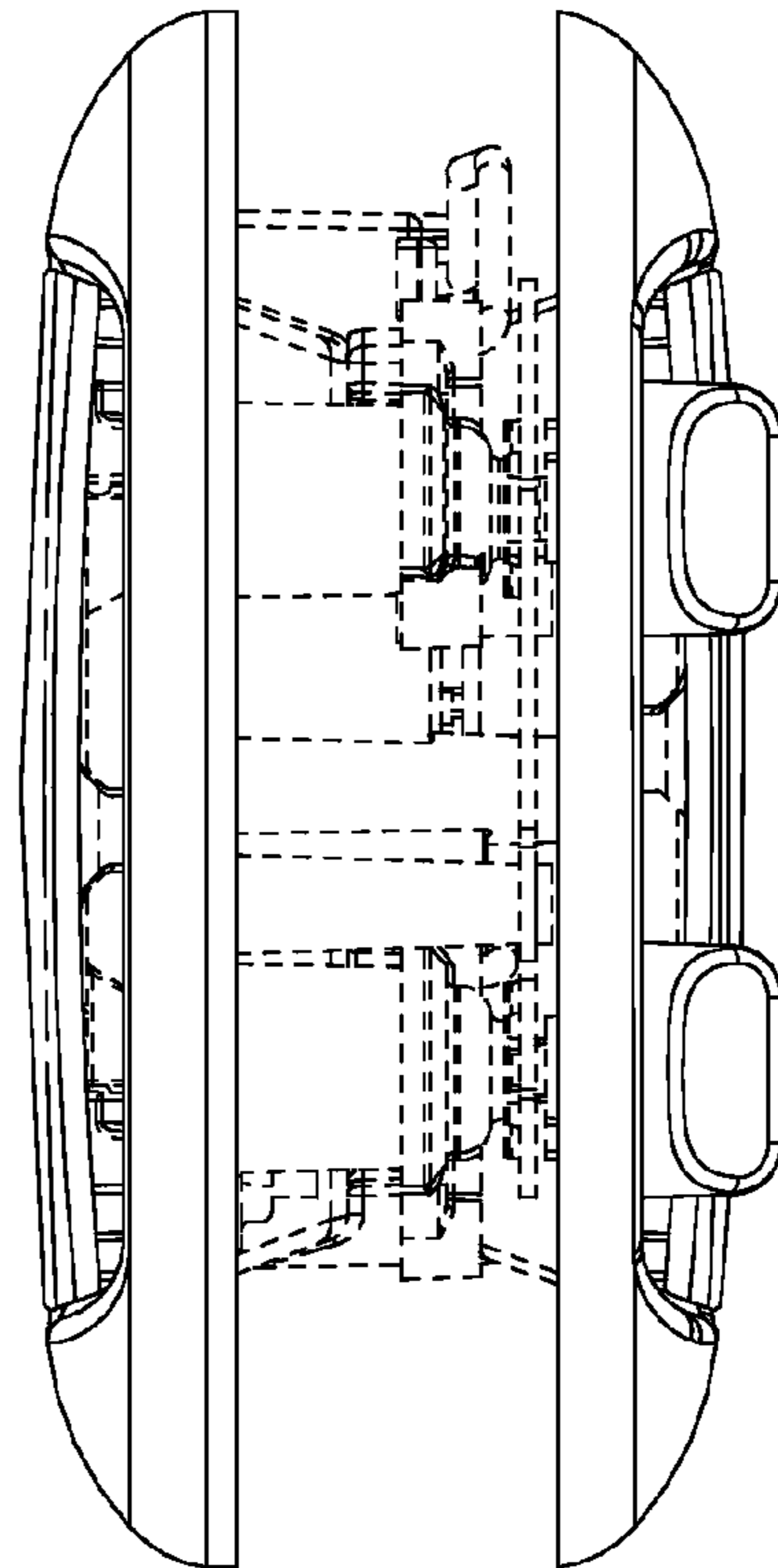


FIG. 7