



US00D614015S

(12) **United States Design Patent**
Friedrich

(10) **Patent No.:** **US D614,015 S**

(45) **Date of Patent:** **** Apr. 20, 2010**

(54) **JEWEL CASE LOCK**

(75) Inventor: **Markus Friedrich**, Schwanstetten (DE)

(73) Assignee: **Friedrich Lederwaren GmbH**,
Schwanstetten (DE)

(**) Term: **14 Years**

(21) Appl. No.: **29/305,836**

(22) Filed: **Mar. 28, 2008**

(30) **Foreign Application Priority Data**

Sep. 28, 2007 (DE) 4 07 04 881

(51) **LOC (9) Cl.** **08-07**

(52) **U.S. Cl.** **D8/331; D8/330**

(58) **Field of Classification Search** D8/330,
D8/331, 341, 343-346, 349; 70/288, 306,
70/312, 316, 69-72; 292/DIG. 26, DIG. 42,
292/DIG. 48, DIG. 49

See application file for complete search history.

(56) **References Cited**

U.S. PATENT DOCUMENTS

3,350,902 A * 11/1967 Chance 70/74
D288,931 S * 3/1987 Gisiger D8/330

D457,801 S * 5/2002 Zamberg D8/331
6,932,988 B2 * 8/2005 Cruse 424/725
D518,703 S * 4/2006 Niewiadowsk D8/331
D541,627 S * 5/2007 Wolf D8/331
D570,195 S * 6/2008 Schlatter D8/331
D579,755 S * 11/2008 Burton D8/331

* cited by examiner

Primary Examiner—Prabhakar Deshmukh

(74) *Attorney, Agent, or Firm*—Laurence A. Greenberg;
Werner H. Stemer; Ralph E. Locher

(57) **CLAIM**

The ornamental design for a jewel case lock, as shown and described.

DESCRIPTION

FIG. 1 is a front elevational view of a jewel case lock showing my new design;

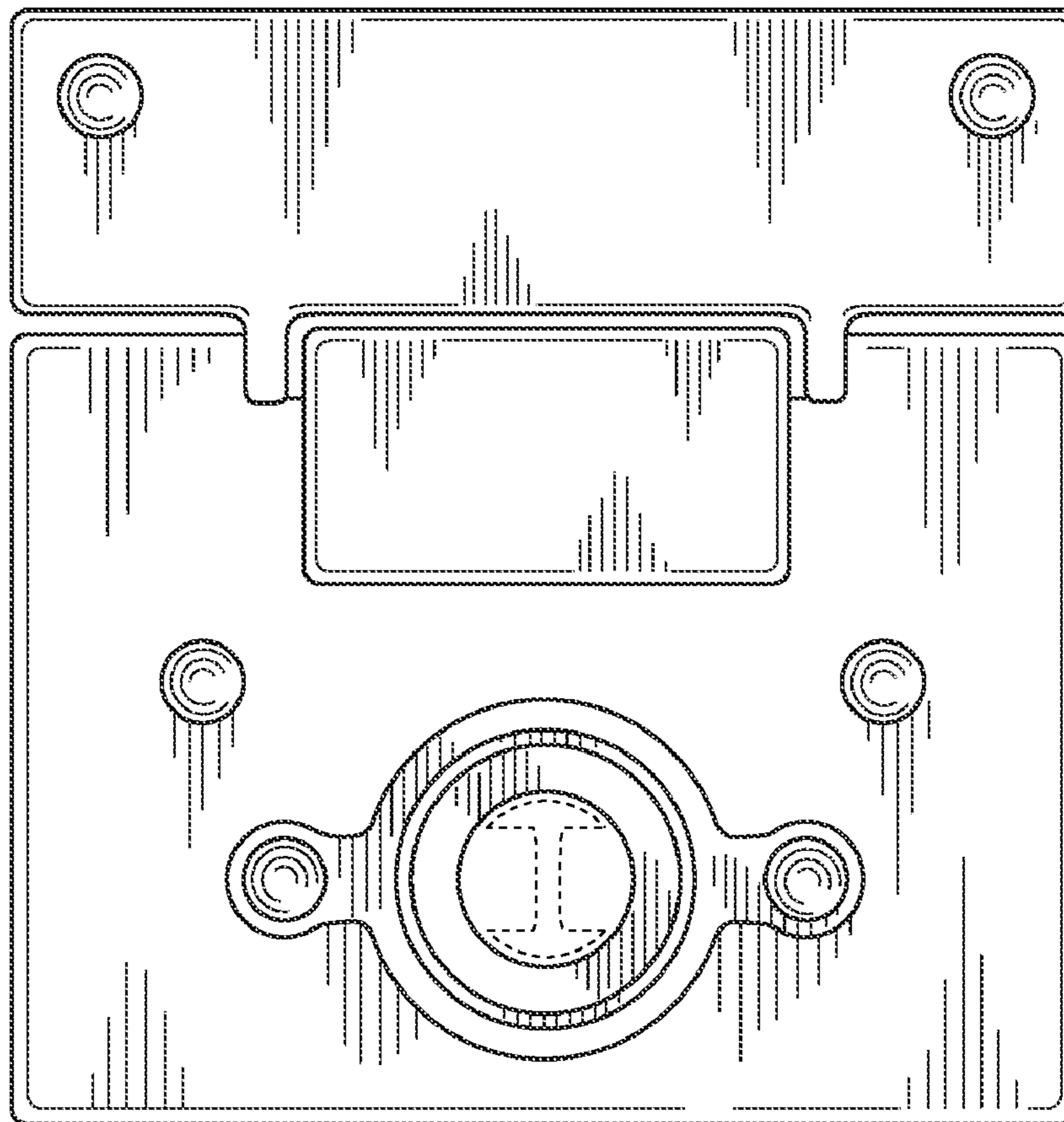
FIG. 2 is a side elevational view thereof;

FIG. 3 is an exploded front perspective view thereof; and,

FIG. 4 is another side view in an alternate condition.

The broken lines show non-claimed environment and forms no part of the claimed design.

1 Claim, 4 Drawing Sheets



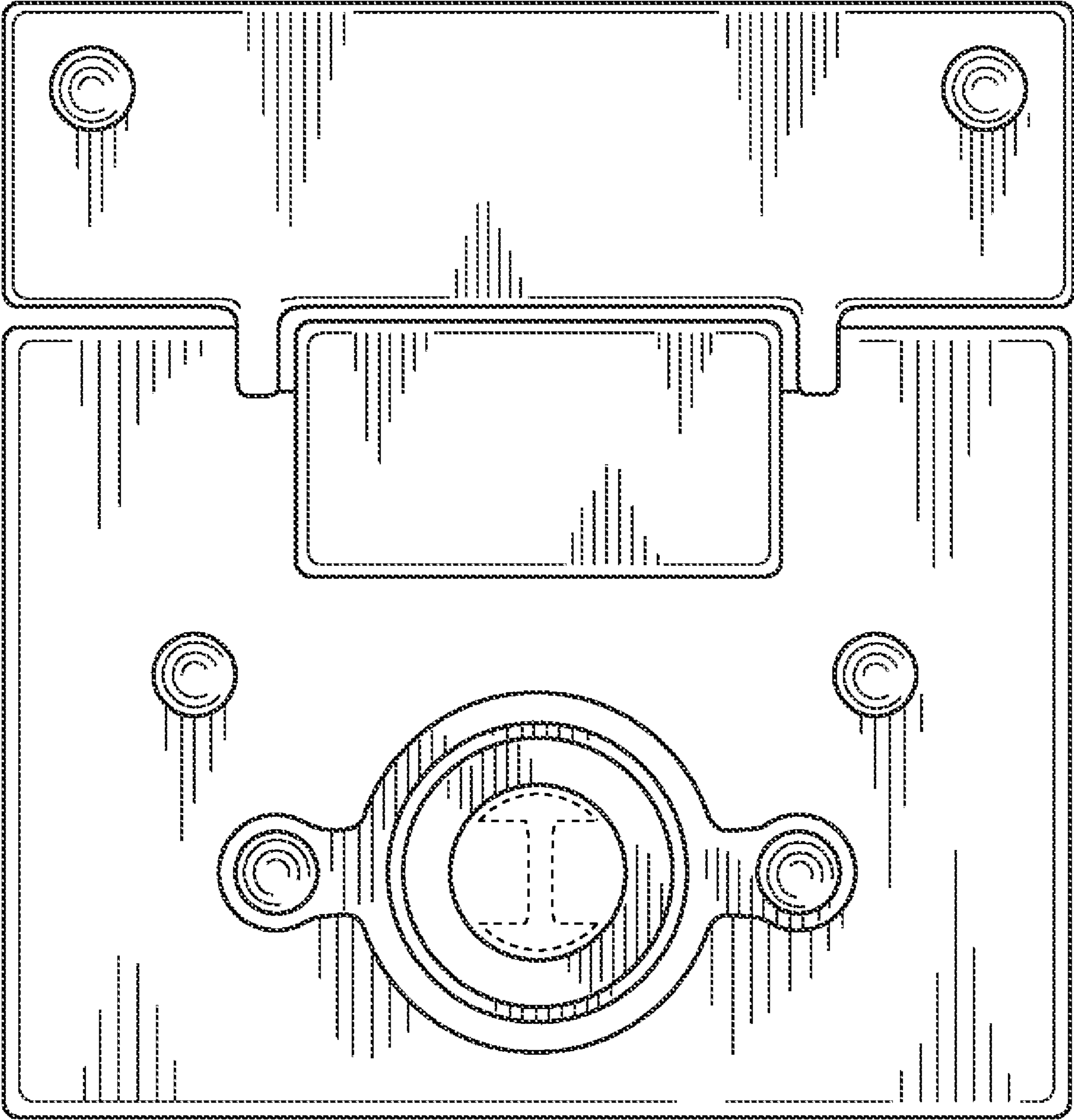


FIG. 1

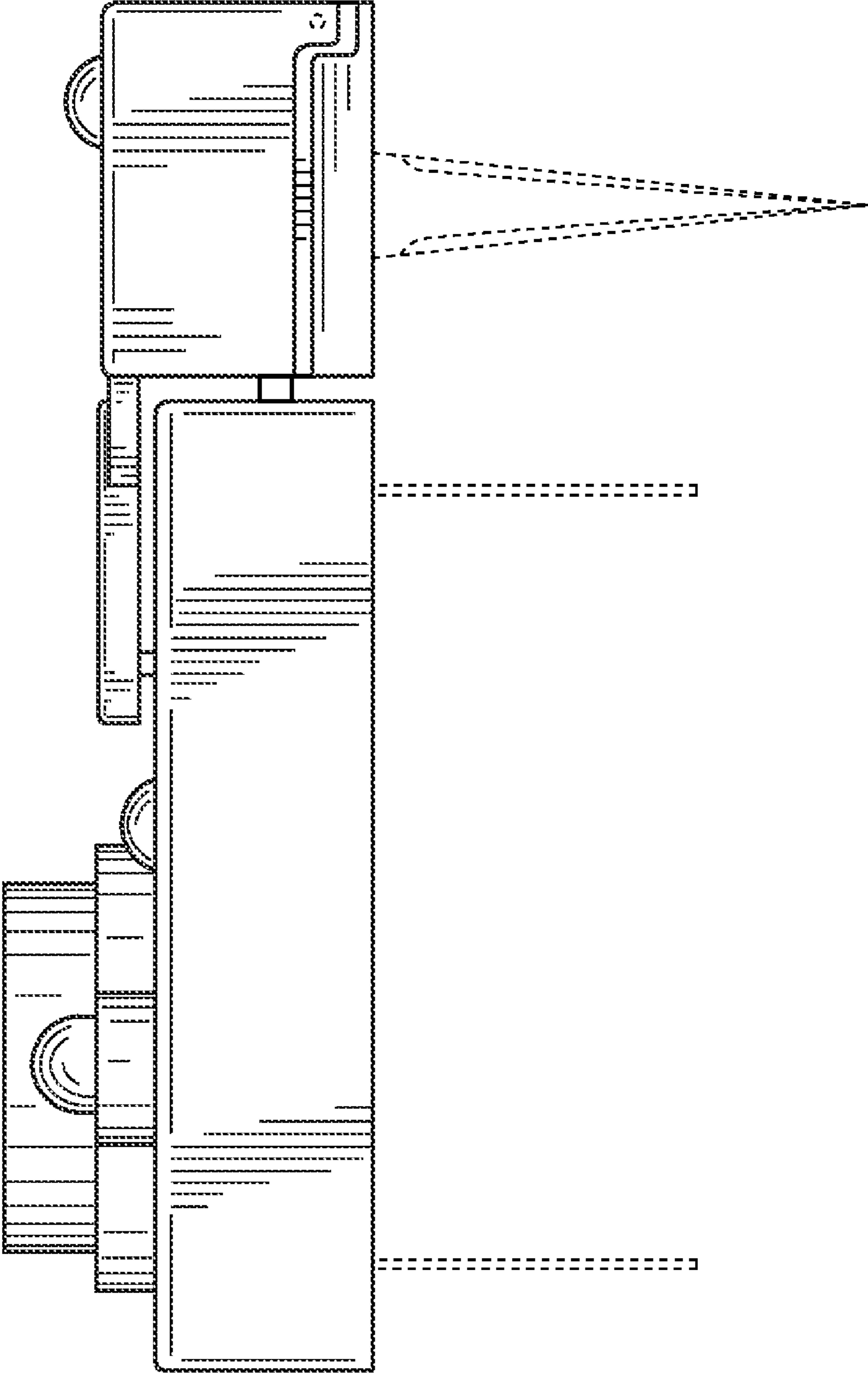


FIG. 2

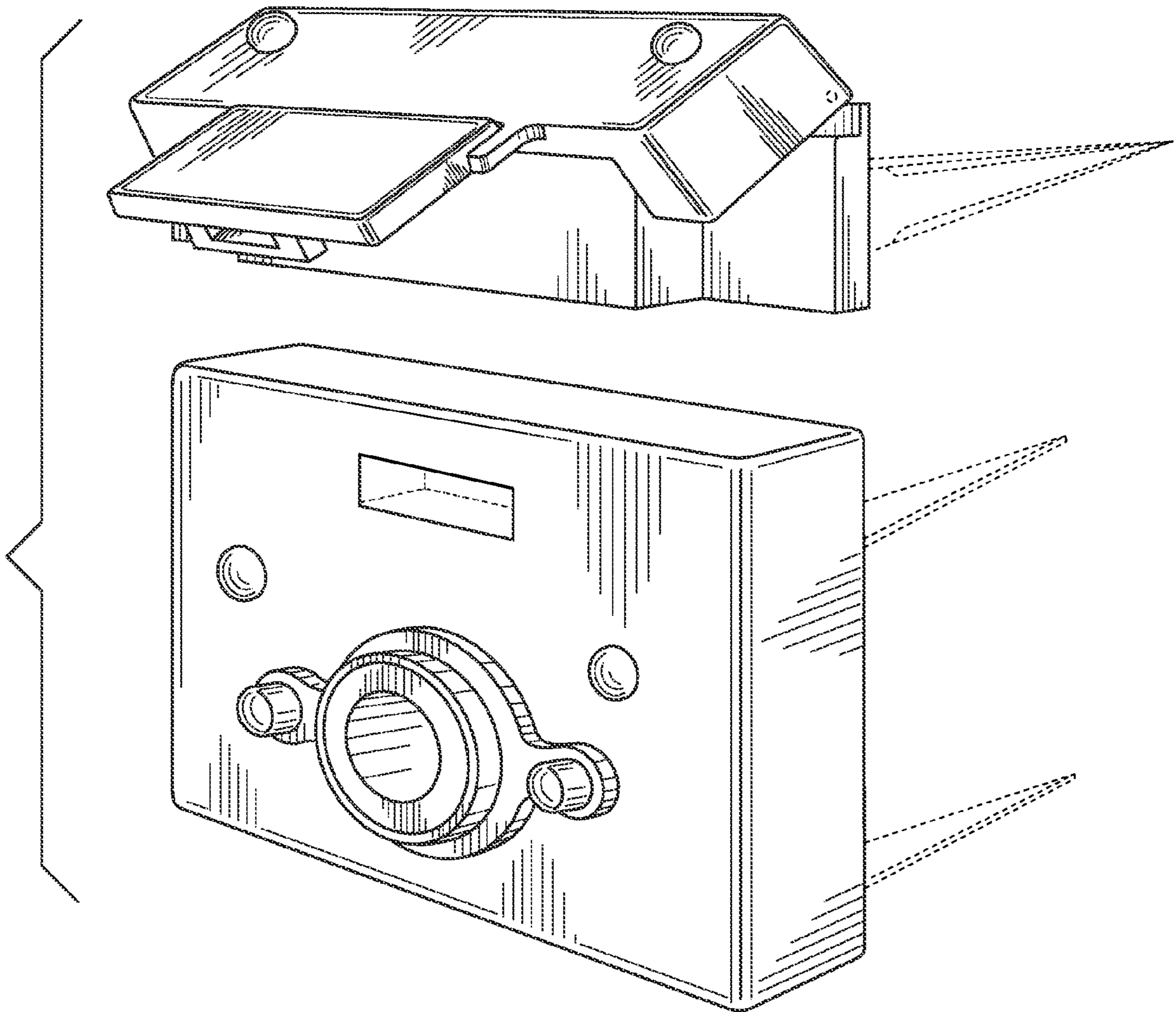


FIG. 3

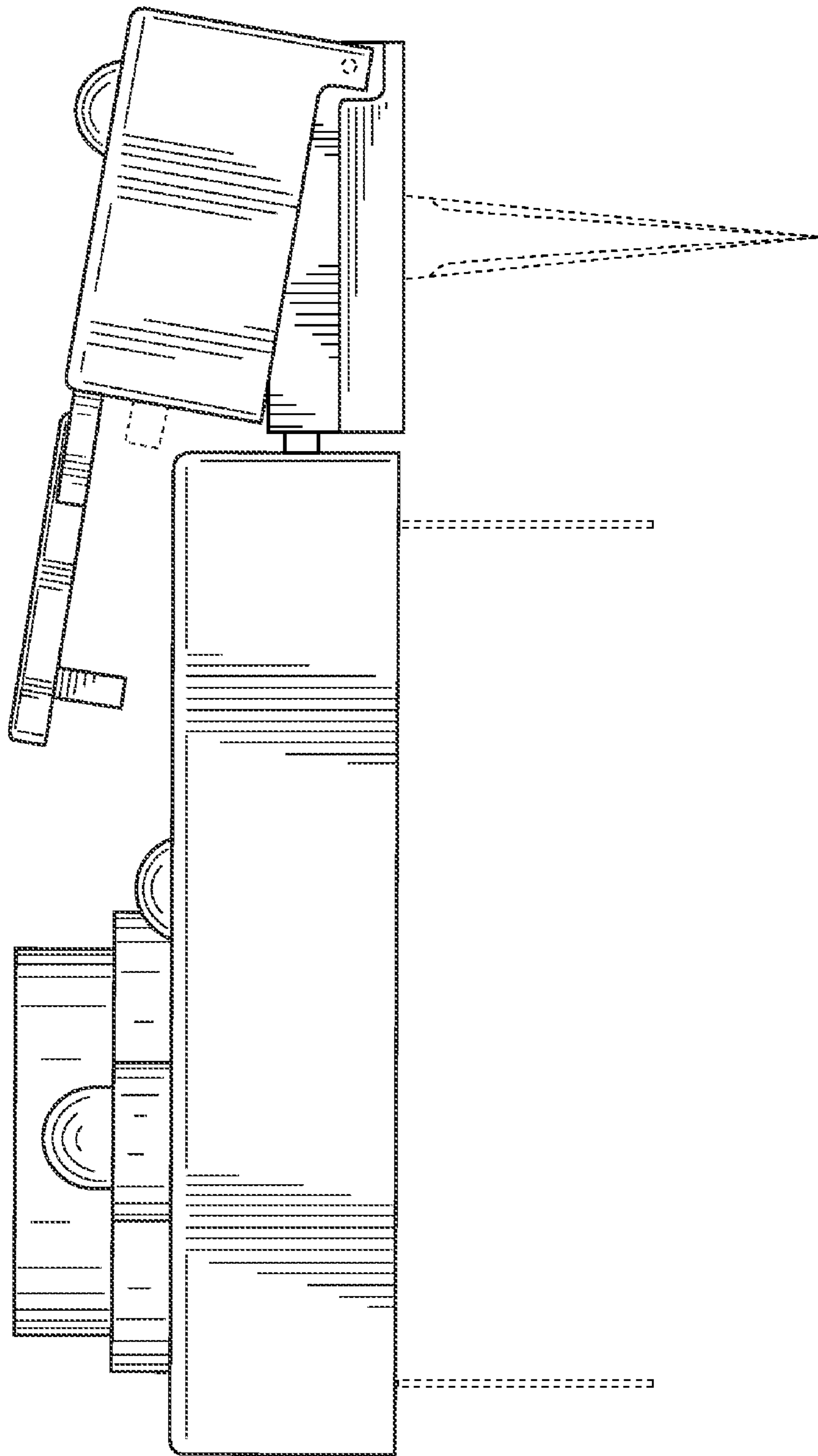


FIG. 4