

US00D614013S

(12) **United States Design Patent**  
**Saubert et al.**

(10) **Patent No.:** **US D614,013 S**  
(45) **Date of Patent:** **\*\* Apr. 20, 2010**

(54) **APPLIANCE HANDLE**

(75) Inventors: **Michael Saubert**, Hoffman Estates, IL (US); **Ellen T. Glassman**, Closter, NJ (US); **Jason S. Silverstein**, Schaumburg, IL (US); **Mark Bonner**, West Bloomfield, MI (US); **Dave Thimm**, Plymouth, MI (US); **Dan Genord**, South Lyon, MI (US)

(73) Assignee: **Sears Brands, L.L.C.**, Hoffman Estates, IL (US)

(\*\*) Term: **14 Years**

(21) Appl. No.: **29/343,694**

(22) Filed: **Sep. 17, 2009**

(51) **LOC (9) Cl.** ..... **08-06**

(52) **U.S. Cl.** ..... **D8/317; D8/300; D15/89**

(58) **Field of Classification Search** ..... D8/300, D8/301, 302, 305, 306, 307-313, 315-318, D8/319-322, DIG. 1, DIG. 2, DIG. 10; D15/89, D15/87, 91; D7/393, 394, 402, 349; D3/318; D6/549, 524, 533, 550, 546, 446; D23/303, D23/304, 305, 250-254; 16/441, 118, 110 R, 16/111 R, DIG. 19, DIG. 30, 110.1, 412, 16/414-420, 443-446; 292/336.3; 211/16, 211/182; 220/752-754

See application file for complete search history.

(56) **References Cited**

**U.S. PATENT DOCUMENTS**

D119,283 S	*	3/1940	Rettich	.....	D8/317
D129,484 S	*	9/1941	Jiranek	.....	D6/446
D210,561 S	*	3/1968	Roberts et al.	.....	D15/89
D229,291 S	*	11/1973	Frawley	.....	D8/317
D342,436 S	*	12/1993	Cook et al.	.....	D8/317

(Continued)

**OTHER PUBLICATIONS**

Dacor, The Life of the Kitchen, Dacor Kitchen Appliances: Preference Discovery Single Wall Ovens, <http://www.dacor.com/Our-Products/Wall-Ovens/Preference-Discovery-Single-Wall-Oven>, Nov. 18, 2008.

*Primary Examiner*—Stella M Reid

*Assistant Examiner*—Mark A Goodwin

(74) *Attorney, Agent, or Firm*—Eric J. Maiers; Greenberg Traurig, LLP

(57) **CLAIM**

The ornamental design for an appliance handle, as shown and described.

**DESCRIPTION**

FIG. 1 is a perspective view of the appliance handle showing our new design;

FIG. 2 is a front elevational view thereof;

FIG. 3 is a rear elevational view thereof;

FIG. 4 is a top plan view thereof;

FIG. 5 is a bottom plan view thereof;

FIG. 6 is a left side elevational view thereof;

FIG. 7 is a right side elevational view thereof;

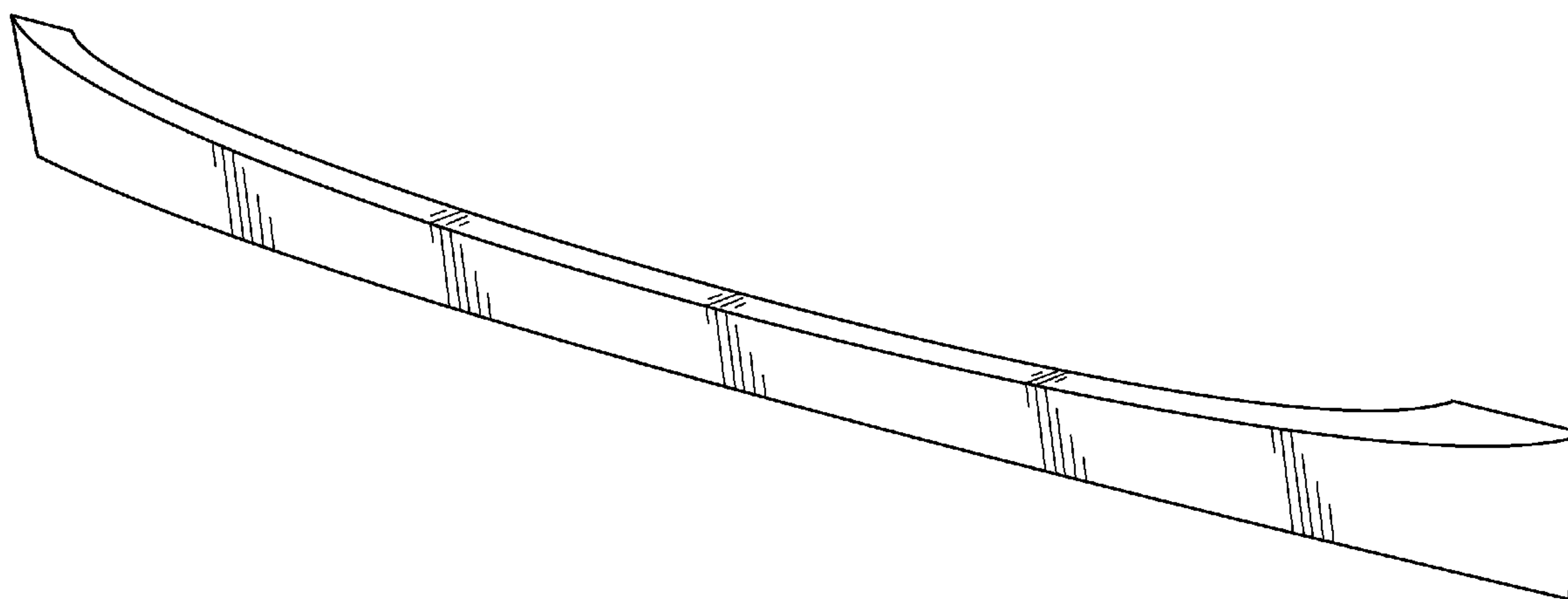
FIG. 8 is a perspective view thereof shown in use condition on a dish washer;

FIG. 9 is a perspective view thereof shown in use condition on a refrigerator; and,

FIG. 10 is a perspective view thereof shown in use condition on a stove.

The broken line showing of the dish washer, refrigerator, and stove in FIGS. 8-10 and the extra appliance handles in FIGS. 9 and 10 is included for the purpose of illustrating environmental structure only and forms no part of the claimed design.

**1 Claim, 6 Drawing Sheets**



# US D614,013 S

Page 2

---

## U.S. PATENT DOCUMENTS

D379,734 S *	6/1997	Baldwin .....	D7/405	D565,892 S *	4/2008	McConnell et al. ....	D7/402
D424,873 S *	5/2000	Holbrook .....	D7/402	D571,633 S *	6/2008	Shuman et al. ....	D8/313
D471,403 S *	3/2003	Jones et al. ....	D7/405	D572,111 S *	7/2008	Busalt et al. ....	D8/316
6,546,597 B2 *	4/2003	Atalla et al. ....	16/436	D577,567 S *	9/2008	Crookshanks .....	D8/316
D511,955 S *	11/2005	Baldwin et al. ....	D8/301	D579,310 S *	10/2008	Suh et al. ....	D8/315
D520,535 S *	5/2006	Lee et al. ....	D15/91	D587,067 S *	2/2009	Kim .....	D7/402
D525,476 S *	7/2006	Bengtson et al. ....	D7/349	D593,139 S *	5/2009	Cline et al. ....	D15/89
D552,959 S	10/2007	Gilboe		D593,799 S *	6/2009	Cruver et al. ....	D7/402
D553,944 S *	10/2007	Jou .....	D8/316	D597,820 S *	8/2009	Kirk .....	D8/317

\* cited by examiner

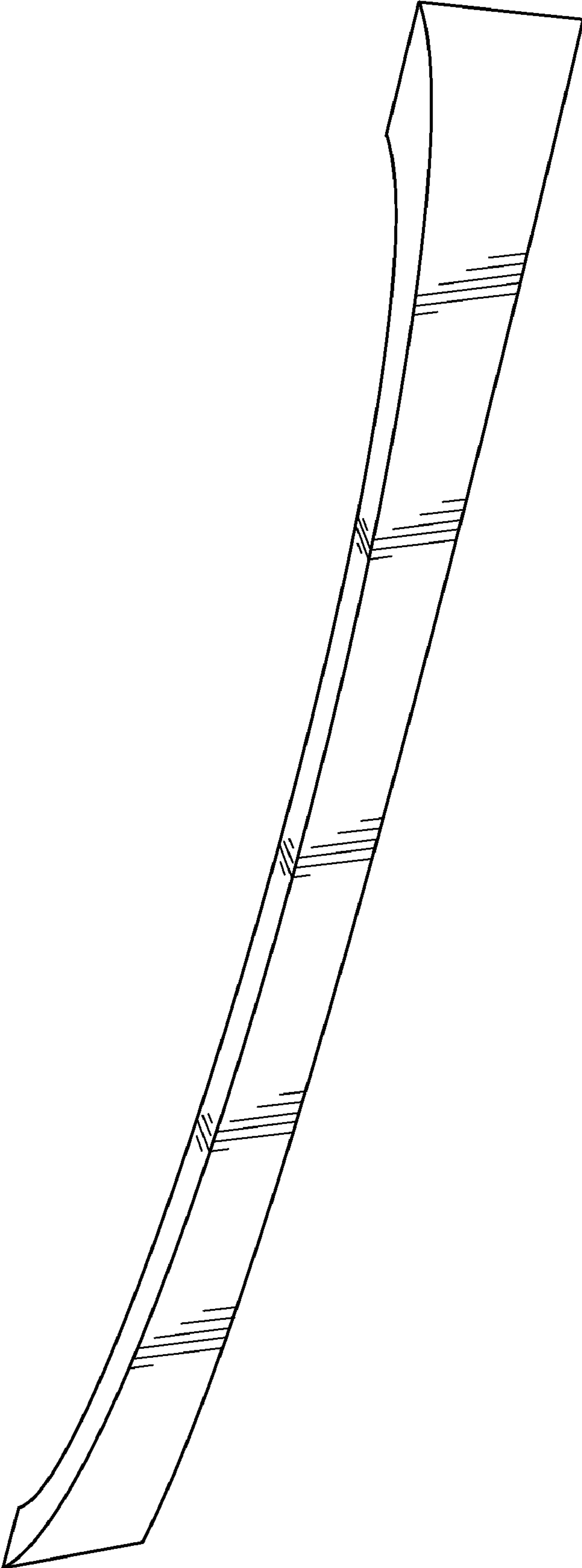


FIG. 1

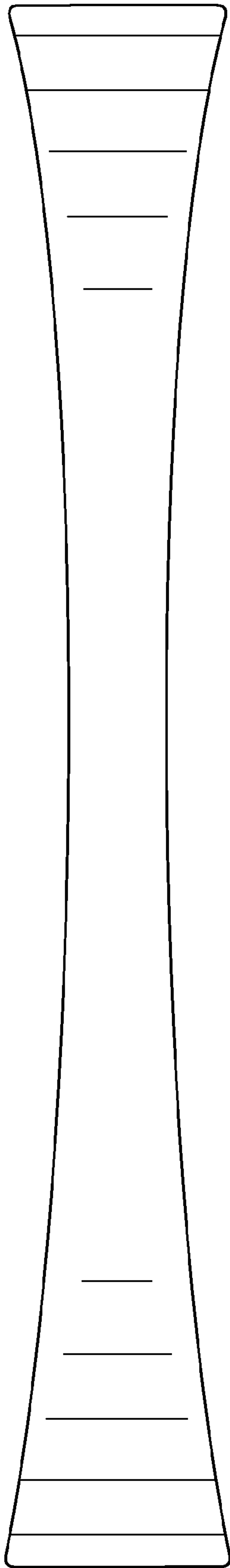


FIG. 2

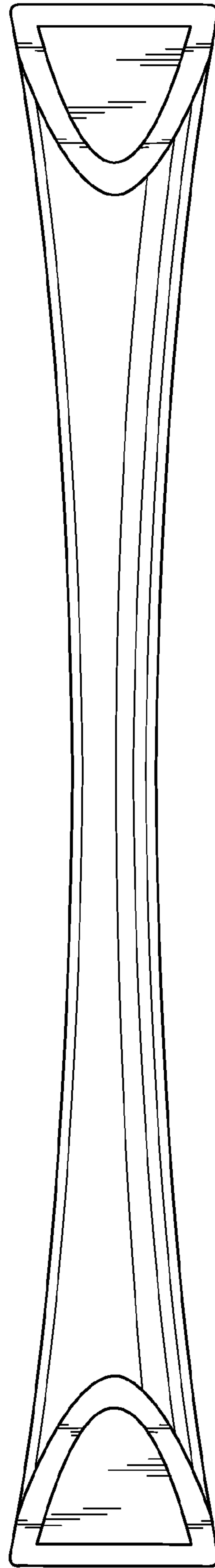


FIG. 3

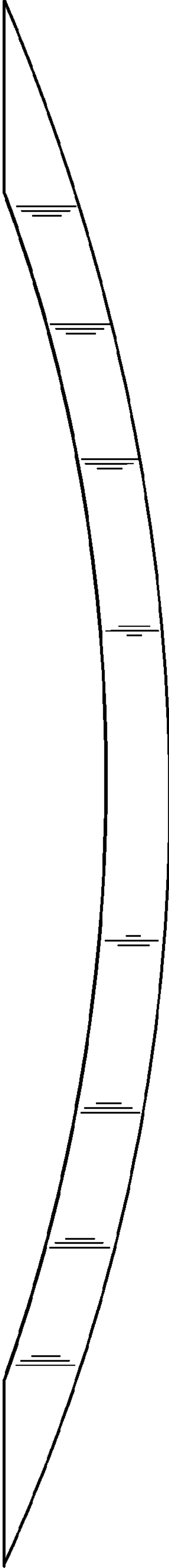


FIG. 4

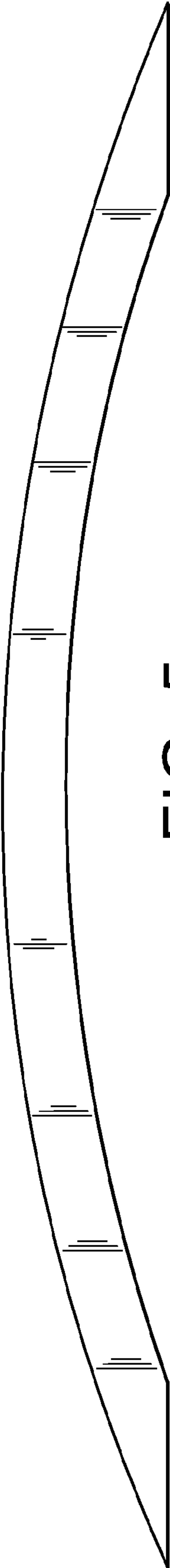


FIG. 5

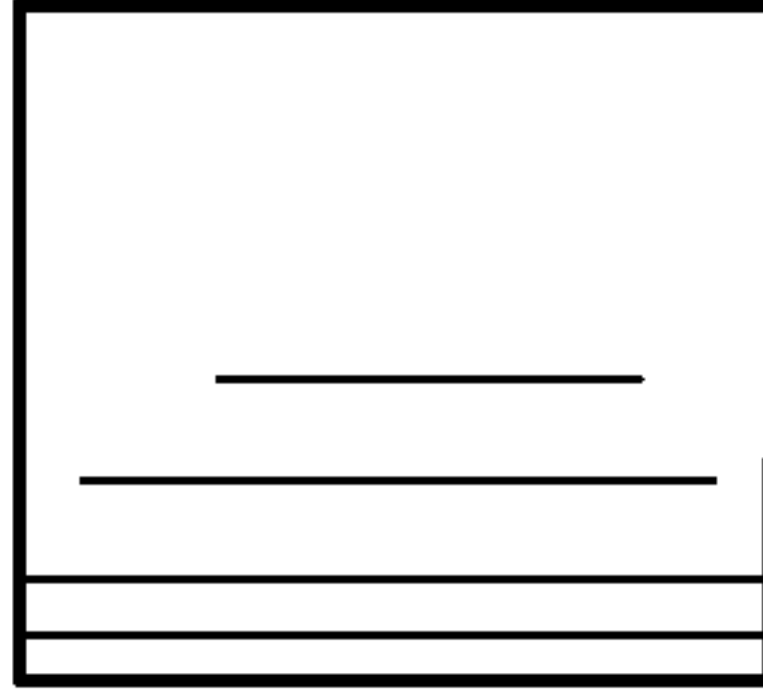


FIG. 6

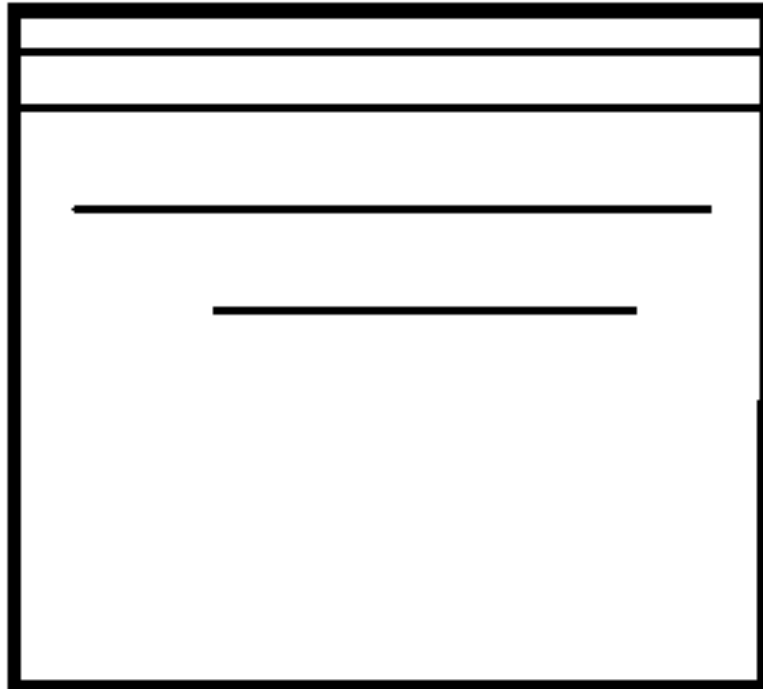


FIG. 7

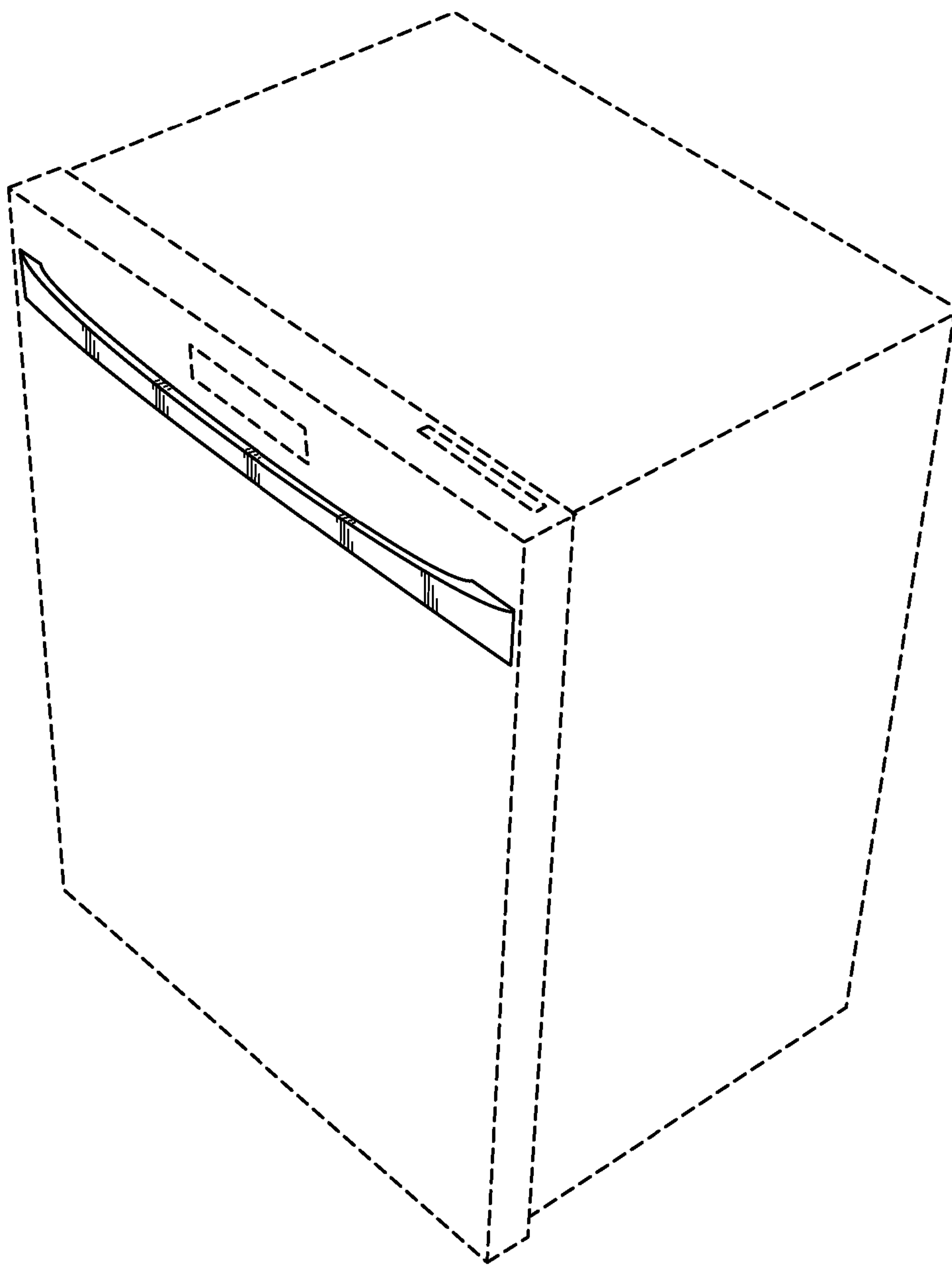


FIG. 8

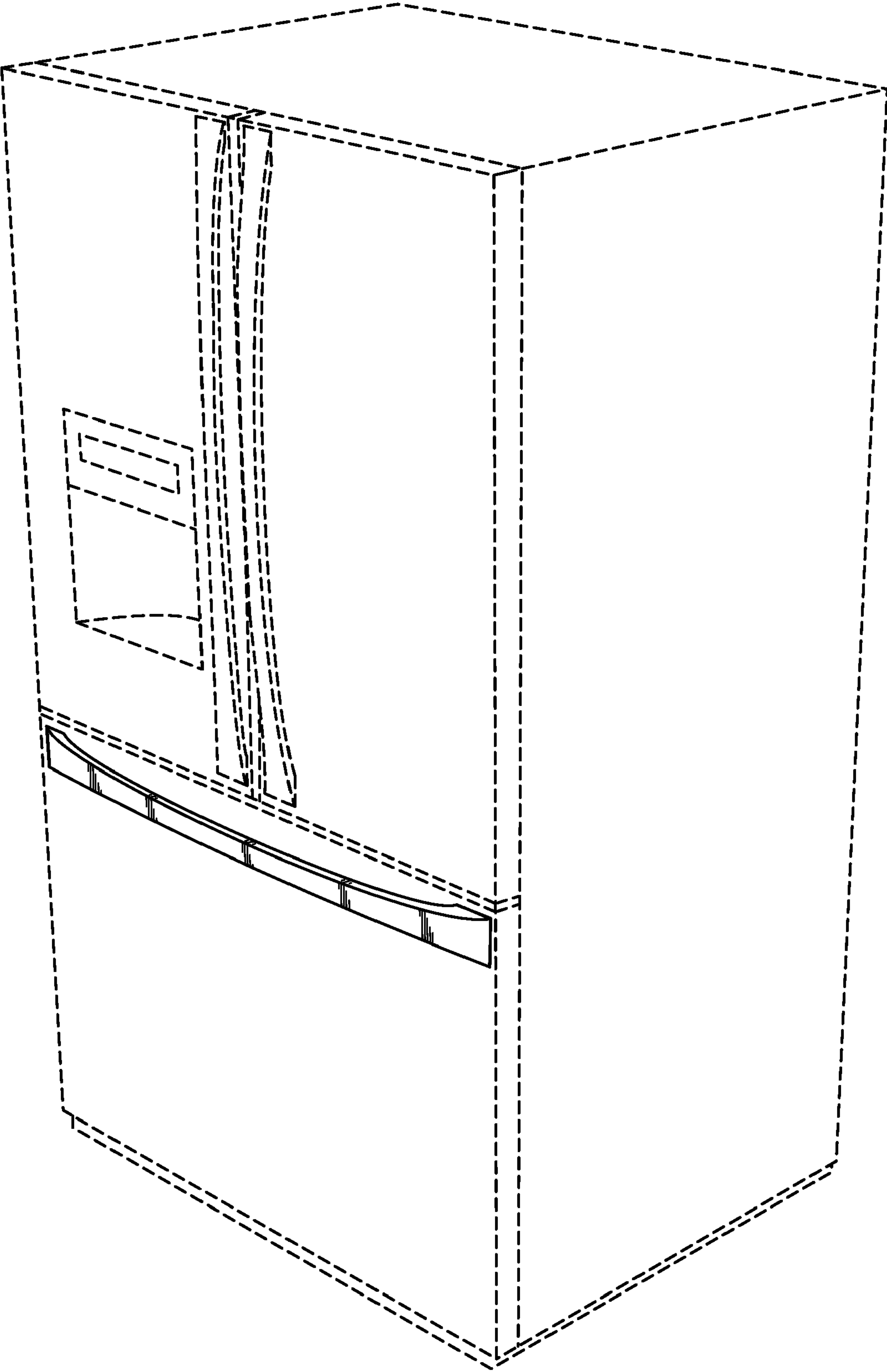


FIG. 9



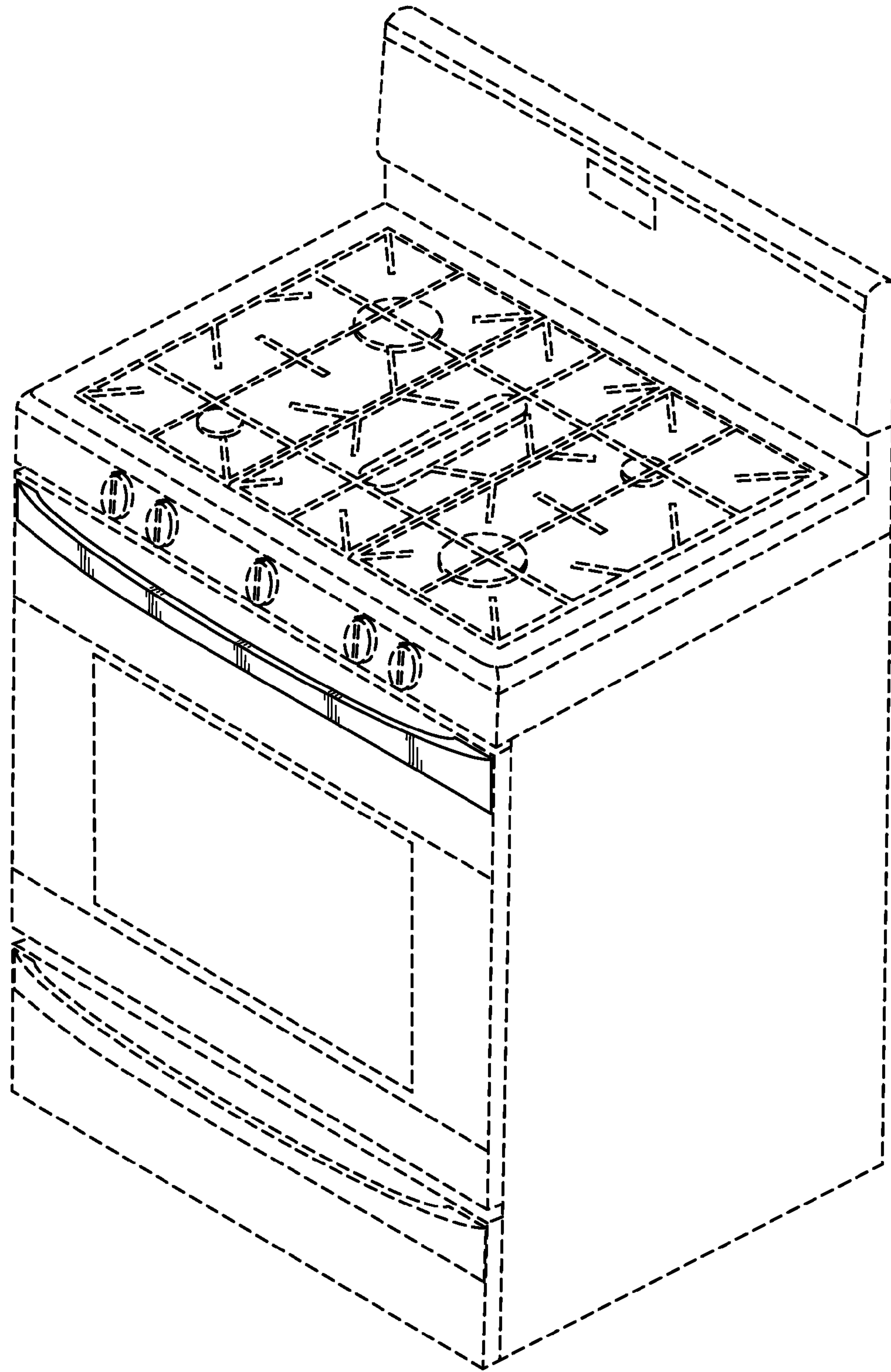


FIG. 10