



US00D614012S

(12) **United States Design Patent**
Saubert et al.

(10) **Patent No.:** **US D614,012 S**
(45) **Date of Patent:** **** Apr. 20, 2010**

(54) **APPLIANCE HANDLE**

D520,535 S * 5/2006 Lee et al. D15/91

(75) Inventors: **Michael Saubert**, Hoffman Estates, IL (US); **Ellen T. Glassman**, Closter, NJ (US); **Jason S. Silverstein**, Schaumburg, IL (US); **Mark Bonner**, West Bloomfield, MI (US); **Dave Thimm**, Plymouth, MI (US); **Dan Genord**, South Lyon, MI (US)

(Continued)

OTHER PUBLICATIONS

Dacor, The Life of the Kitchen, Dacor Kitchen Appliances: Preference Discovery Single Wall Ovens, <http://www.dacor.com/Our-Products/Wall-Ovens/Preference-Discovery-Single-Wall-Oven>, Nov. 18, 2008.

Primary Examiner—Stella M Reid

Assistant Examiner—Mark A Goodwin

(73) Assignee: **Sears Brands, L.L.C.**, Hoffman Estates, IL (US)

(74) *Attorney, Agent, or Firm*—Eric J. Maiers; Greenberg Traurig, LLP

(**) Term: **14 Years**

(57) **CLAIM**

(21) Appl. No.: **29/343,685**

The ornamental design for an appliance handle, as shown and described.

(22) Filed: **Sep. 17, 2009**

(51) **LOC (9) Cl.** **08-06**

DESCRIPTION

(52) **U.S. Cl.** **D8/317; D8/300; D15/89**

FIG. 1 is a perspective view of the appliance handle showing our new design;

(58) **Field of Classification Search** D8/300,

D8/301, 302, 305, 306, 307–313, 315–318,

FIG. 2 is a front elevational view thereof;

D8/319–322, DIG. 1, DIG. 2, DIG. 10; D15/89,

FIG. 3 is a rear elevational view thereof;

D15/87, 91; D7/393, 394, 402, 349; D3/318;

FIG. 4 is a top plan view thereof;

D6/549, 524, 533, 550, 546, 446; D23/303,

FIG. 5 is a bottom plan view thereof;

D23/304, 305, 250–254; 16/441, 118, 110 R,

FIG. 6 is a left side elevational view thereof;

16/111 R, DIG. 19, DIG. 30, 110.1, 412,

FIG. 7 is a right side elevational view thereof;

16/414–420, 443–446; 292/336.3; 211/16,

FIG. 8 is a perspective view thereof shown in use condition on a dish washer;

211/182; 220/752–754

See application file for complete search history.

FIG. 9 is a perspective view thereof shown in use condition on a refrigerator; and,

(56) **References Cited**

U.S. PATENT DOCUMENTS

FIG. 10 is a perspective view thereof shown in use condition on a stove.

D119,283 S * 3/1940 Rettich D8/317

The broken line showing of the dish washer, refrigerator, and stove in FIGS. 8–10 and the extra appliance handles in FIGS. 9 and 10 is included for the purpose of illustrating environmental structure only and forms no part of the claimed design.

D129,484 S * 9/1941 Jiranek D6/446

D210,561 S * 3/1968 Roberts et al. D15/89

D229,291 S * 11/1973 Frawley D8/317

D342,436 S * 12/1993 Cook et al. D8/317

D379,734 S * 6/1997 Baldwin D7/405

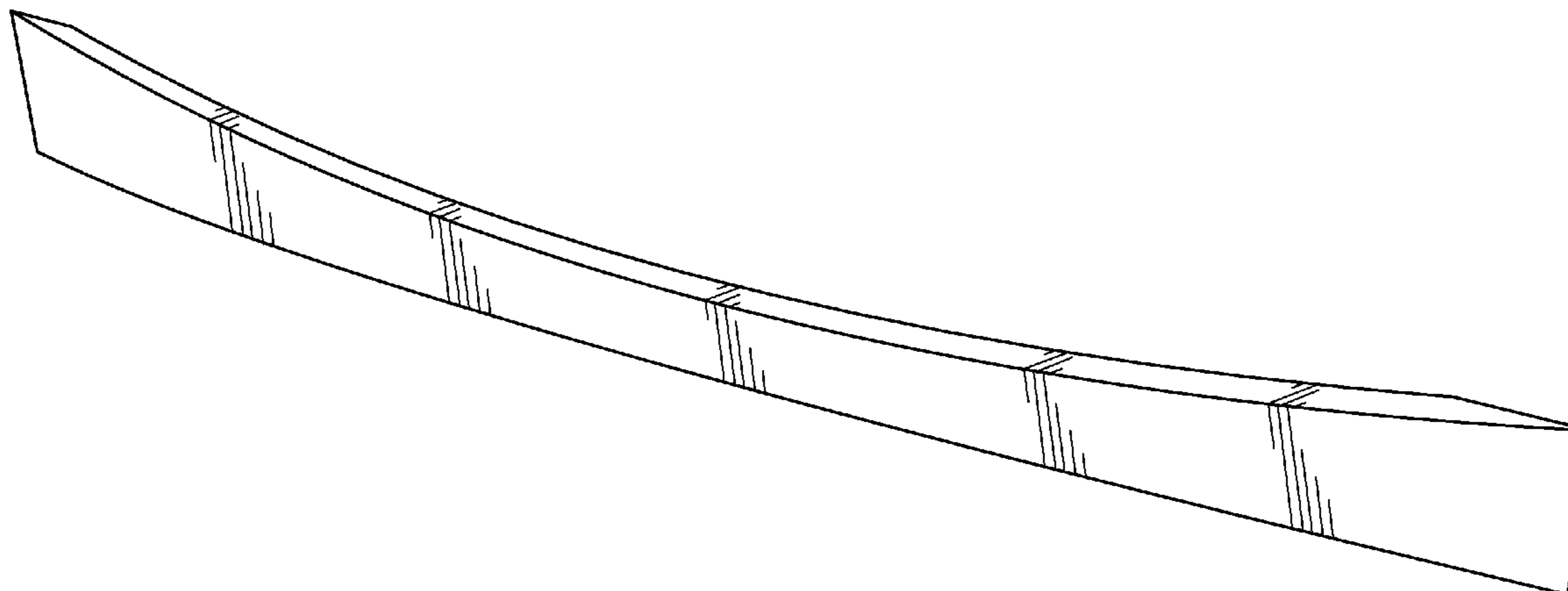
D424,873 S * 5/2000 Holbrook D7/402

D471,403 S * 3/2003 Jones et al. D7/405

6,546,597 B2 * 4/2003 Atalla et al. 16/436

D511,955 S * 11/2005 Baldwin et al. D8/301

1 Claim, 6 Drawing Sheets



US D614,012 S

Page 2

U.S. PATENT DOCUMENTS

D525,476 S *	7/2006	Bengtson et al.	D7/349	D577,567 S *	9/2008	Crookshanks	D8/316
D552,959 S	10/2007	Gilboe		D579,310 S *	10/2008	Suh et al.	D8/315
D553,944 S *	10/2007	Jou	D8/316	D587,067 S *	2/2009	Kim	D7/402
D565,892 S *	4/2008	McConnell et al.	D7/402	D593,139 S *	5/2009	Cline et al.	D15/89
D571,633 S *	6/2008	Shuman et al.	D8/313	D593,799 S *	6/2009	Cruver et al.	D7/402
D572,111 S *	7/2008	Busalt et al.	D8/316	D597,820 S *	8/2009	Kirk	D8/317

* cited by examiner

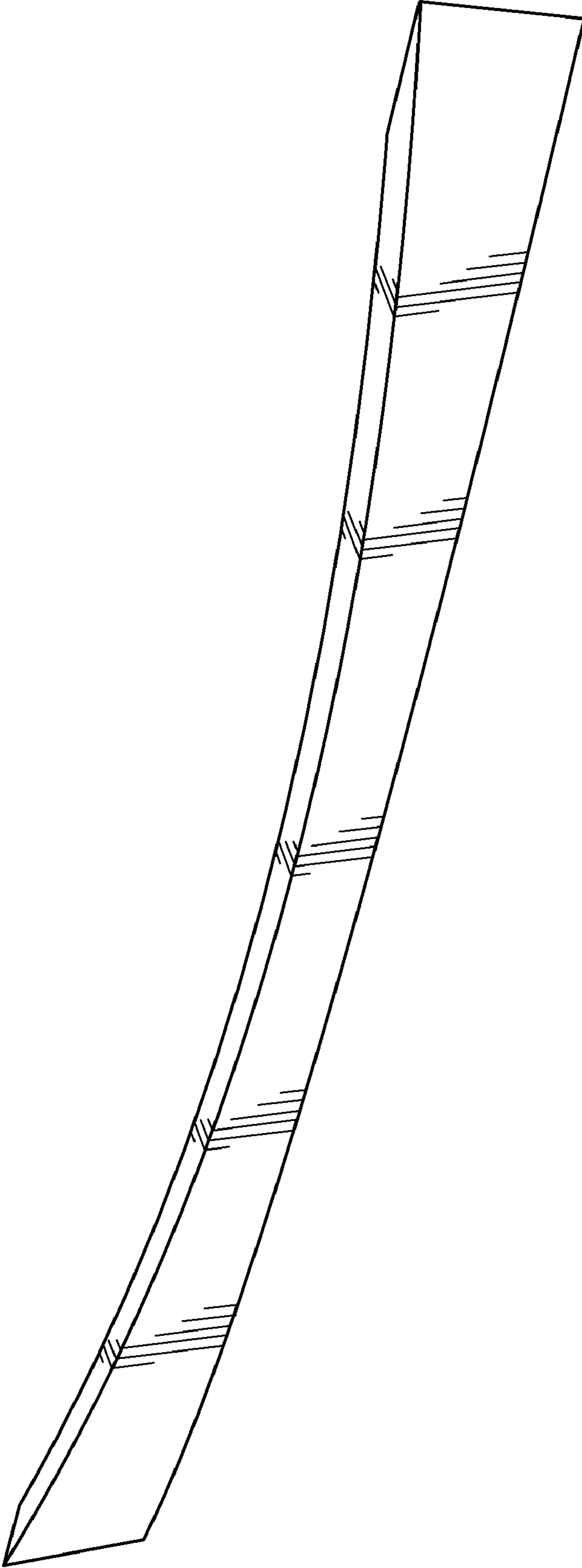


FIG. 1

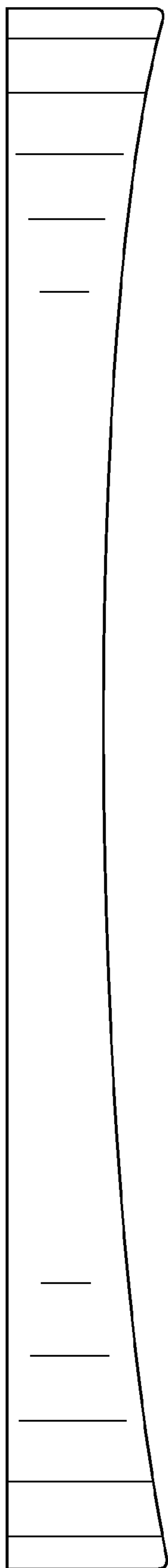


FIG. 2

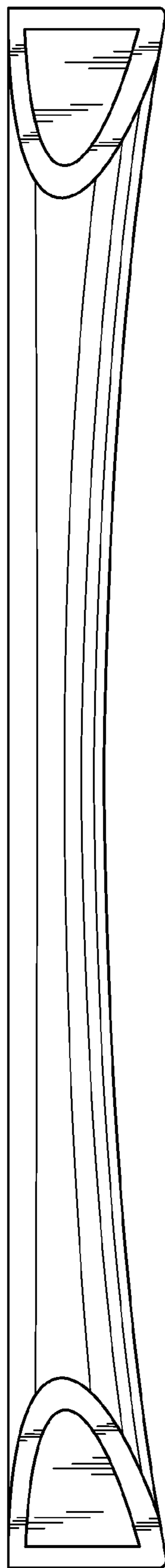


FIG. 3

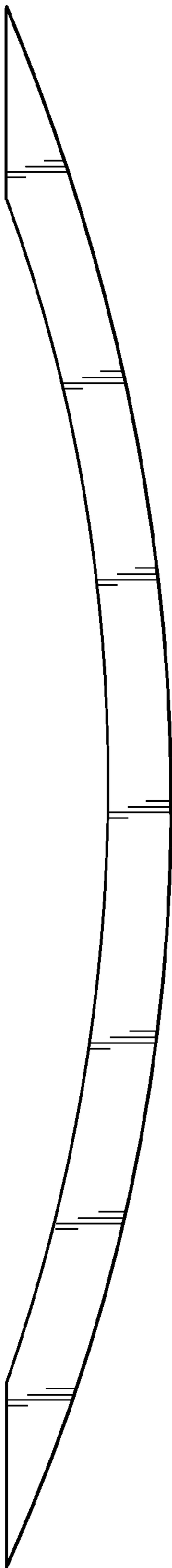


FIG. 4



FIG. 5

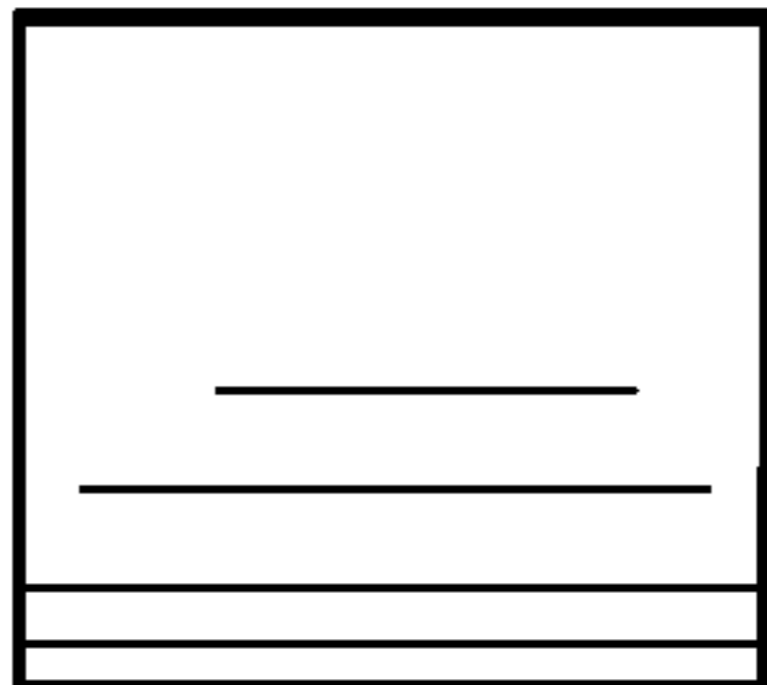


FIG. 6

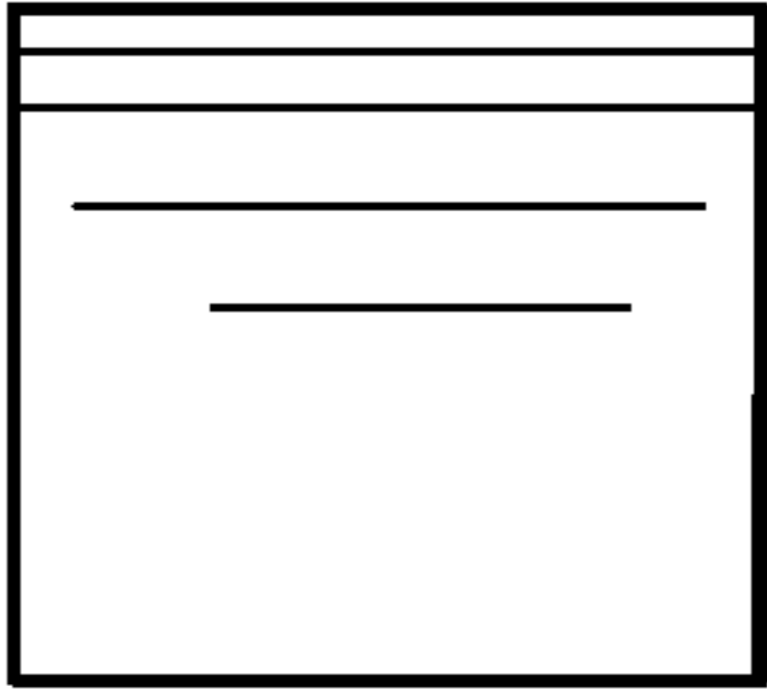


FIG. 7

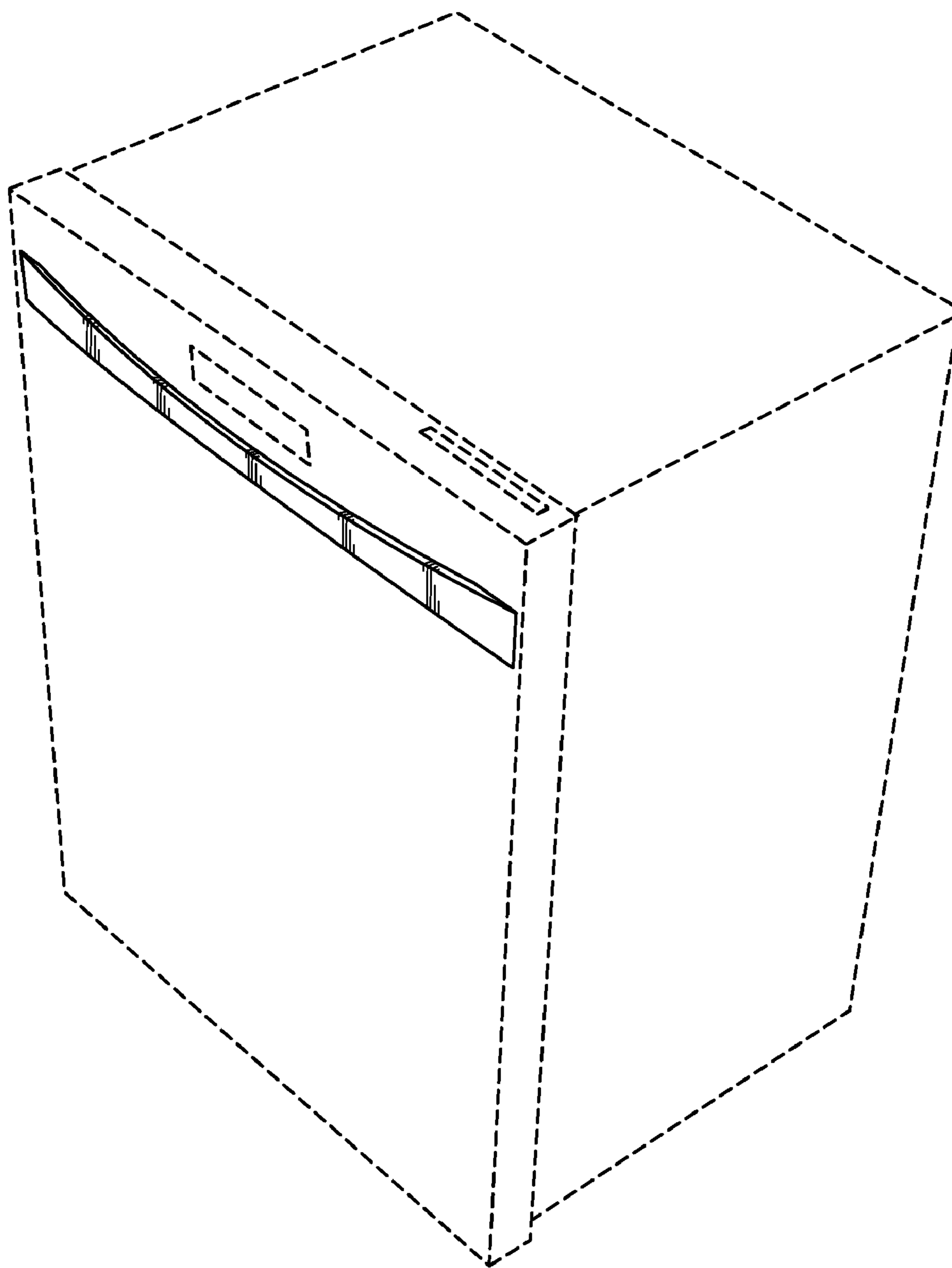


FIG. 8

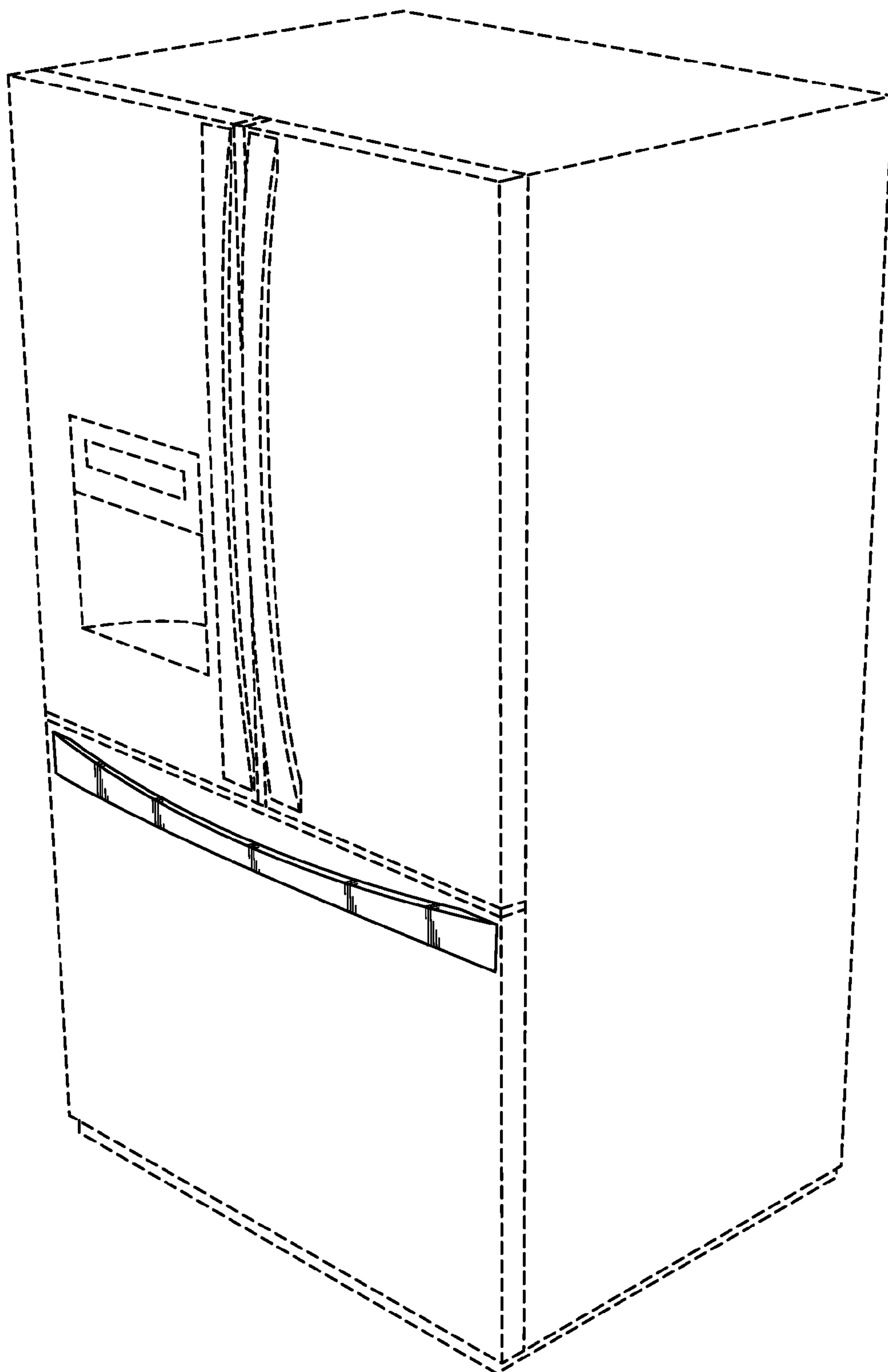


FIG. 9

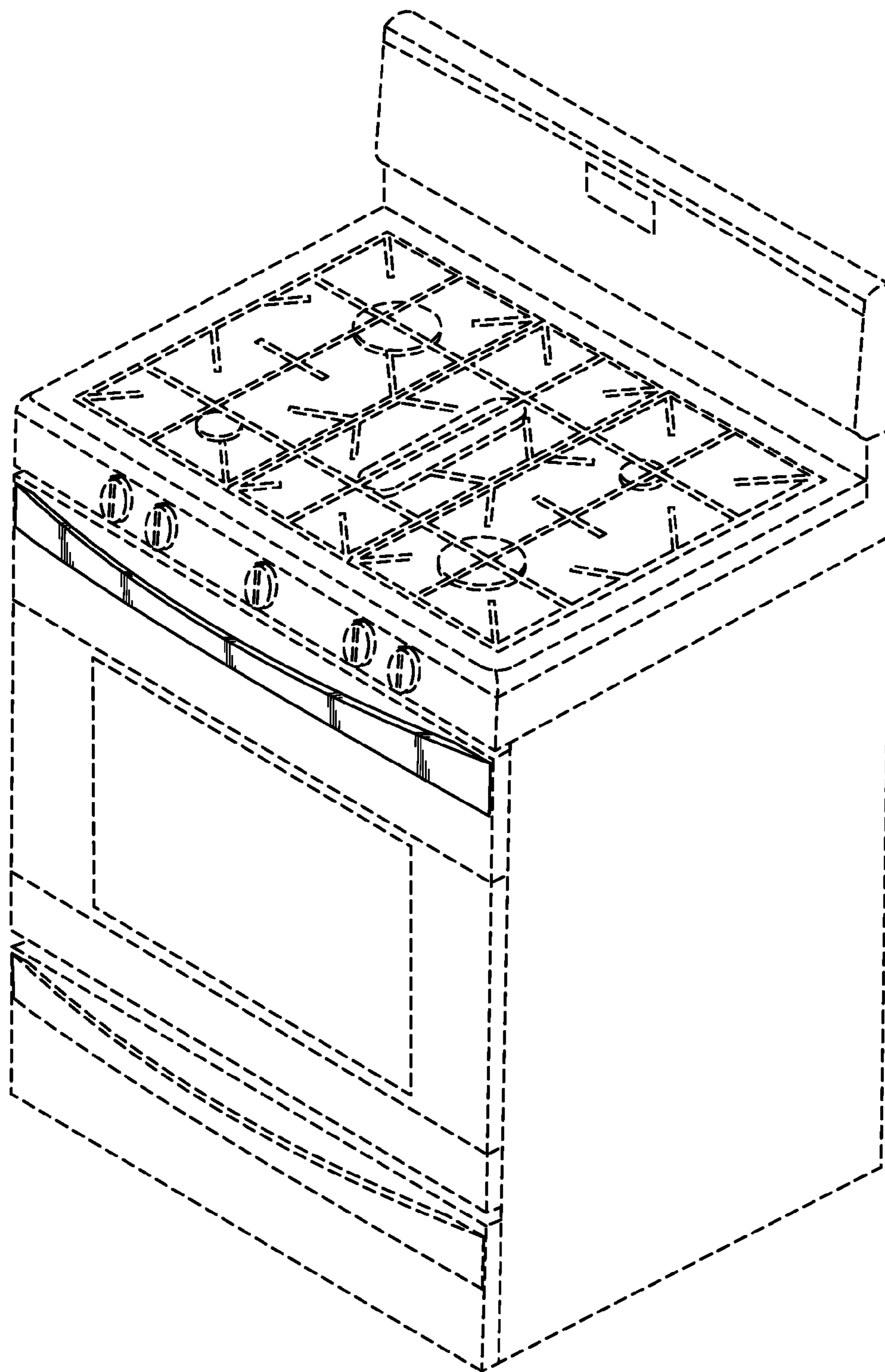


FIG. 10