



US00D614009S

(12) **United States Design Patent**
Deglon

(10) **Patent No.:** **US D614,009 S**
(45) **Date of Patent:** **** Apr. 20, 2010**

(54) **SHARPENING MACHINE FOR SHARPENING KNIVES**

(75) Inventor: **Thierry Deglon**, Dorat (FR)

(73) Assignee: **ETS Jean Deglon** (FR)

(**) Term: **14 Years**

(21) Appl. No.: **29/319,425**

(22) Filed: **Jun. 9, 2008**

(30) **Foreign Application Priority Data**

Dec. 7, 2007 (FR) 841 218

(51) **LOC (9) Cl.** **08-85**

(52) **U.S. Cl.** **D8/63**

(58) **Field of Classification Search** D8/63,
D8/91, 93; 451/163, 193, 241, 259, 267,
451/282, 293; 76/82

See application file for complete search history.

(56) **References Cited**

U.S. PATENT DOCUMENTS

- D310,620 S * 9/1990 Friel D8/93
- D328,410 S * 8/1992 Friel D8/63
- 5,611,726 A * 3/1997 Friel et al. 451/177
- D409,891 S * 5/1999 Friel et al. D8/93
- D491,783 S * 6/2004 Ikegaki et al. D8/63
- 6,802,763 B1 * 10/2004 Leung 451/267
- 6,932,683 B2 * 8/2005 Li 451/193

- D542,616 S * 5/2007 Elek et al. D8/63
- D543,430 S * 5/2007 Barr et al. D8/63
- D567,611 S * 4/2008 Elek et al. D8/63
- 2003/0077990 A1 * 4/2003 Li 451/293
- 2003/0236061 A1 * 12/2003 Li 451/193
- 2004/0077296 A1 * 4/2004 Friel et al. 451/259

* cited by examiner

Primary Examiner—Cathron C Brooks

Assistant Examiner—Austin Murphy

(74) *Attorney, Agent, or Firm*—Cantor Colburn LLP

(57) **CLAIM**

The ornamental design for a sharpening machine for sharpening knives, as shown.

DESCRIPTION

FIG. 1 is a top plan view of the sharpening machine for sharpening knives showing my new design;

FIG. 2 is a front elevation view thereof;

FIG. 3 is a front perspective view thereof;

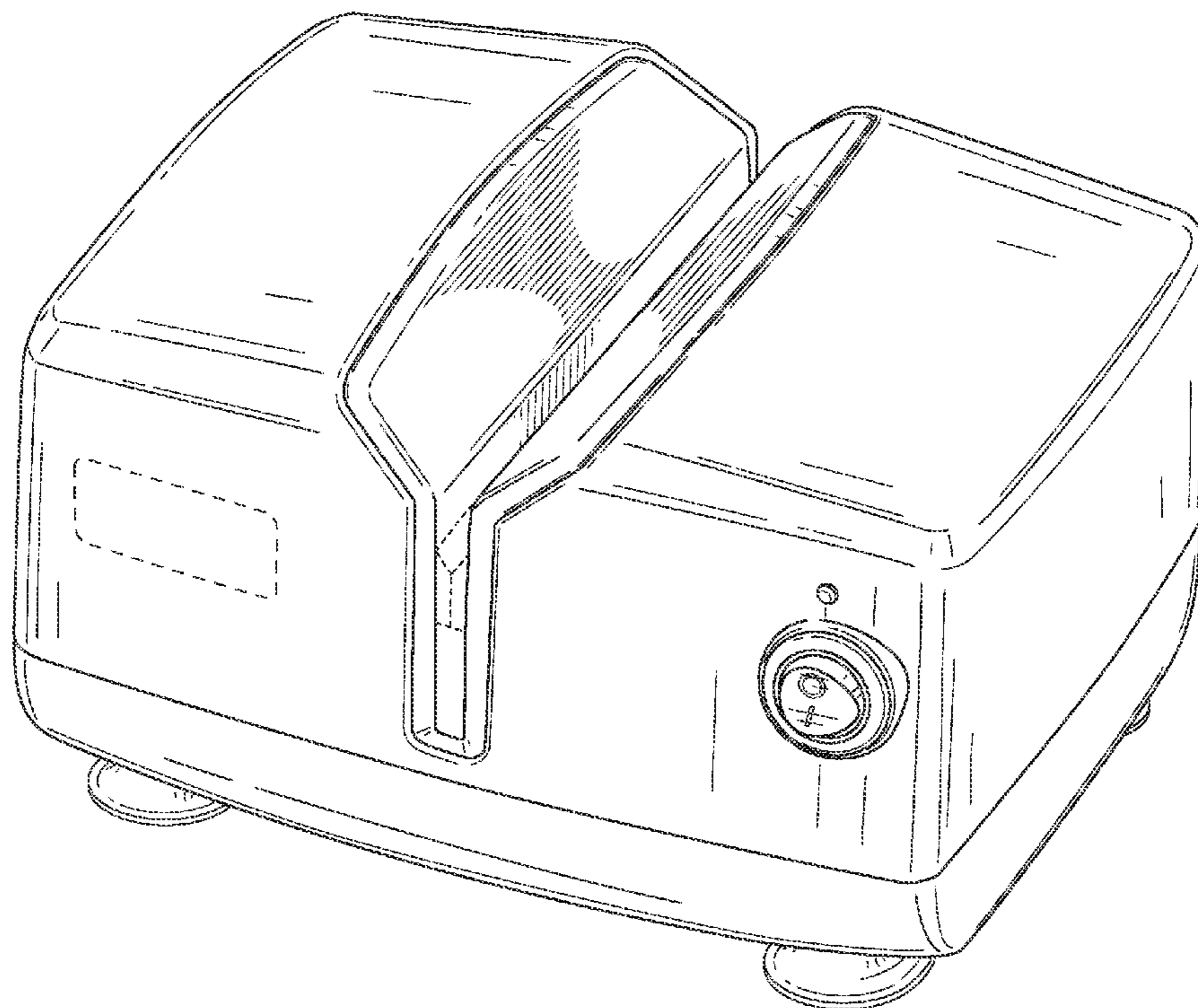
FIG. 4 is a rear elevation view thereof;

FIG. 5 is a side elevation view thereof taken from the right of FIG. 2; and,

FIG. 6 is a side elevation view thereof taken the left of FIG. 2.

The broken lines shown in the drawings represent unclaimed portions of the sharpener and form no part of the claimed design.

1 Claim, 6 Drawing Sheets



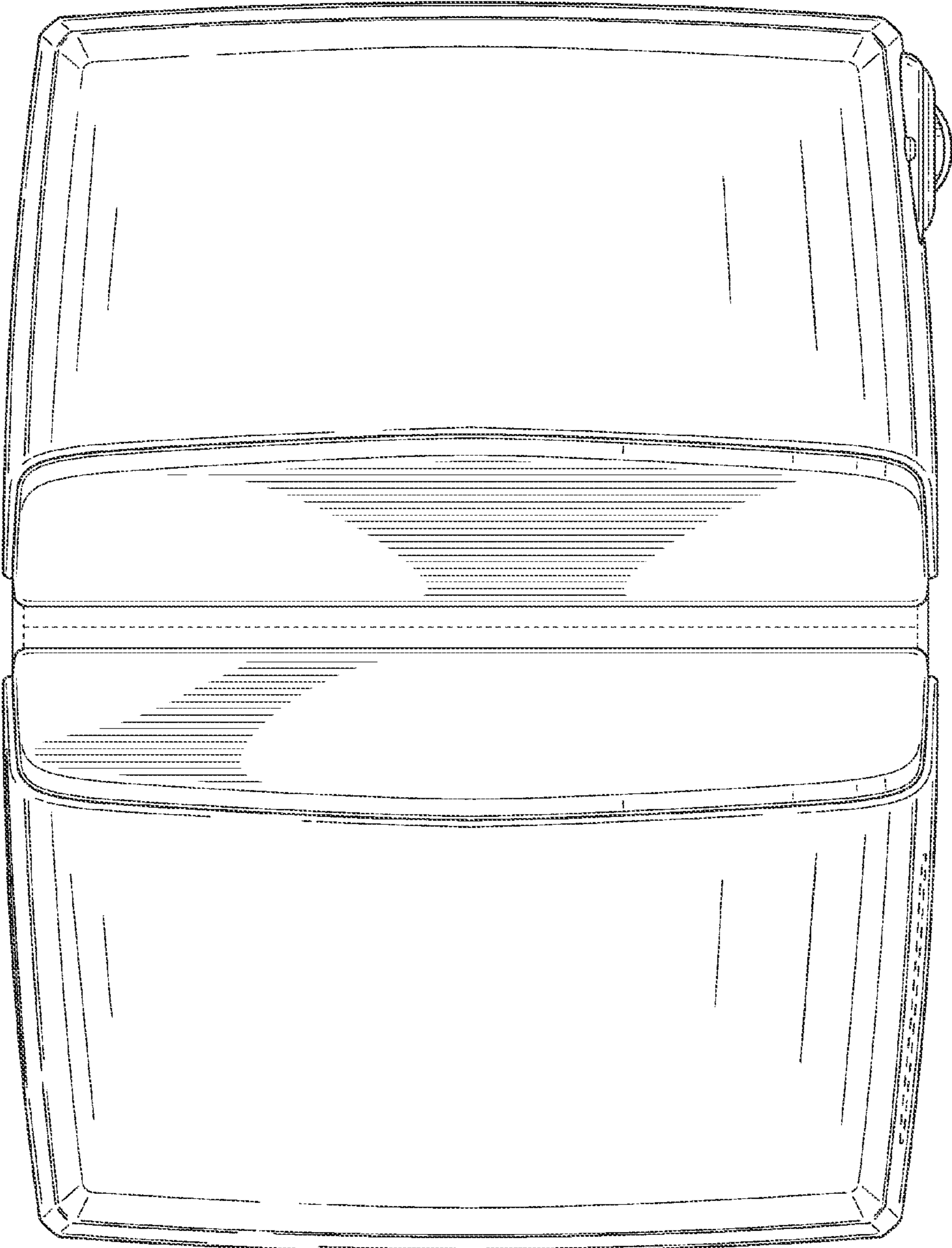


FIG. 1

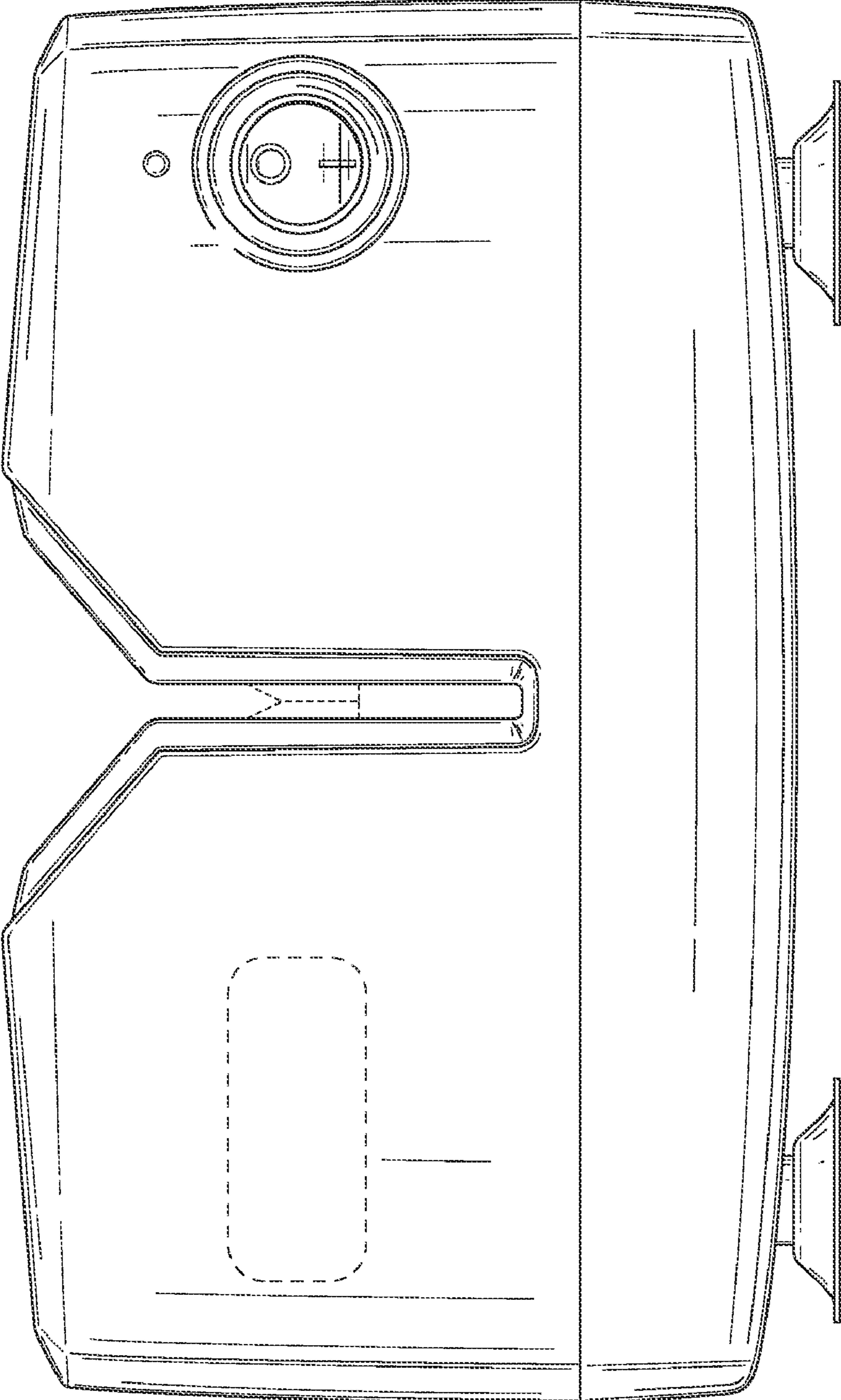


FIG. 2

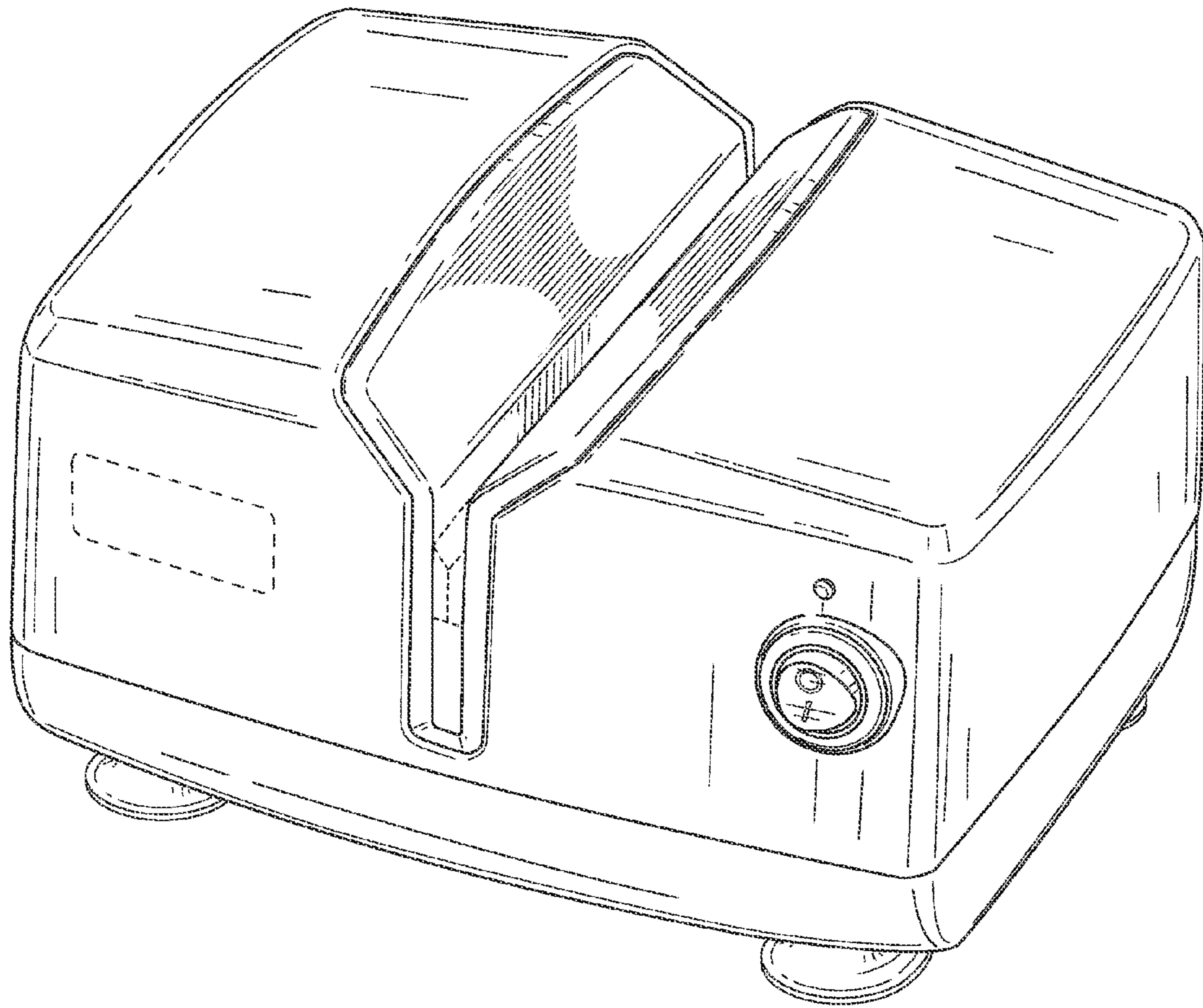


FIG. 3

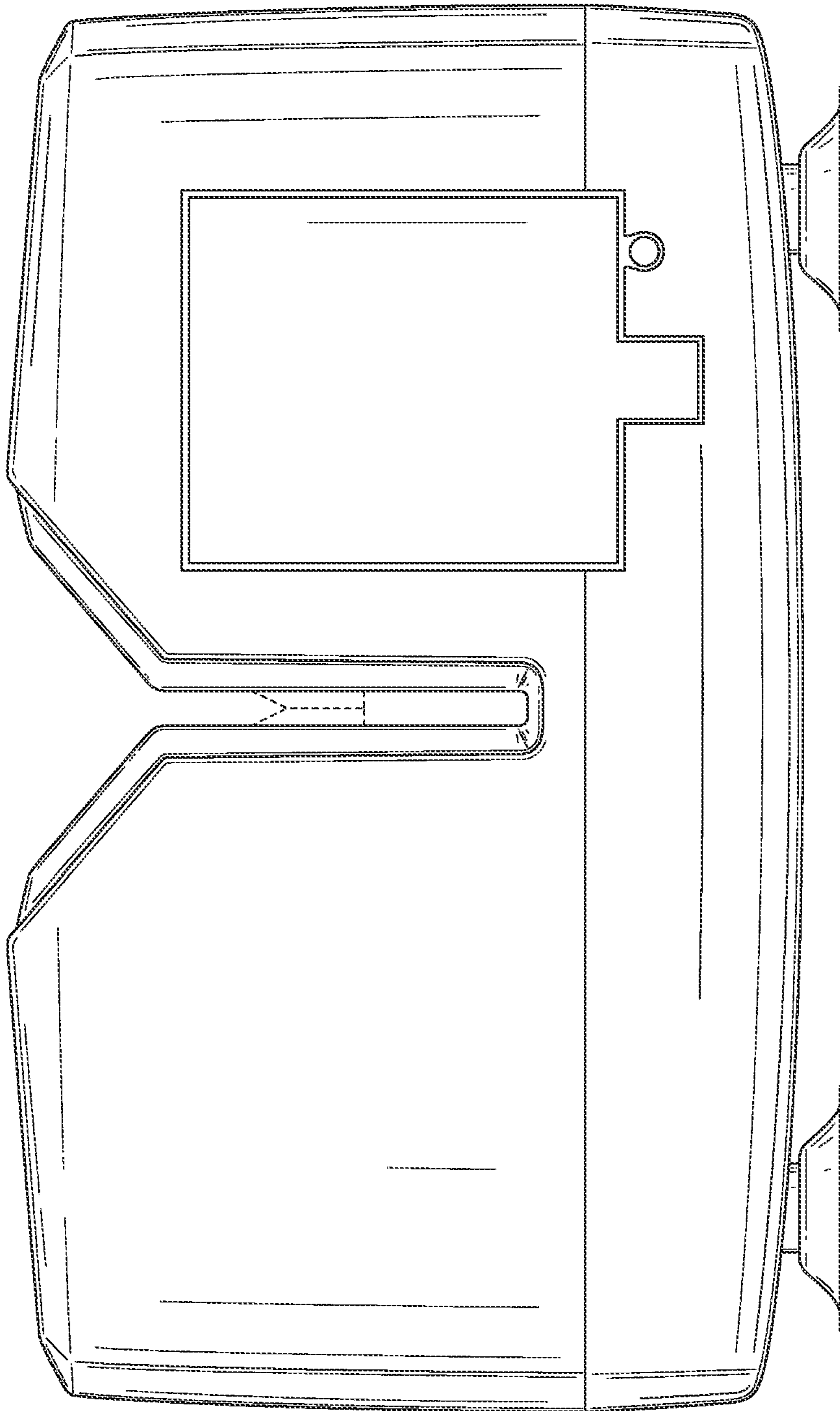


FIG. 4

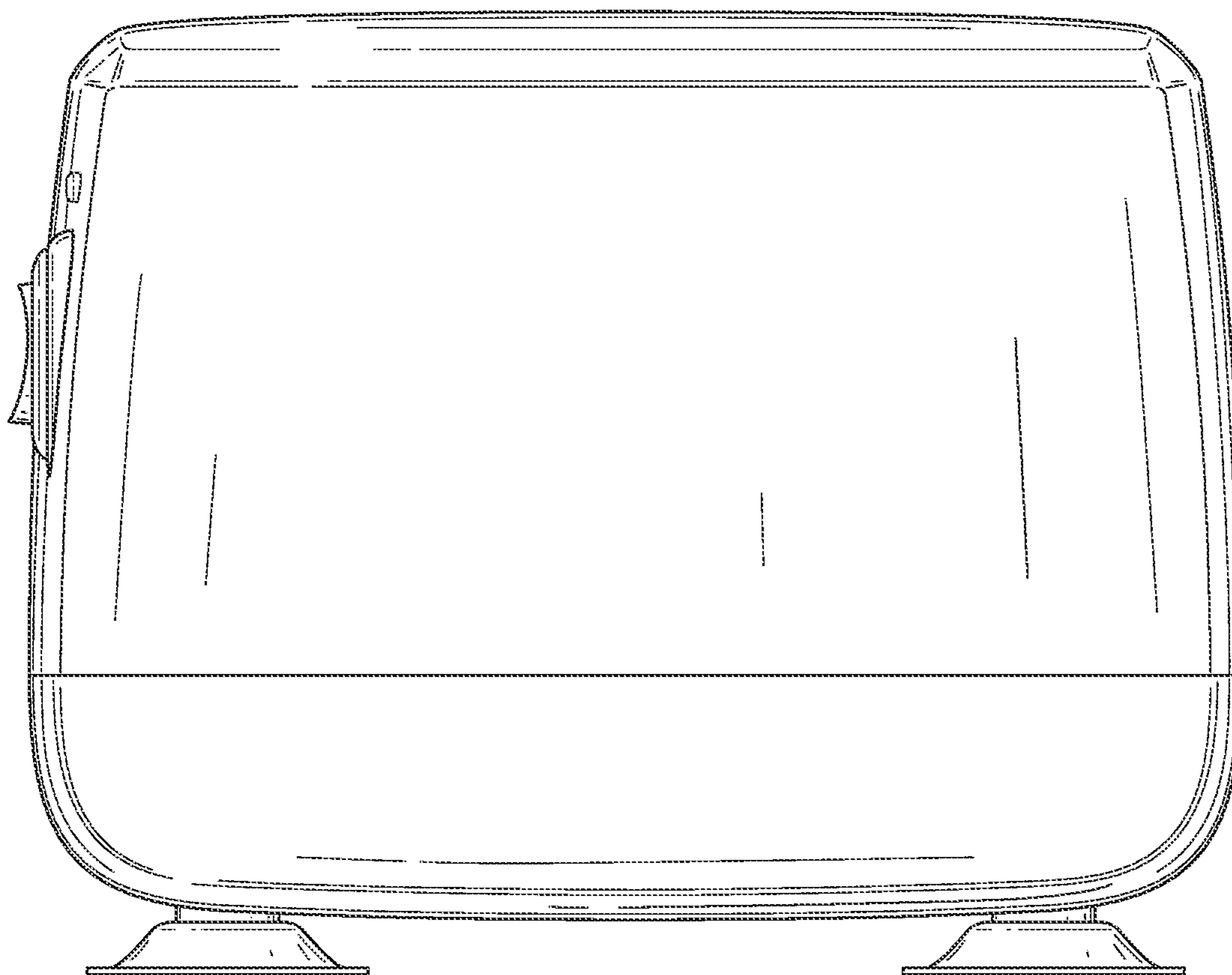


FIG. 5

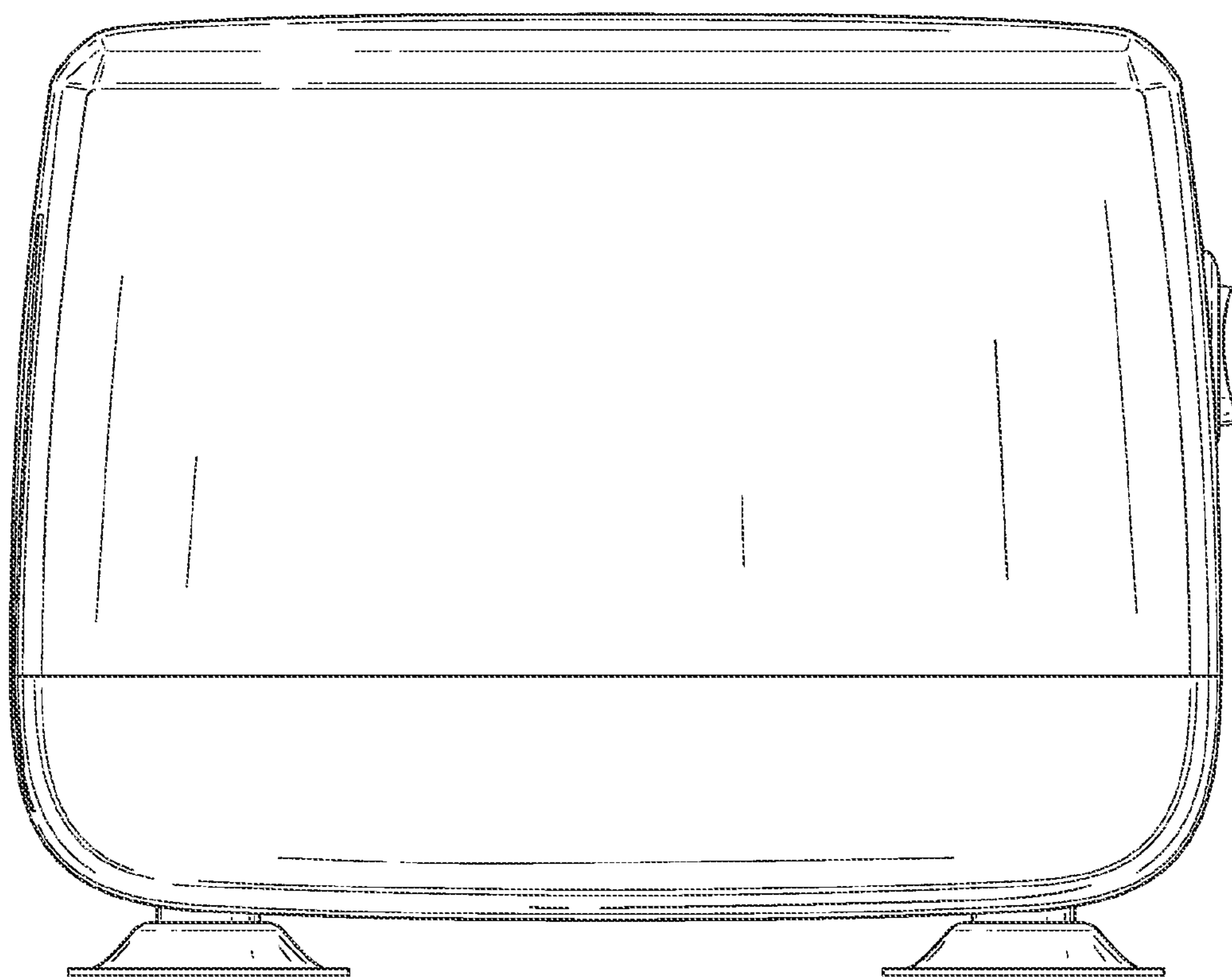


FIG. 6