



US00D614007S

(12) **United States Design Patent**
Fortune

(10) **Patent No.:** **US D614,007 S**
(45) **Date of Patent:** **** Apr. 20, 2010**

(54) **TWEEZERS FOR ELECTRONIC CIRCUIT**

(75) Inventor: **William S. Fortune**, Malibu, CA (US)

(73) Assignee: **EDSYN, Inc.**, Van Nuys, CA (US)

(**) Term: **14 Years**

(21) Appl. No.: **29/316,100**

(22) Filed: **Aug. 24, 2009**

(51) **LOC (9) Cl.** **08-05**

(52) **U.S. Cl.** **D8/52; D28/55**

(58) **Field of Classification Search** D8/4,
D8/5, 14, 22, 23, 51-56, 58-60, 105-107;
81/300, 302, 415-424, 424.5, 426, 426.5,
81/427, 427.5; 29/739-741, 744-756; D28/55;
D15/144-144.2; 294/99.1, 99.2, 100
See application file for complete search history.

(56) **References Cited**

U.S. PATENT DOCUMENTS

90,319	A *	5/1869	Somers	294/99.2
781,277	A *	1/1905	Fahey	433/154
2,623,152	A *	12/1952	Ammon	294/99.2
2,667,094	A *	1/1954	Potter	294/99.2
3,287,547	A *	11/1966	Spedding	362/119
3,291,476	A *	12/1966	Calkin	294/99.2
3,665,790	A *	5/1972	Jones	294/99.2
D253,974	S *	1/1980	Nalbandian	D28/55
D325,501	S *	4/1992	Feng	D8/52
D331,527	S *	12/1992	Feng	D8/52
D340,173	S *	10/1993	Feng	D8/52

5,938,258	A *	8/1999	Femling	294/104
6,235,027	B1 *	5/2001	Herzon	606/51
6,750,431	B2 *	6/2004	Miyazaki	294/99.2
D495,834	S *	9/2004	Todeschini	D28/55
6,866,314	B2 *	3/2005	Cho	294/99.2
D544,647	S *	6/2007	Israel	D28/55
7,269,892	B2 *	9/2007	Miyazaki	29/739
7,456,642	B2 *	11/2008	Saulnier et al.	324/754
D588,746	S *	3/2009	Ross	D28/55
2009/0013529	A1 *	1/2009	Nelson et al.	29/748

* cited by examiner

Primary Examiner—Cathron C Brooks

Assistant Examiner—Deanna Fluegeman

(74) *Attorney, Agent, or Firm*—Leon D. Rosen

(57) **CLAIM**

The ornamental design for tweezers for electronic circuit, as shown and described.

DESCRIPTION

FIG. 1 is a top isometric view of a tweezers for electronic circuit.

FIG. 2 is a left side elevation thereof, the right side elevation view being a mirror image thereof.

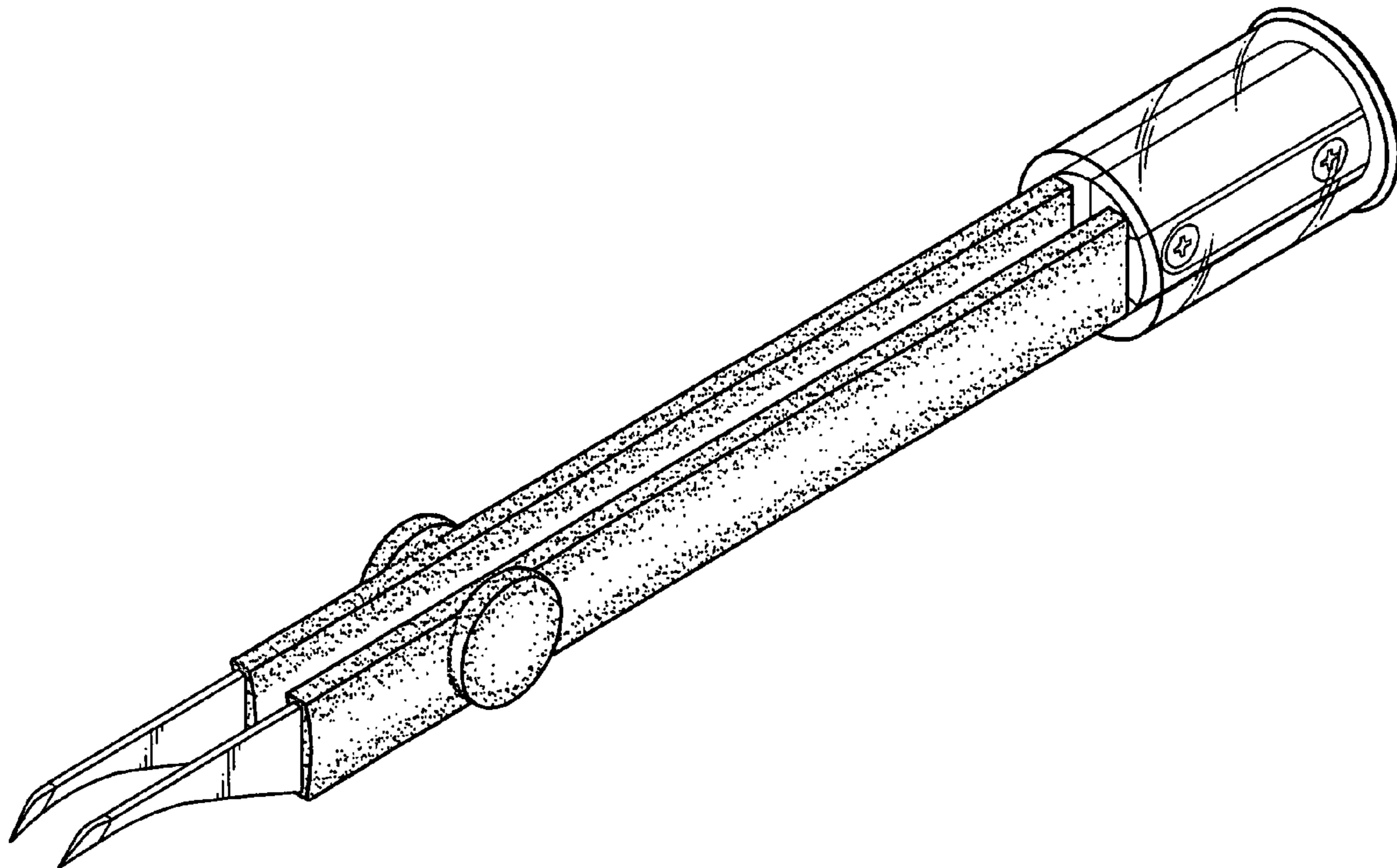
FIG. 3 is a top view thereof.

FIG. 4 is a bottom view thereof.

FIG. 5 is a front elevation view thereof; and,

FIG. 6 is a rear elevation view thereof.

1 Claim, 3 Drawing Sheets



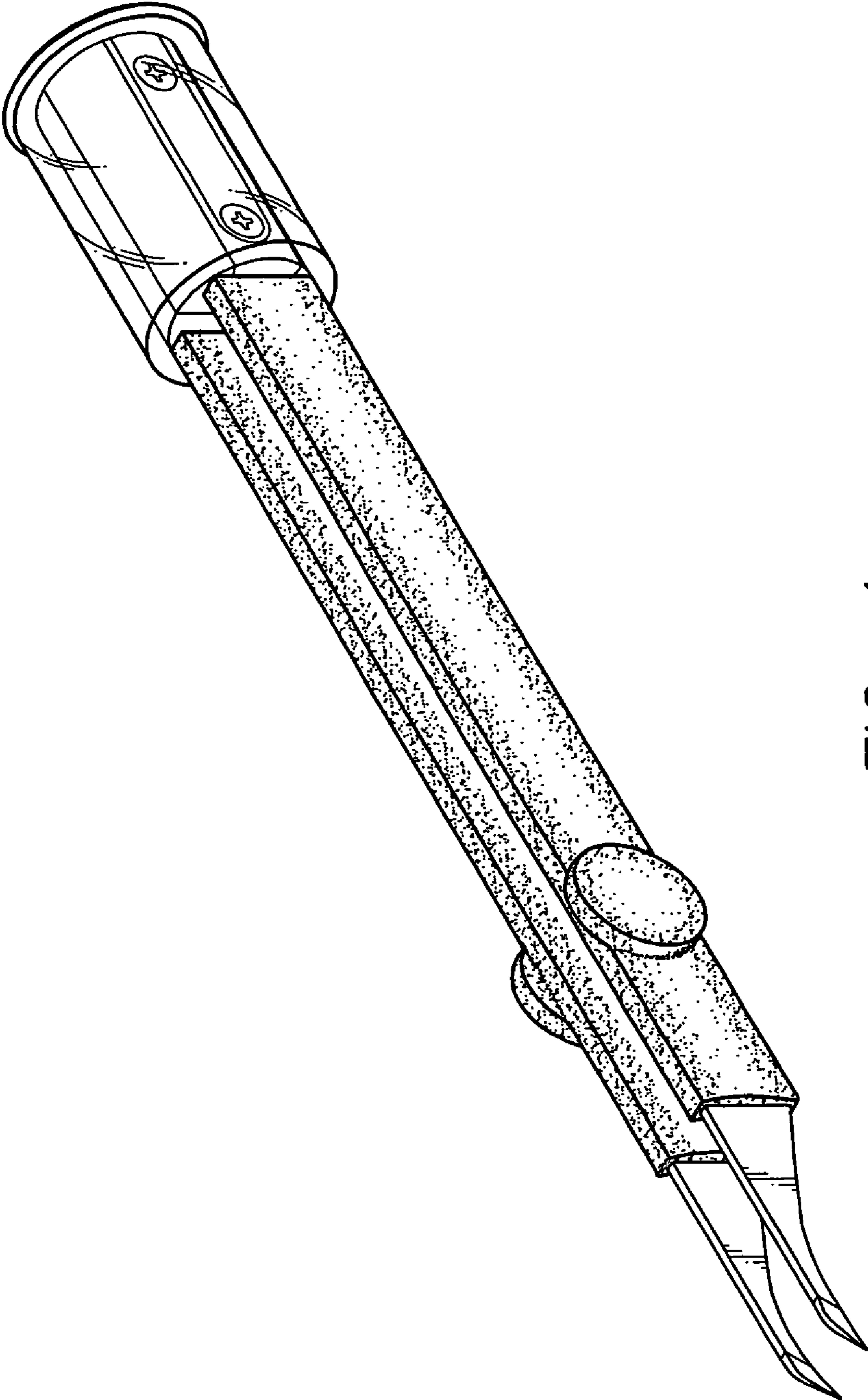


FIG. 1

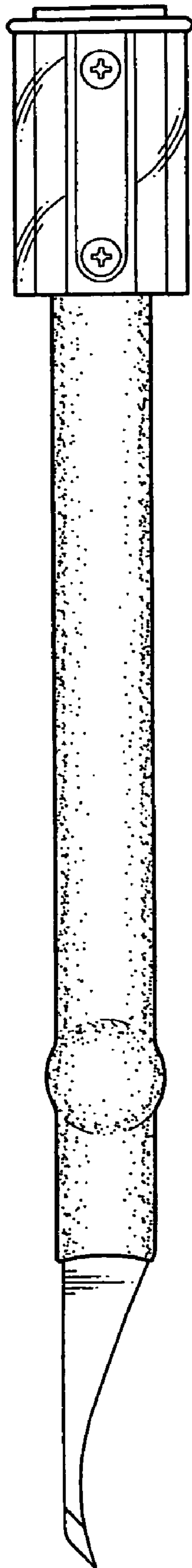


FIG. 2

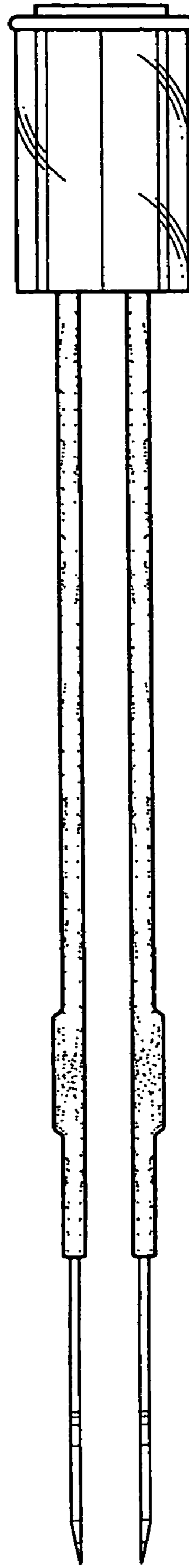


FIG. 3

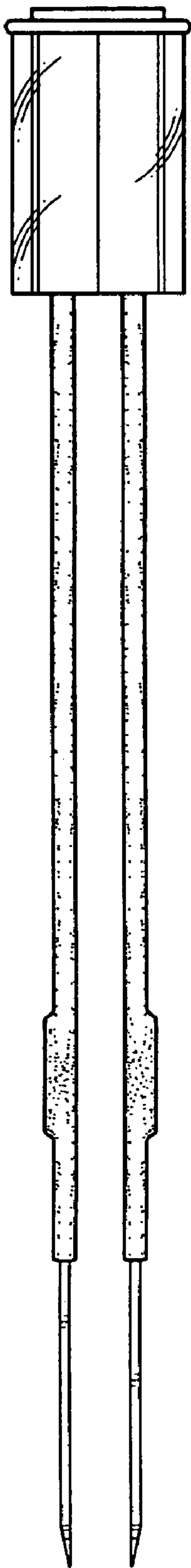


FIG. 4

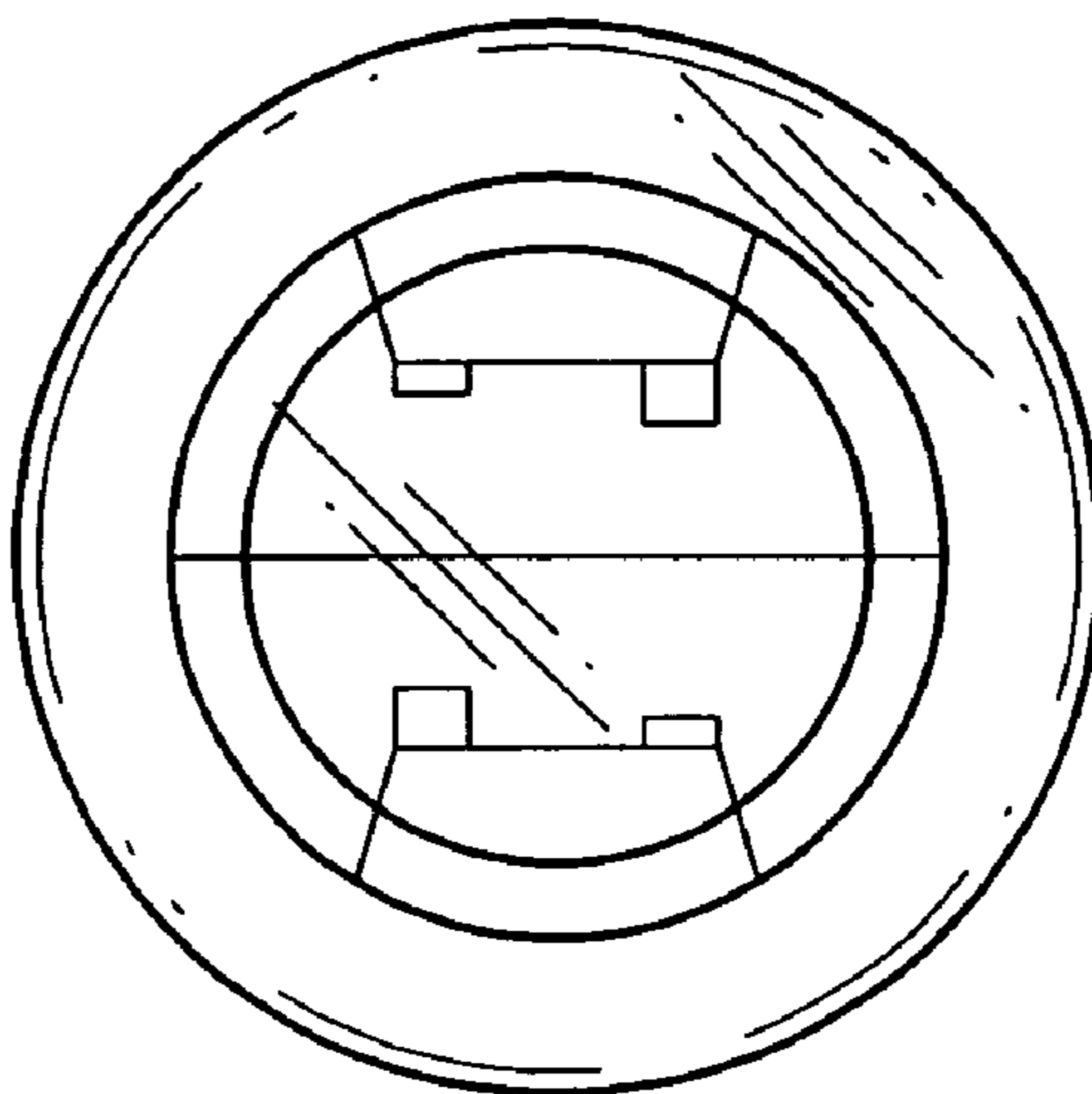


FIG. 6

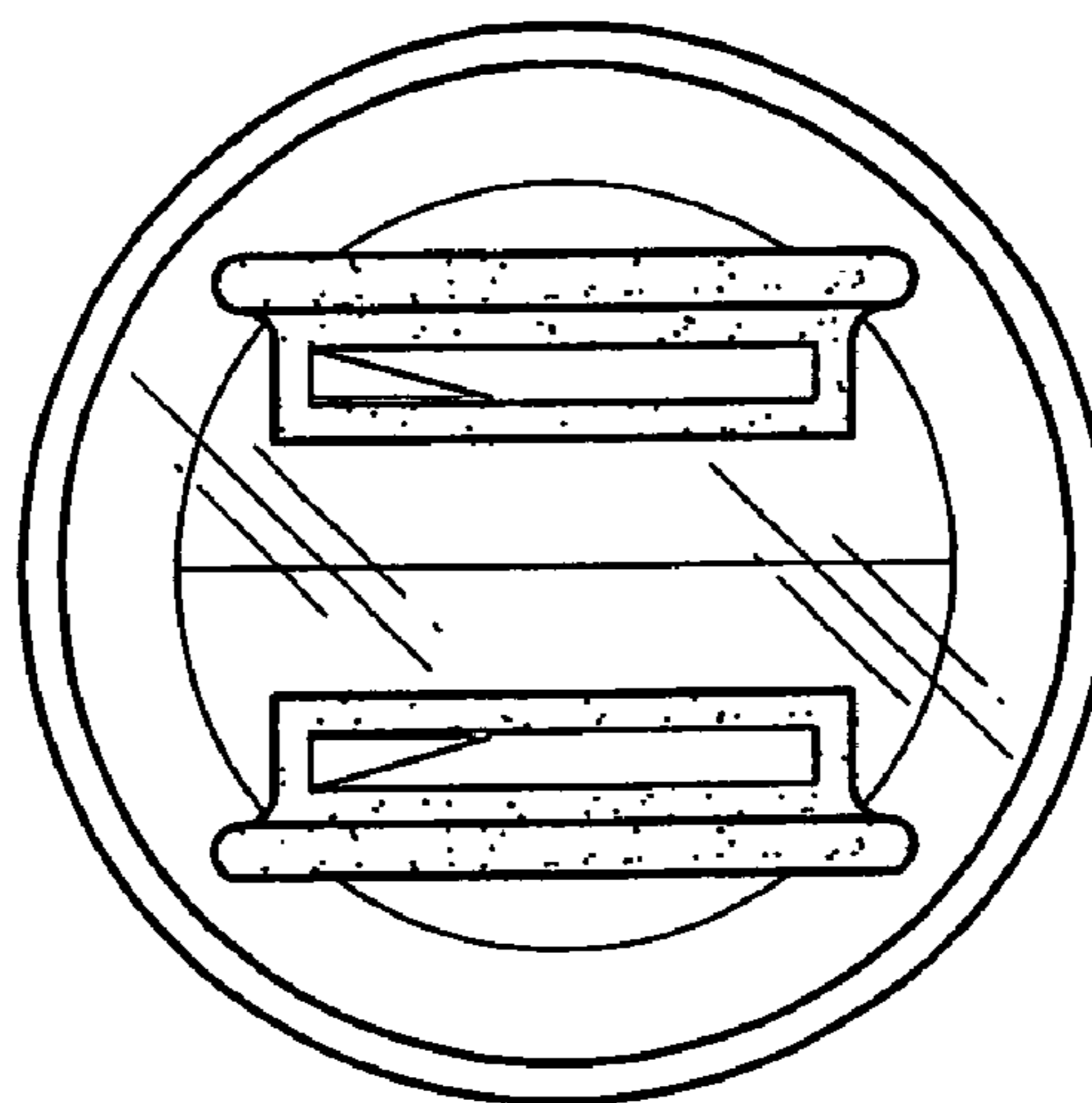


FIG. 5