



US00D614005S

(12) **United States Design Patent**
Miller et al.

(10) **Patent No.:** **US D614,005 S**
(45) **Date of Patent:** **** Apr. 20, 2010**

- (54) **TORQUE WRENCH FOR AN ULTRASONIC INSTRUMENT**
- (75) Inventors: **Matthew C. Miller**, Cincinnati, OH (US); **William D. Kelly**, Mason, OH (US); **David L. Hamann**, Cincinnati, OH (US); **Tony C. Siebel**, Cincinnati, OH (US)
- (73) Assignee: **Ethicon Endo-Surgery, Inc.**, Cincinnati, OH (US)

5,057,119 A	10/1991	Clark et al.	
5,059,210 A	10/1991	Clark et al.	
5,776,155 A	7/1998	Beaupre et al.	
D417,382 S *	12/1999	Saladino, Jr.	D8/107
D420,885 S *	2/2000	Lin	D8/107
D427,030 S *	6/2000	Wen	D8/1
D447,047 S *	8/2001	Clifford	D8/373
D474,097 S *	5/2003	Hsiao	D8/107
D479,111 S *	9/2003	Wang	D8/83
D514,917 S *	2/2006	Coudurier	D8/107
D557,101 S *	12/2007	Grishaber	D8/107
2007/0282332 A1	12/2007	Witt et al.	

(**) Term: **14 Years**

(21) Appl. No.: **29/342,441**

(22) Filed: **Aug. 25, 2009**

- (51) **LOC (9) Cl.** **08-05**
- (52) **U.S. Cl.** **D8/24**
- (58) **Field of Classification Search** D8/17,
D8/21-29, 52, 55, 81-87, 102-107, 98, 99,
D8/93, 94; 81/119, 121.1, 86, 124.2, 125,
81/125.1, 176.1, 176.2, 177.1, 177.2, 177.3,
81/177.85, 124.3, 124.7, 176.3, 179, 160,
81/3.57, 3.55, 58.3, 300, 58.1, 60-63.2, 165-170,
81/110.1, 124.6, 176.15, 58.4, 121.7, 436,
81/437, 418, 186, 177.8, 177.9, 185.1, 3.4,
81/177.4, 492, 57, 58, 13, 177.7, 490, 415-423,
81/427.5; 140/119; 16/422, 186, 429, 430;
D24/133, 144, 147

See application file for complete search history.

(56) **References Cited**

U.S. PATENT DOCUMENTS

D245,062 S * 7/1977 Grame D8/83

* cited by examiner

Primary Examiner—Sandra Snapp
Assistant Examiner—Randall H Gholson

(57) **CLAIM**

The ornamental design for a torque wrench for an ultrasonic instrument, as shown and described.

DESCRIPTION

FIG. 1 is a perspective view of a torque wrench for an ultrasonic instrument as seen from the top, back, right and left sides;

FIG. 2 is a top plan view thereof;

FIG. 3 is a side elevation view thereof;

FIG. 4 is a back end plan view thereof; and,

FIG. 5 is a front end plan view thereof.

The portions of the torque wrench for an ultrasonic instrument shown in broken lines form no part of the claimed design.

1 Claim, 3 Drawing Sheets

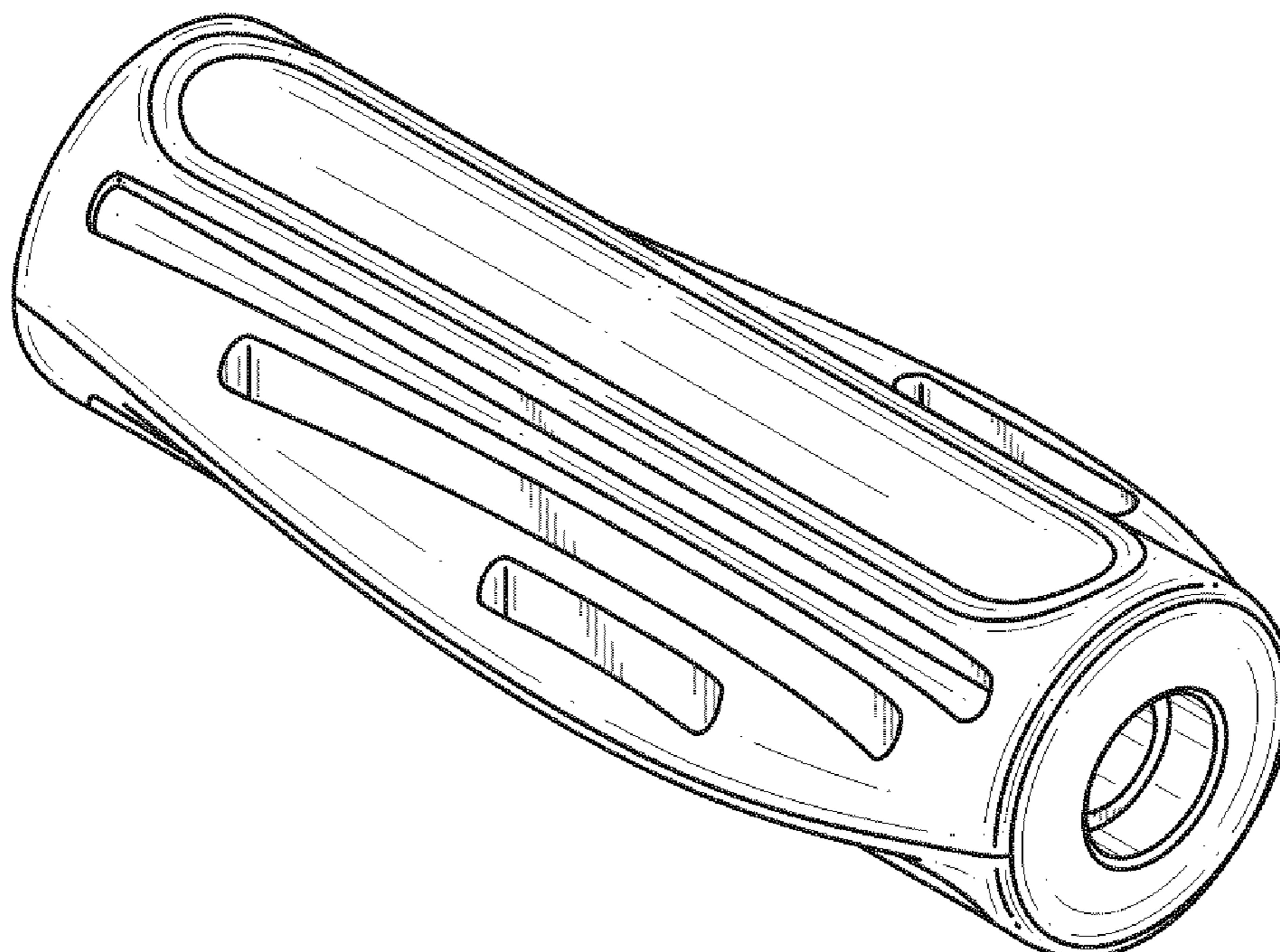


FIG. 1

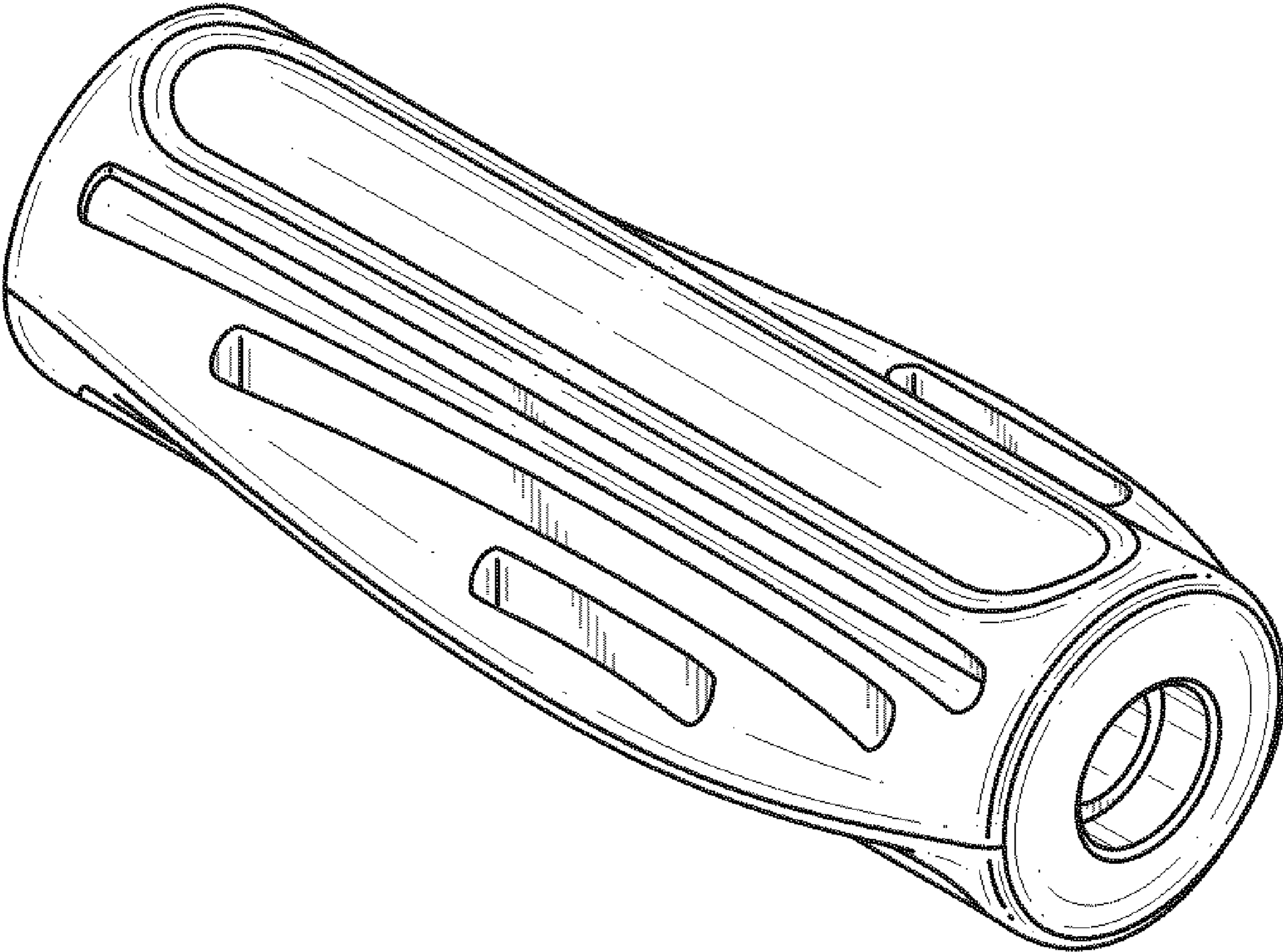


FIG. 2

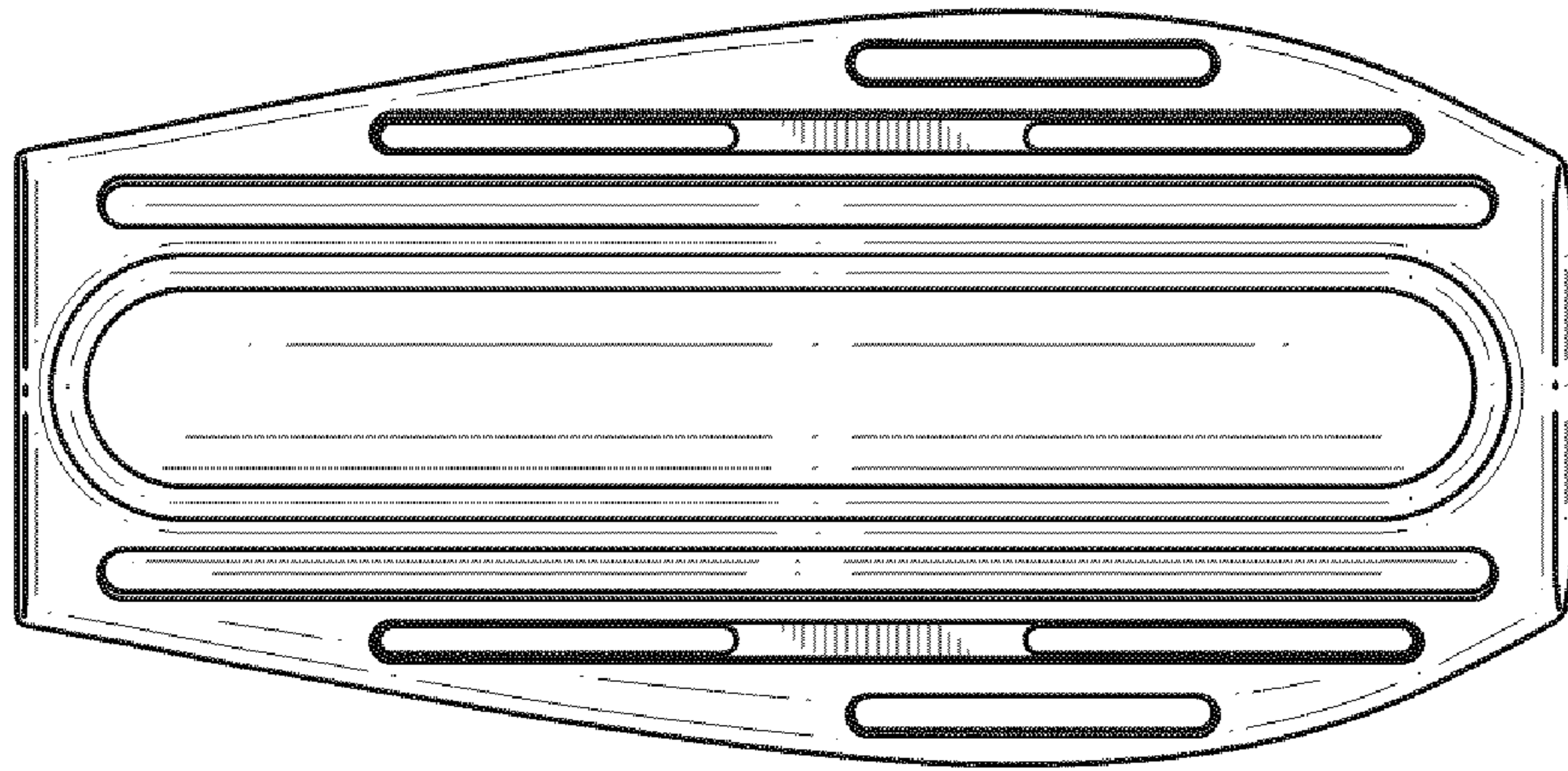


FIG. 3

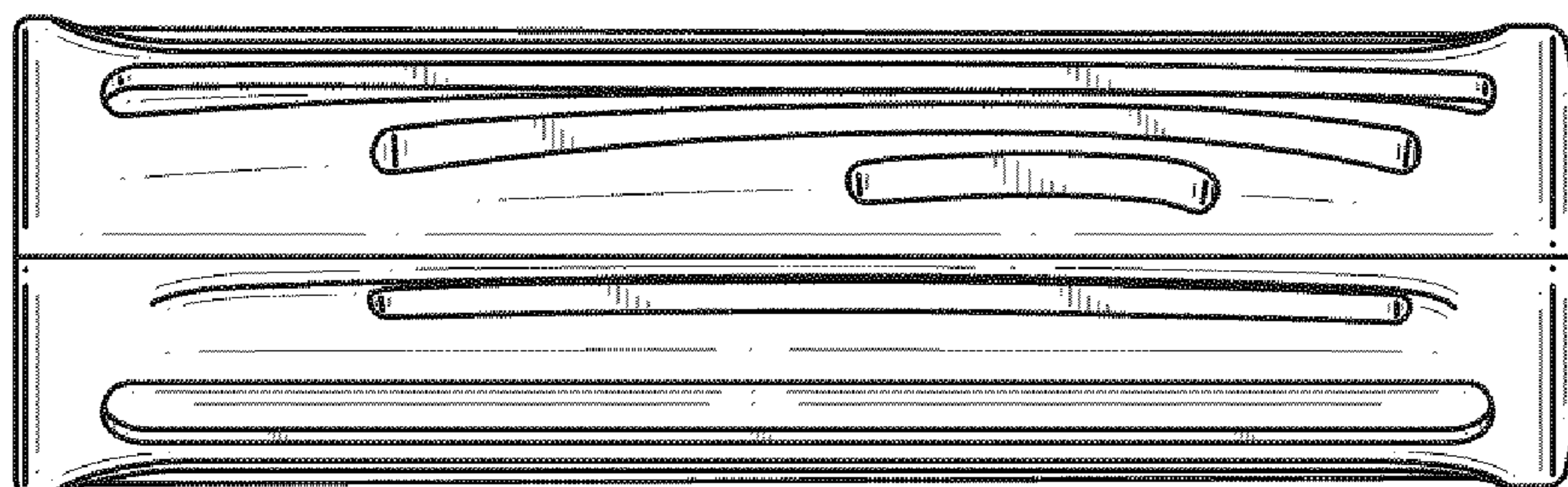


FIG. 4

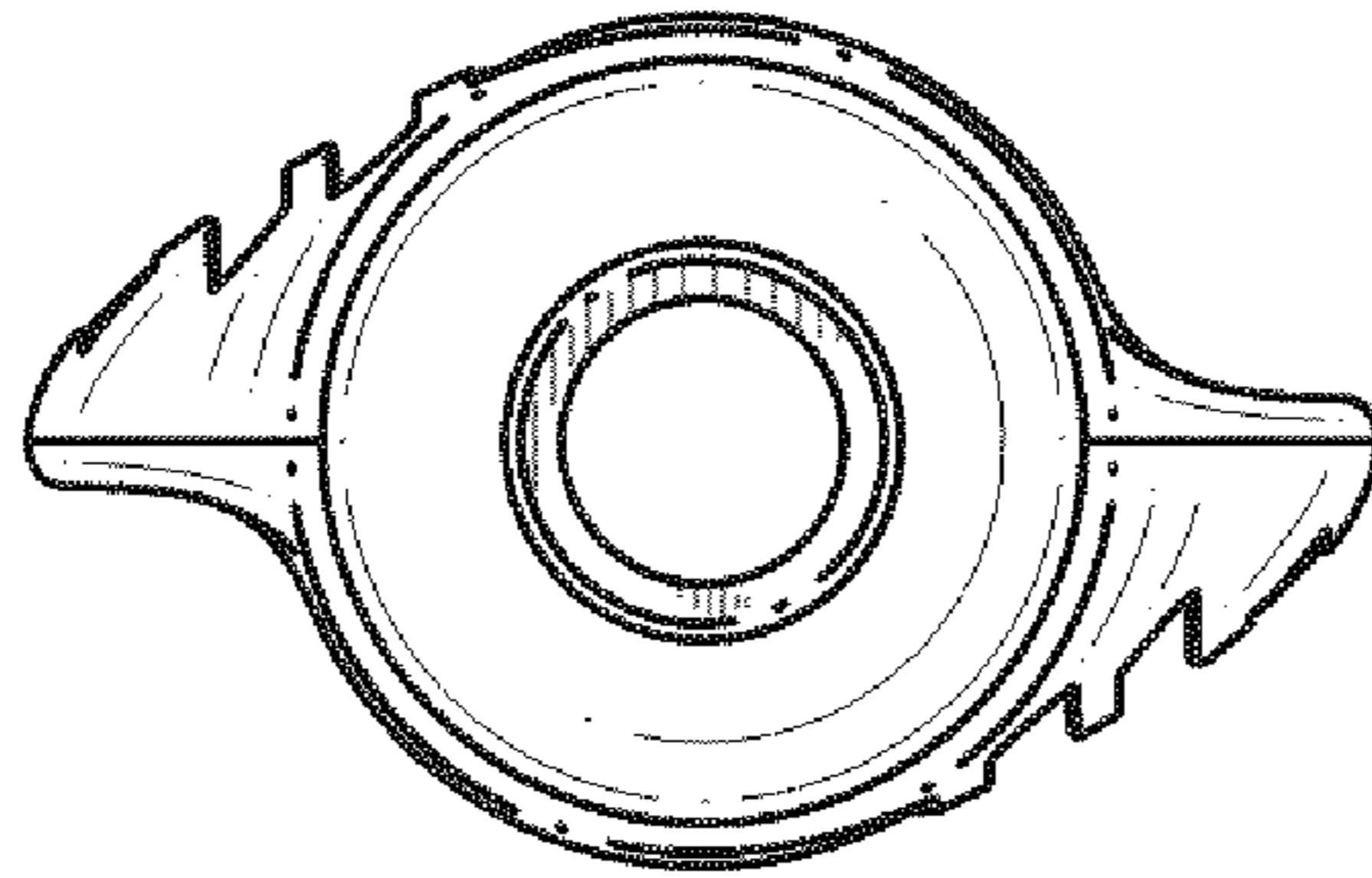


FIG. 5

