



US00D614002S

(12) **United States Design Patent**
Heap

(10) **Patent No.:** **US D614,002 S**

(45) **Date of Patent:** **** Apr. 20, 2010**

(54) **CUPCAKE STAND**

(75) **Inventor:** **Anne Khoobiar Heap**, 5 Center Ave.,
Unit 3, Morristown, NJ (US) 07960

(73) **Assignee:** **Anne Khoobiar Heap**, Denville, NJ
(US)

(**) **Term:** **14 Years**

(21) **Appl. No.:** **29/312,273**

(22) **Filed:** **Oct. 10, 2008**

(51) **LOC (9) Cl.** **07-07**

(52) **U.S. Cl.** **D7/610**

(58) **Field of Classification Search** D7/610,
D7/558; 108/94, 101; 428/7; 248/159, 188.4
See application file for complete search history.

(56) **References Cited**

U.S. PATENT DOCUMENTS

197,931	A *	12/1877	Haight	108/94
1,570,651	A *	1/1926	Topping et al.	108/94
2,902,174	A *	9/1959	Audsley	108/101
3,169,496	A *	2/1965	Muggli et al.	108/94
3,690,610	A *	9/1972	Peirce et al.	248/159

3,814,032	A *	6/1974	McMains	108/101
3,951,079	A *	4/1976	Tolleson	108/94
5,165,637	A *	11/1992	Polley et al.	248/188.4
D357,160	S *	4/1995	Fritze	D6/474
D413,046	S *	8/1999	Fritze	D7/610
D490,657	S *	6/2004	McDonald	D7/610
D577,962	S *	10/2008	Bauer et al.	D7/558

* cited by examiner

Primary Examiner—Terry A Wallace

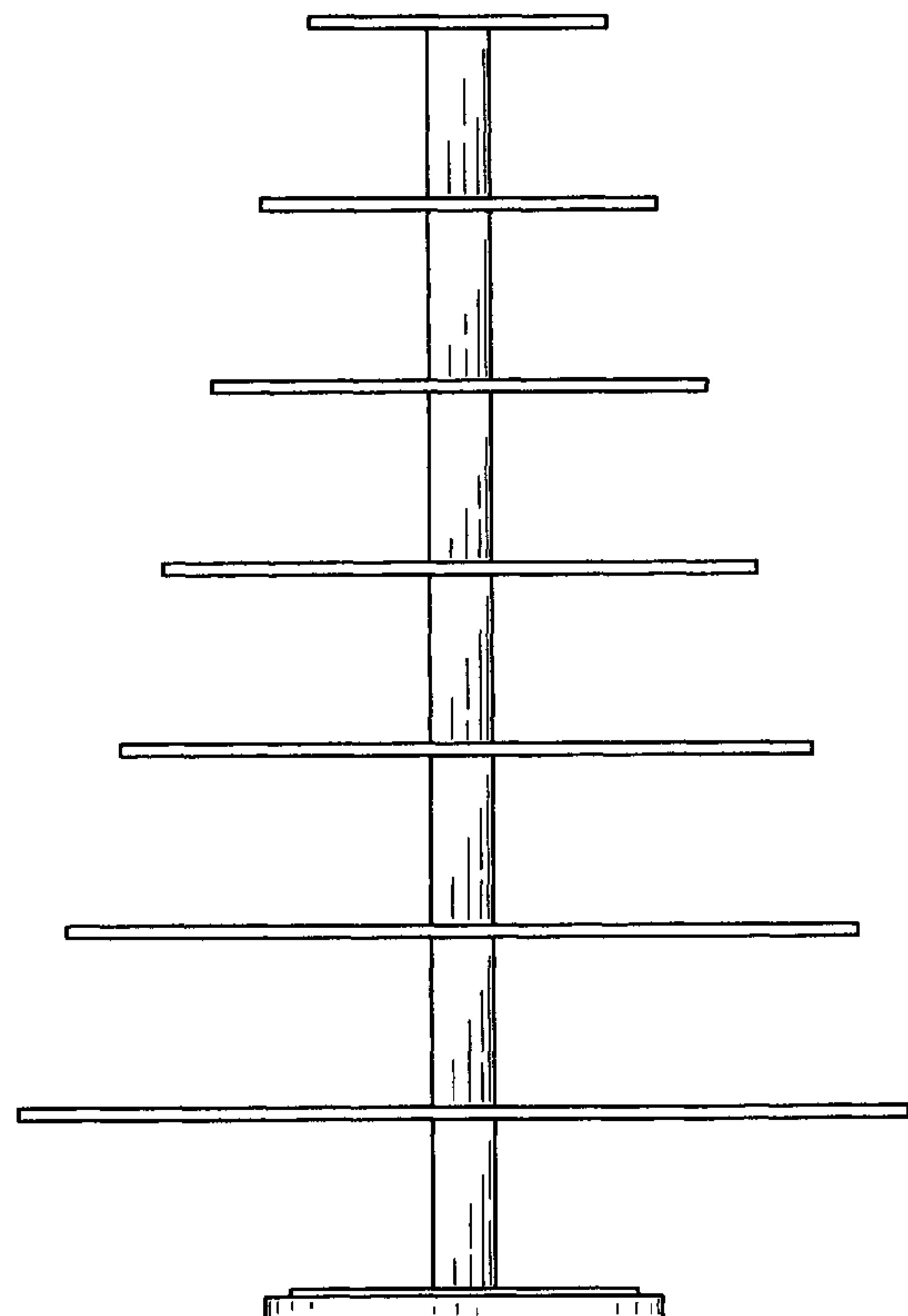
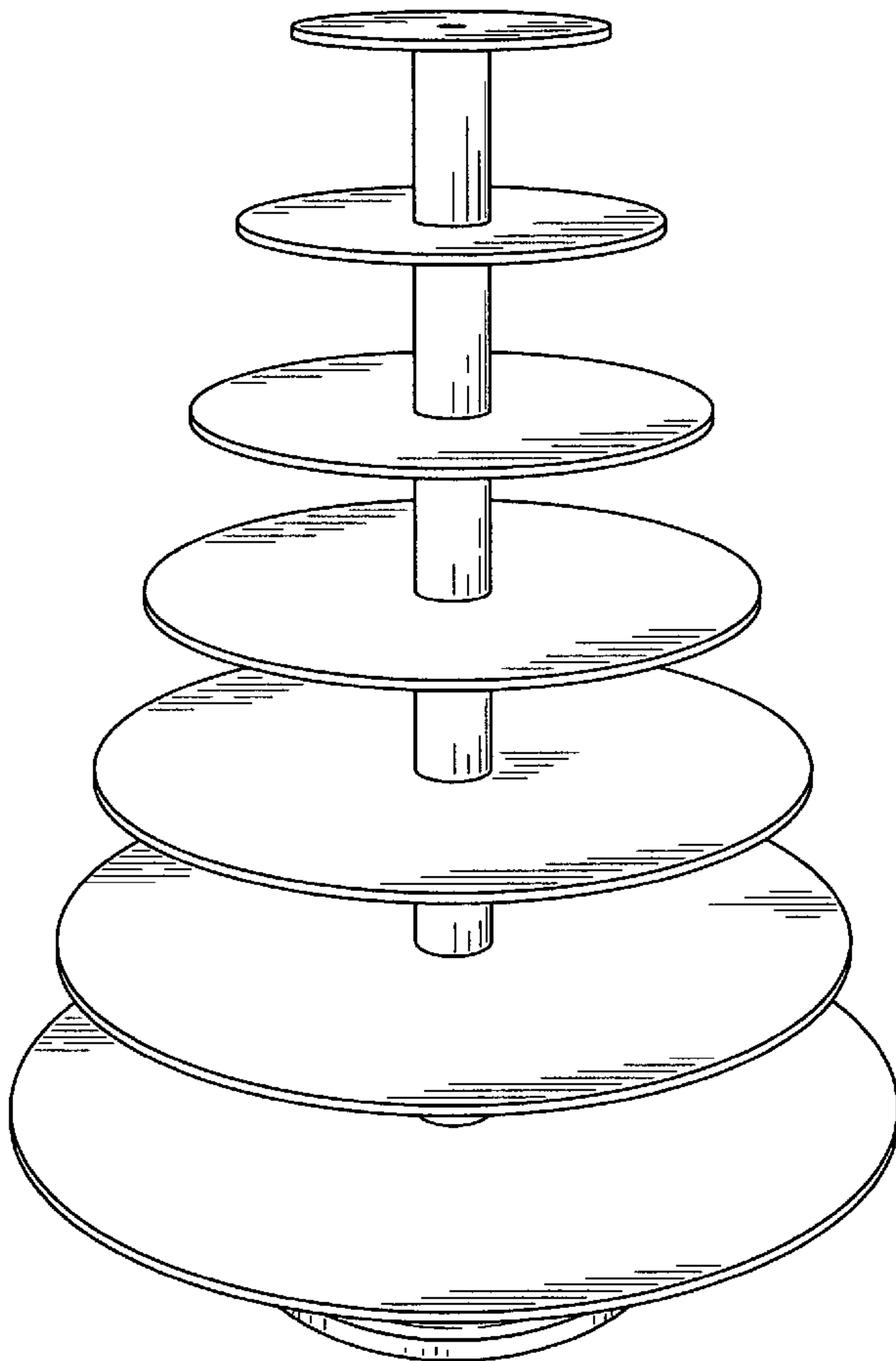
(57) **CLAIM**

The ornamental design for the cupcake stand, as shown and described.

DESCRIPTION

FIG. 1 is a perspective view of the cupcake stand;
FIG. 2 is a front elevational view of the cupcake stand;
FIG. 3 is a back elevational view of the cupcake stand;
FIG. 4 is a left elevational view of the cupcake stand;
FIG. 5 is a right elevational view of the cupcake stand;
FIG. 6 is a top plan view of the cupcake stand; and,
FIG. 7 is a bottom plan view of the cupcake stand.

1 Claim, 5 Drawing Sheets



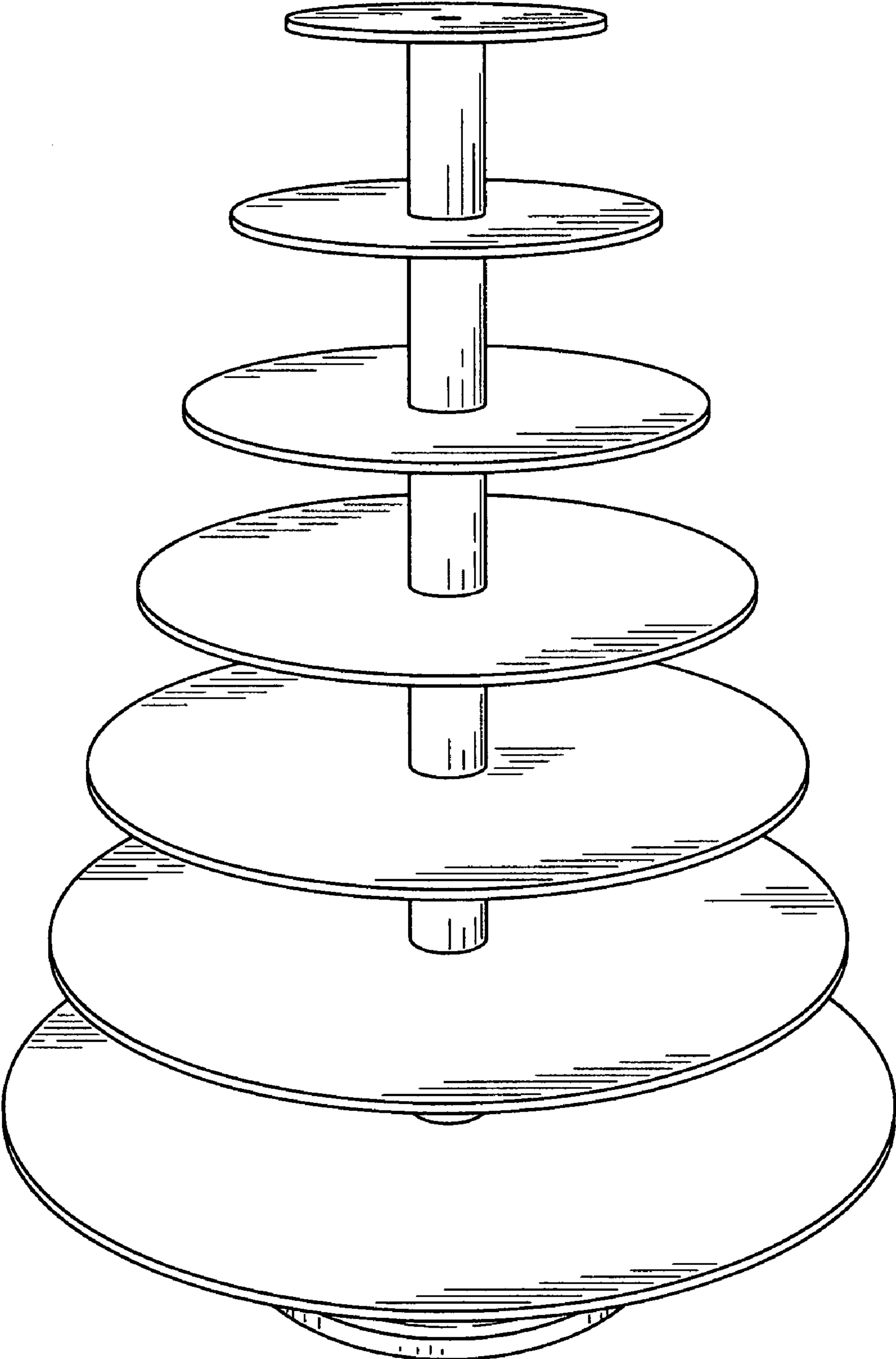


FIG. 1

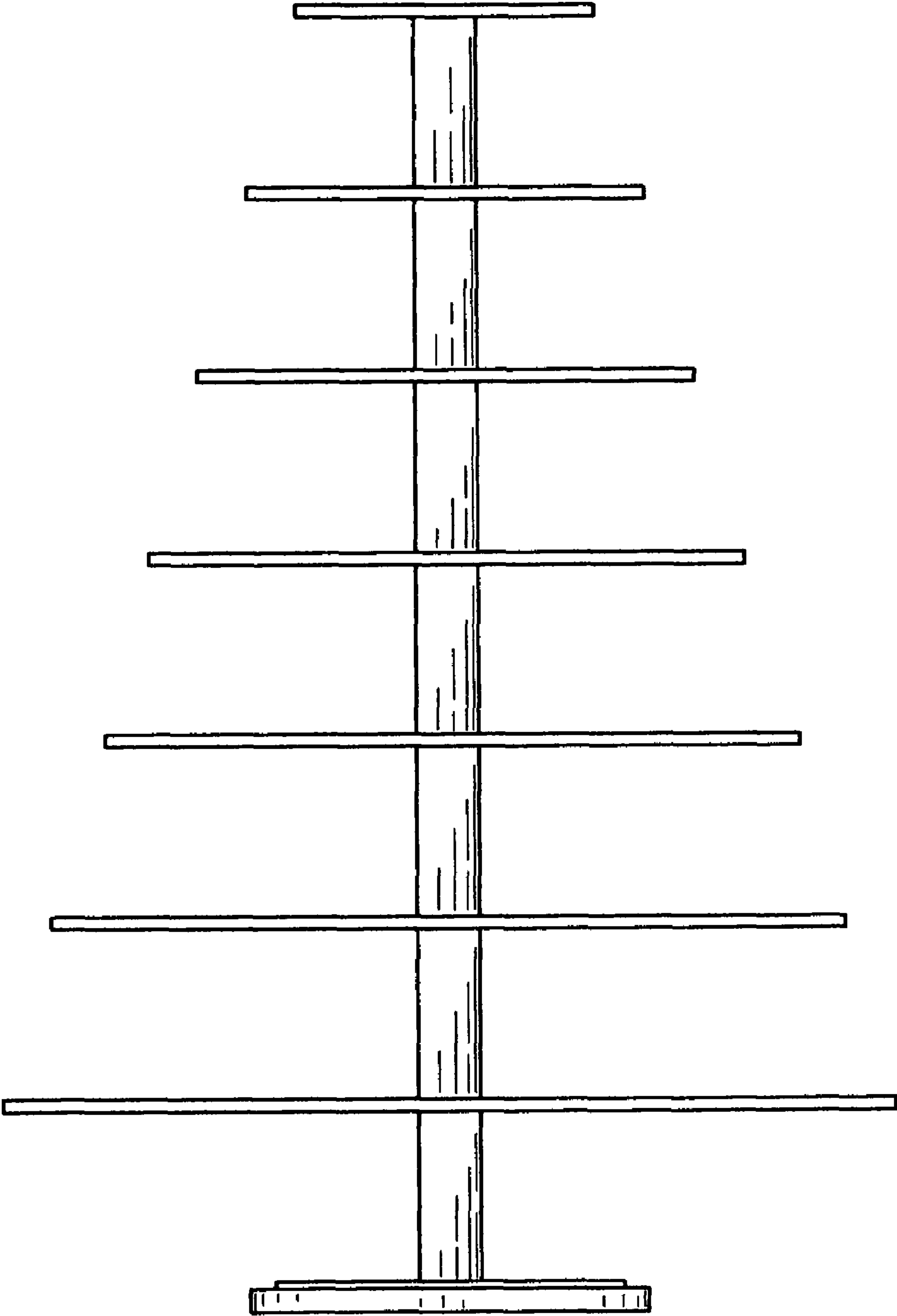


FIG. 2

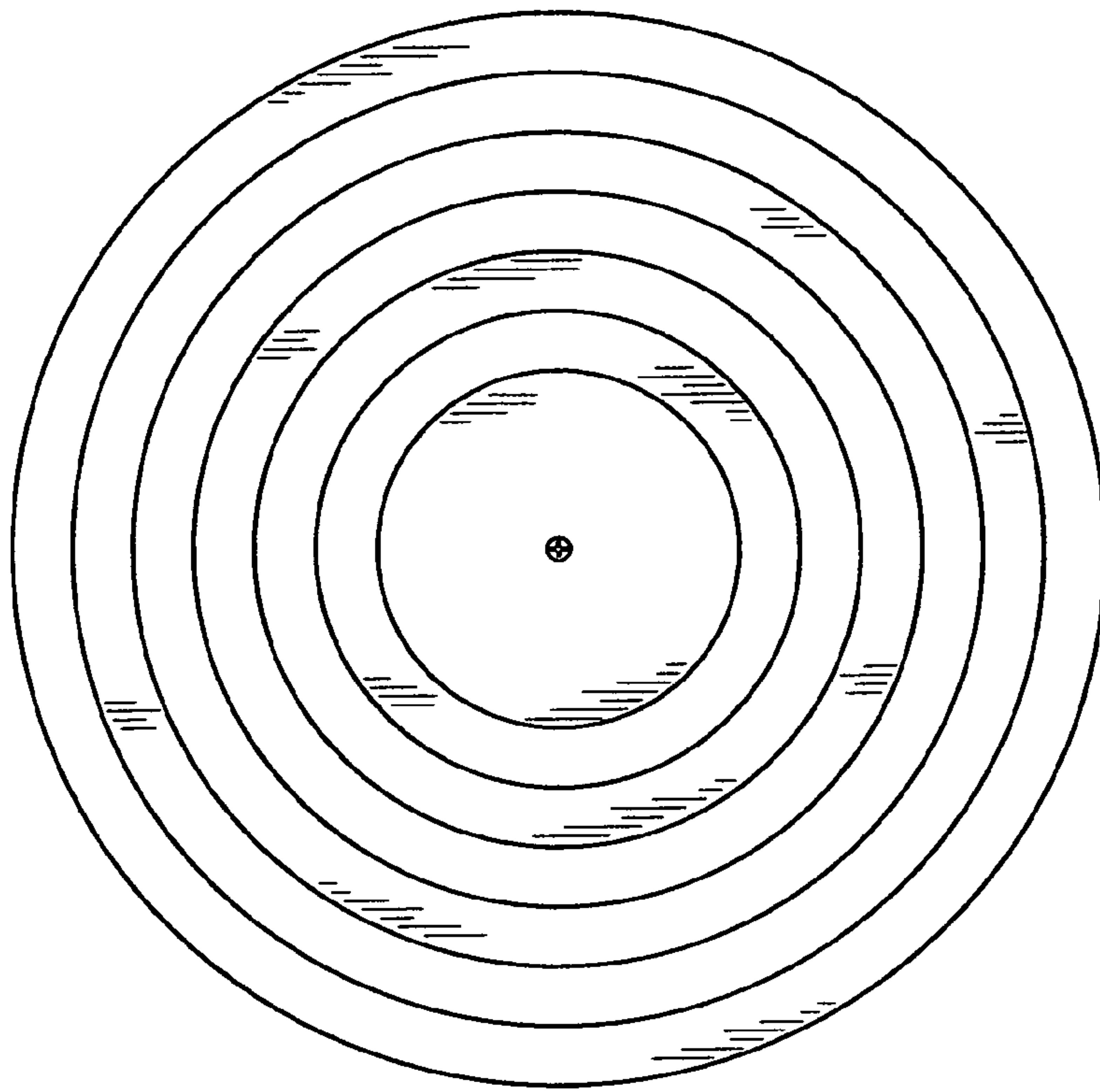


FIG. 3

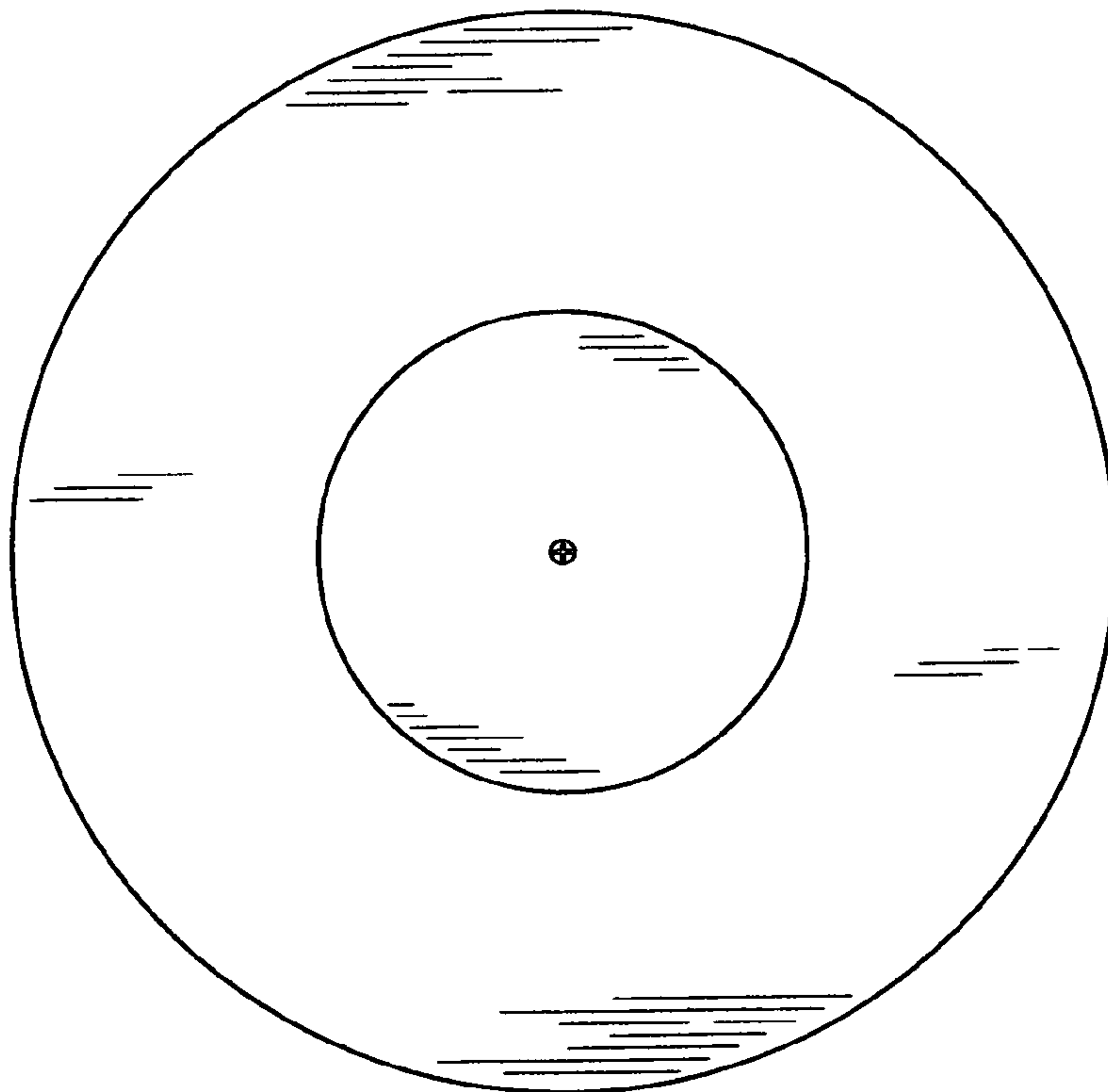


FIG. 4

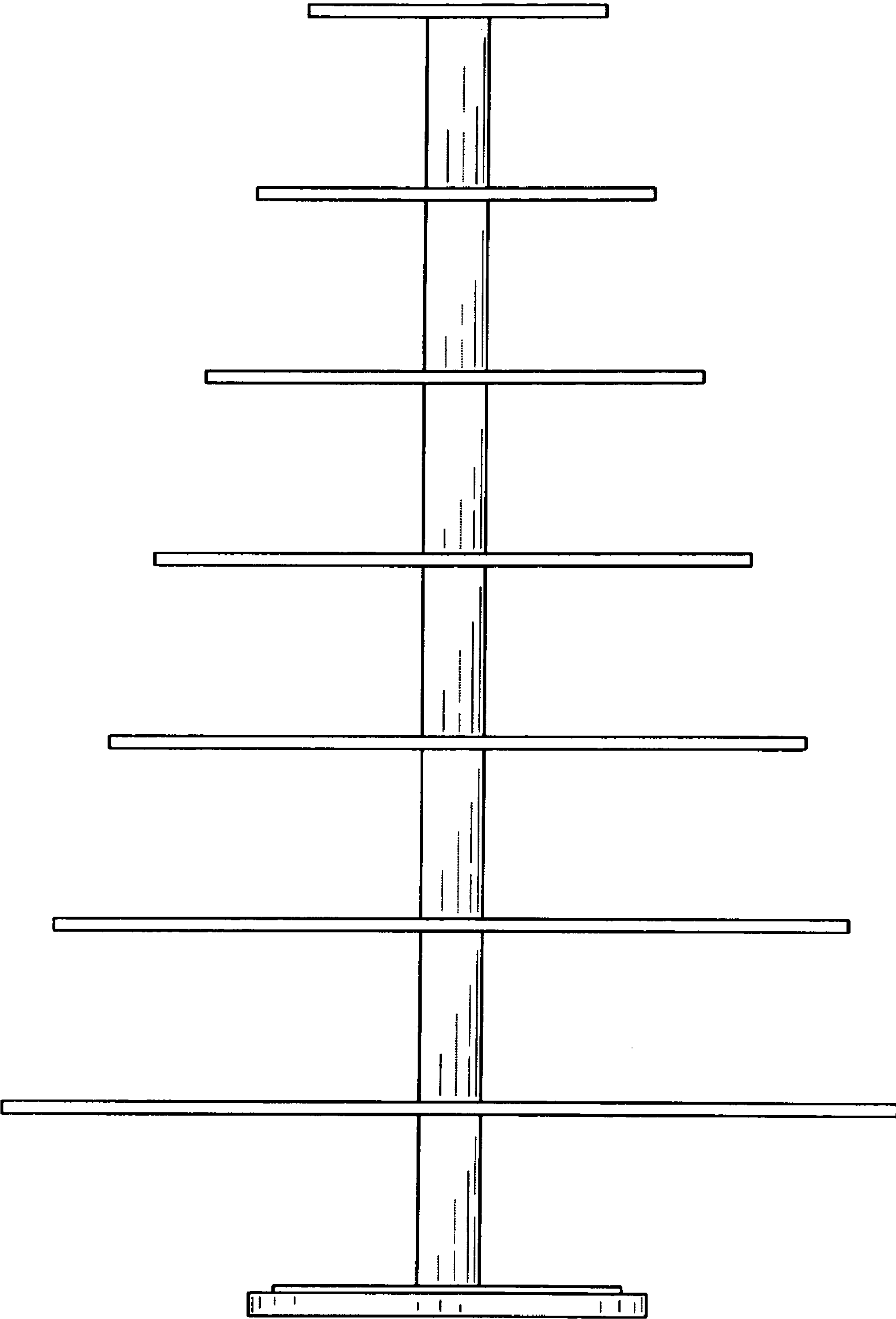


FIG. 5
Right Elevational View

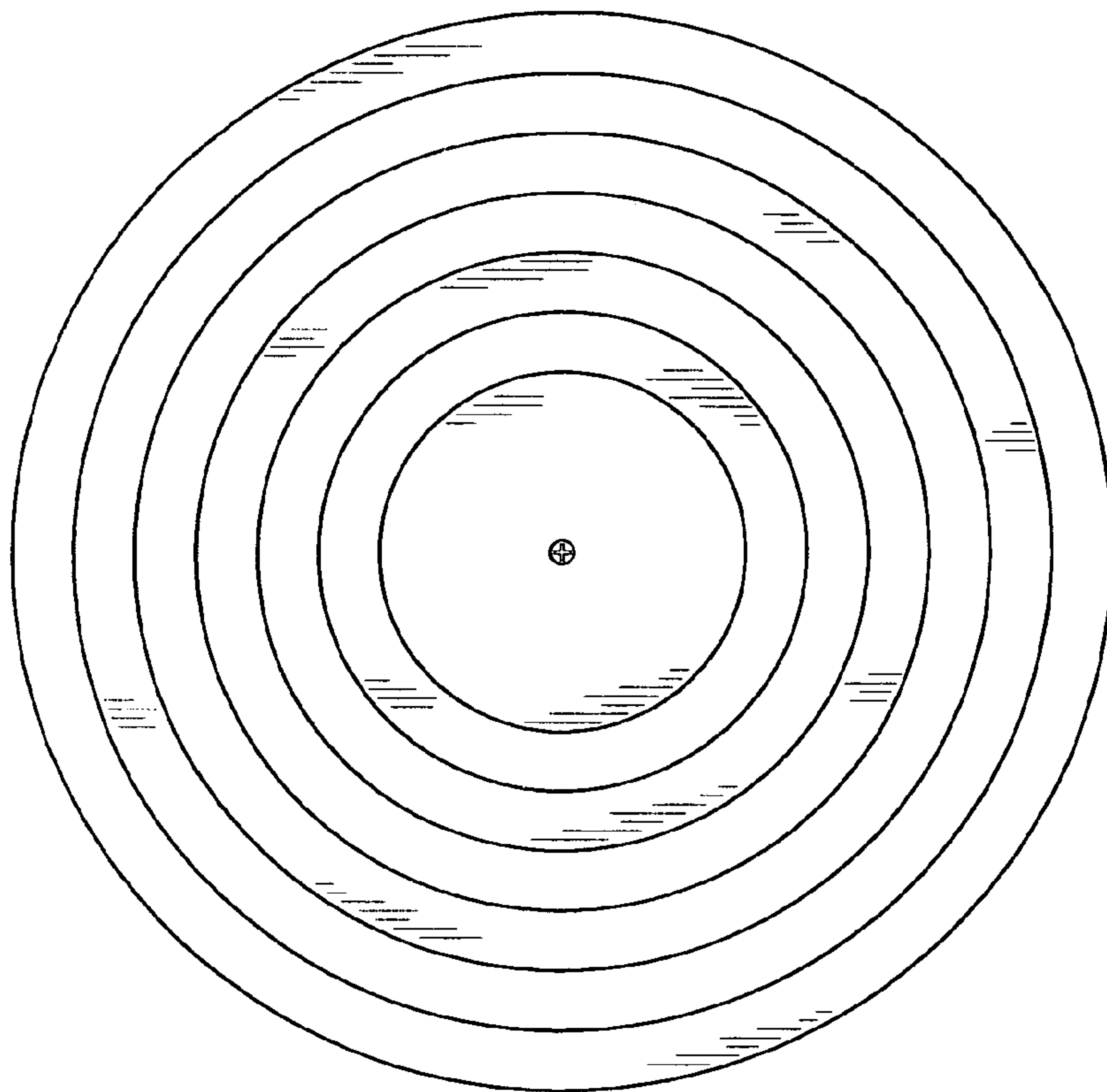


FIG. 6 - Top

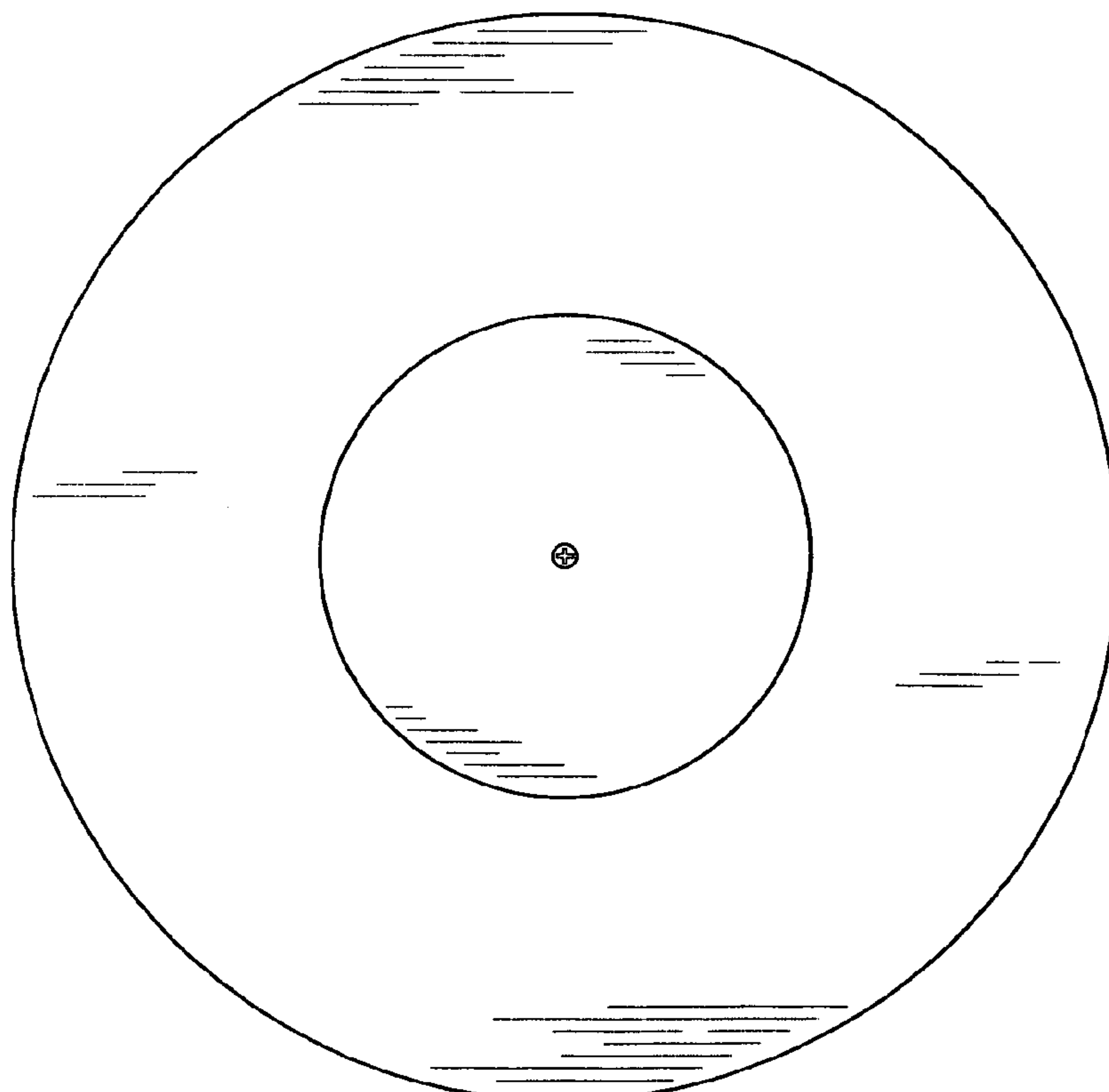


FIG. 7 -
Bottom