



US00D614001S

(12) **United States Design Patent**
Welch

(10) **Patent No.:** **US D614,001 S**
(45) **Date of Patent:** **** Apr. 20, 2010**

(54) **BOTTLE INSULATOR WITH INTEGRAL BOTTLE CAP REMOVER**

(75) Inventor: **James Douglas Welch**, Austin, TX (US)

(73) Assignee: **Getagadget**, Austin, TX (US)

(**) Term: **14 Years**

(21) Appl. No.: **29/315,863**

(22) Filed: **Jul. 30, 2009**

(51) **LOC (9) Cl.** **07-01**

(52) **U.S. Cl.** **D7/605; D7/624.2**

(58) **Field of Classification Search** D7/619.1-625,
D7/605, 607; D8/34; D9/444; 220/915.1,
220/915.2, 592.17, 592.24, 902, 903, 737,
220/739; 215/12.1, 12.2, 13.1; 62/457.1-457.9,
62/529, 530

See application file for complete search history.

(56) **References Cited**

U.S. PATENT DOCUMENTS

1,755,086	A	4/1930	Tapp	
2,745,301	A	5/1956	Grunwald	
3,236,126	A	2/1966	Martinmaas	
4,197,890	A	4/1980	Simko	
4,478,265	A	10/1984	DeMarco	
4,747,507	A	5/1988	Fitzgerald	
4,798,300	A	1/1989	Ghosh	
6,073,796	A *	6/2000	Mogil	220/592.17
D432,873	S *	10/2000	Fair	D7/624.3
D470,310	S *	2/2003	Walley et al.	D7/624.3
6,550,271	B2 *	4/2003	Silbert	62/457.4
D505,838	S *	6/2005	Hicks	D7/625
6,976,370	B2	12/2005	Fiene	

D567,031	S *	4/2008	Zacharias et al.	D7/624.3
7,404,345	B1	7/2008	Dipprey		
2002/0175116	A1	11/2002	Tham-itthisak		
2006/0016294	A1	1/2006	McGrath		
2007/0012140	A1	1/2007	Howlett		
2007/0210229	A1	9/2007	Brenner		

OTHER PUBLICATIONS

Official Man Card Koozie, Internet, www.officialmangear.com.
Can/Bottle Cooler With Built-In Bottle Opener, Internet, www.epromos.com/product/8829340.html.

* cited by examiner

Primary Examiner—Terry A Wallace

(74) *Attorney, Agent, or Firm*—David Simmons

(57) **CLAIM**

The ornamental design for a bottle insulator with integral bottle cap remover, as shown and described.

DESCRIPTION

FIG. 1 is a front view of an embodiment of a bottle insulator with integral bottle cap remover in accordance with the present invention;

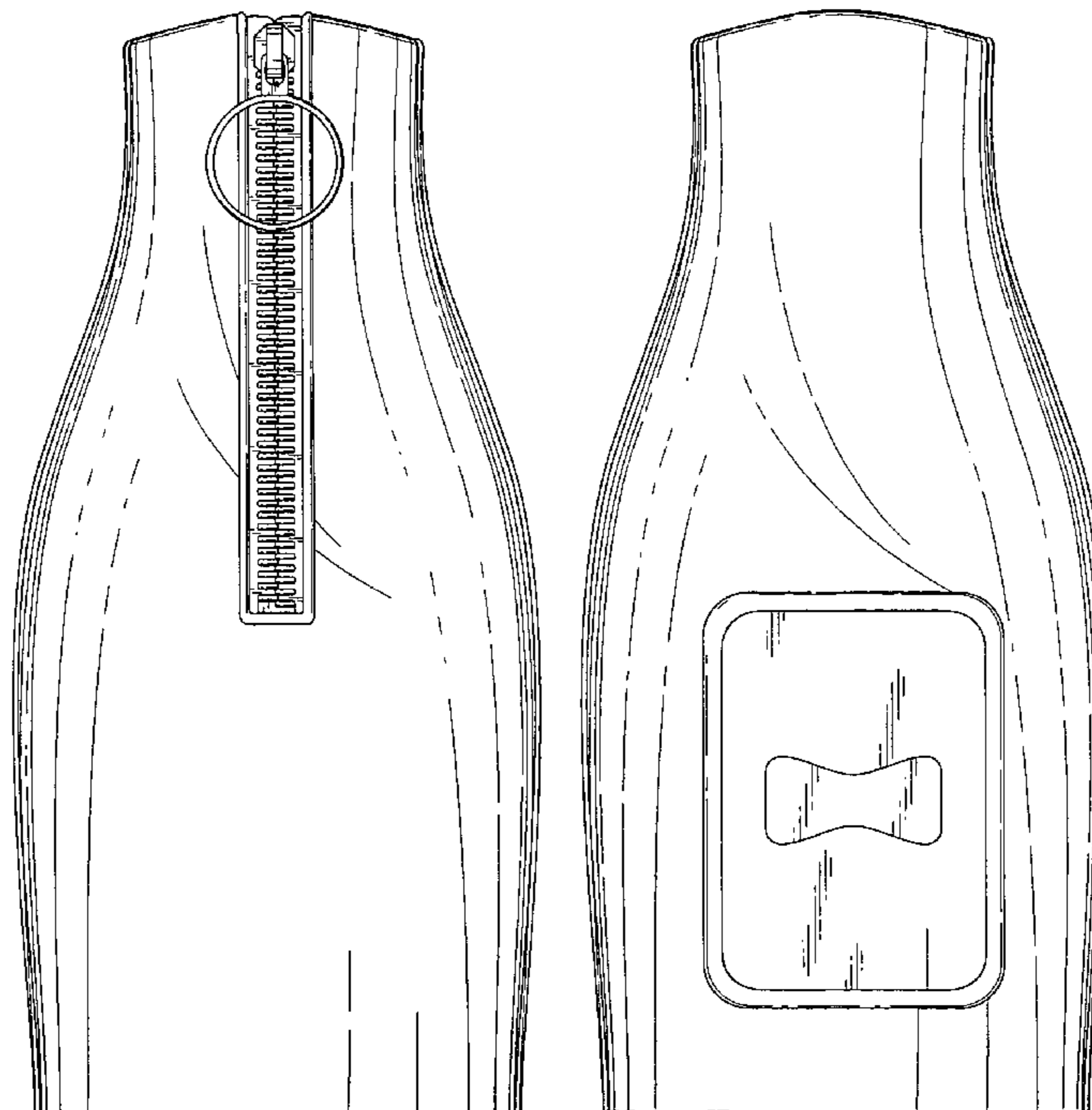
FIG. 2 is a rear view of the bottle insulator with integral bottle cap remover shown in FIG. 1;

FIG. 3 is a left side view of the bottle insulator with integral bottle cap remover shown in FIG. 1, wherein the right side view is a mirror image of the left side view;

FIG. 4 is a top view of the bottle insulator with integral bottle cap remover shown in FIG. 1; and,

FIG. 5 is a bottom view of the bottle insulator with integral bottle cap remover shown in FIG. 1.

1 Claim, 3 Drawing Sheets



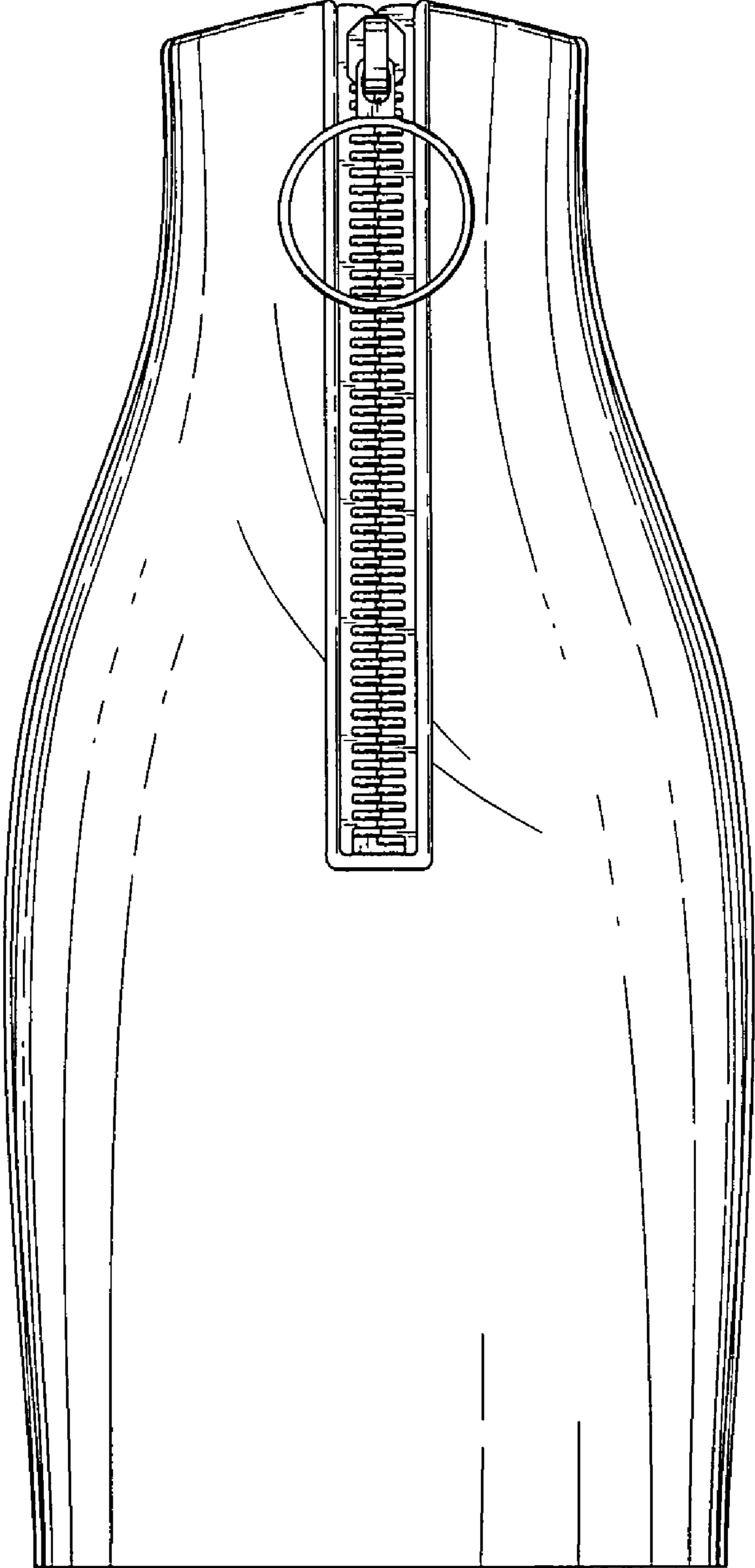


Fig. 1

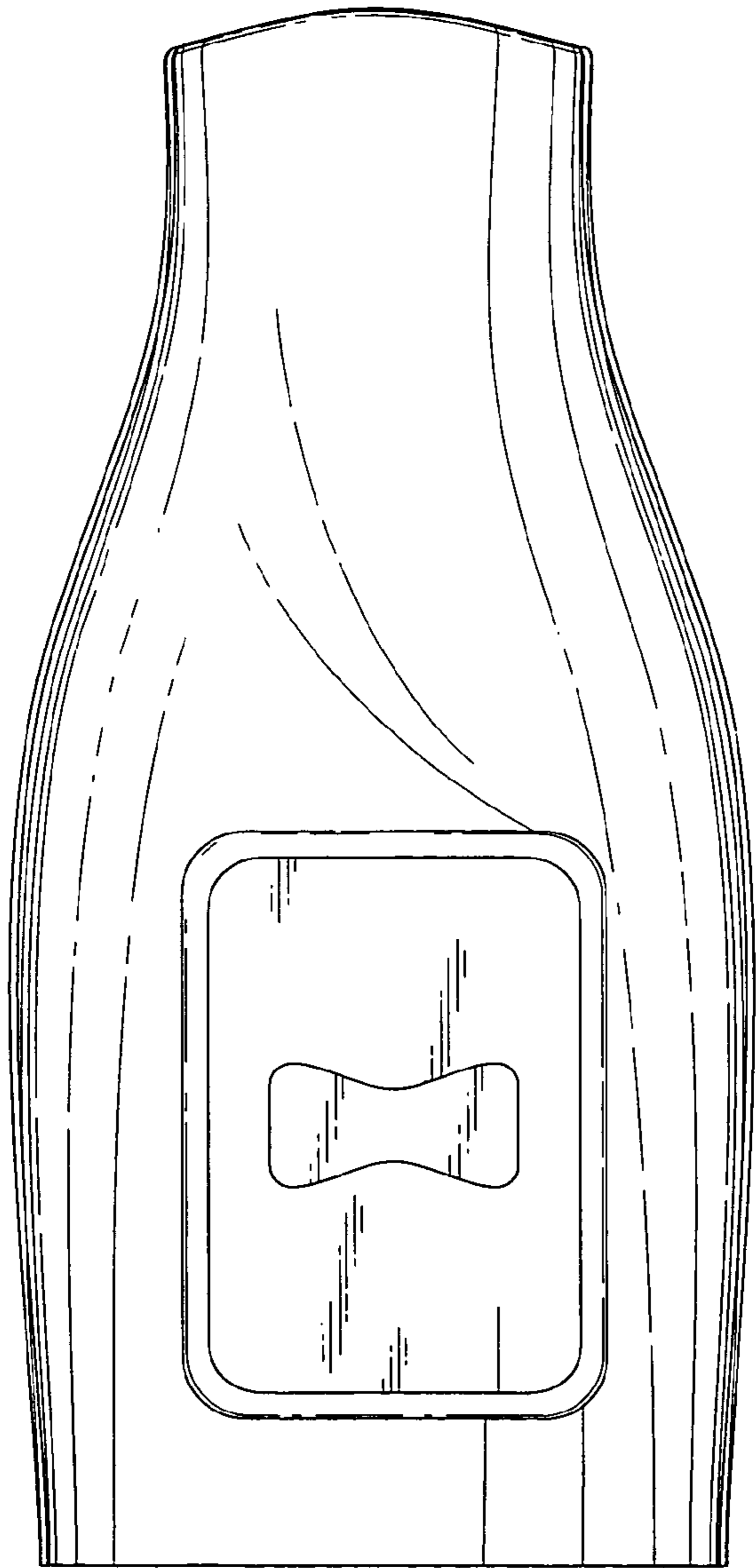


Fig. 2

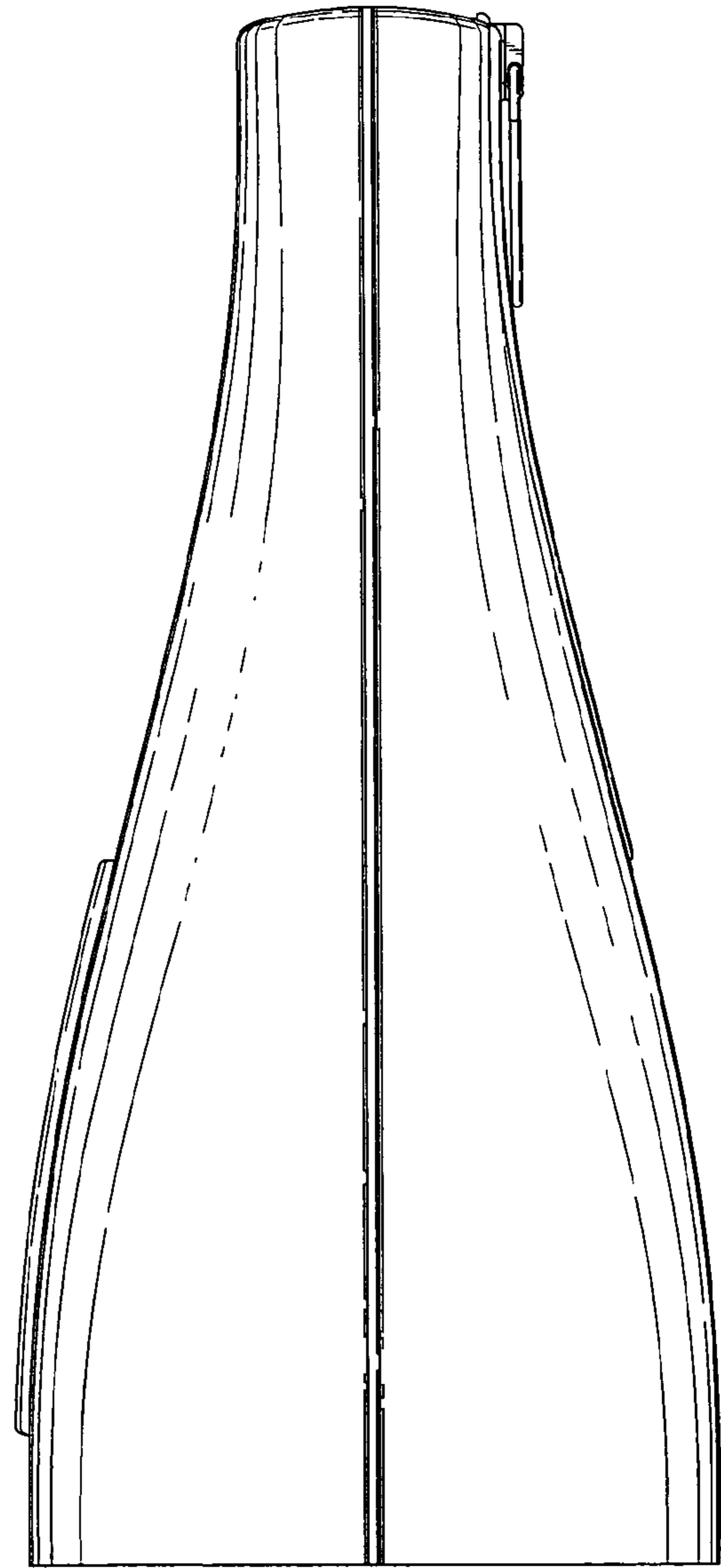


Fig. 3

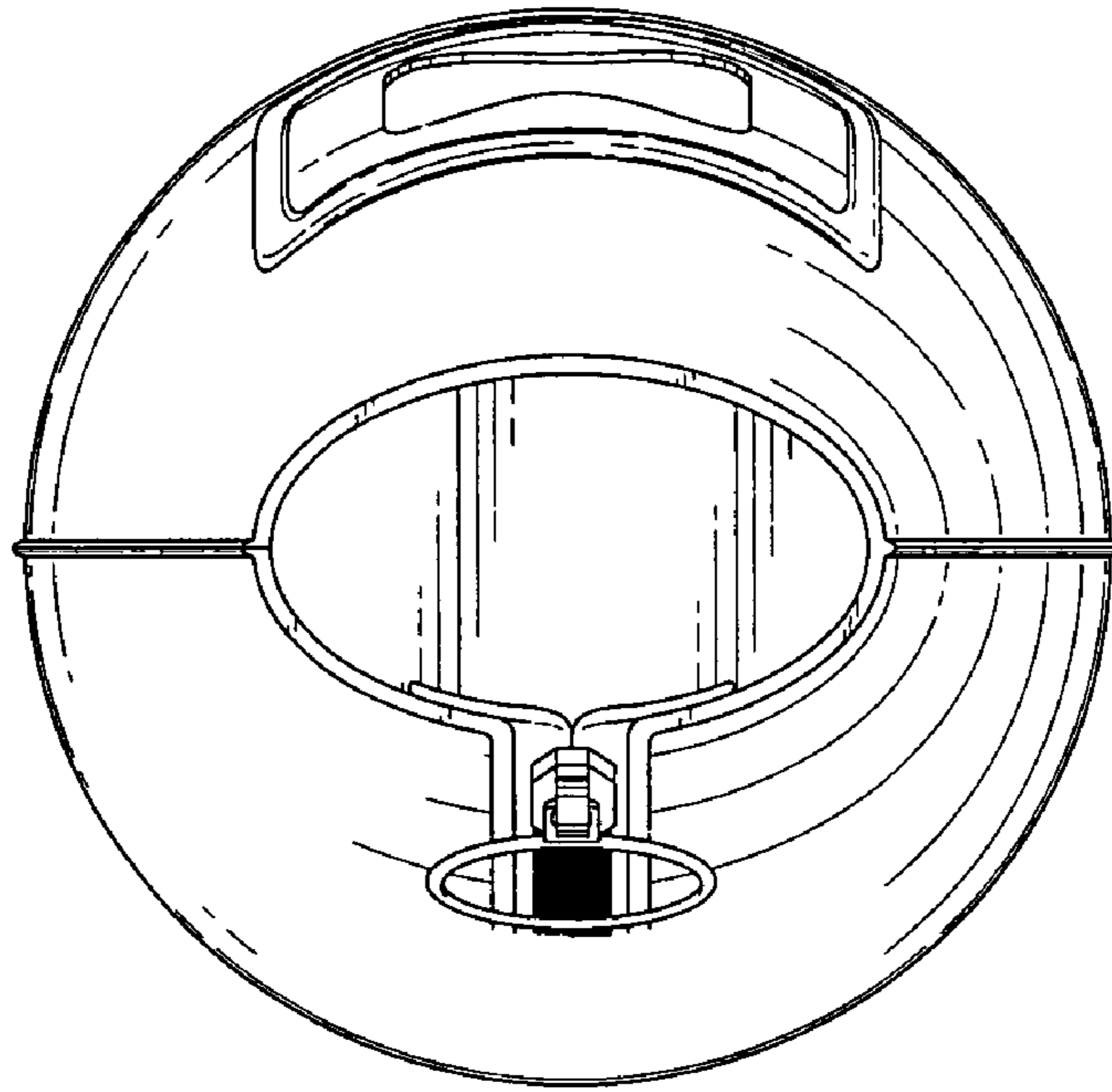


Fig. 4

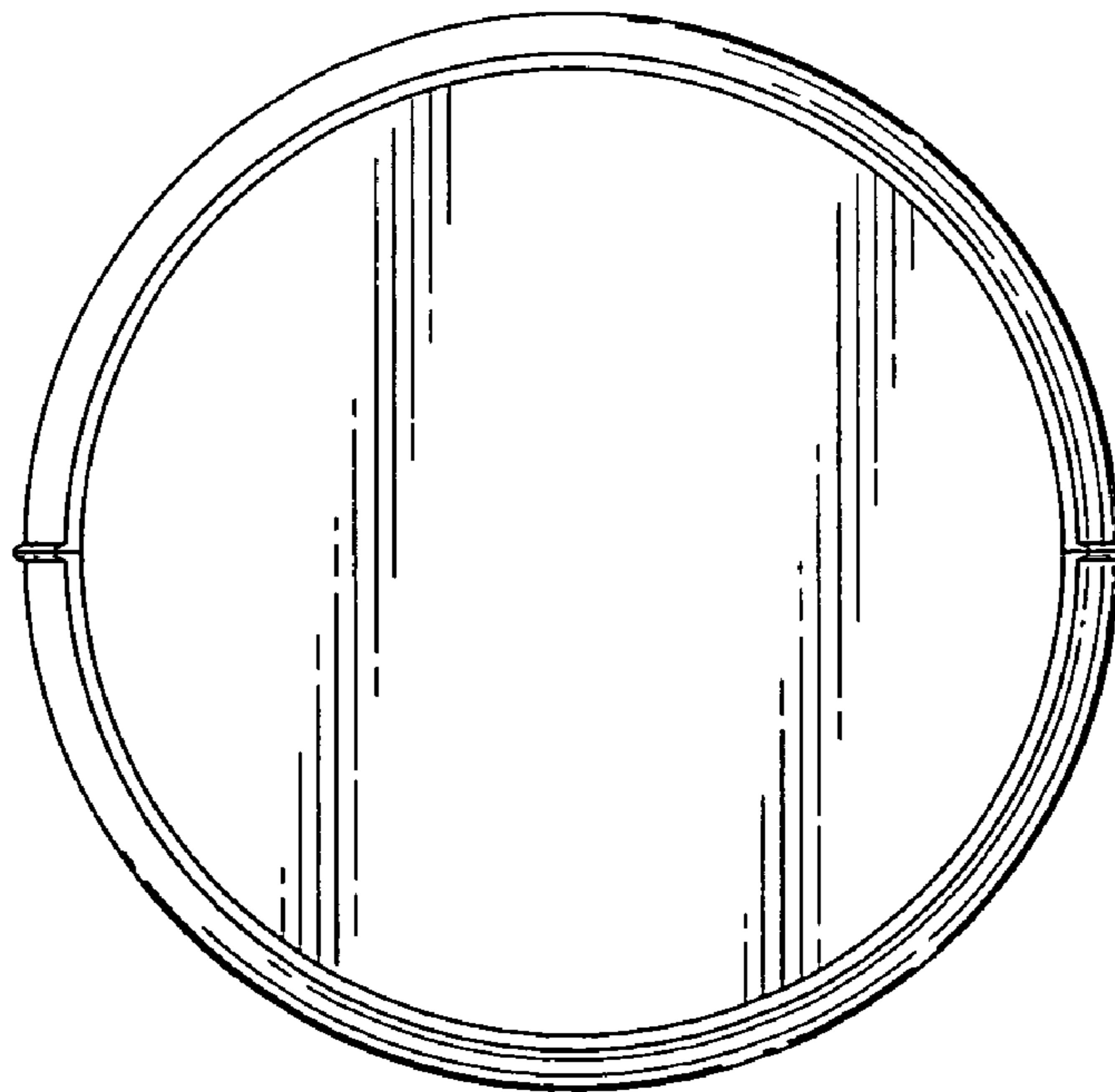


Fig. 5