



US00D614000S

(12) **United States Design Patent**  
**Chuang**

(10) **Patent No.:** **US D614,000 S**  
(45) **Date of Patent:** **\*\* Apr. 20, 2010**

(54) **FOOD CARRIER BAG**

(76) Inventor: **Susan Su-Ing Chuang**, 161 N. Martel Ave., Los Angeles, CA (US) 90036-2715

(\*\*) Term: **14 Years**

(21) Appl. No.: **29/327,218**

(22) Filed: **Oct. 31, 2008**

(51) **LOC (9) Cl.** ..... **07-99**

(52) **U.S. Cl.** ..... **D7/601**

(58) **Field of Classification Search** ..... D7/601,  
D7/602, 605-608, 624.2, 624.3, 625; D3/202,  
D3/229; 224/220, 236, 148; 220/737, 739,  
220/902, 903, 915.1, 915.2; 383/97, 110,  
383/113

See application file for complete search history.

(56) **References Cited**

**U.S. PATENT DOCUMENTS**

4,802,602	A *	2/1989	Evans et al.	.....	220/739
D325,494	S *	4/1992	Gentry	.....	D7/608
D398,195	S *	9/1998	Rausch	.....	D7/624.3
D414,930	S *	10/1999	Rausch	.....	D3/229
D415,390	S *	10/1999	Winnington-Ingram	.....	D7/507
D548,541	S *	8/2007	Jackson	.....	D7/640

\* cited by examiner

*Primary Examiner*—Terry A Wallace

(74) *Attorney, Agent, or Firm*—Knobbe, Martens, Olson & Bear LLP

(57) **CLAIM**

The ornamental design for a food carrier bag, as shown and described.

**DESCRIPTION**

FIG. 1 is a top, front, and right side perspective view of an embodiment of a food carrier bag embodying my new design.

FIG. 2 is a front elevation view of the embodiment of FIG. 1.

FIG. 3 is a rear elevation view of the embodiment of FIG. 1.

FIG. 4 is a right side view of the embodiment of FIG. 1.

FIG. 5 is a left side view of the embodiment of FIG. 1.

FIG. 6 is a top plan view of the embodiment of FIG. 1.

FIG. 7 is a bottom plan of the embodiment of FIG. 1.

FIG. 8 is a top, front, and right side perspective view of a second embodiment of a food carrier bag embodying my new design.

FIG. 9 is a front elevation view of the embodiment of FIG. 8.

FIG. 10 is a rear elevation view of the embodiment of FIG. 8.

FIG. 11 is a right side view of the embodiment of FIG. 8.

FIG. 12 is a left side view of the embodiment of FIG. 8.

FIG. 13 is a top plan view of the embodiment of FIG. 8.

FIG. 14 is a bottom plan of the embodiment of FIG. 8.

FIG. 15 is a top, front, and right side perspective view of a third embodiment of a food carrier bag embodying my new design.

FIG. 16 is a front elevation view of the embodiment of FIG. 15.

FIG. 17 is a rear elevation view of the embodiment of FIG. 15.

FIG. 18 is a right side view of the embodiment of FIG. 15.

FIG. 19 is a left side view of the embodiment of FIG. 15.

FIG. 20 is a top plan view of the embodiment of FIG. 15.

FIG. 21 is a bottom plan of the embodiment of FIG. 15.

FIG. 22 is a top, front, and right side perspective view of a third embodiment of a food carrier bag embodying my new design.

FIG. 23 is a front elevation view of the embodiment of FIG. 22.

FIG. 24 is a rear elevation view of the embodiment of FIG. 22.

FIG. 25 is a right side view of the embodiment of FIG. 22.

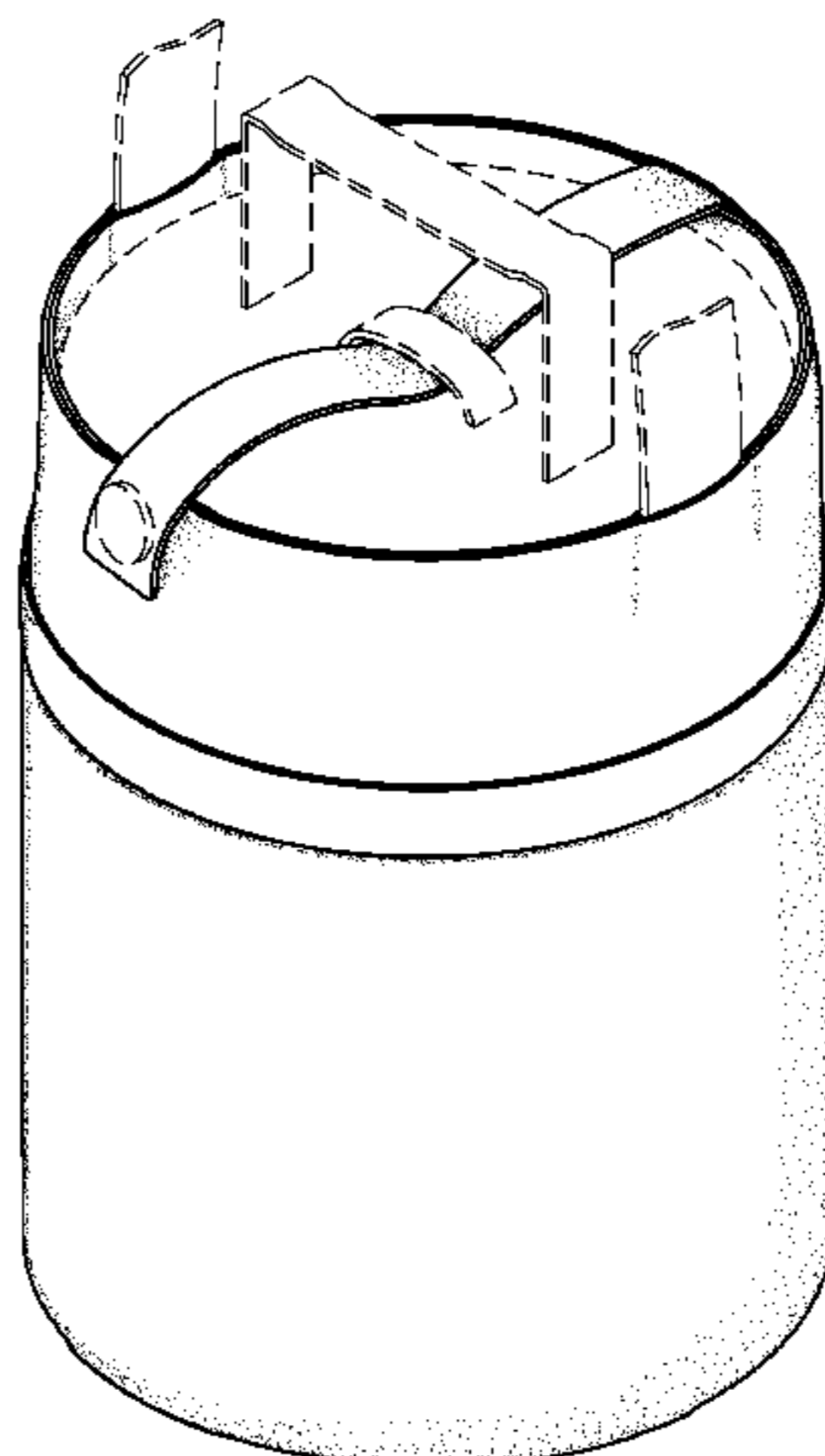
FIG. 26 is a left side view of the embodiment of FIG. 22.

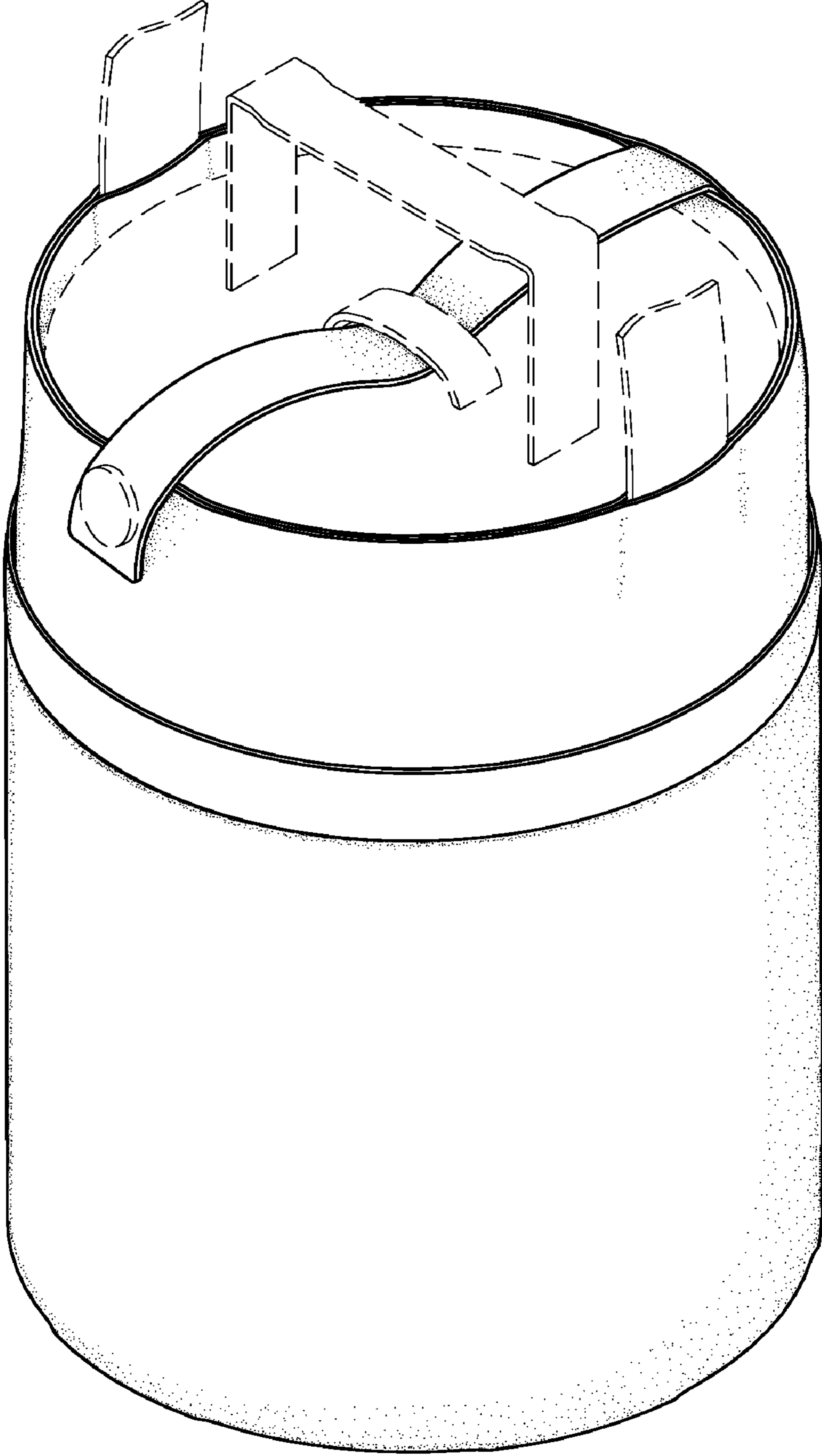
FIG. 27 is a top plan view of the embodiment of FIG. 22; and,

FIG. 28 is a bottom plan of the embodiment of FIG. 22.

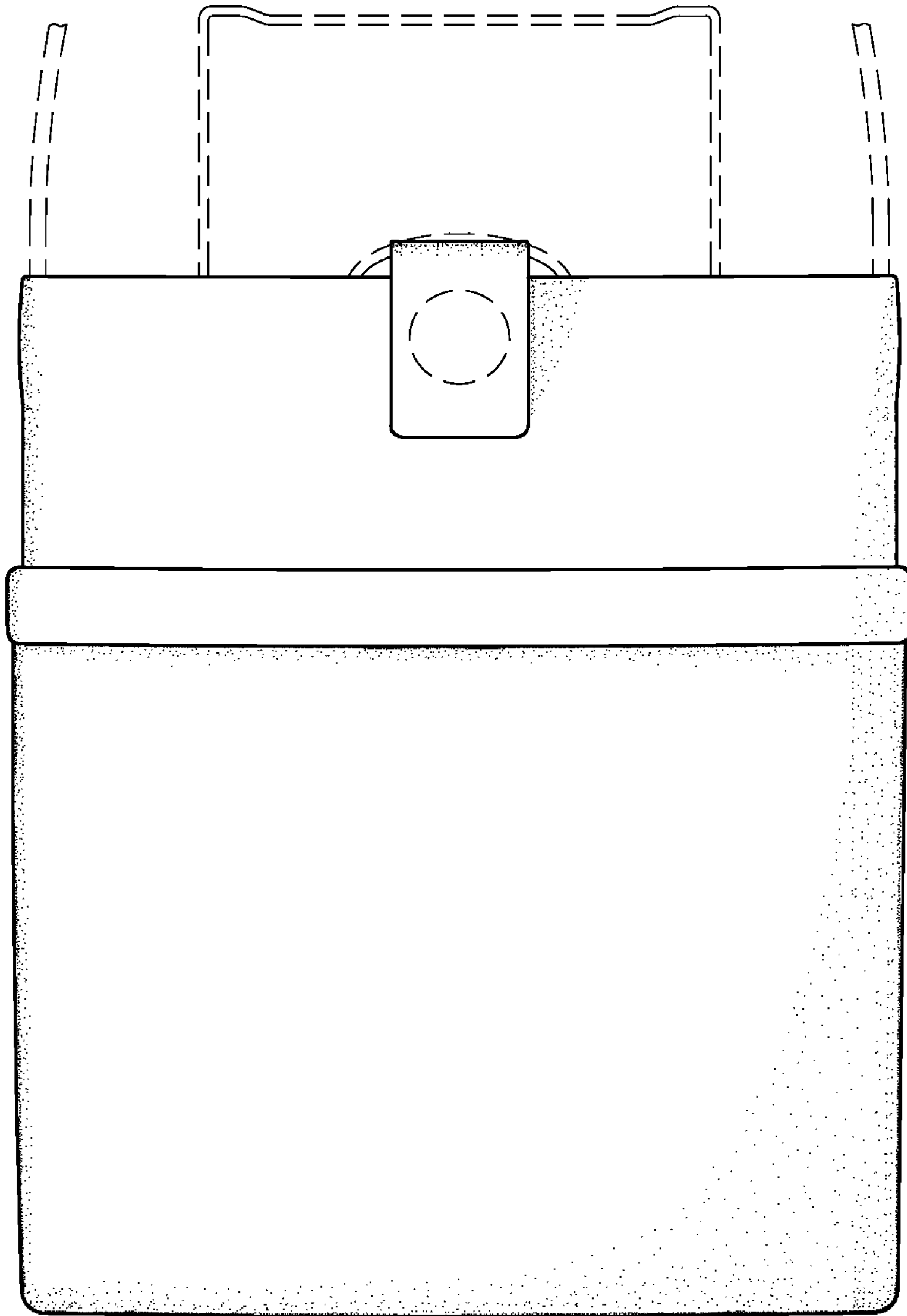
Shown in phantom lines are features of the food carrier bag which form no part of the claimed design.

**1 Claim, 28 Drawing Sheets**

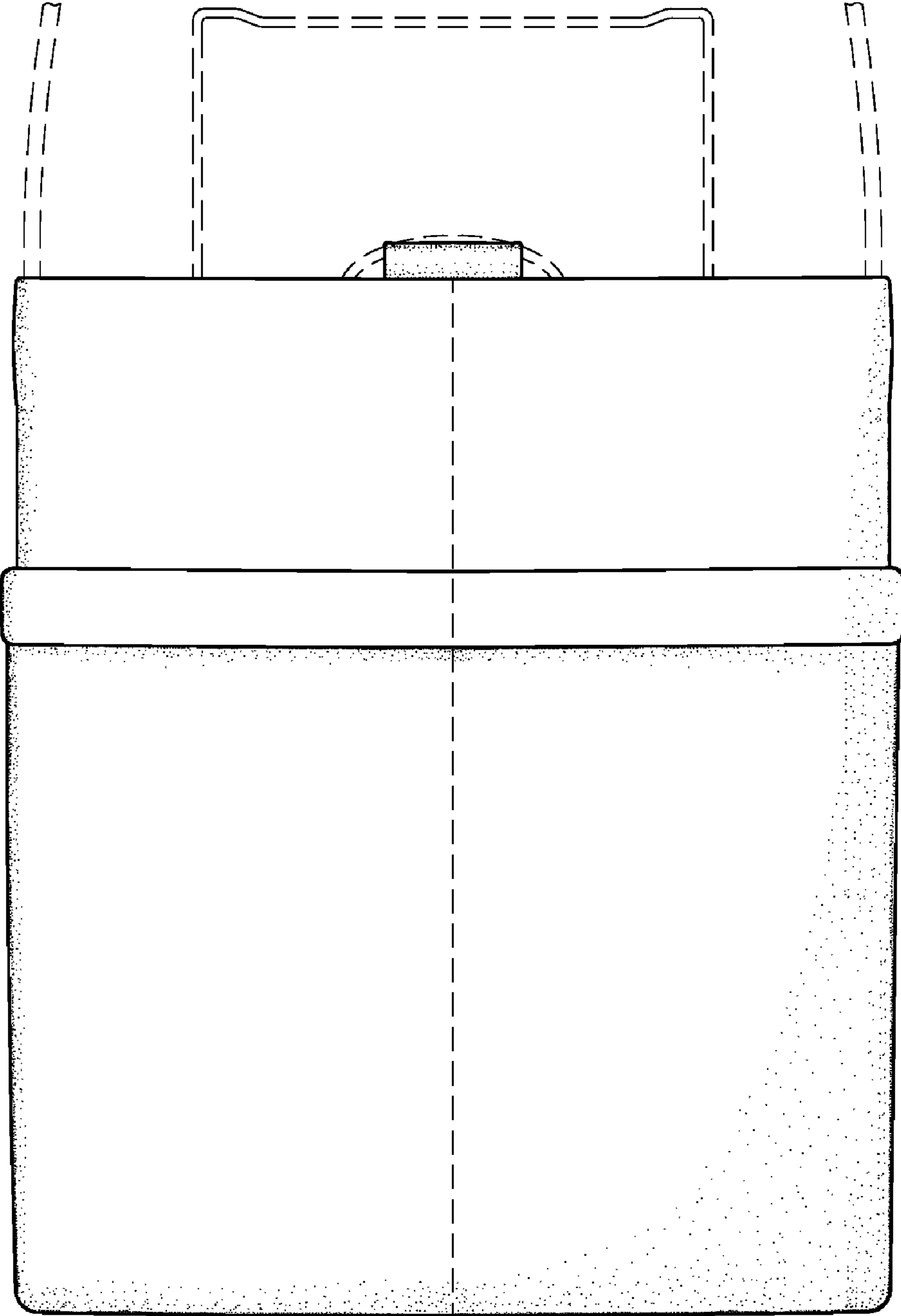




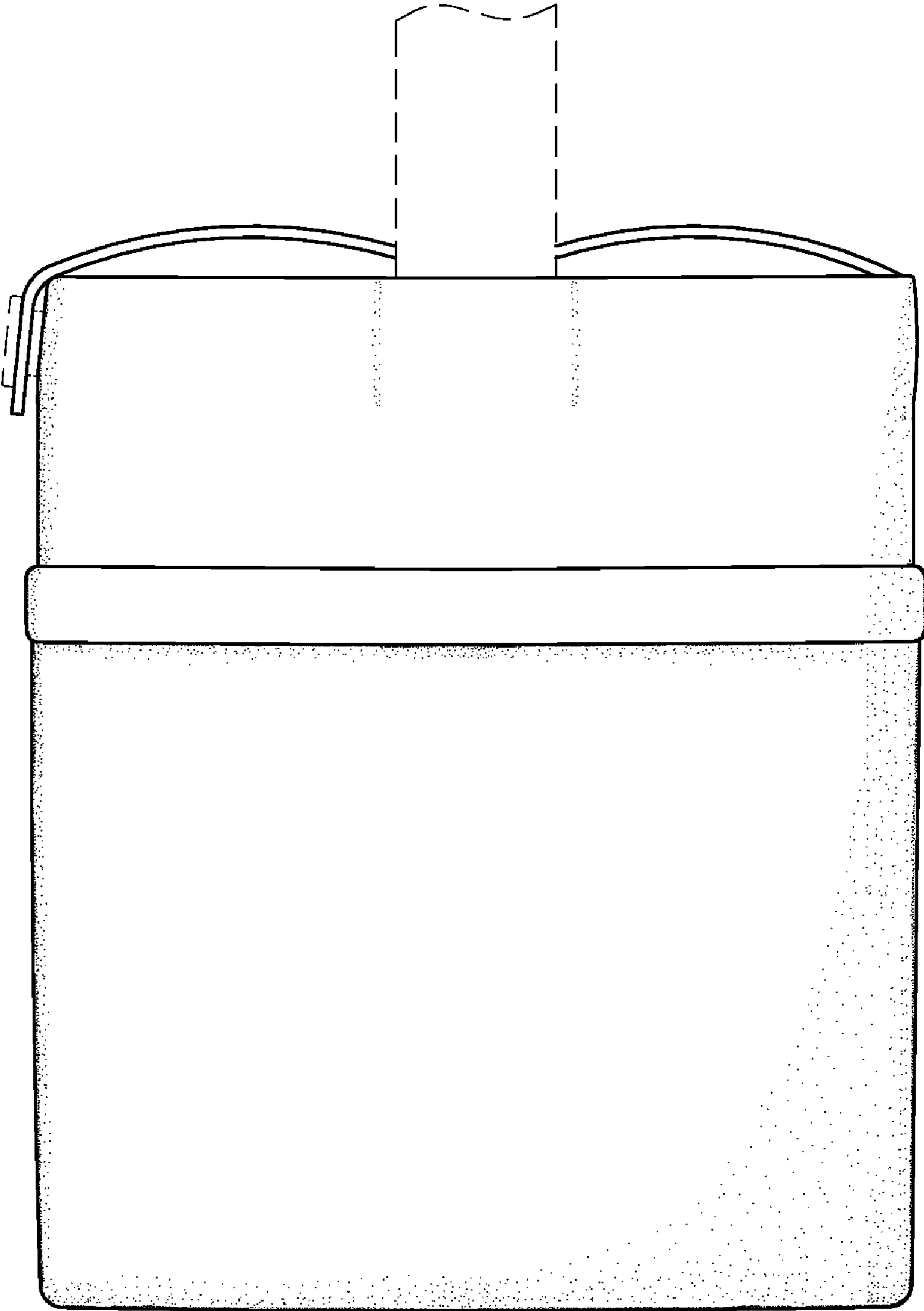
*FIG. 1*



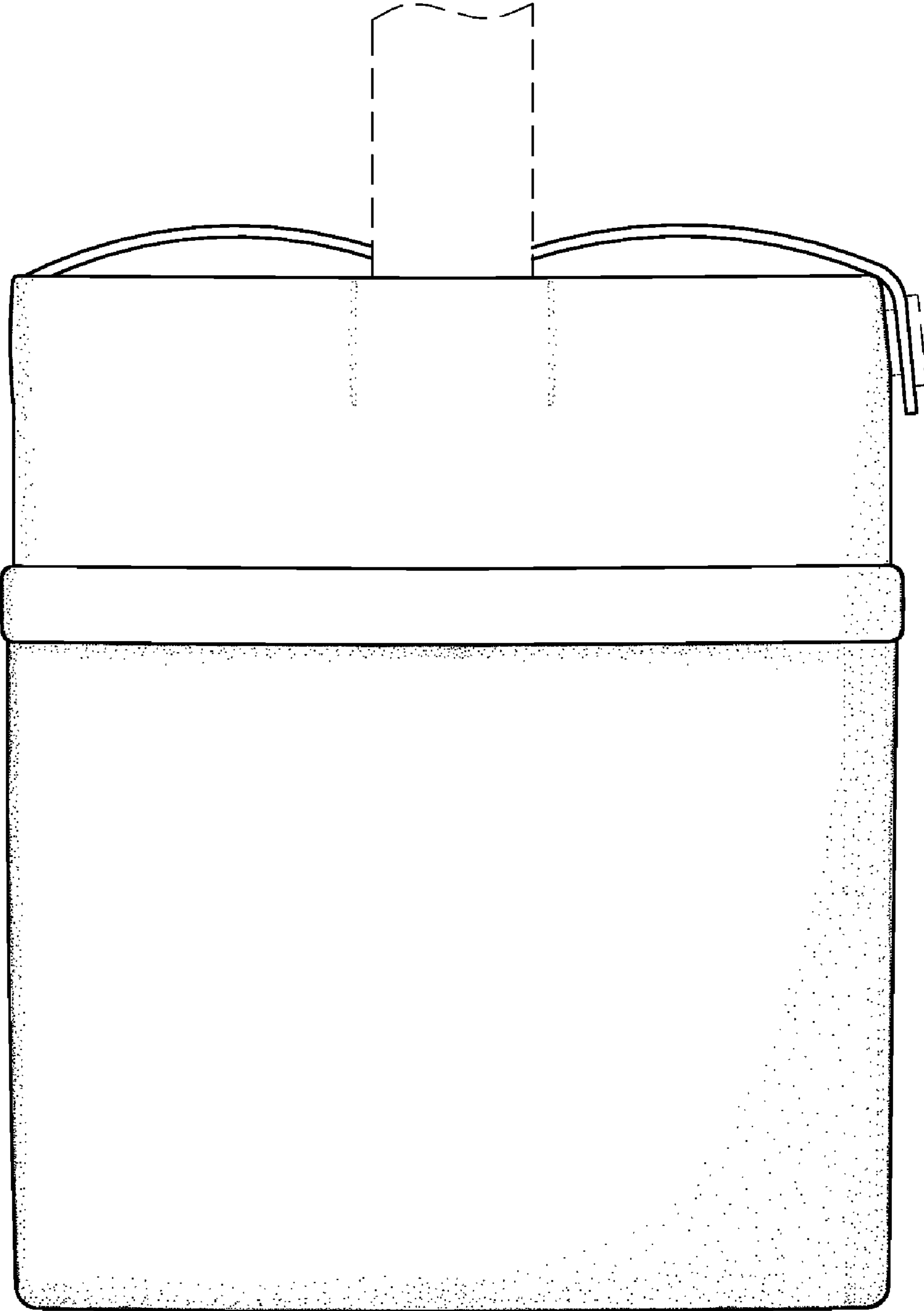
*FIG. 2*



*FIG. 3*

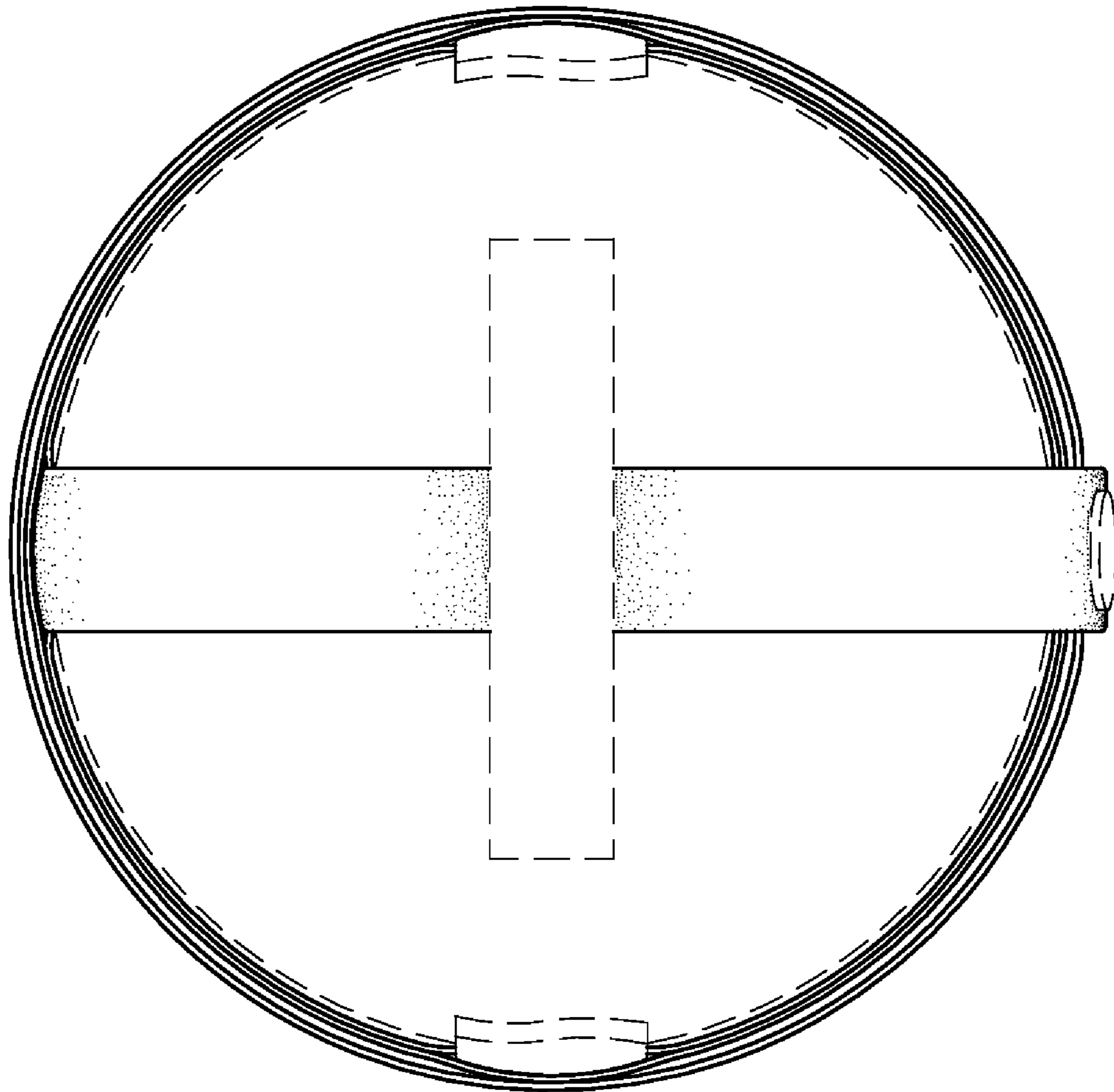


*FIG. 4*

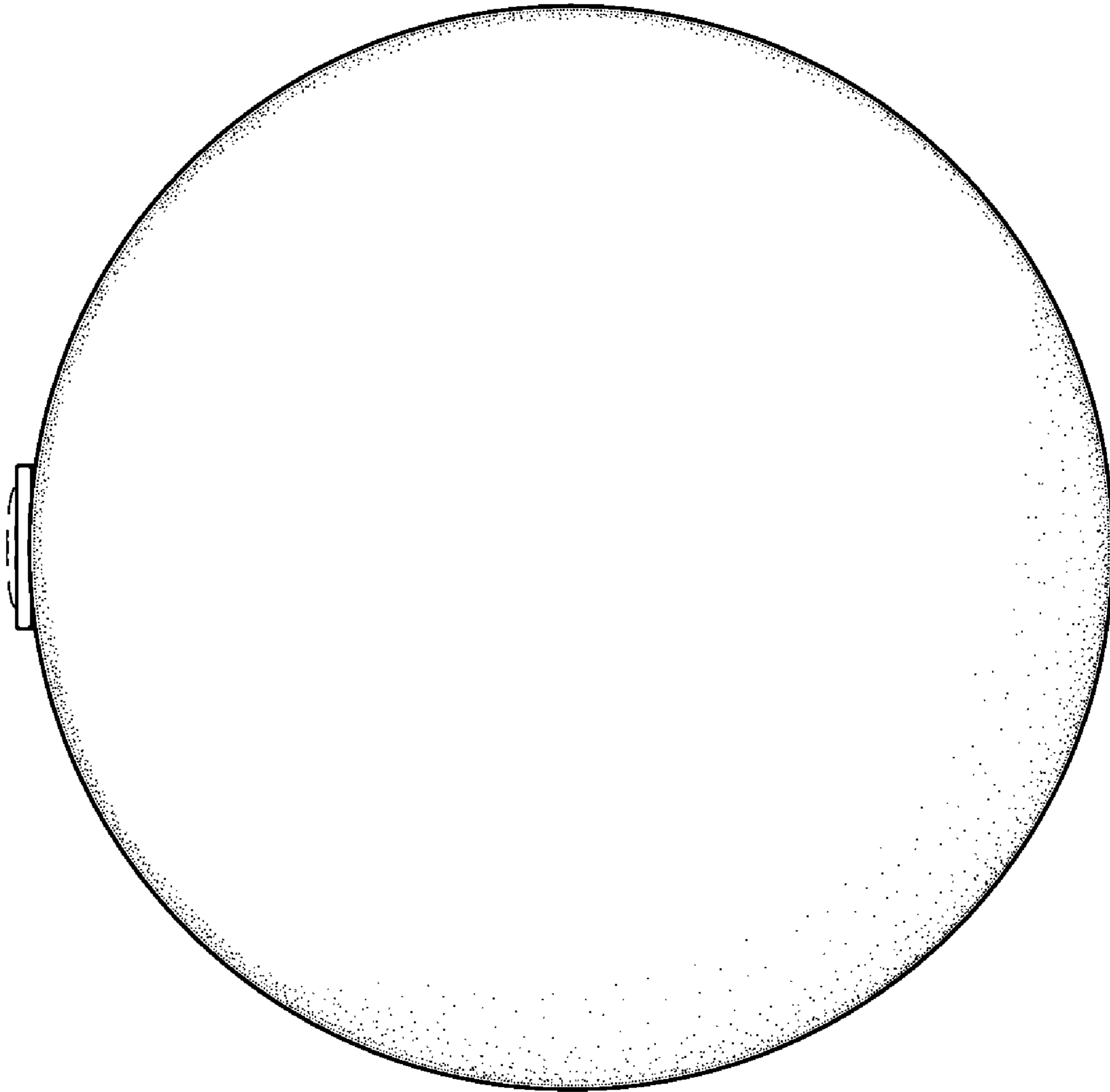


*FIG. 5*



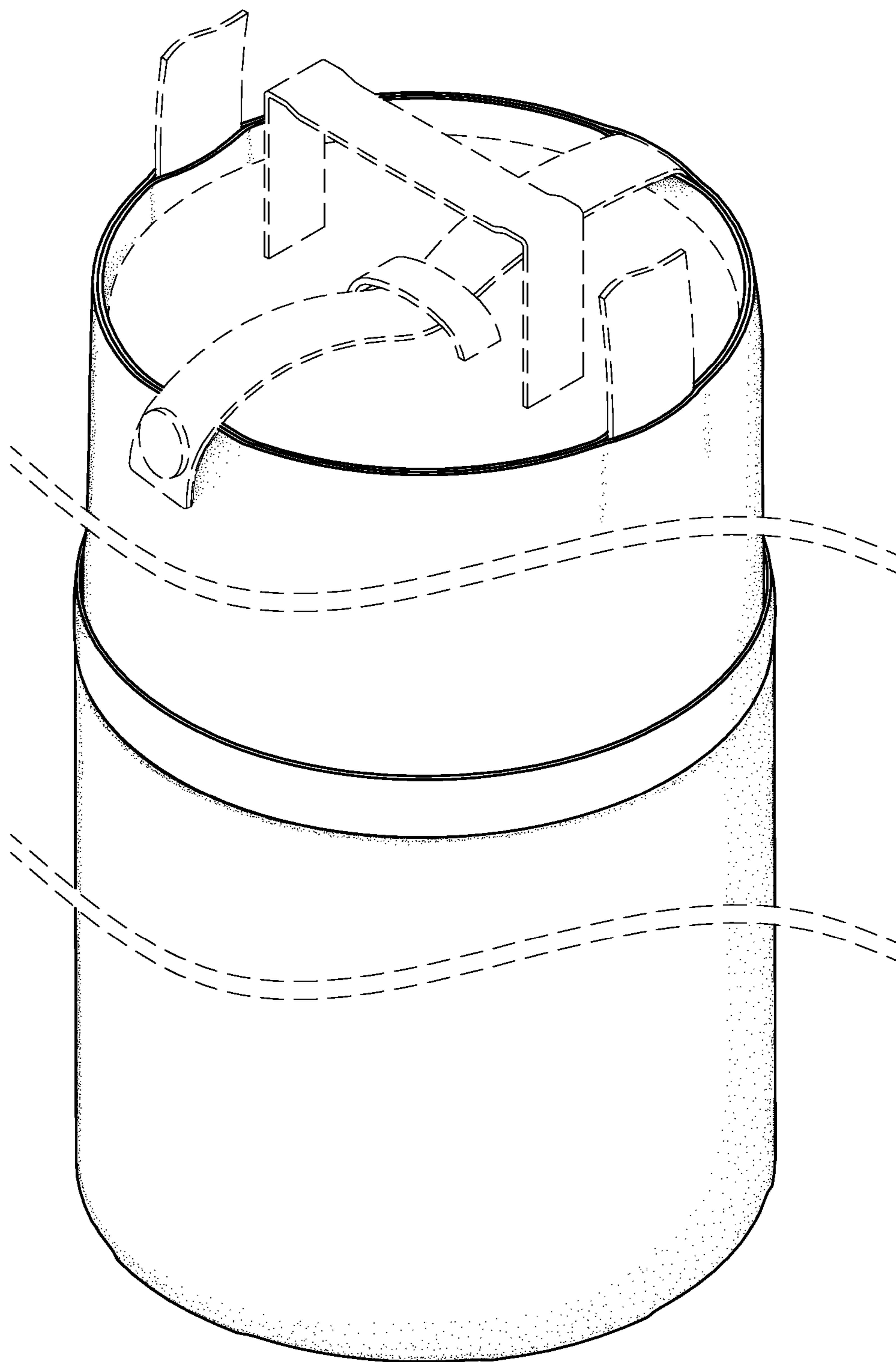


*FIG. 6*

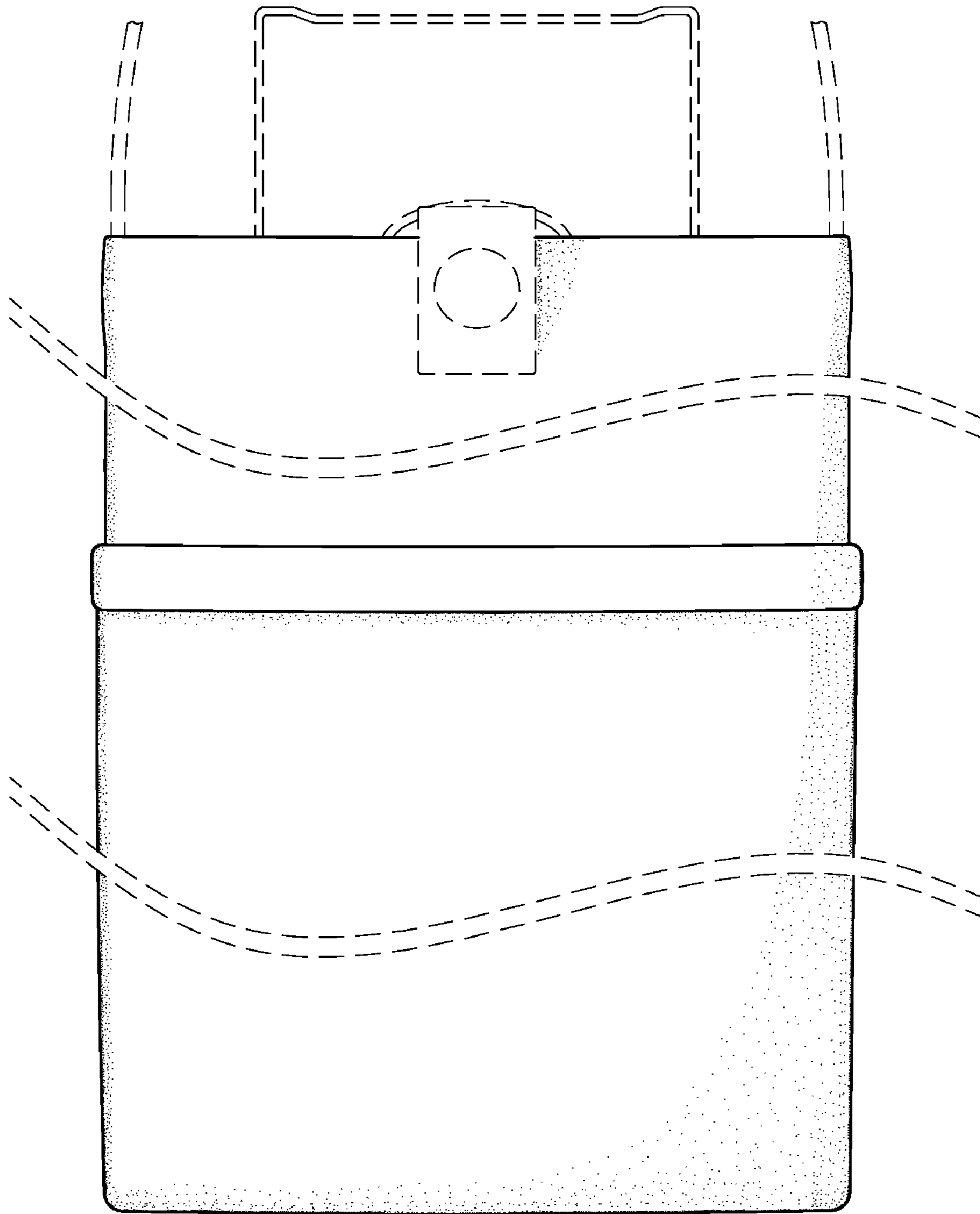


*FIG. 7*

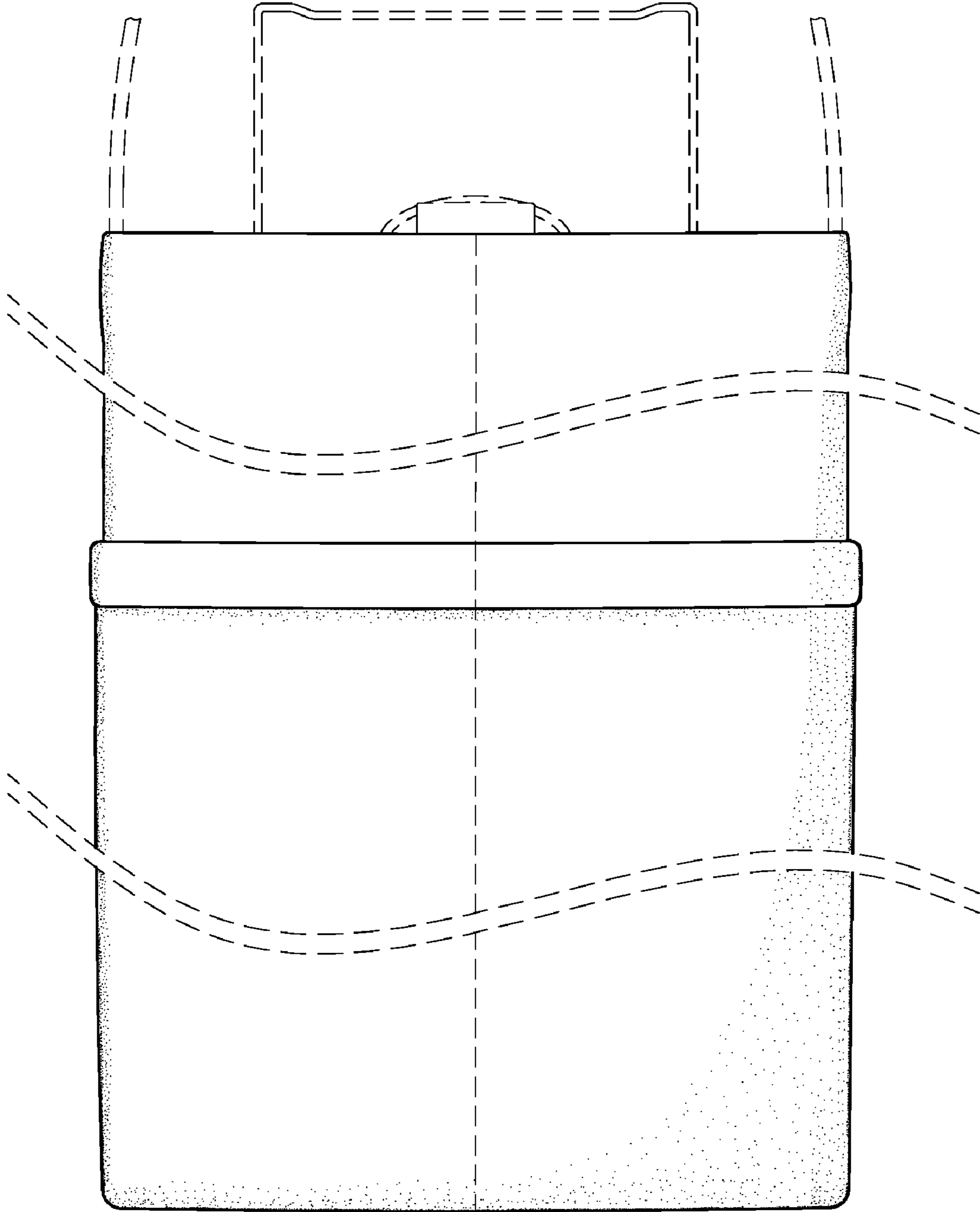




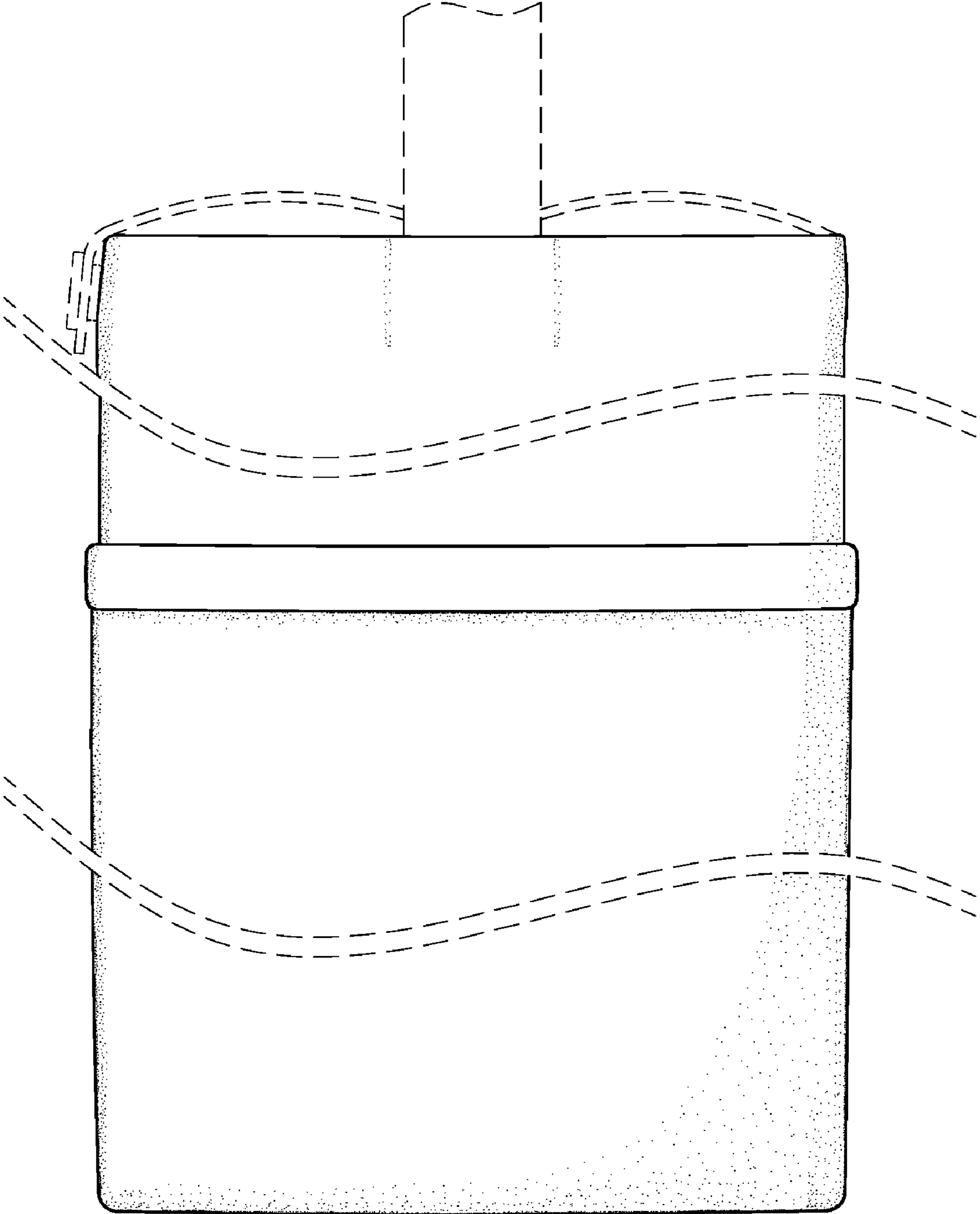
*FIG. 8*



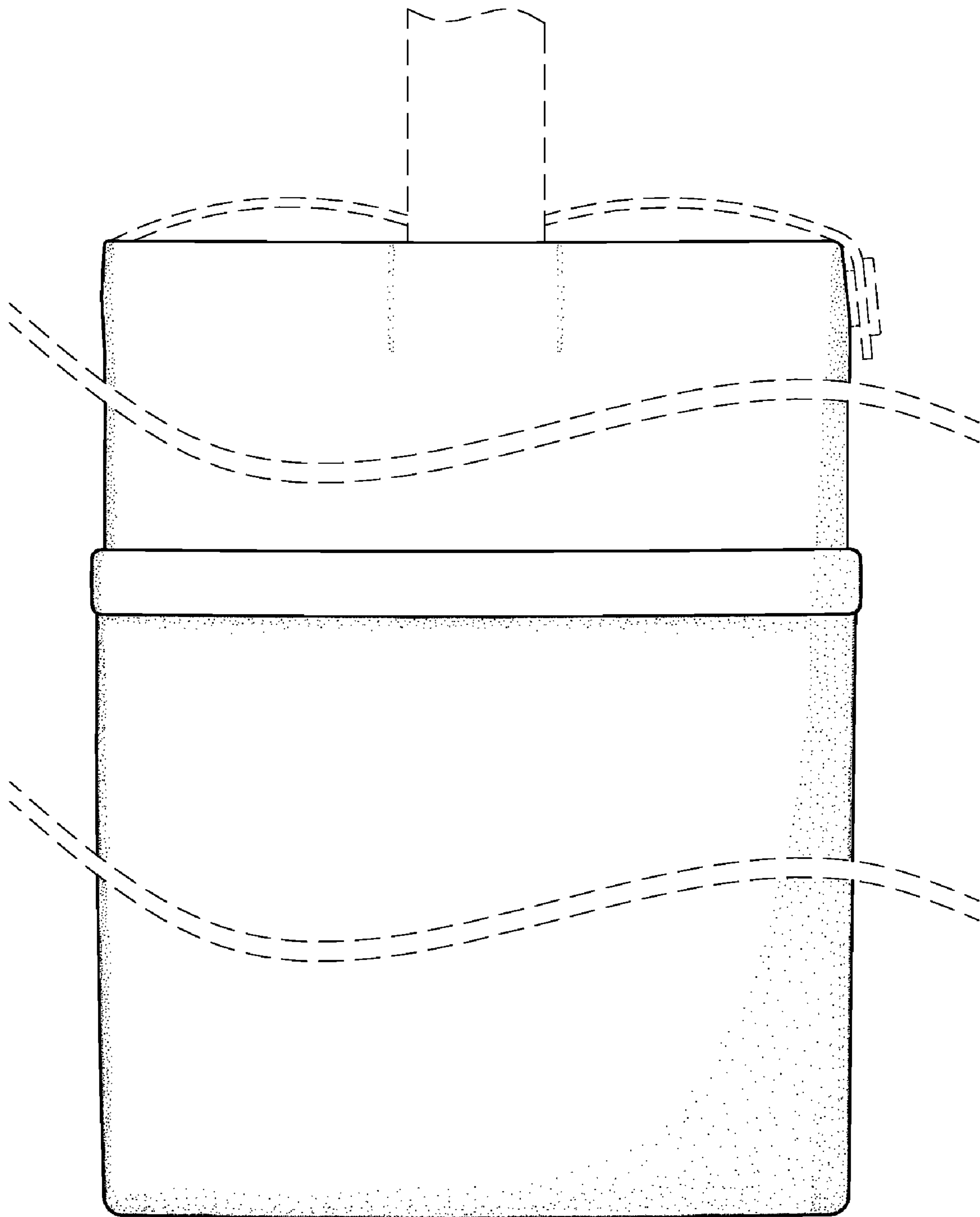
*FIG. 9*



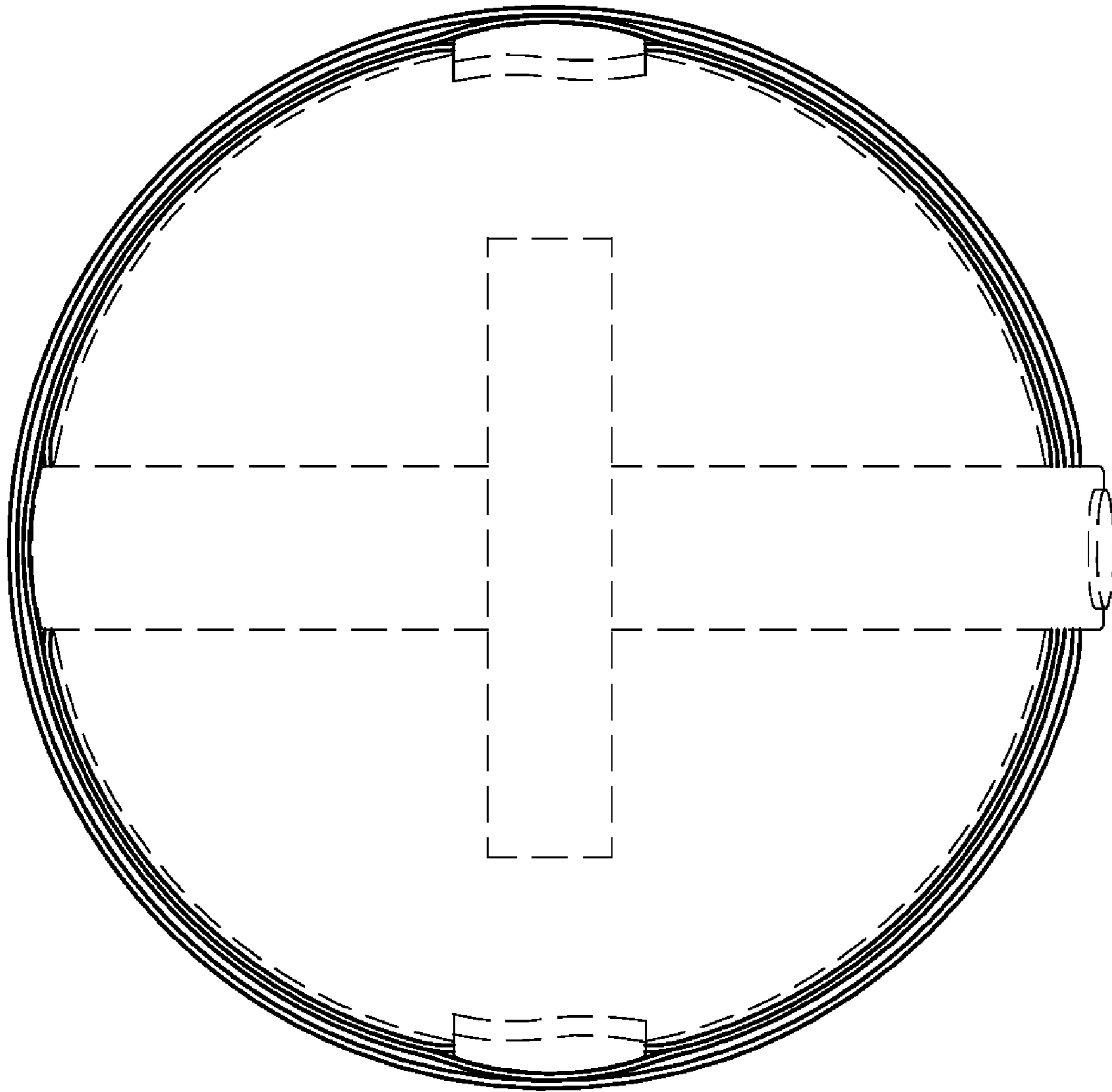
*FIG. 10*



*FIG. 11*

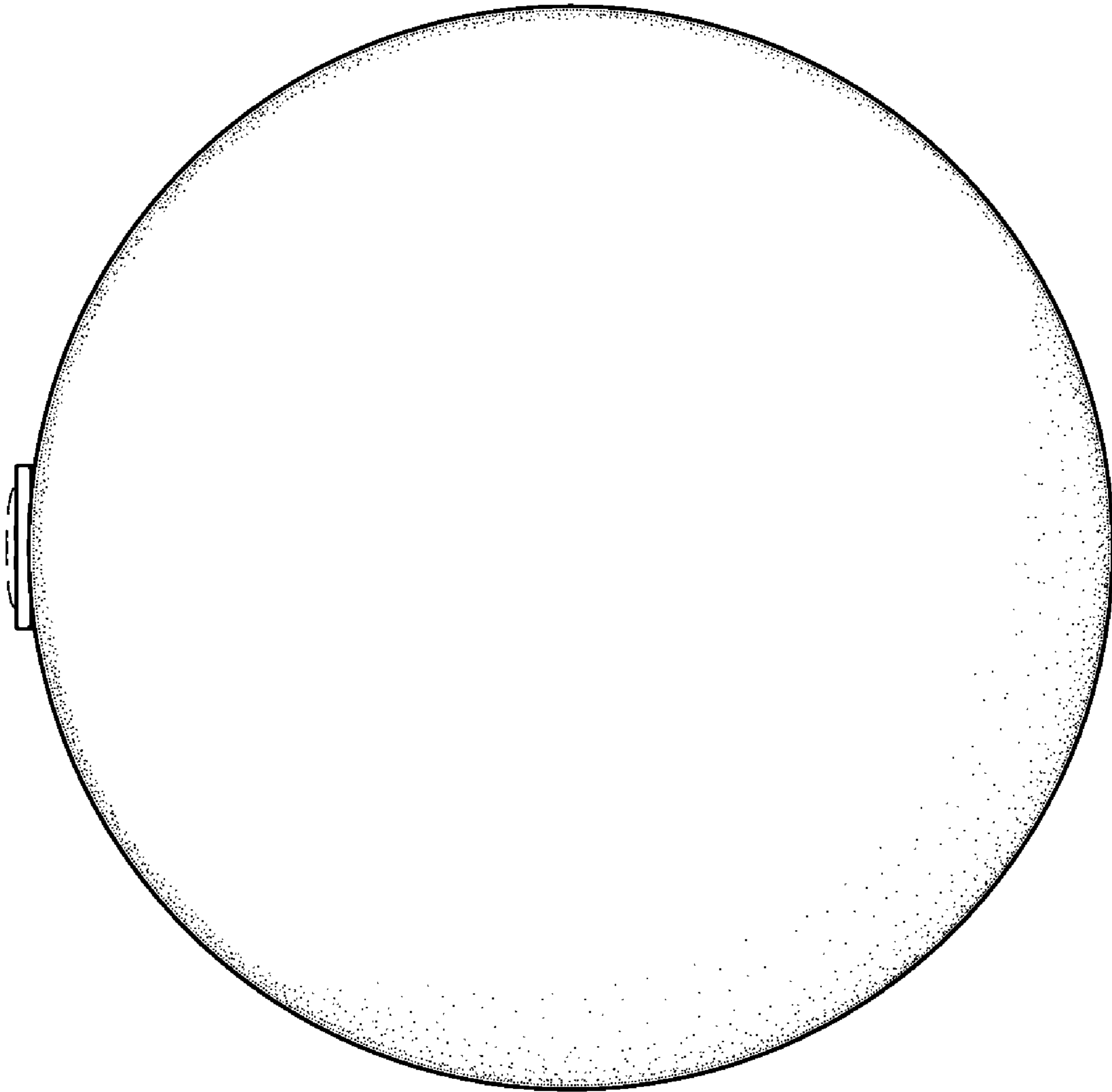


*FIG. 12*



*FIG. 13*





*FIG. 14*

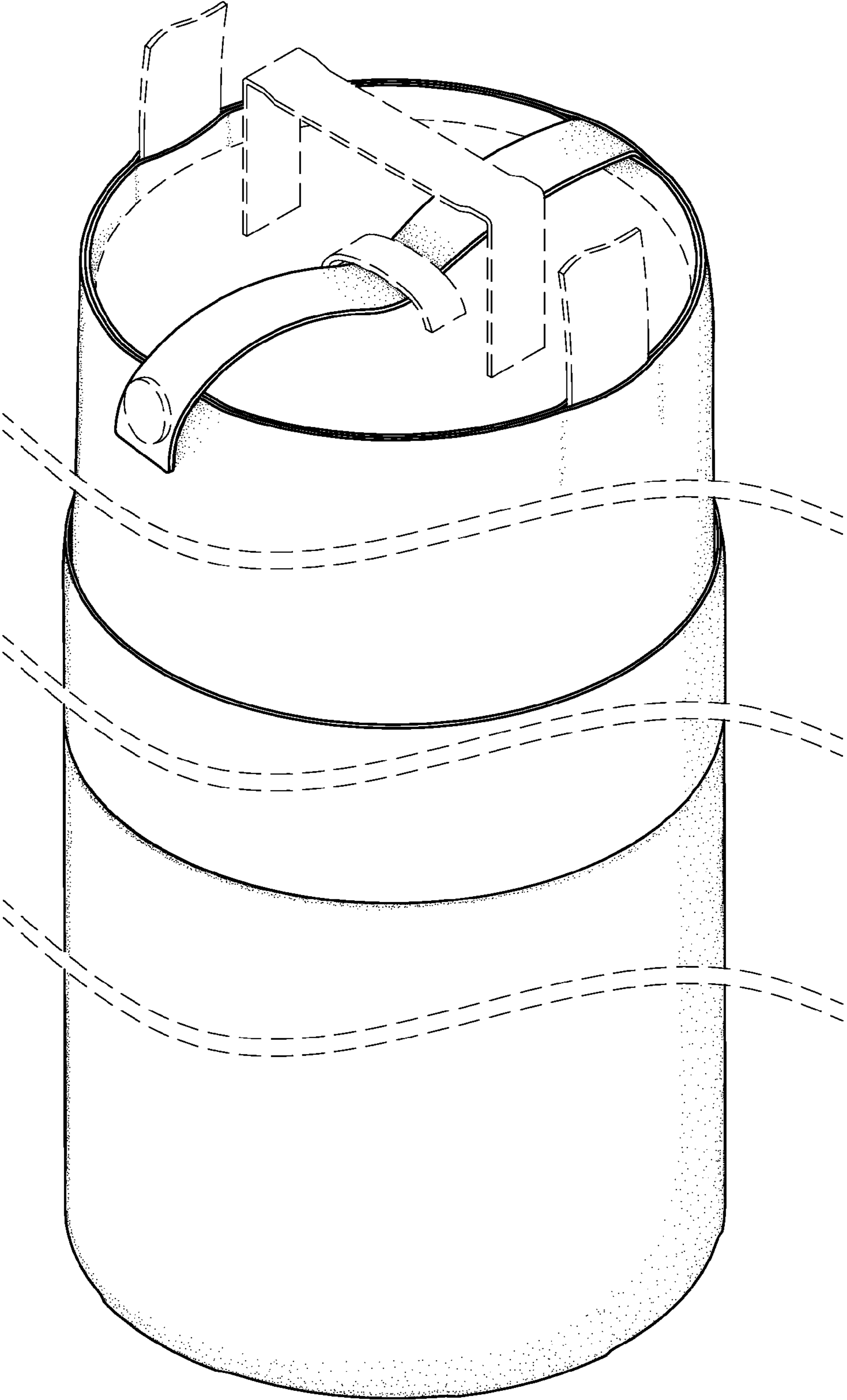
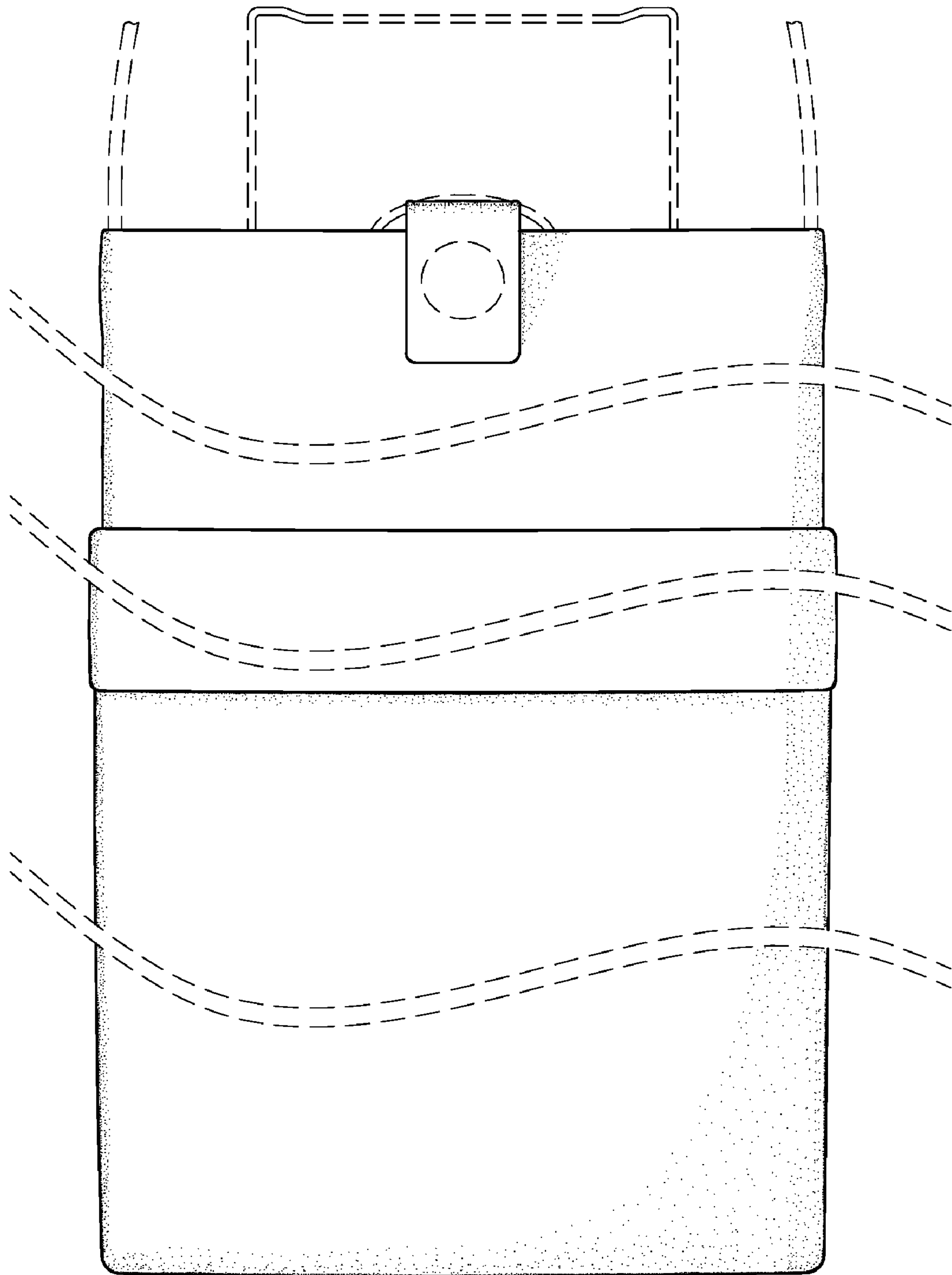
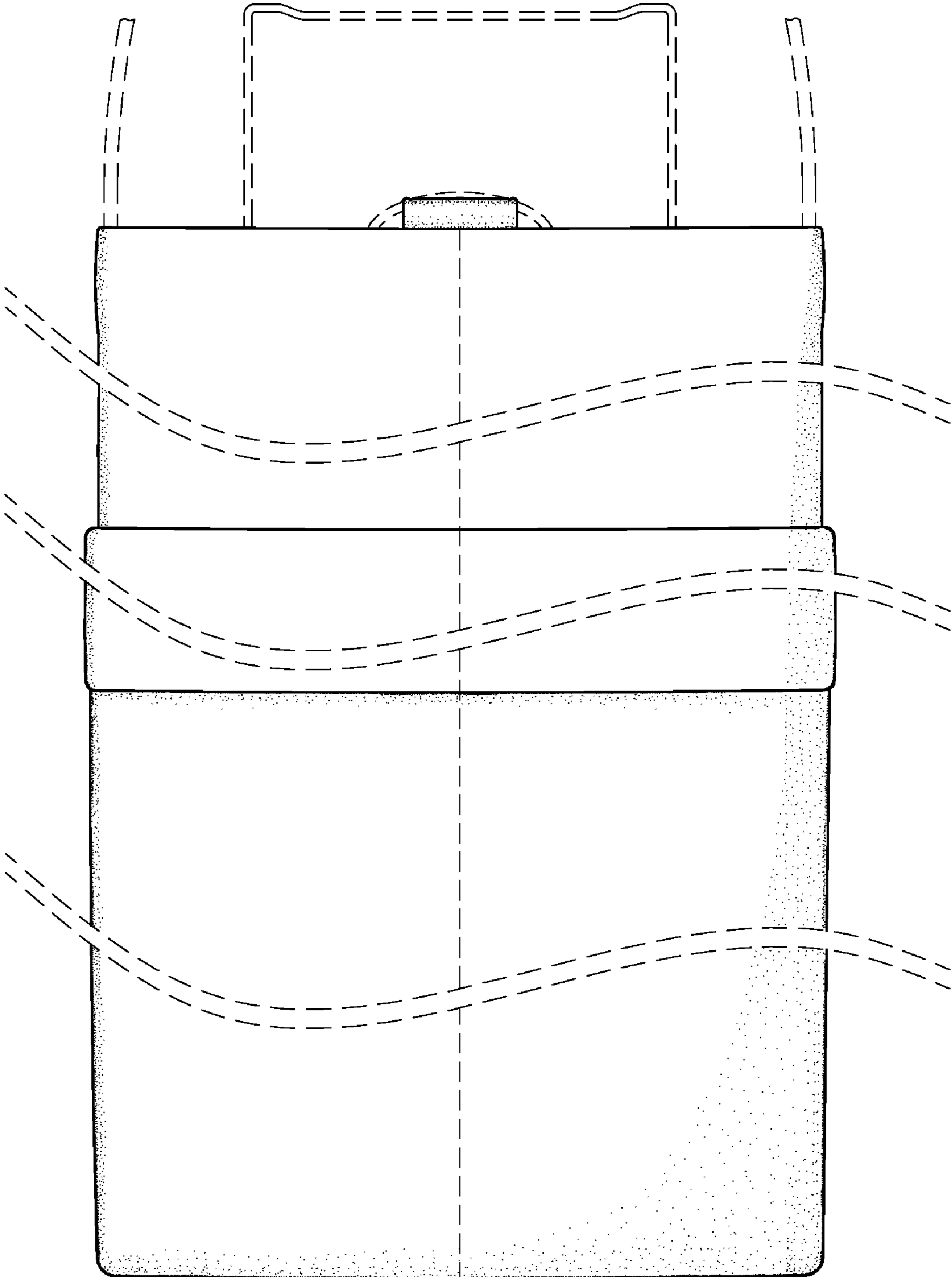


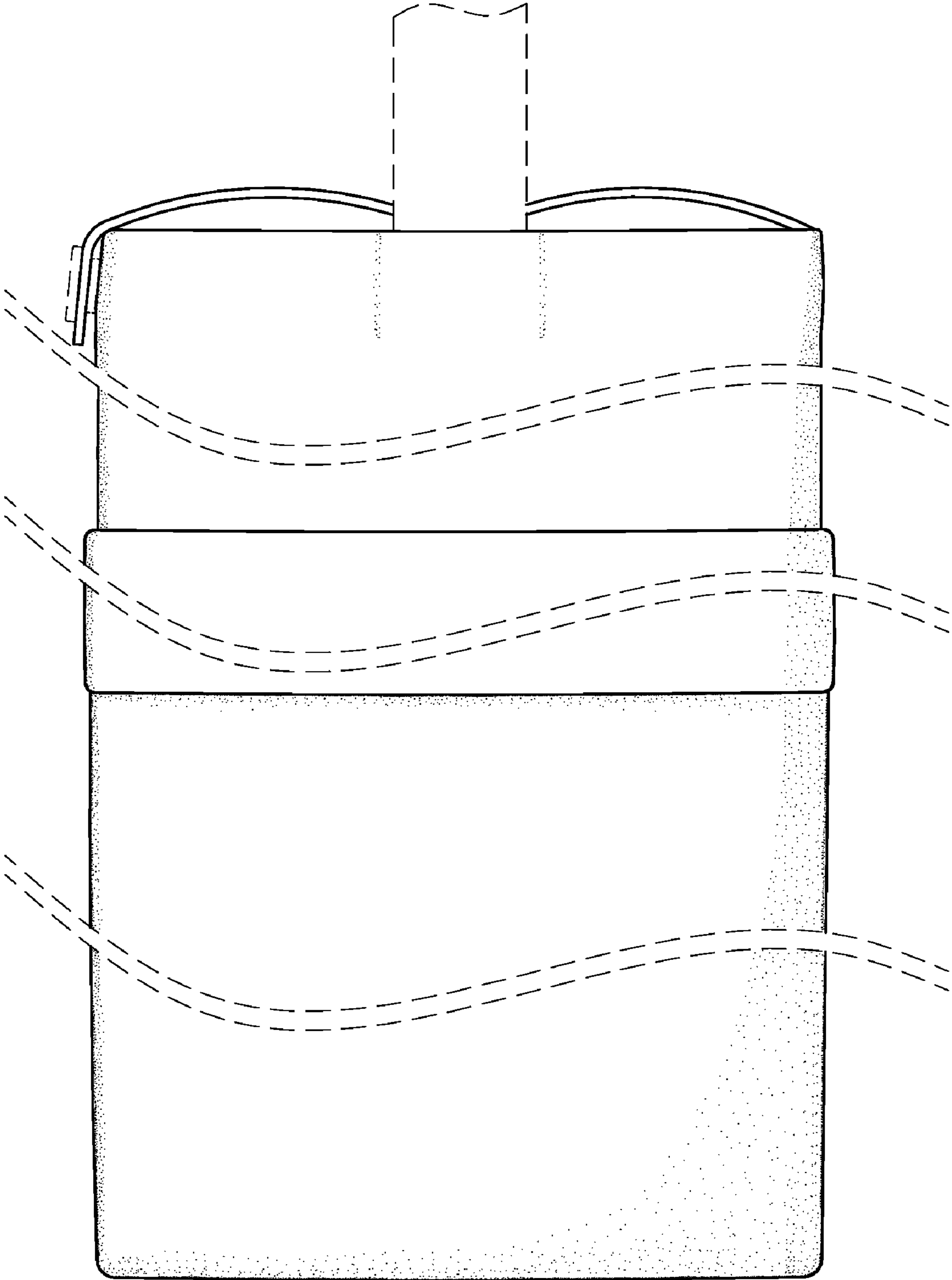
FIG. 15



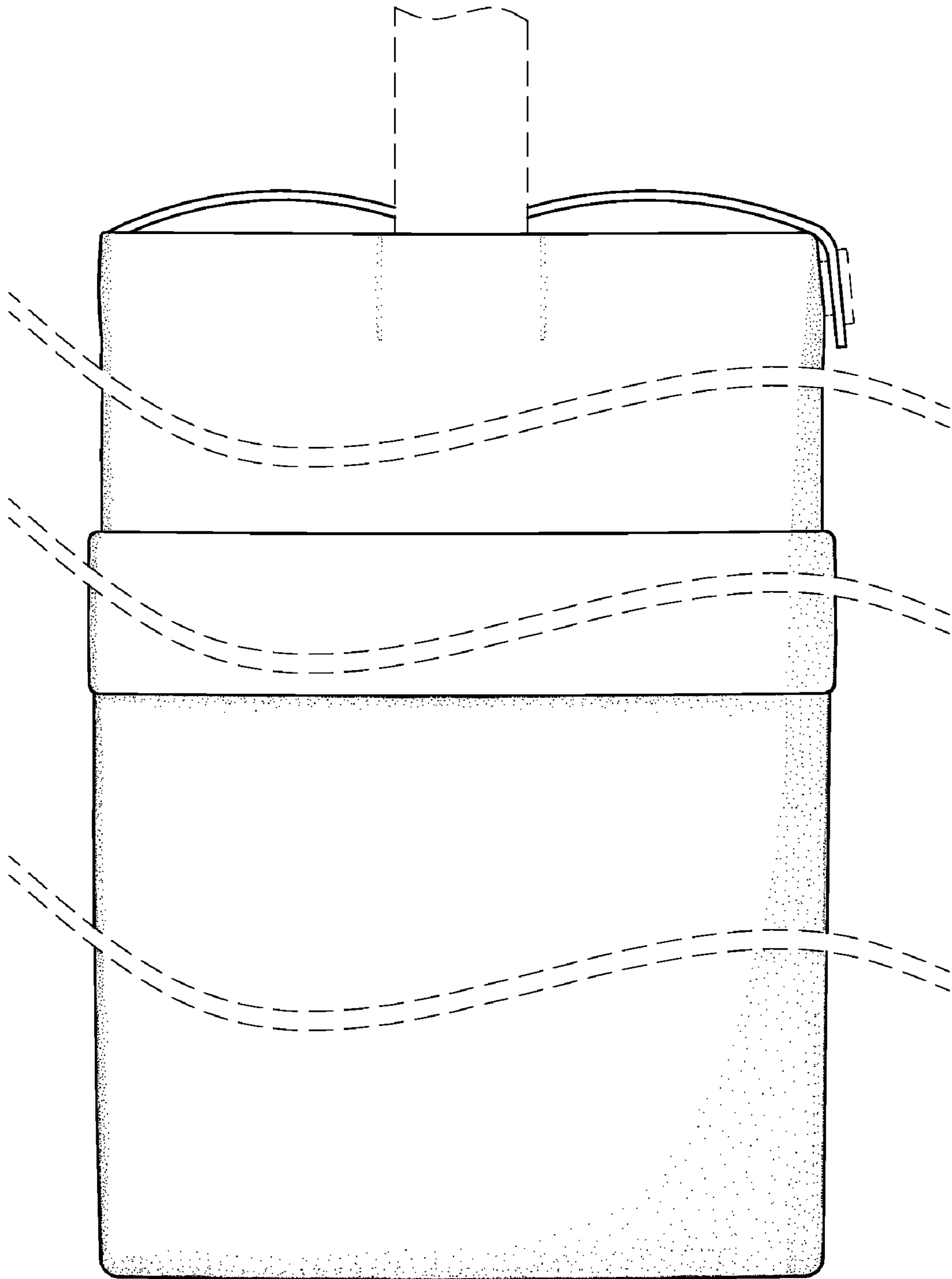
*FIG. 16*



*FIG. 17*

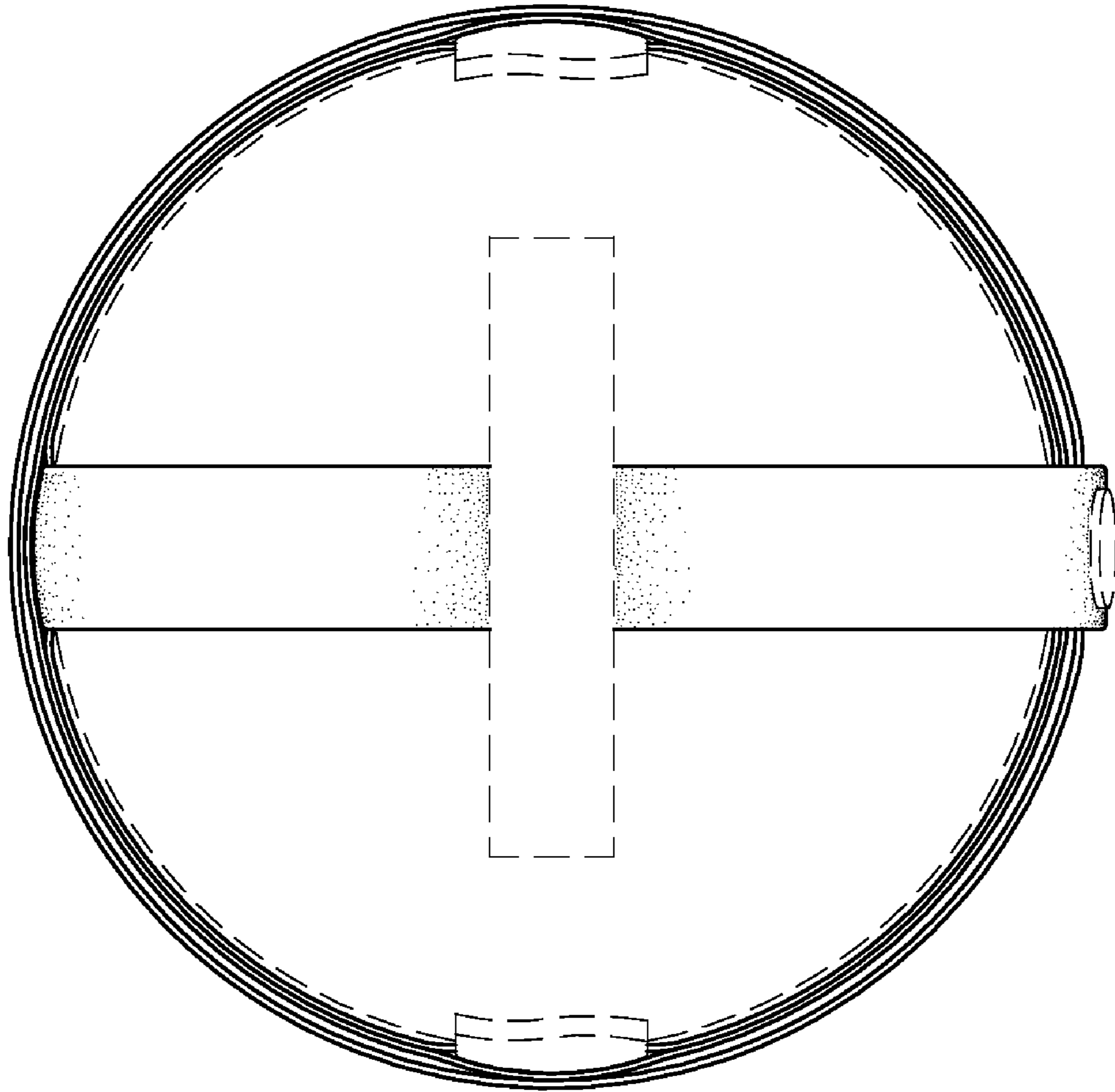


*FIG. 18*

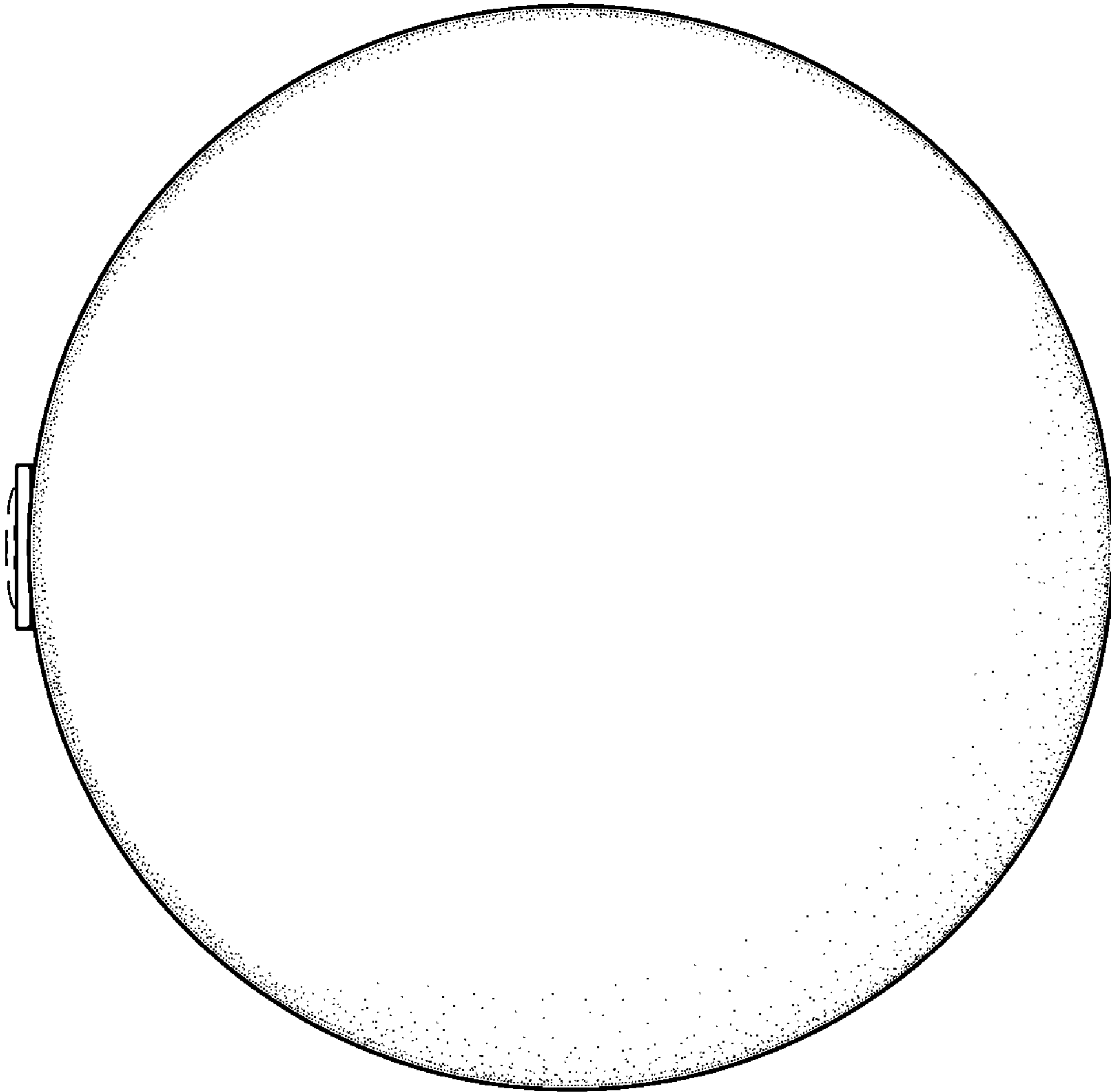


*FIG. 19*

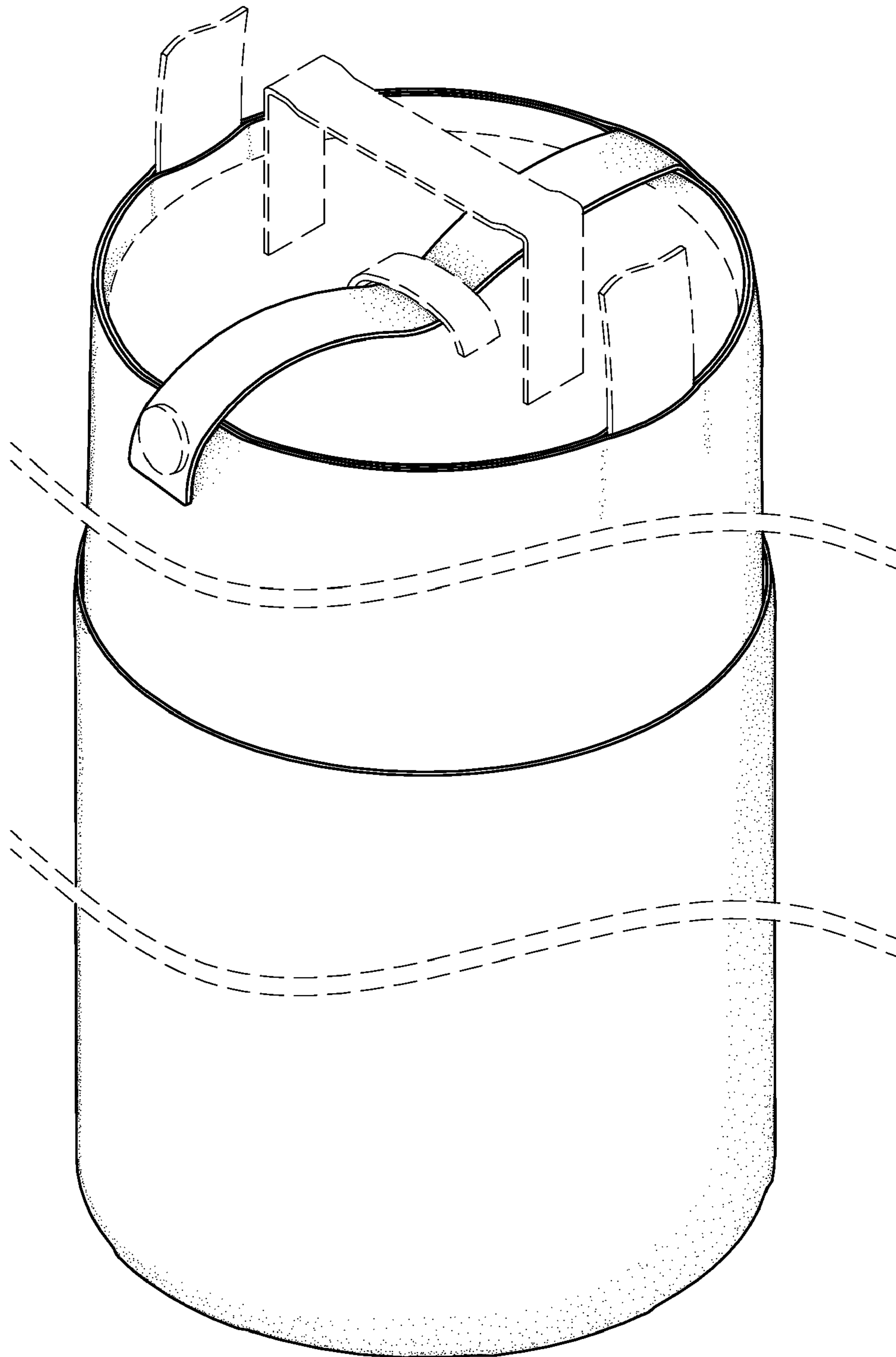




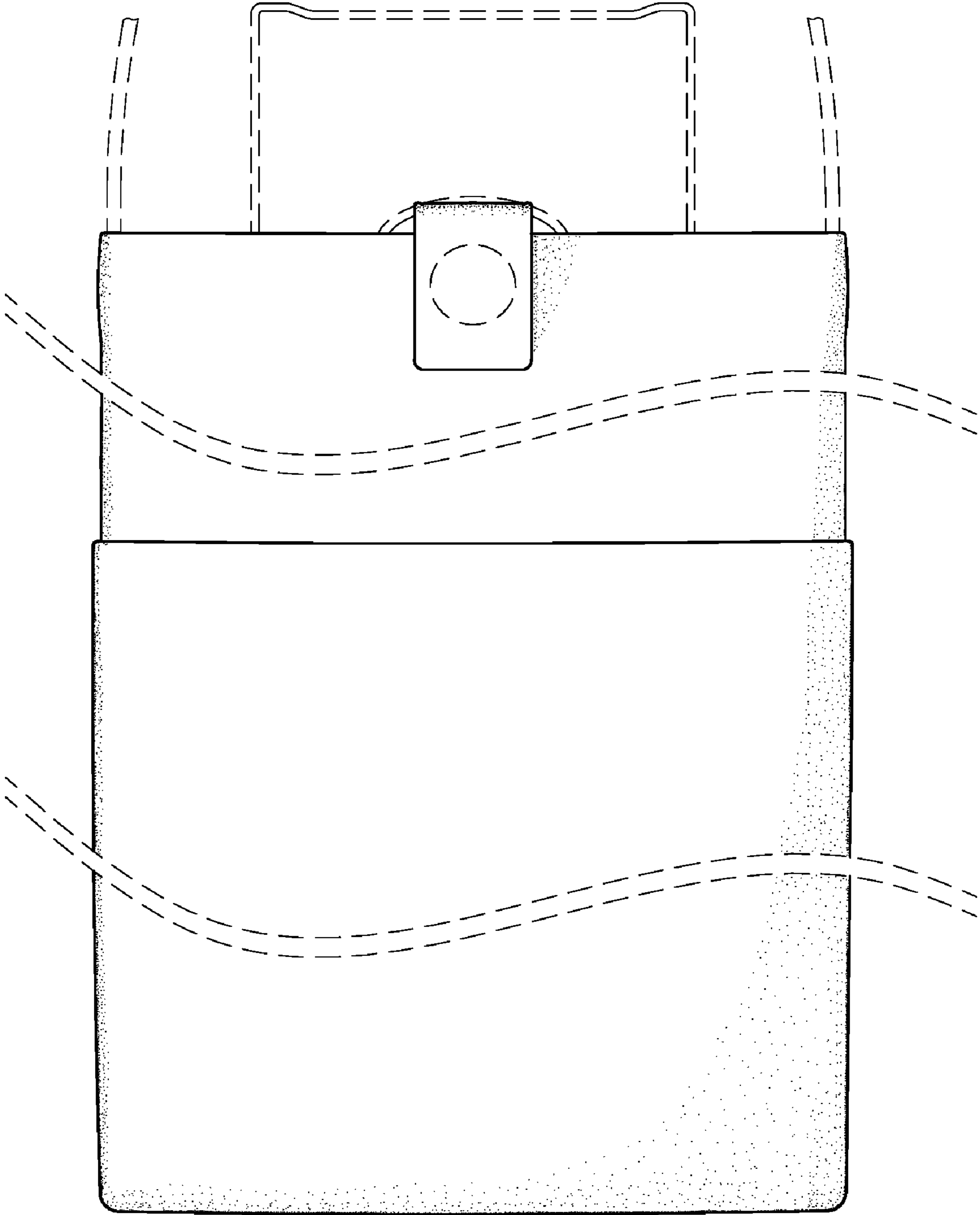
*FIG. 20*



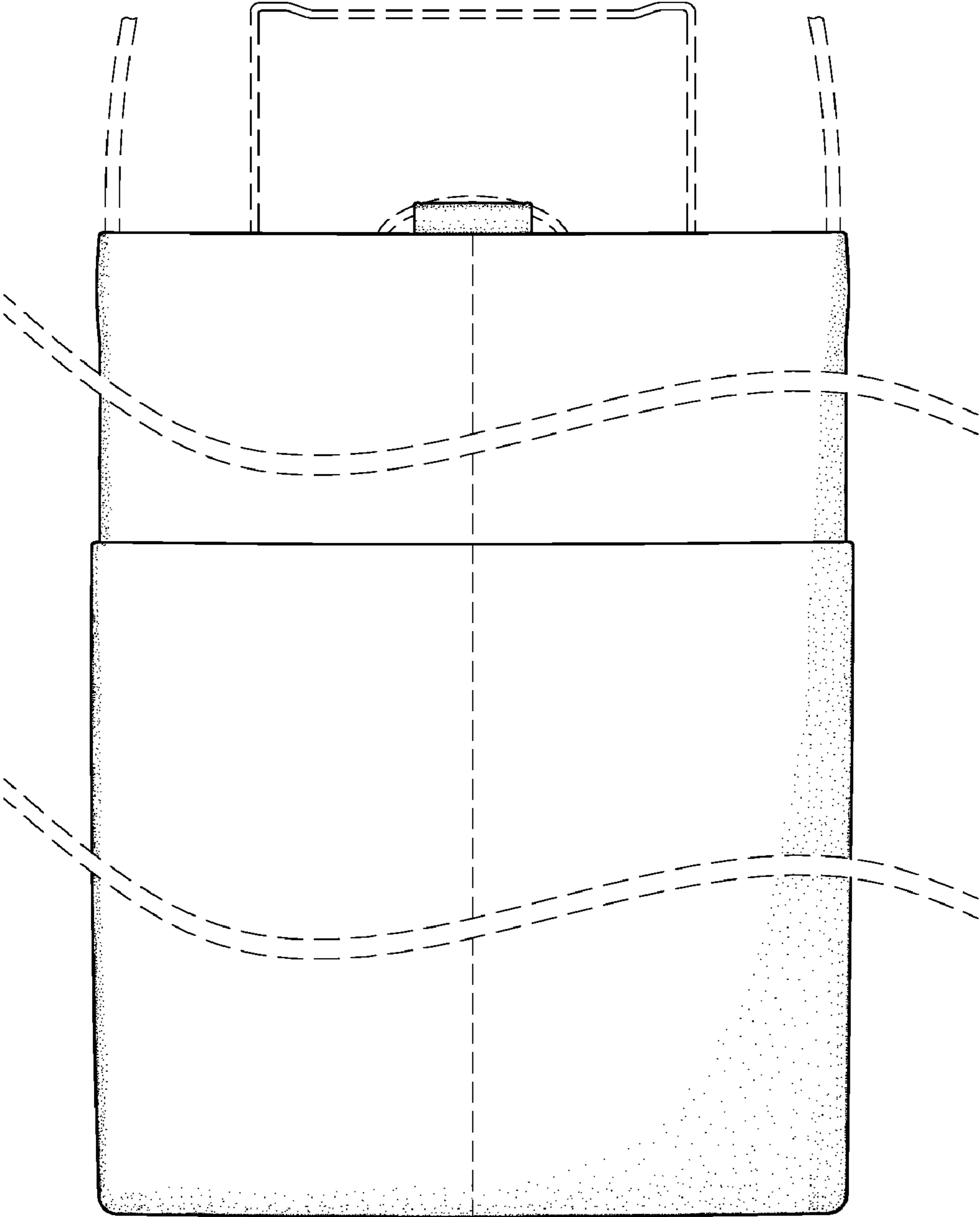
*FIG. 21*



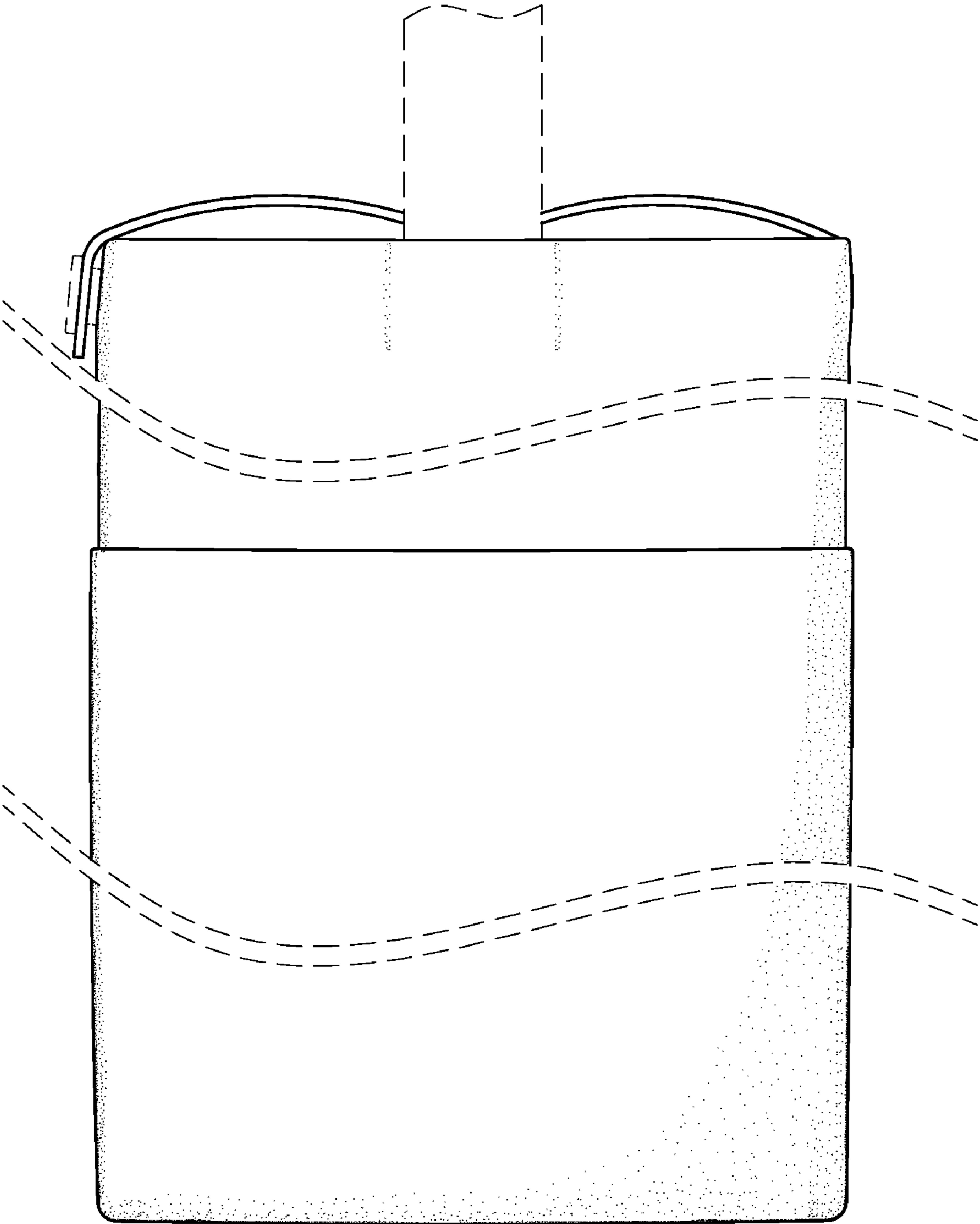
*FIG. 22*



*FIG. 23*

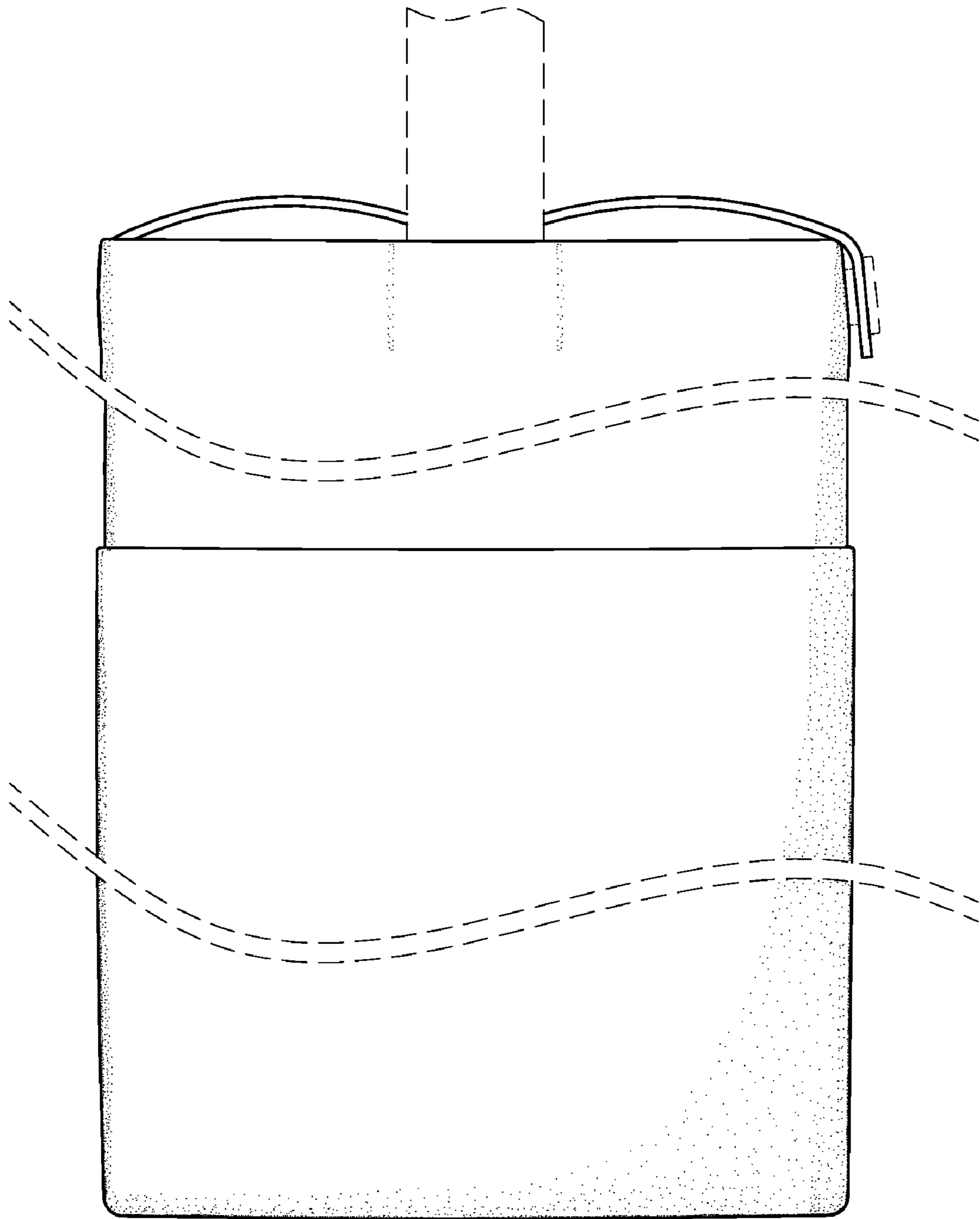


*FIG. 24*

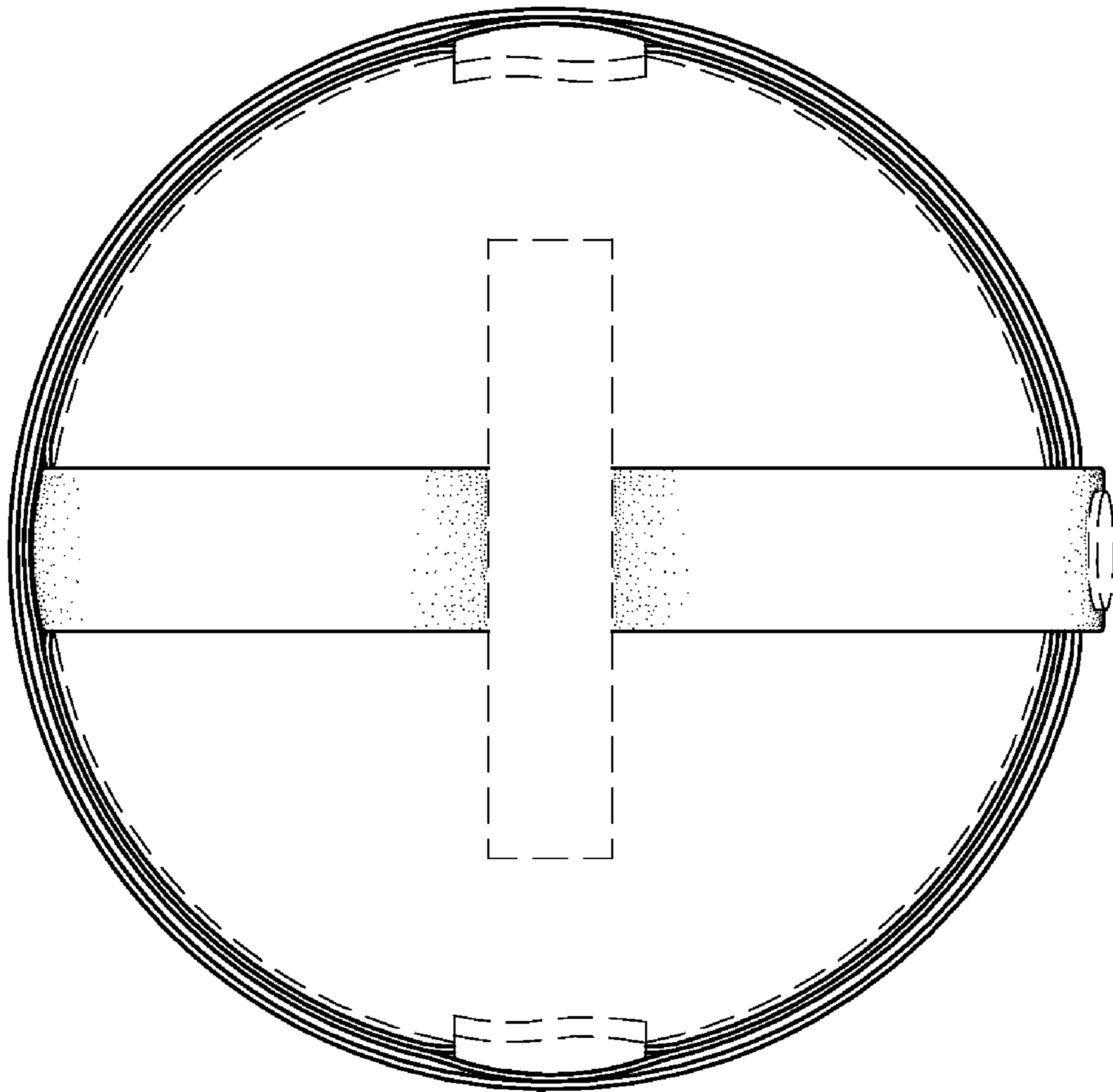


*FIG. 25*

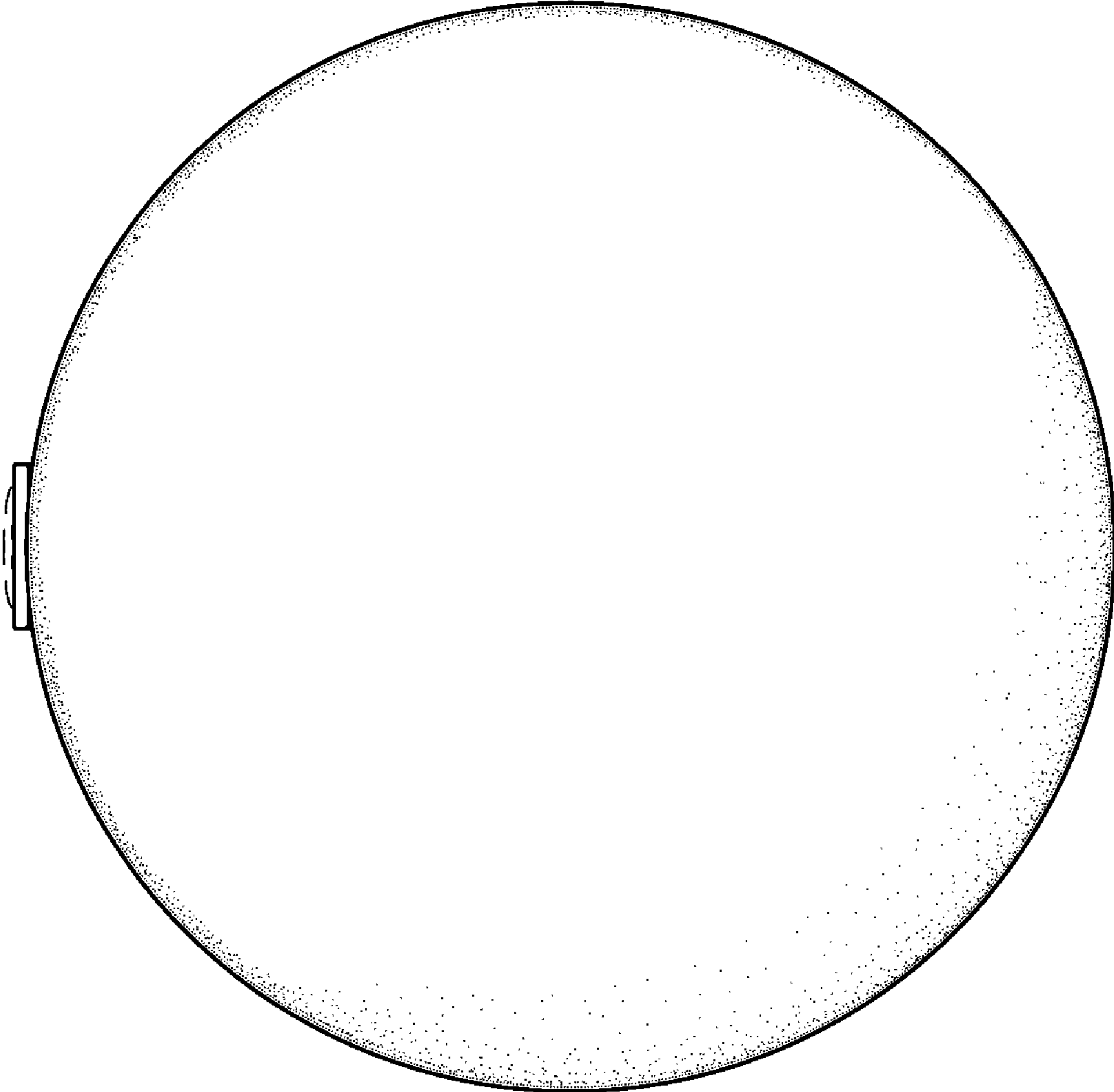




*FIG. 26*



*FIG. 27*



*FIG. 28*