



US00D613998S

(12) **United States Design Patent**
Zeisner

(10) **Patent No.:** **US D613,998 S**
(45) **Date of Patent:** **** Apr. 20, 2010**

(54) **BOWL**

(75) Inventor: **Daniel Zeisner**, Vienna (AT)

(73) Assignee: **Swarovski Aktiengesellschaft**, Triesen (LI)

(**) Term: **14 Years**

(21) Appl. No.: **29/311,570**

(22) Filed: **Apr. 21, 2009**

(30) **Foreign Application Priority Data**

Oct. 22, 2008 (EM) 001026264-0005

(51) **LOC (9) Cl.** **07-01**

(52) **U.S. Cl.** **D7/558; D7/560**

(58) **Field of Classification Search** D7/300,
D7/300.1, 312, 316, 318, 354, 356, 360, 376,
D7/380, 392.1, 394, 396.2, 396.6, 397, 500,
D7/501, 503, 505, 507, 523, 532, 535, 538,
D7/540-555, 557, 558, 560-562, 565, 566,
D7/570-571, 584-588, 601-602, 611, 624.1,
D7/629-630, 642, 669, 682-383, 686, 688,
D7/701; D6/339, 406.1-406.6, 419, 429,
D6/430; D9/340, 414-418, 420, 422-426,
D9/428-433, 456-457, 499, 500, 502, 655-657,
D9/702-703, 737, 749, 755, 761, 769, 772,
D9/901, 902; D11/152, 154, 155, 156; D12/133,
D12/416, 419, 426.1; D14/157, 447, 457;
D19/35; D24/132, 216, 220, 221, 224, 227;
D26/121; D30/123, 129-130; 220/23.83,
220/212, 506, 555, 560, 561, 574-575, 577,
220/657; 206/561, 565; 425/459, 623; 426/106,
426/119, 120, 127

See application file for complete search history.

(56) **References Cited**

U.S. PATENT DOCUMENTS

D62,228 S * 4/1923 Magee D7/558

D78,585 S * 5/1929 Nock D7/558
D94,206 S * 1/1935 Guild D7/560
D94,207 S * 1/1935 Guild D7/558
D383,944 S * 9/1997 Lillelund et al. D7/558
D402,506 S * 12/1998 Chilewich D7/558
D406,986 S * 3/1999 Lewis D7/558
D462,793 S * 9/2002 Freeman et al. D26/9
D472,770 S * 4/2003 Wellner et al. D7/584
D548,529 S * 8/2007 Wasserman et al. D7/545
D564,843 S * 3/2008 Frank D7/566

* cited by examiner

Primary Examiner—Jeffrey D Asch

Assistant Examiner—Bridget L Eland

(74) *Attorney, Agent, or Firm*—Wenderoth, Lind & Ponack, L.P.

(57) **CLAIM**

I claim the ornamental design for a bowl, as shown and described.

DESCRIPTION

FIG. 1 is a bottom view;

FIG. 2 is a top view;

FIG. 3 is a front view;

FIG. 4 is a back view;

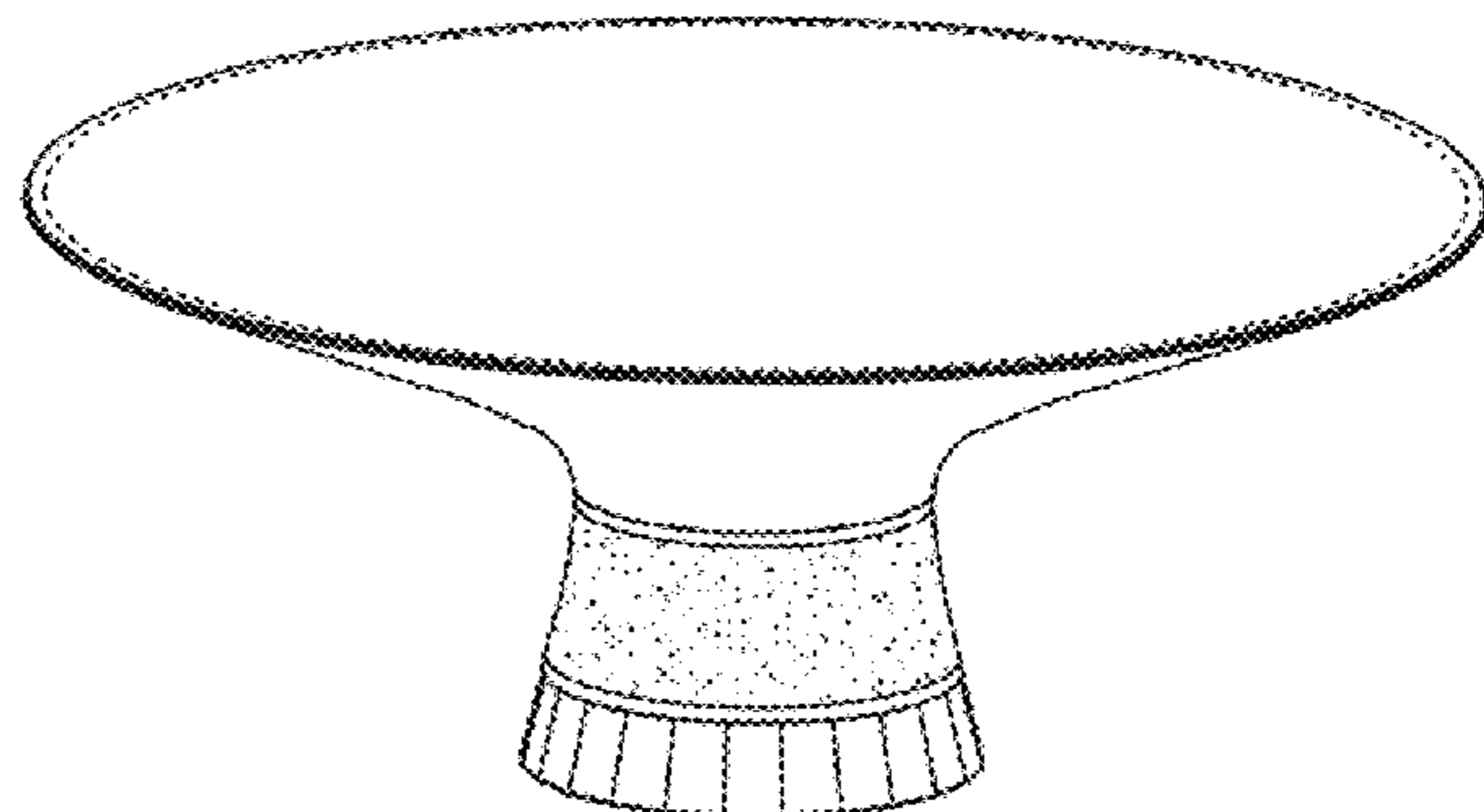
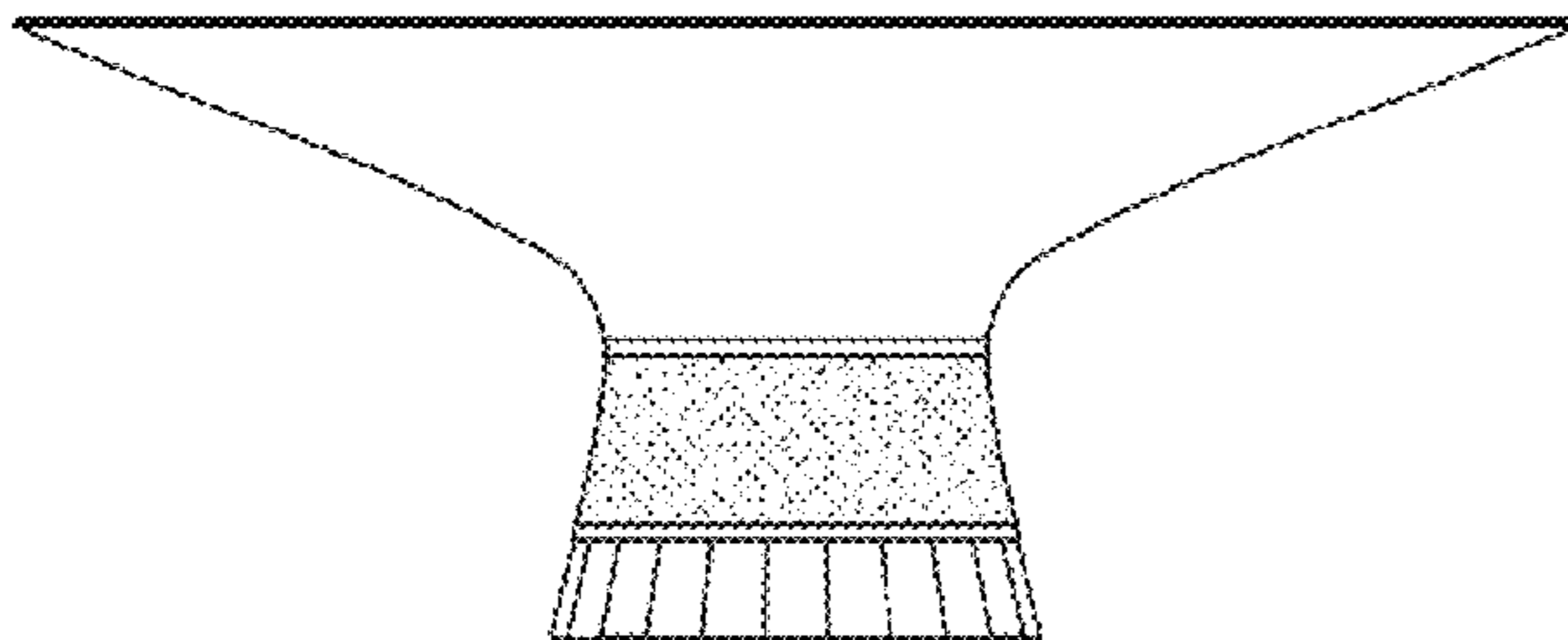
FIG. 5 is a left side view;

FIG. 6 is a right side view; and,

FIG. 7 is a perspective view of the present design.

The broken lines in FIGS. 2 and 7 represent the bounds of the claimed design; the broken lines form no part of the claimed design.

1 Claim, 4 Drawing Sheets



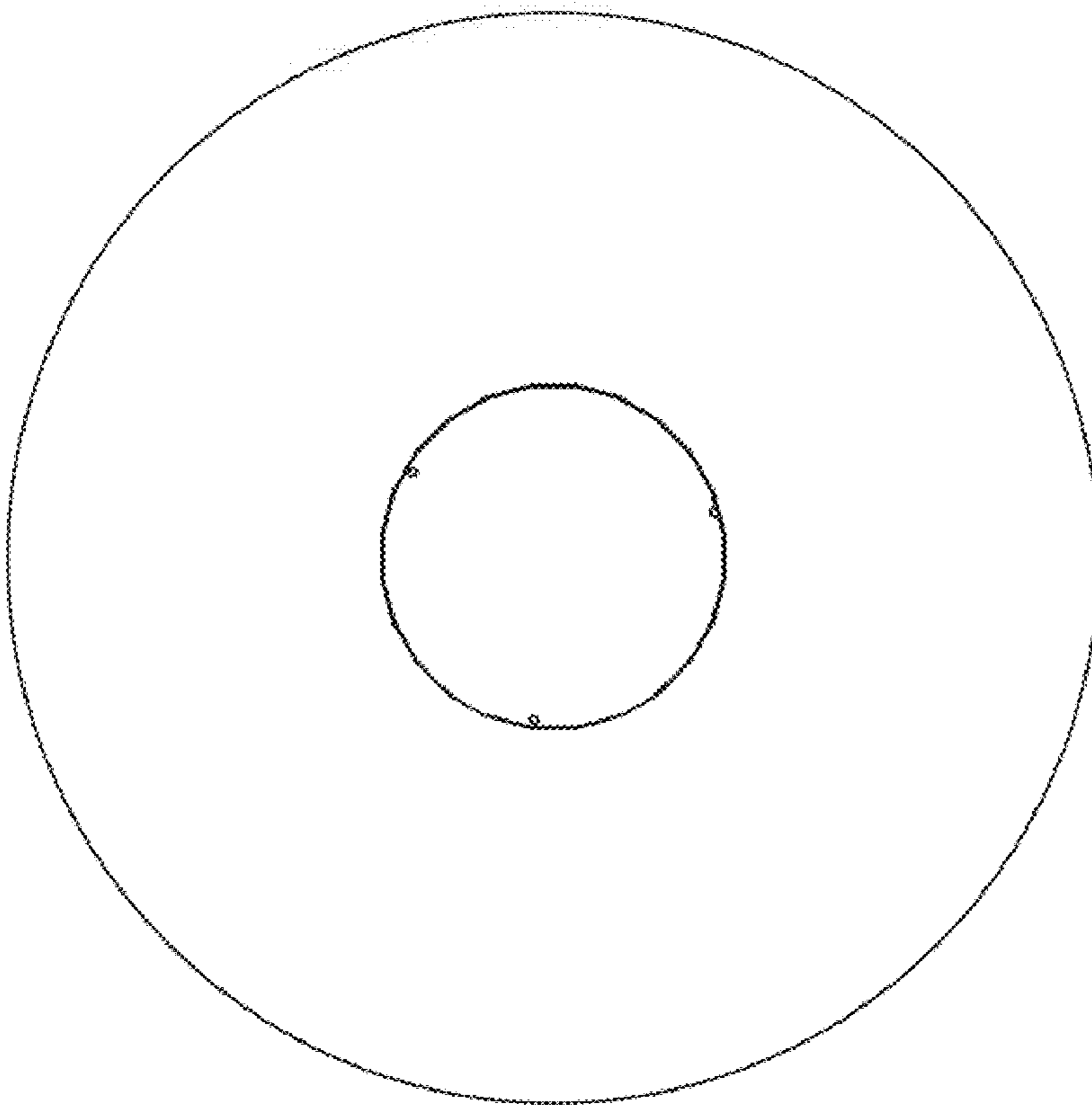


Fig. 1

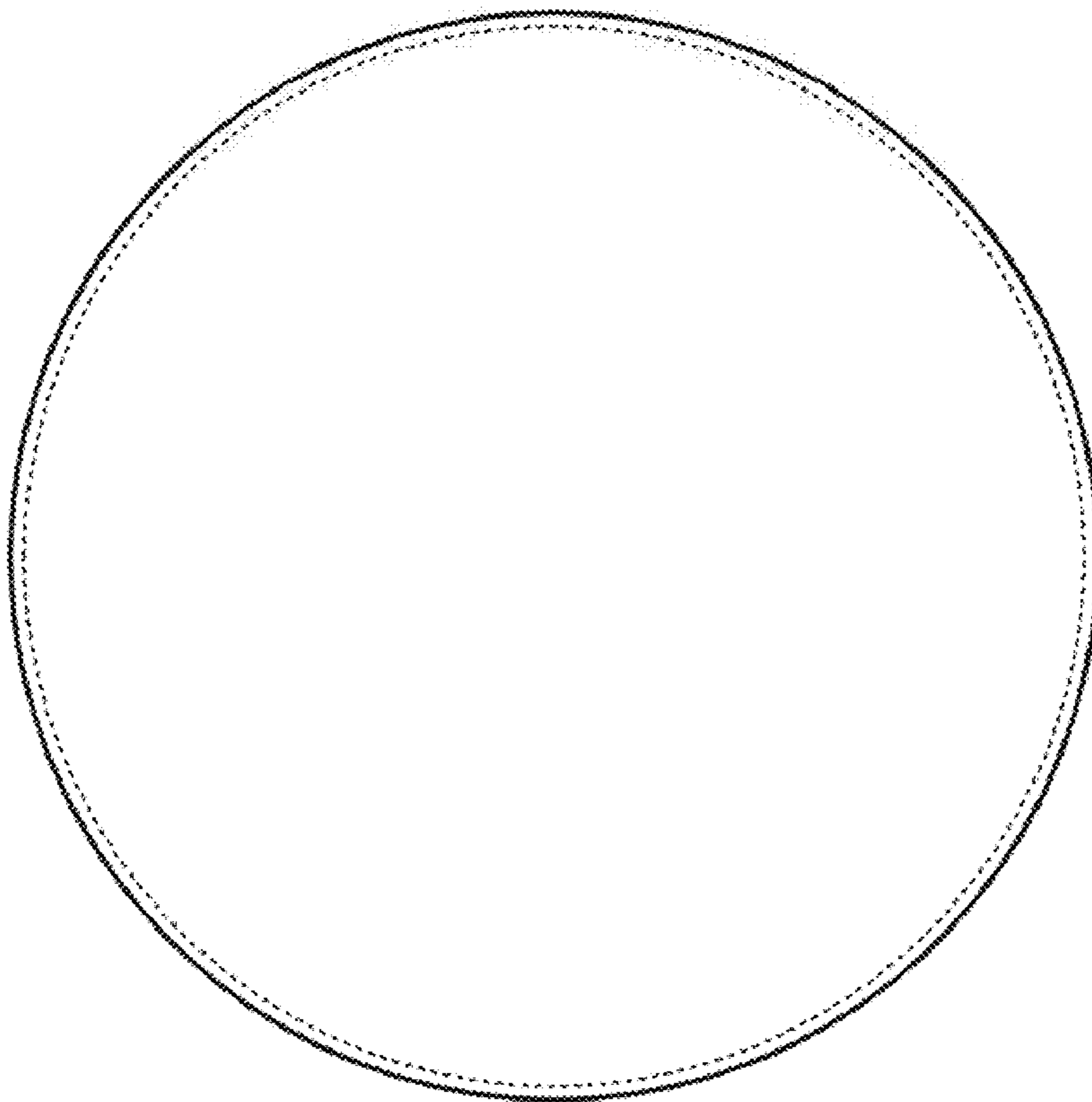


Fig. 2

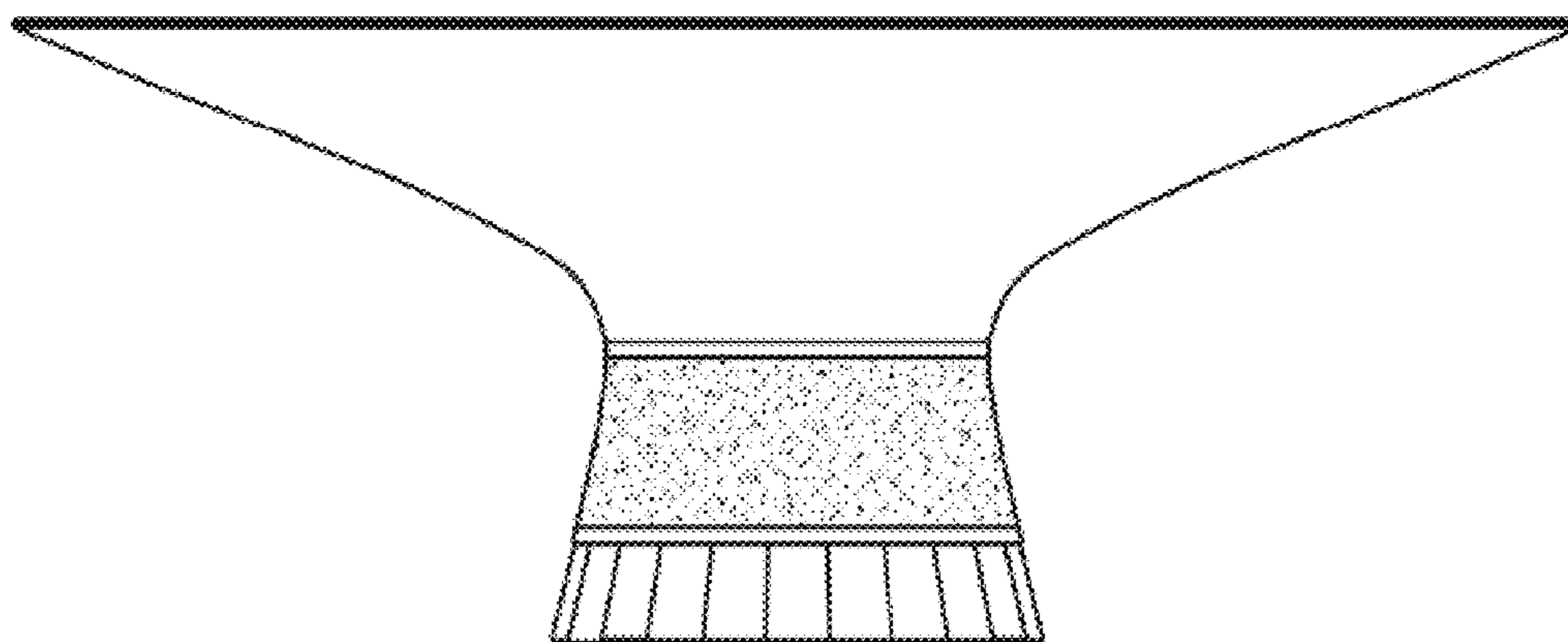


Fig. 3

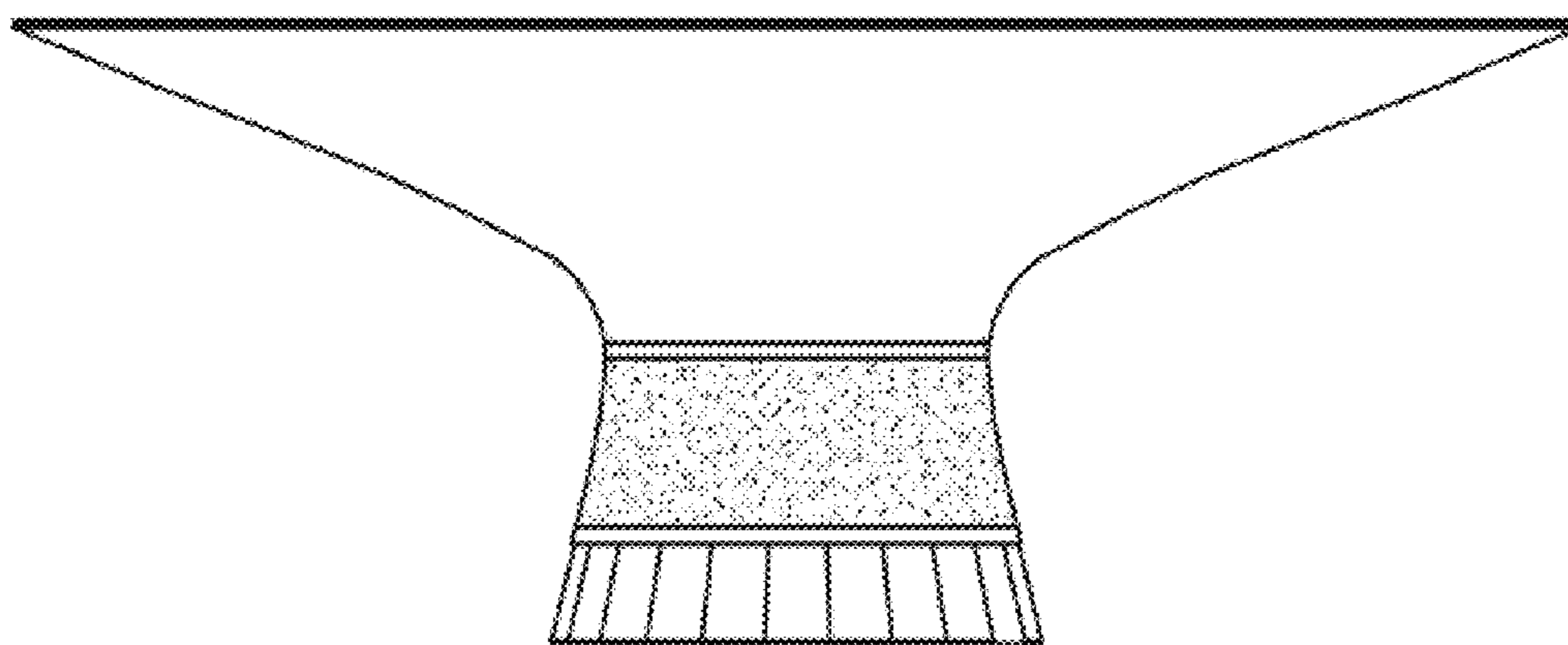


Fig. 4

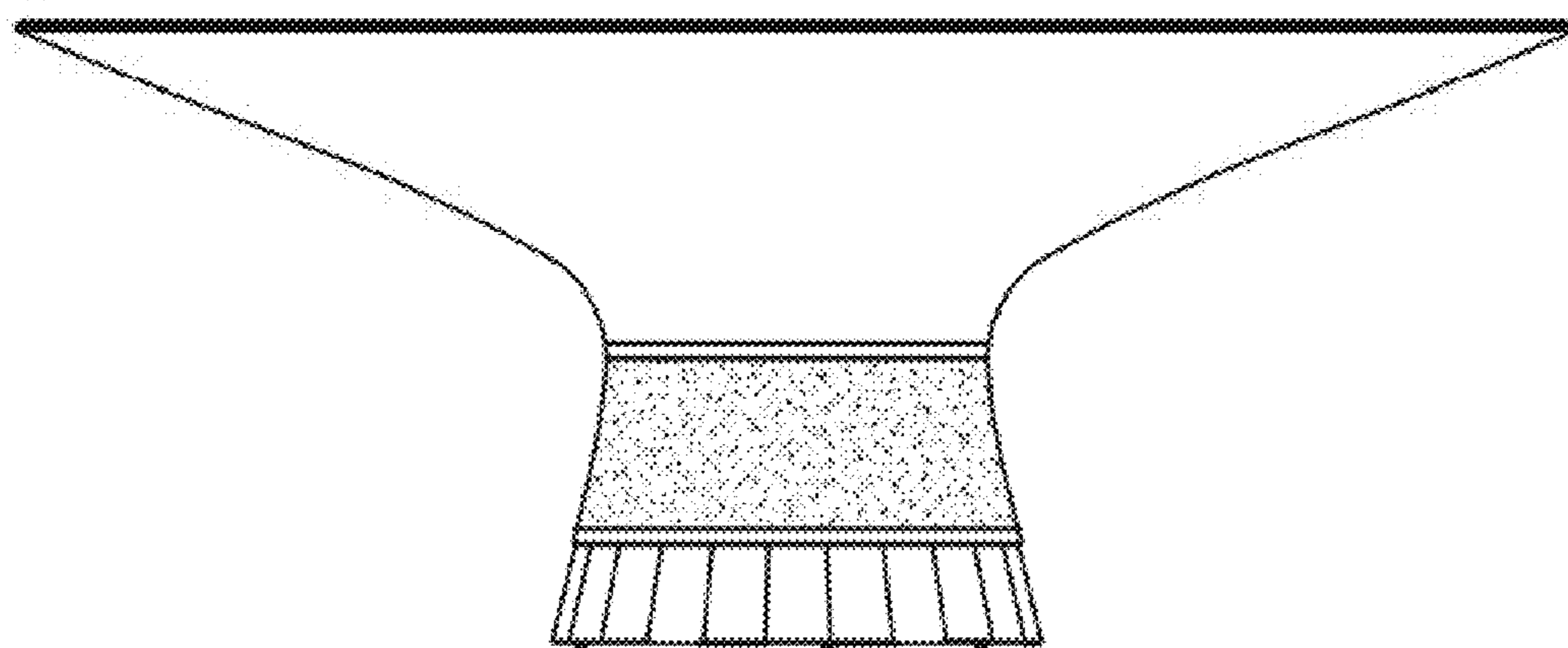


Fig. 5

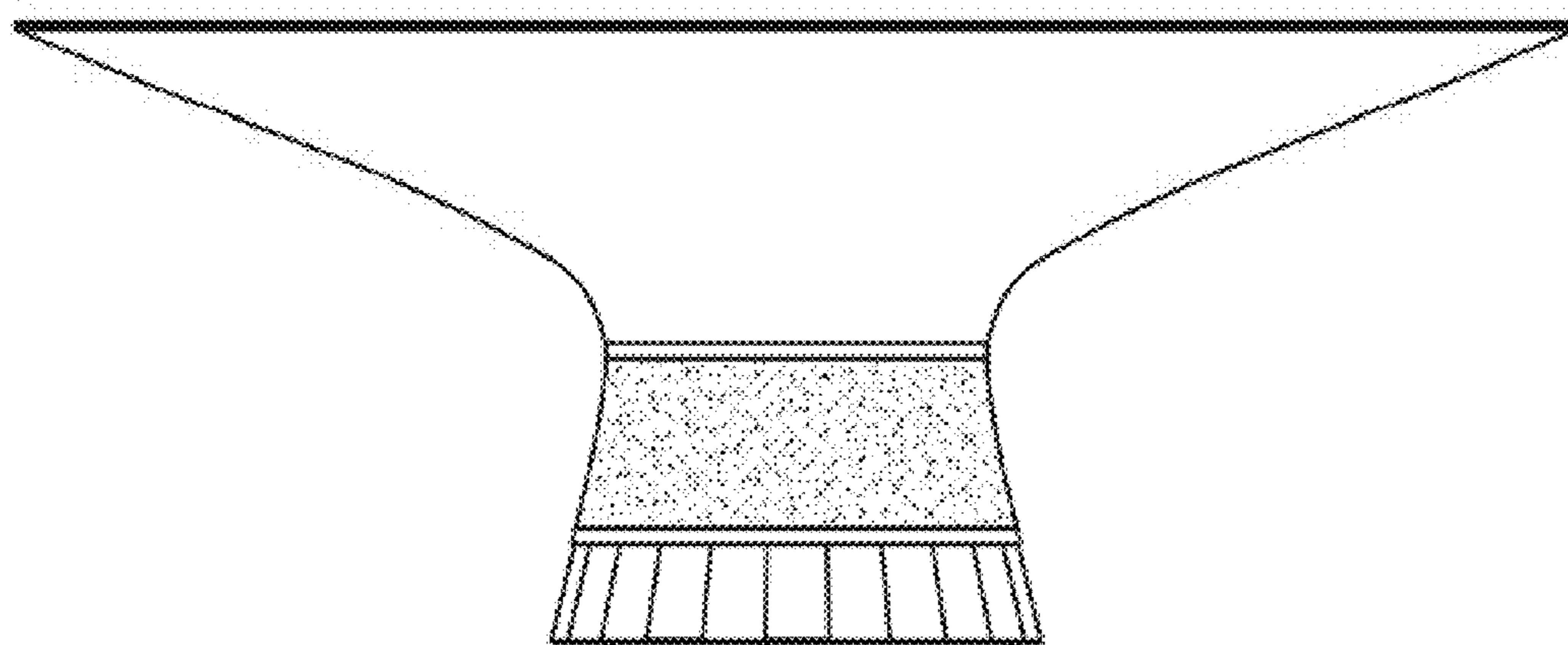


Fig. 6

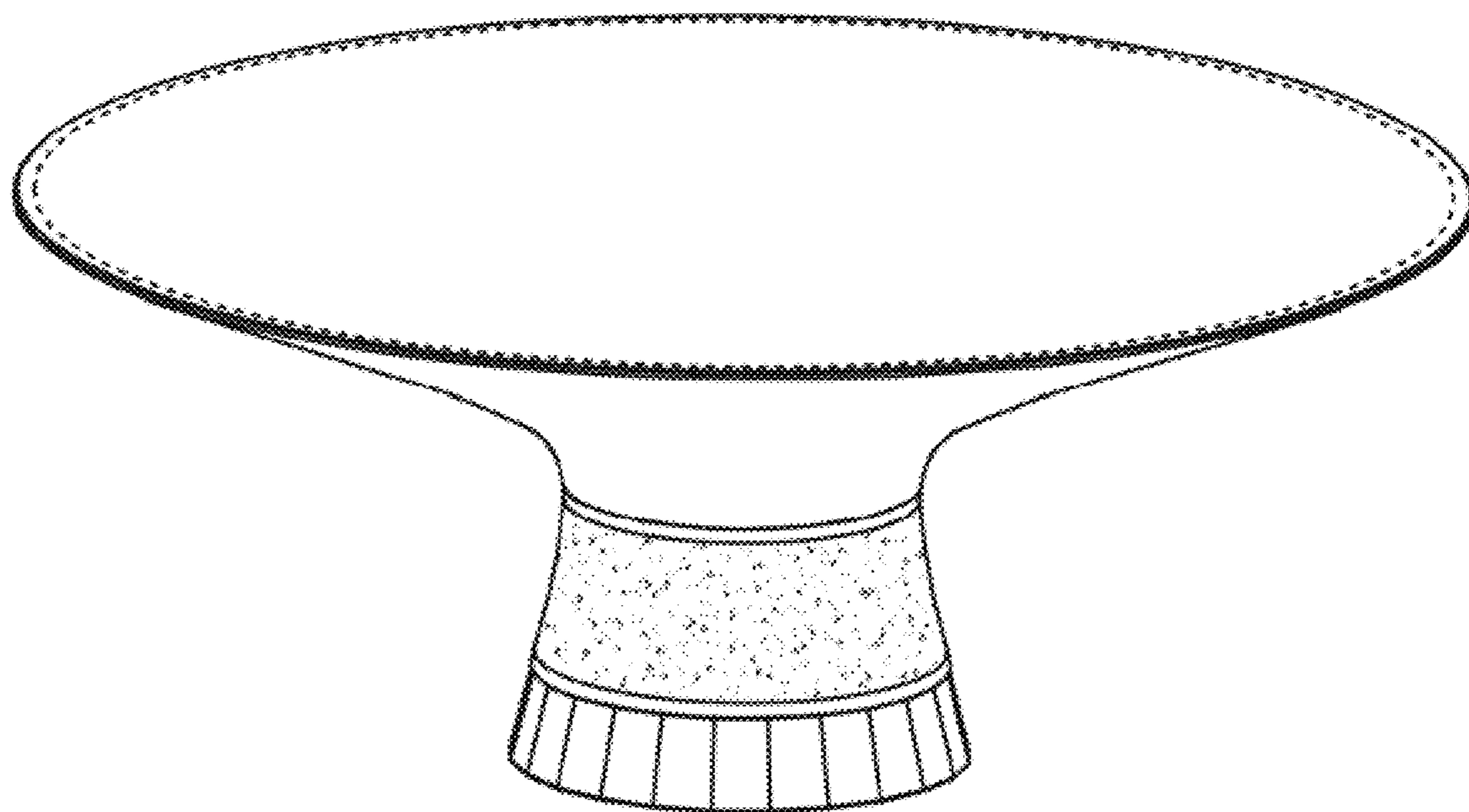


Fig. 7