



US00D613997S

(12) **United States Design Patent**  
**Kingsley**

(10) **Patent No.:** **US D613,997 S**

(45) **Date of Patent:** **\*\* Apr. 20, 2010**

(54) **MUG**

(75) Inventor: **Cary A. Kingsley**, Sylvania, OH (US)

(73) Assignee: **G. G. Marck & Associates, Inc.**,  
Toledo, OH (US)

(\*\*) Term: **14 Years**

(21) Appl. No.: **29/343,465**

(22) Filed: **Sep. 14, 2009**

(51) **LOC (9) Cl.** ..... **07-01**

(52) **U.S. Cl.** ..... **D7/536; D7/529**

(58) **Field of Classification Search** ..... D7/507,  
D7/509, 510, 511, 523, 532, 530, 531, 533,  
D7/536, 535, 529; 220/703, 592.16, 592.17;  
215/383

See application file for complete search history.

(56) **References Cited**

**U.S. PATENT DOCUMENTS**

D144,478 S *	4/1946	Burger	.....	D7/537
D202,207 S *	9/1965	Rafael	.....	D7/523
D299,443 S *	1/1989	Durand	.....	D11/153
D318,980 S *	8/1991	Unger	.....	D7/536
D442,829 S *	5/2001	Trombly	.....	D7/536
D457,389 S *	5/2002	Snell	.....	D7/396.6
D486,696 S *	2/2004	McMullin	.....	D7/533
D488,028 S *	4/2004	Janky et al.	.....	D7/536
D497,005 S *	10/2004	Zimmerlee	.....	D25/1
D499,609 S *	12/2004	Bodum	.....	D7/536
D511,072 S *	11/2005	Trombly	.....	D7/533
D517,370 S *	3/2006	Kingsley	.....	D7/532
D528,365 S *	9/2006	Hsu	.....	D7/529

D531,456 S *	11/2006	Davies et al.	.....	D7/536
D542,599 S *	5/2007	Tien	.....	D7/523
D549,523 S *	8/2007	Montes	.....	D7/536
D552,931 S *	10/2007	Bodum	.....	D7/536
D567,590 S *	4/2008	Bodum	.....	D7/536
D571,150 S *	6/2008	Franco	.....	D7/507
D586,620 S *	2/2009	Sands	.....	D7/507

**OTHER PUBLICATIONS**

Marck & Associates, Inc., Web page showing Item No. 286, which has been sold since 2002, published by Marck & Associates, Inc., Toledo, Ohio.

\* cited by examiner

*Primary Examiner*—Marianne Pandozzi

(74) *Attorney, Agent, or Firm*—MacMillan, Sobanski & Todd, LLC

(57) **CLAIM**

The ornamental design for a mug, as shown and described.

**DESCRIPTION**

FIG. 1 is a front elevational view of a mug according to the present design;

FIG. 2 is a right side elevational view thereof;

FIG. 3 is a left side elevational view thereof;

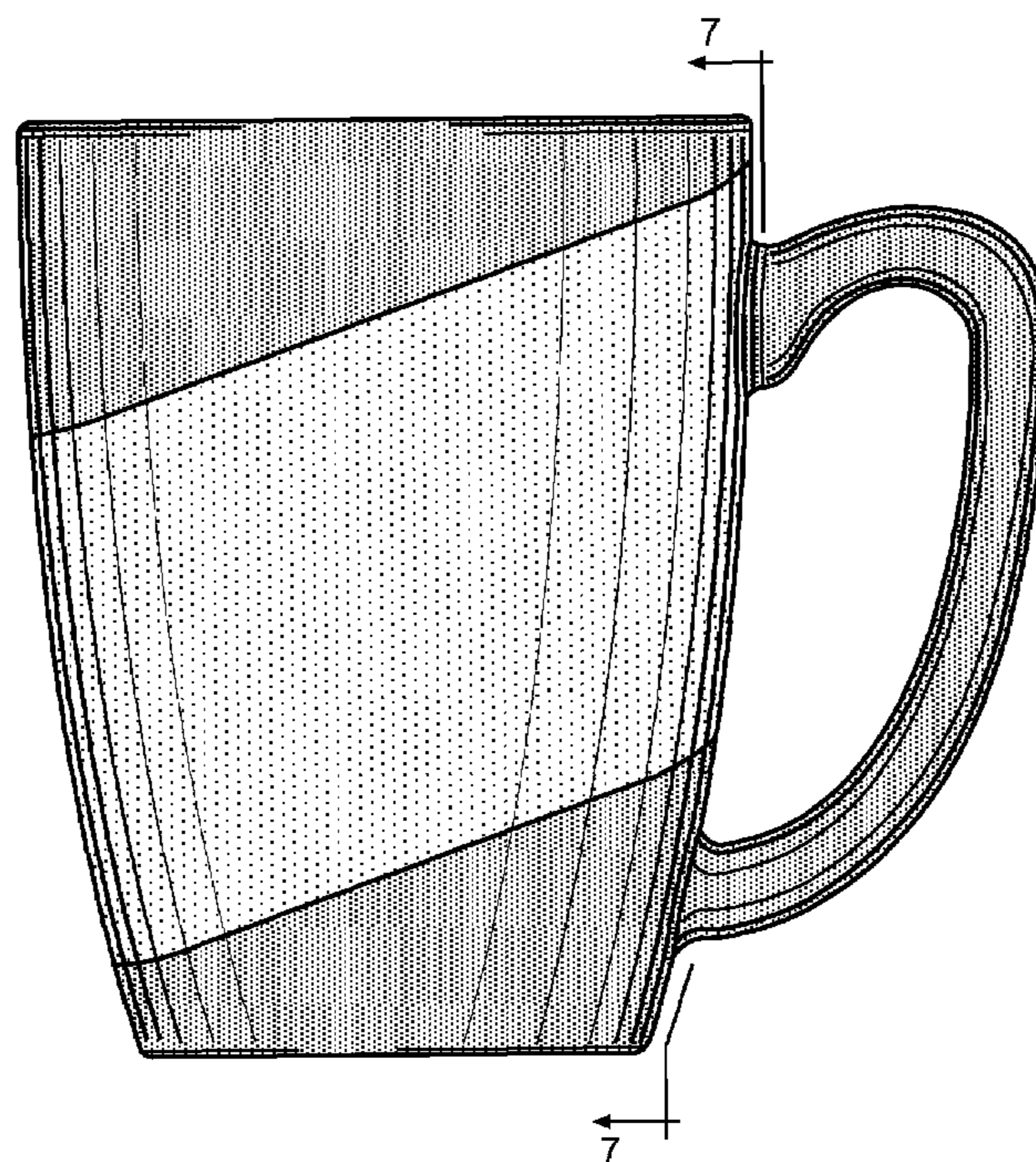
FIG. 4 is a back elevational view thereof;

FIG. 5 is a top plan view thereof;

FIG. 6 is a bottom plan view thereof; and,

FIG. 7 is a cross-sectional view taken along line 7—7 of FIG. 1.

**1 Claim, 7 Drawing Sheets**



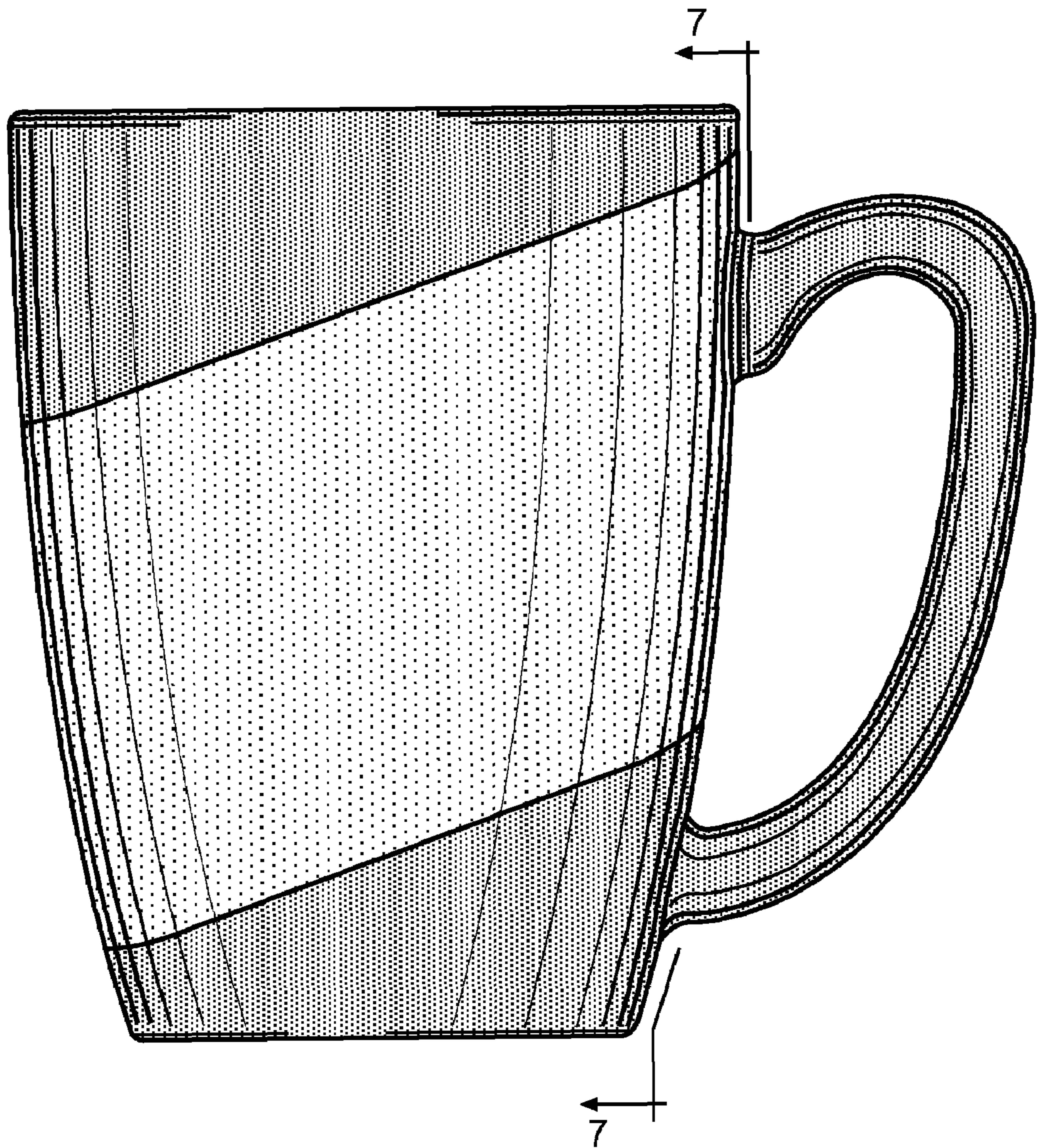
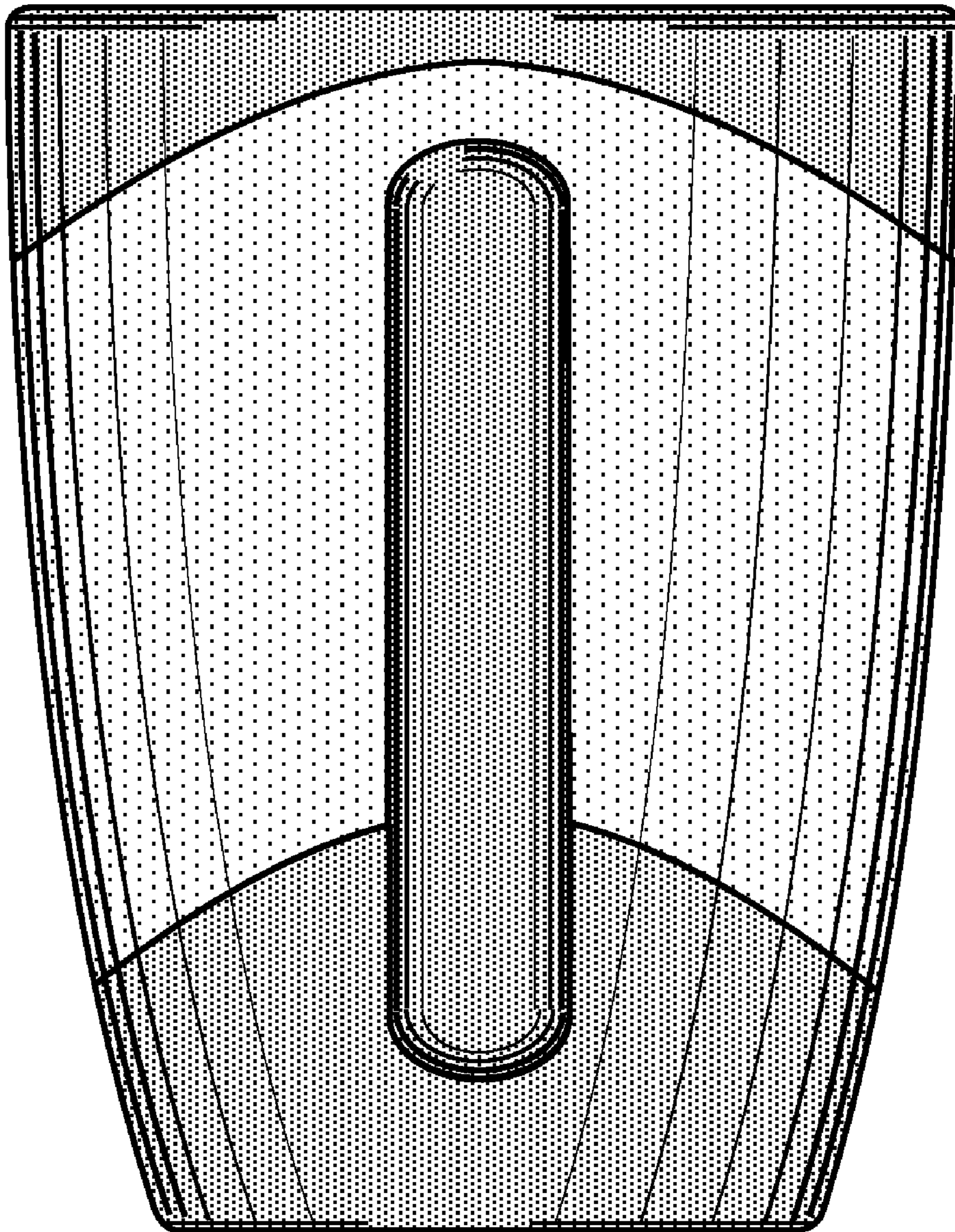
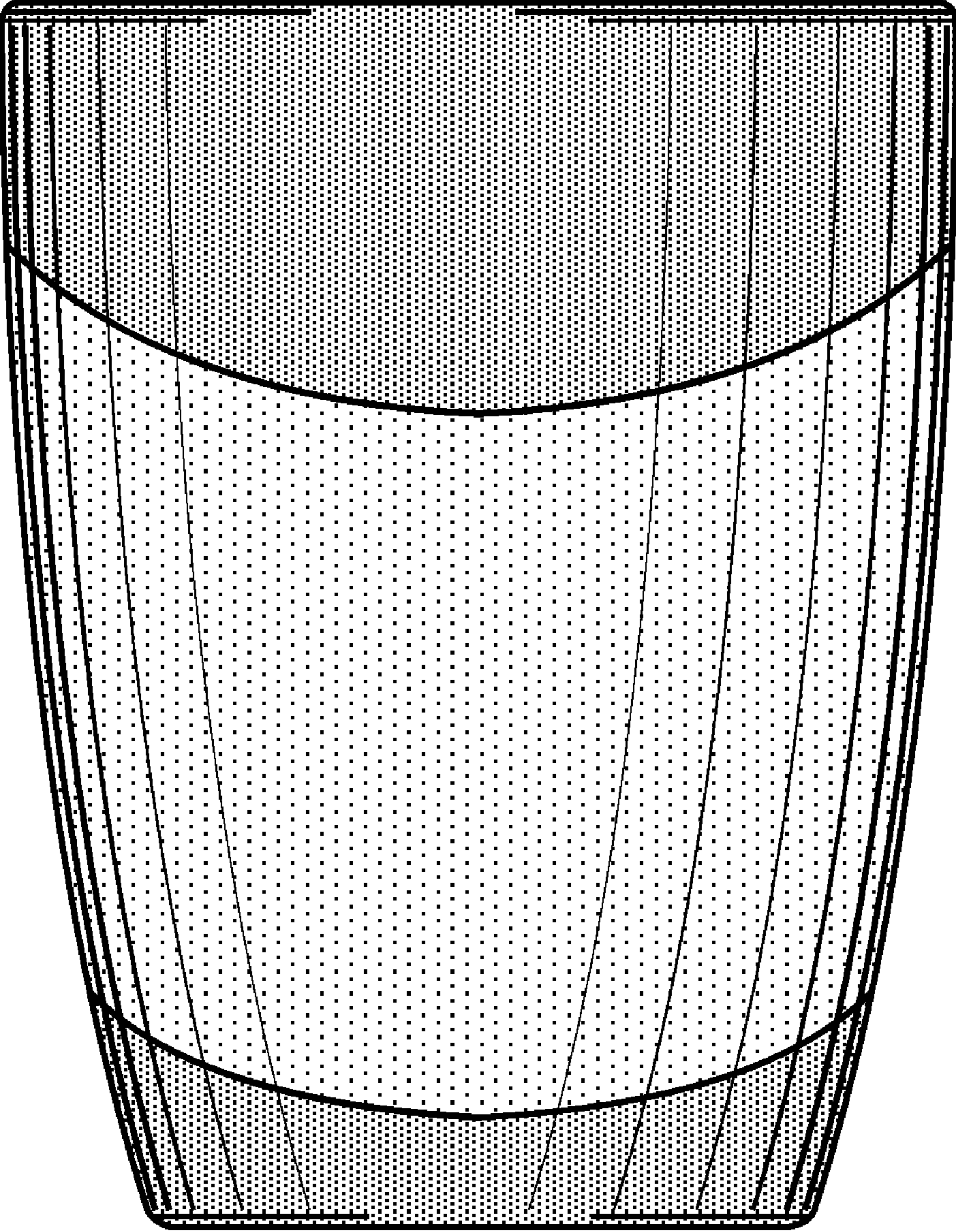


FIG. 1

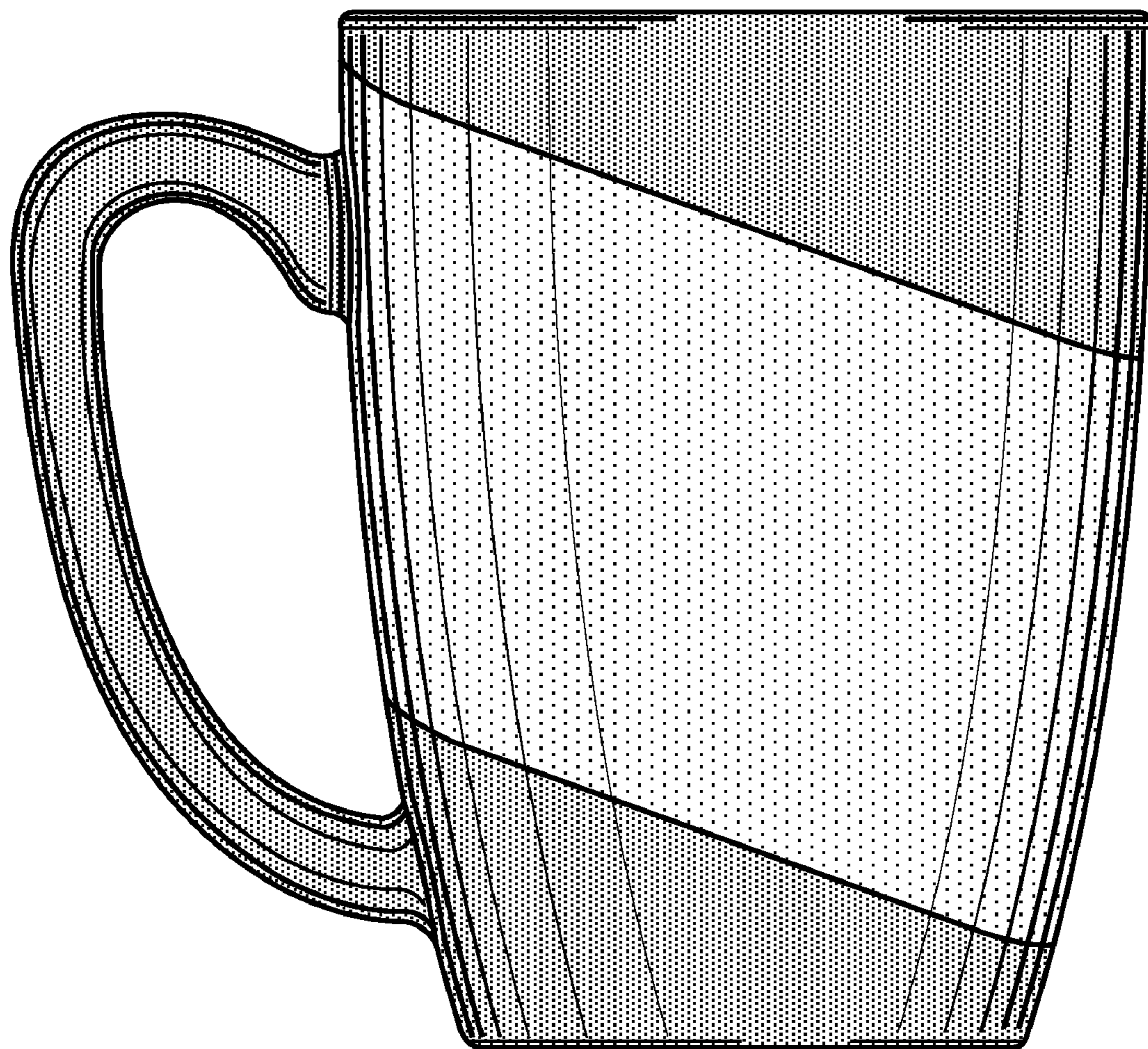


— FIG. 2

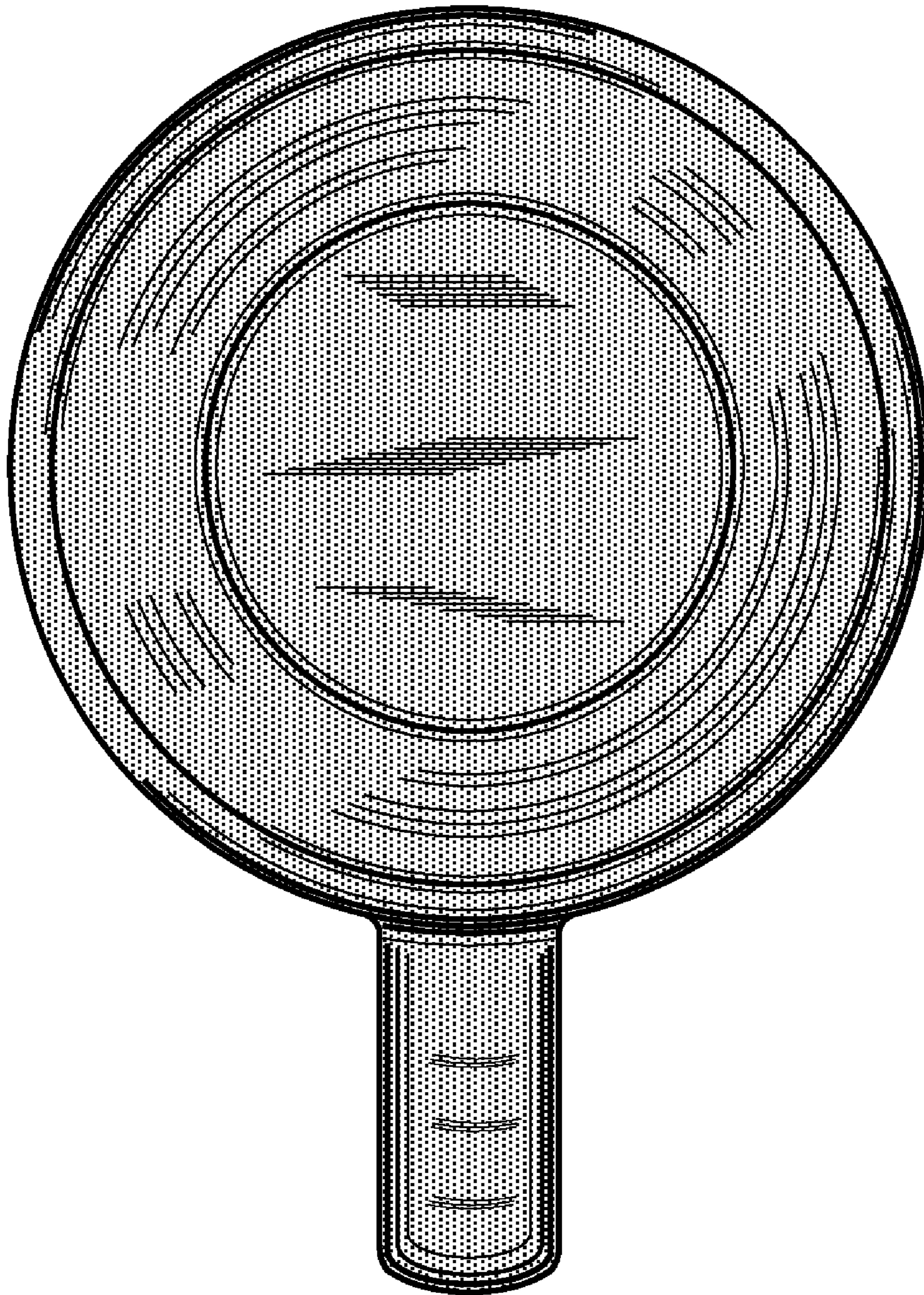




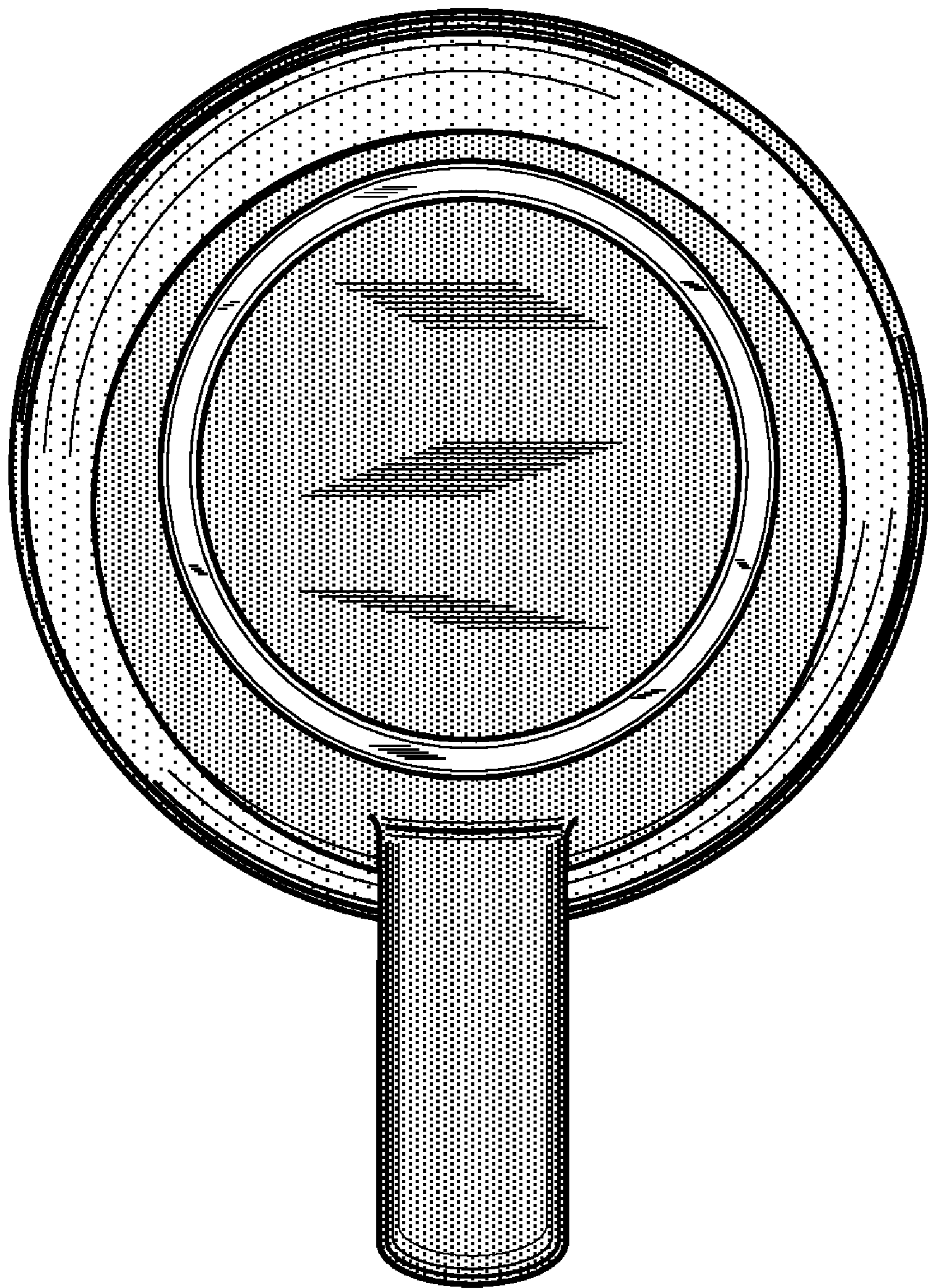
—FIG. 3



—FIG. 4

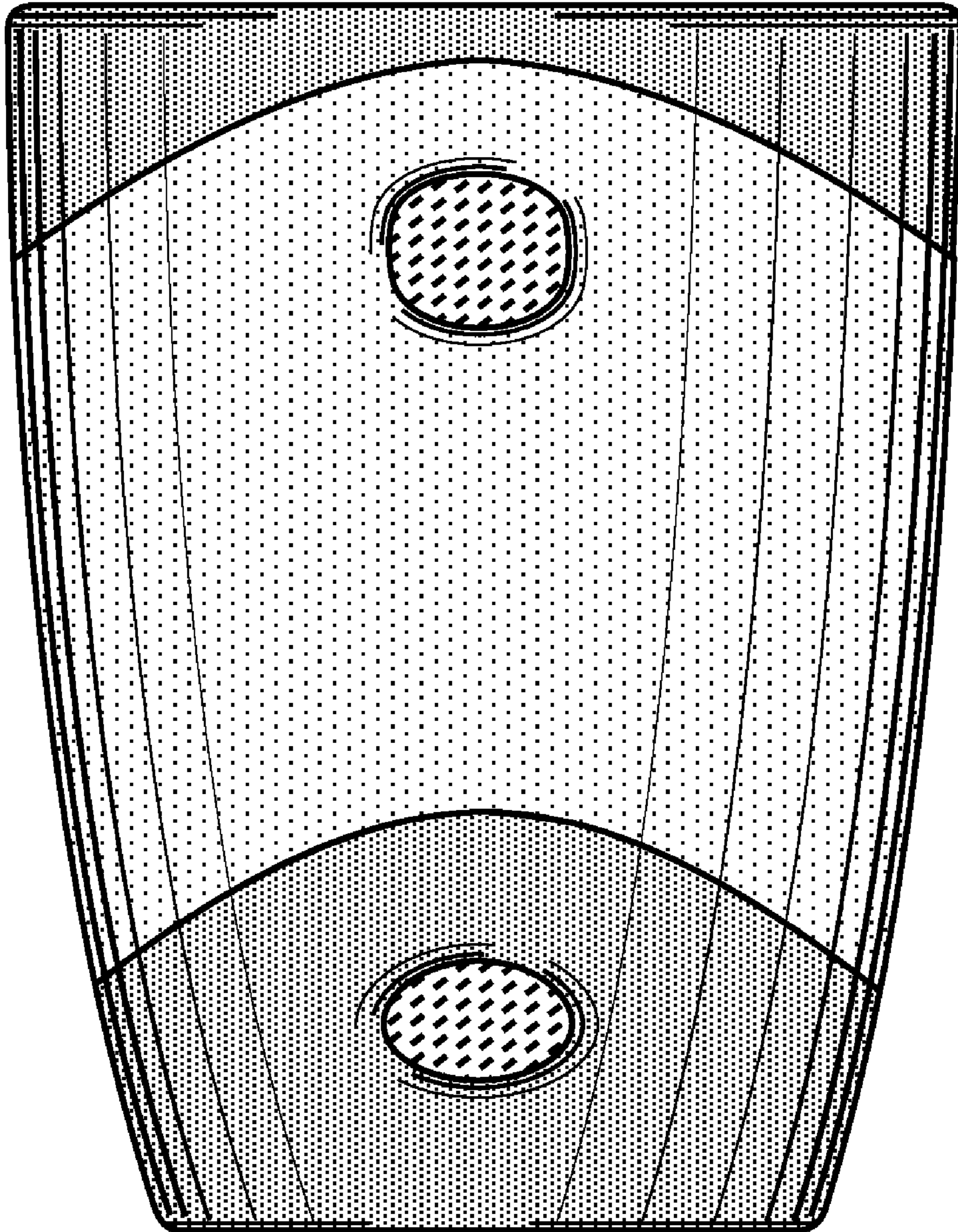


— FIG. 5



—FIG. 6





—FIG. 7