



US00D613995S

(12) **United States Design Patent**
Mishan

(10) **Patent No.:** **US D613,995 S**

(45) **Date of Patent:** **** Apr. 20, 2010**

(54) **LARGE SLIDER GRILL PLATE**

(75) Inventor: **Steven Mishan**, New York, NY (US)

(73) Assignee: **E. Mishan & Sons, Inc.**, New York, NY (US)

(**) Term: **14 Years**

(21) Appl. No.: **29/352,156**

(22) Filed: **Dec. 17, 2009**

(51) **LOC (9) Cl.** **07-02**

(52) **U.S. Cl.** **D7/409**

(58) **Field of Classification Search** D3/203.2,
D3/294, 304, 313-314, 323; D7/354, 357,
D7/360, 402, 404, 407, 409, 505, 540-545,
D7/553.4, 553.5, 554.3, 590, 698, 706; D9/414-418,
D9/424-433, 456, 527-530, 730-734, 751-757;
D12/415; 99/324, 340, 402, 421 A, 421 H,
99/421 HH, 421 R, 422-427, 446-450; 220/4.21-4.24,
220/266, 350, 470-471, 495.01, 557, 574,
220/618; 229/117.14, 117.18, 123.1, 125.35,
229/220

See application file for complete search history.

(56) **References Cited**

U.S. PATENT DOCUMENTS

D55,496 S * 6/1920 White D7/590
D109,658 S * 5/1938 Hamilton D7/357
D122,774 S * 10/1940 Frederick D7/553.4
D271,932 S * 12/1983 Mosley D7/553.5
4,838,444 A * 6/1989 Bitel 220/4.24
D487,673 S * 3/2004 Mishan D7/553.4

D488,965 S * 4/2004 Schuler D7/706
D505,833 S * 6/2005 Ahearn D7/553.4
D558,512 S * 1/2008 Levy et al. D7/357
D575,147 S * 8/2008 Ruybal D9/418
D588,520 S * 3/2009 Stewart D12/415
D589,787 S * 4/2009 Ruybal D9/418
D604,099 S * 11/2009 Mishan D7/409

* cited by examiner

Primary Examiner—Caron Veynar

Assistant Examiner—Ricky Pham

(74) *Attorney, Agent, or Firm*—Notaro & Micholos P.C.

(57) **CLAIM**

The ornamental design for a large slider grill plate, as shown and described.

DESCRIPTION

FIG. 1 is a perspective view of a grill plate showing my design therefor;

FIG. 2 is a bottom perspective view thereof;

FIG. 3 is a top plan view thereof;

FIG. 4 is a bottom plan view thereof;

FIG. 5 is a front elevational view thereof;

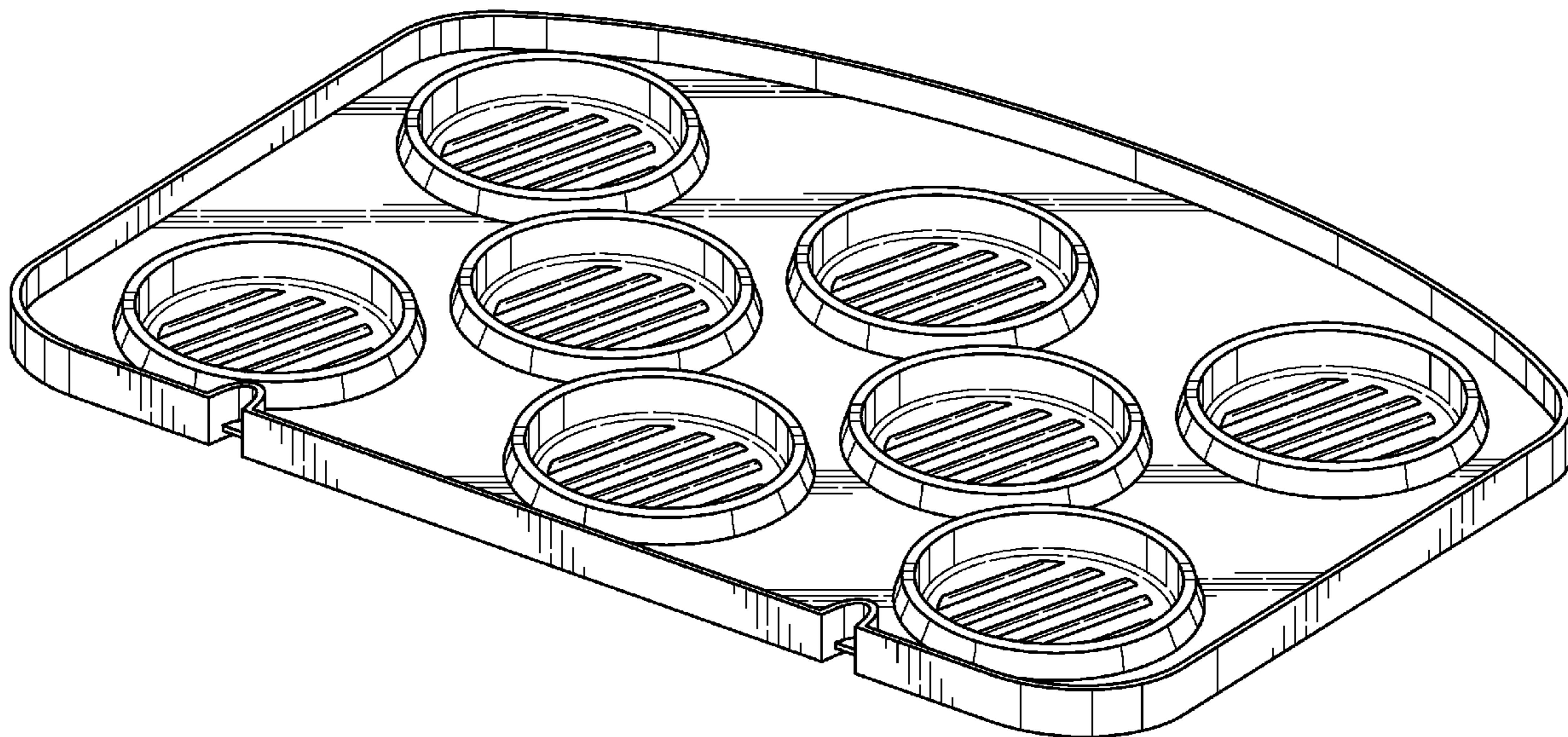
FIG. 6 is a rear elevational view thereof;

FIG. 7 is a right side elevational view thereof; and,

FIG. 8 is a left side elevational view thereof.

The broken lines shown in the drawings are for illustrative purposes only and form no part of the claimed design.

1 Claim, 6 Drawing Sheets



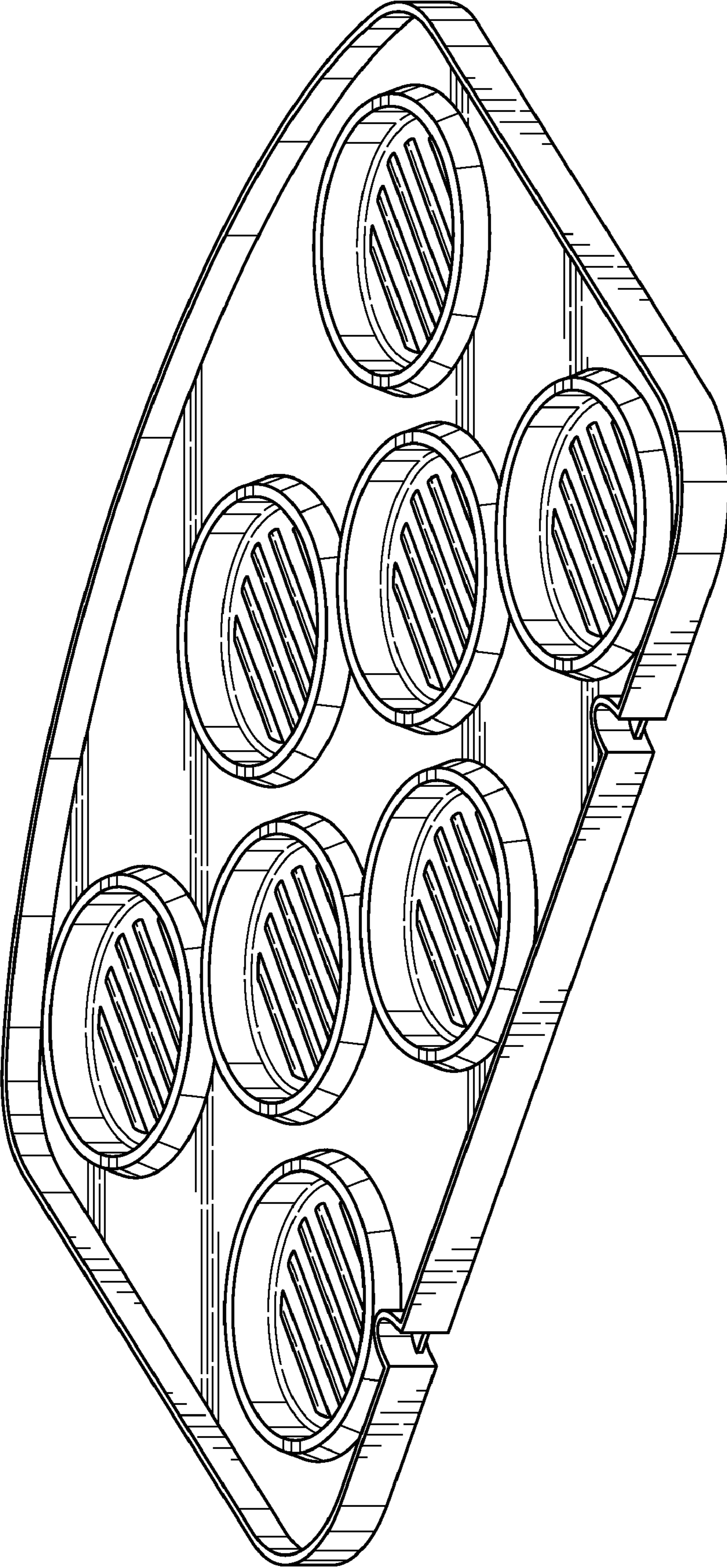


FIG. 1

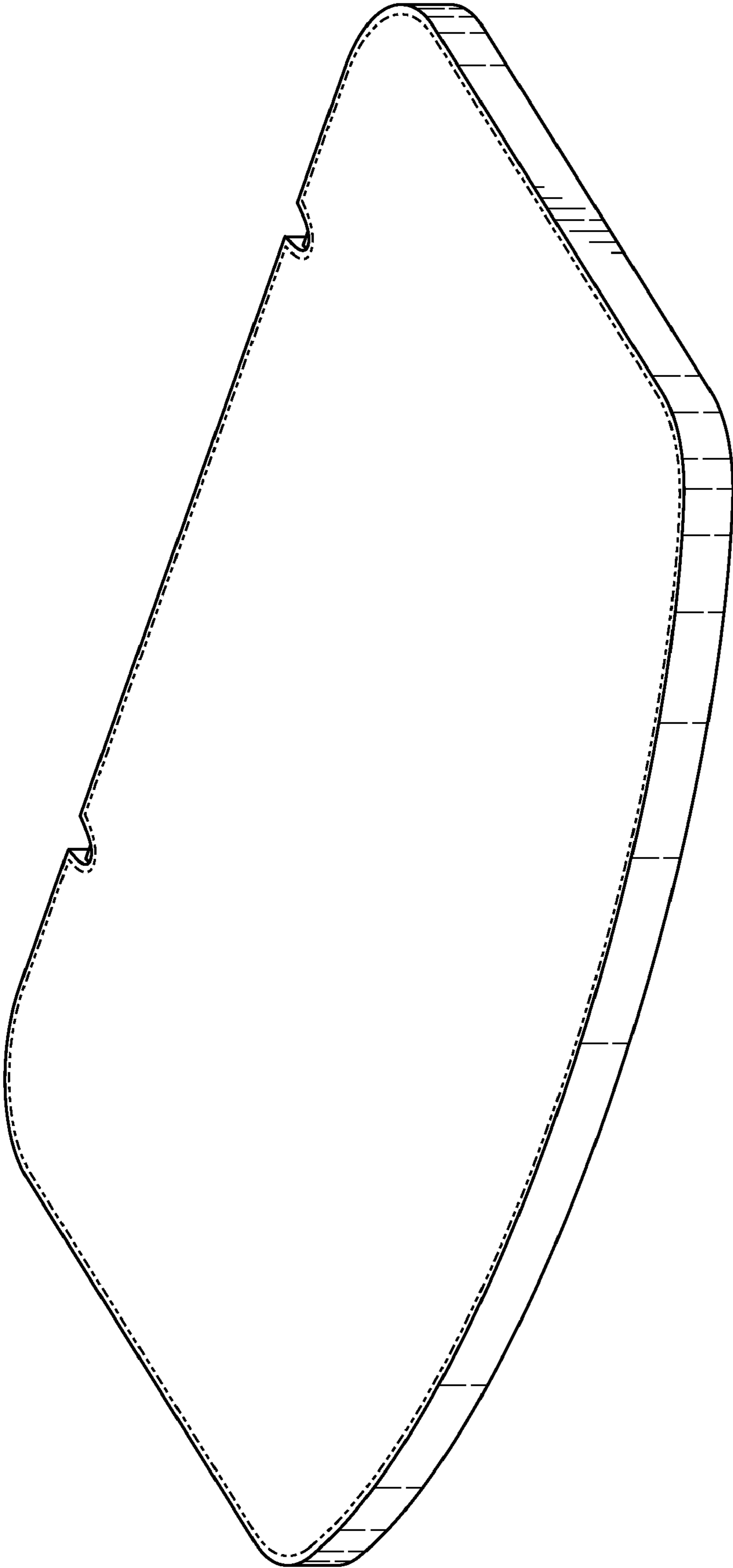


FIG. 2

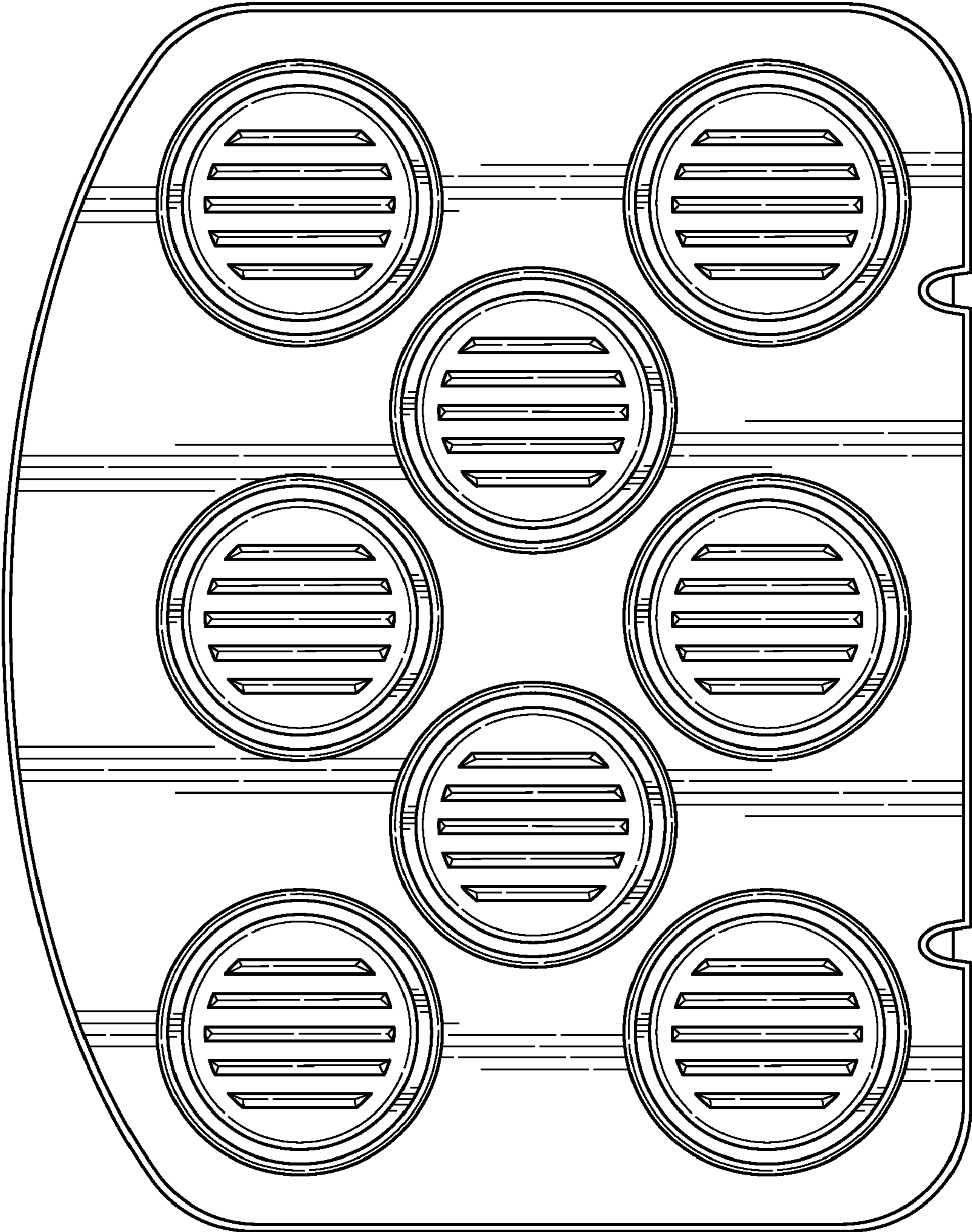


FIG. 3

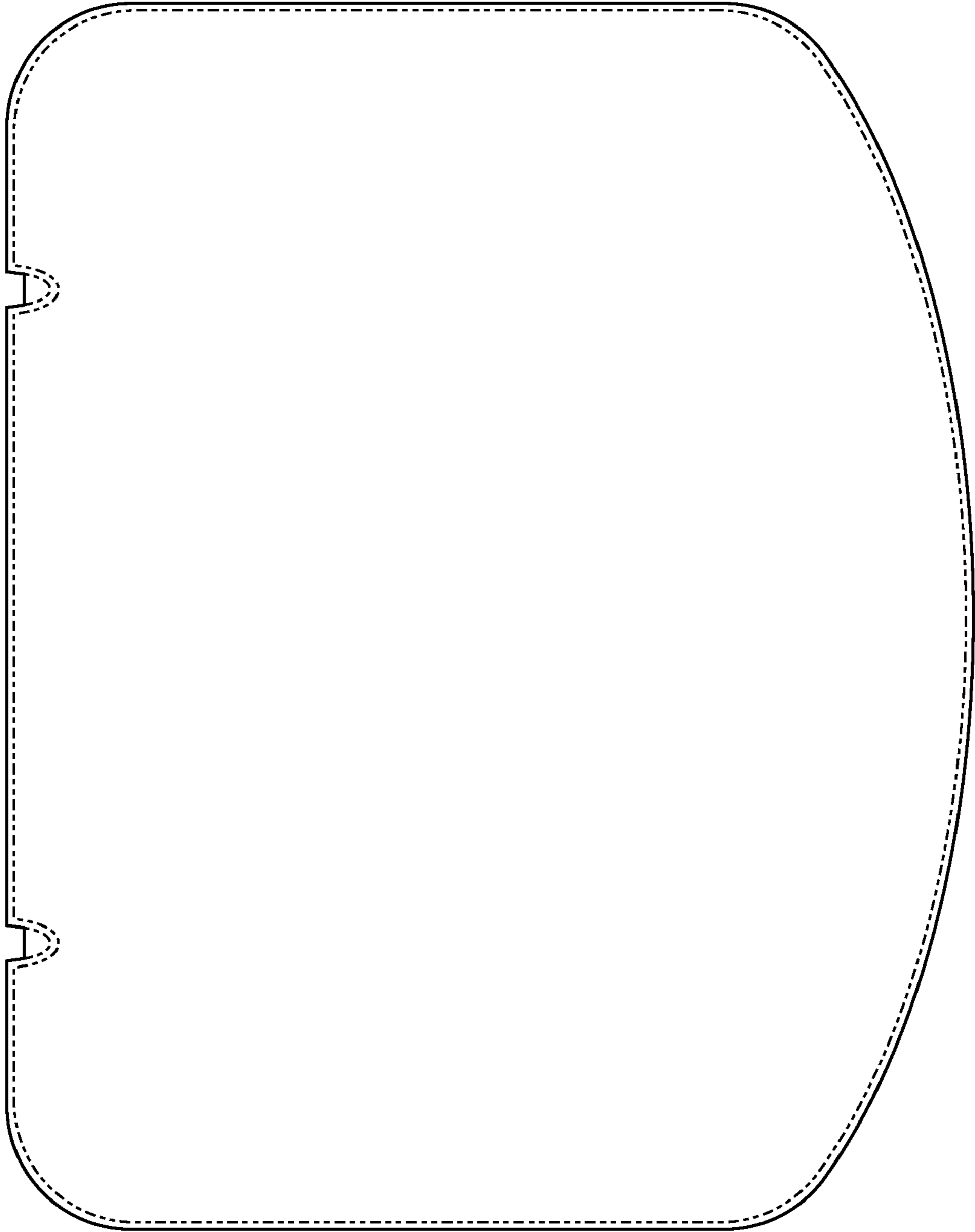


FIG. 4

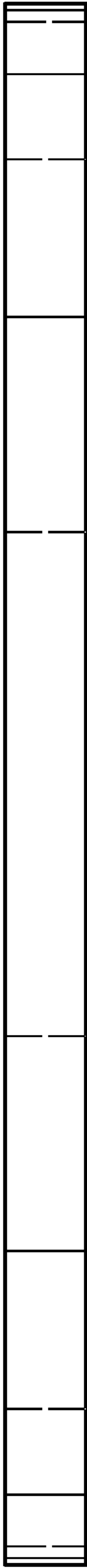


FIG. 5

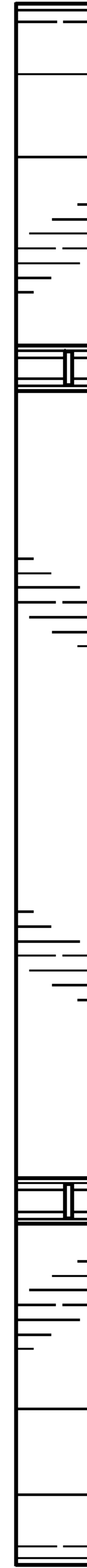


FIG. 6

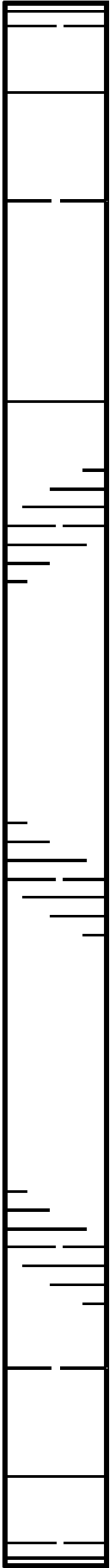


FIG. 7

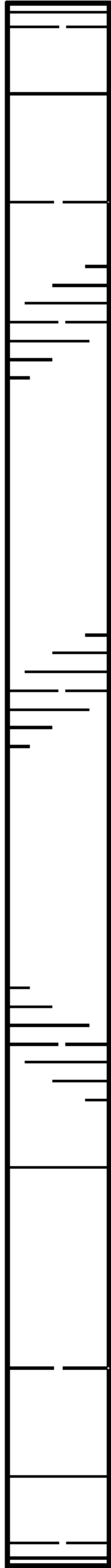


FIG. 8