



US00D613985S

(12) **United States Design Patent**
Schwartz

(10) **Patent No.:** **US D613,985 S**

(45) **Date of Patent:** **** *Apr. 20, 2010**

(54) **FLOOR MAT**

(75) Inventor: **Bill Schwartz**, Powell, OH (US)

(73) Assignee: **Deflecto Corporation**, Indianapolis, IN (US)

(*) Notice: This patent is subject to a terminal disclaimer.

(**) Term: **14 Years**

(21) Appl. No.: **29/303,744**

(22) Filed: **Feb. 15, 2008**

(51) **LOC (9) Cl.** **06-11**

(52) **U.S. Cl.** **D6/588**

(58) **Field of Classification Search** D6/580, D6/581, 582, 583, 584, 585, 586, 587, 588, D6/589, 590, 591, 592, 593, 594, 595, 604; D5/59; D12/203; D29/109; 428/159, 407, 428/423.9, 903.3; 5/216, 217; D21/307, D21/792; D20/10; 427/222, 407.1, 444

See application file for complete search history.

(56) **References Cited**

U.S. PATENT DOCUMENTS

D51,601 S *	12/1917	McCabe	D6/582
D54,460 S *	2/1920	Sauer	D6/582
D57,500 S *	4/1921	Cartwright	D6/582
D57,501 S *	4/1921	Cartwright	D6/582
D61,821 S *	1/1923	Cartwright	D6/582

D63,936 S *	2/1924	Farrell	D6/582
D77,758 S *	2/1929	Fauser	D6/582
D493,322 S *	7/2004	Juliano	D6/582
D522,299 S *	6/2006	Robbins, III	D6/582

* cited by examiner

Primary Examiner—Susan Bennett Hattan

Assistant Examiner—Barbara B Lohr

(74) *Attorney, Agent, or Firm*—Sonnenschein Nath & Rosenthal LLP; Brian R. McGinley

(57) **CLAIM**

The ornamental design for a floor mat, as shown and described.

DESCRIPTION

FIG. 1 is a perspective view of a floor mat illustrating the new design;

FIG. 2 is a top plan view of the floor mat illustrated in FIG. 1;

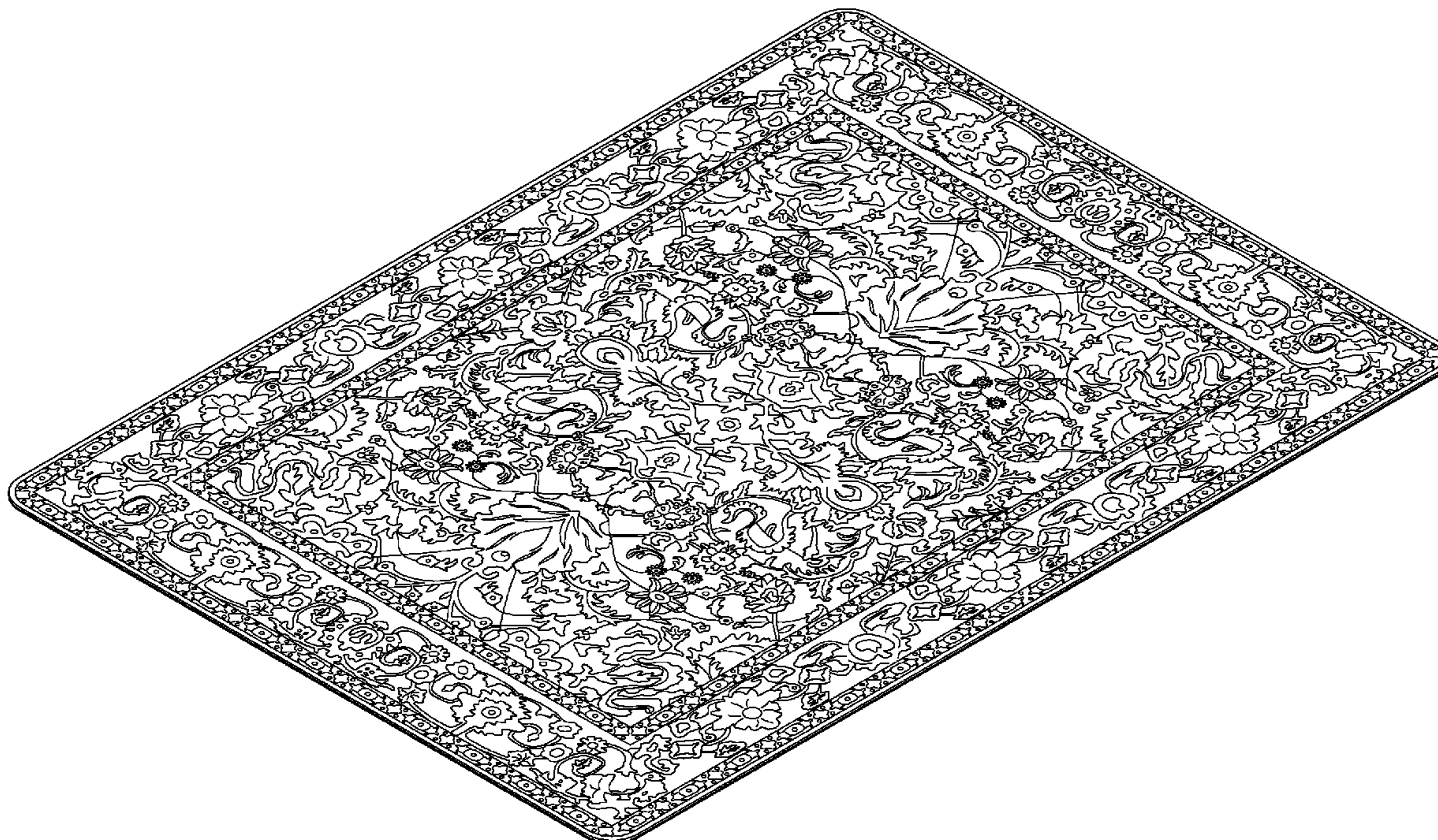
FIG. 3 is a left side elevation view of the floor mat illustrated in FIG. 1 (the right side elevation view of the floor mat is a mirror image of the view illustrated in FIG. 3);

FIG. 4 is a front elevation view of the floor mat illustrated in FIG. 1 (the rear elevation view of the floor mat is a mirror image of the view illustrated in FIG. 4);

FIG. 5 is a bottom plan view of the floor mat illustrated in FIG. 1; and,

FIG. 6 is an enlarged fragmentary view of the floor mat illustrated in FIG. 4.

1 Claim, 4 Drawing Sheets



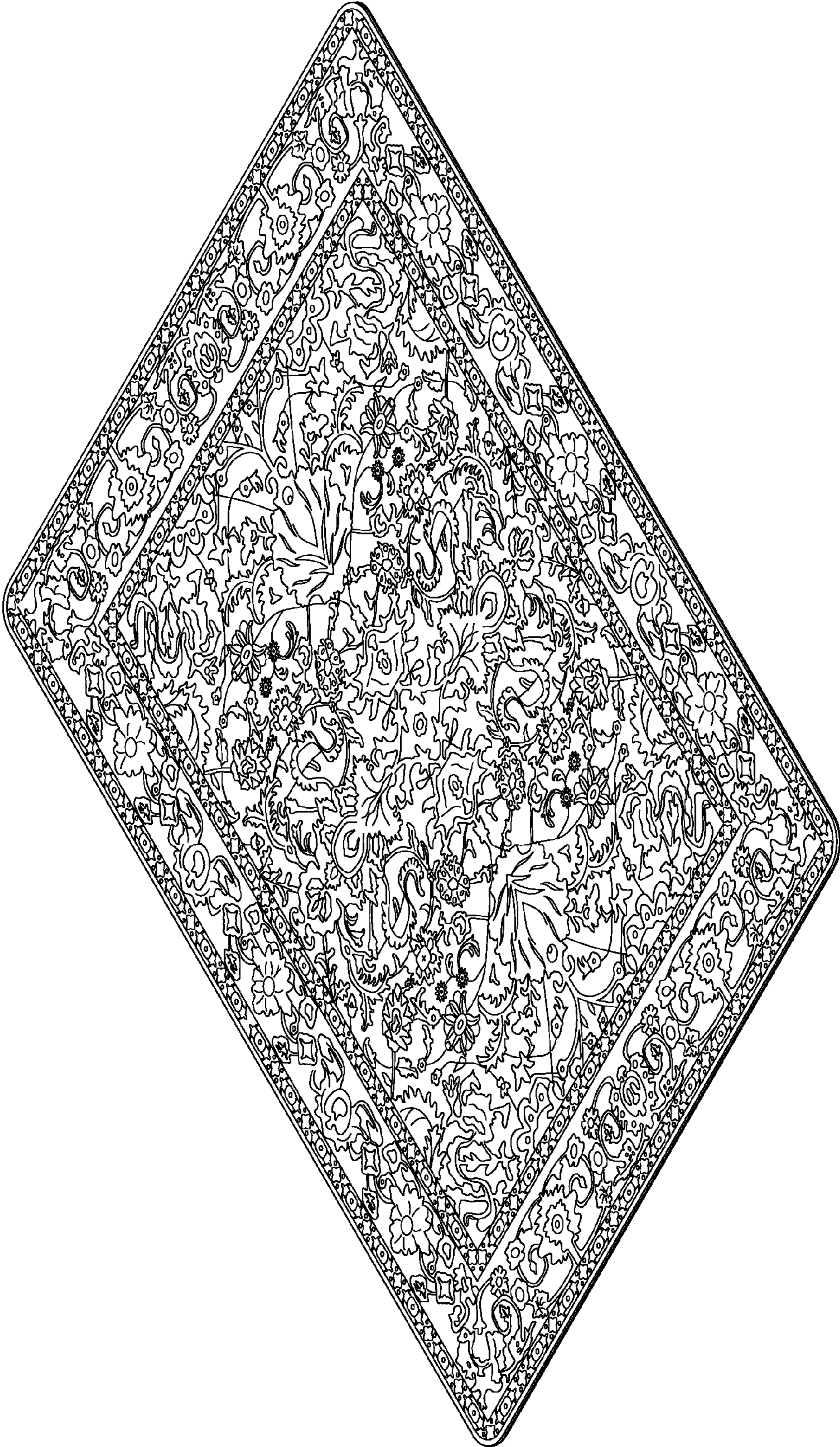


FIG. 1

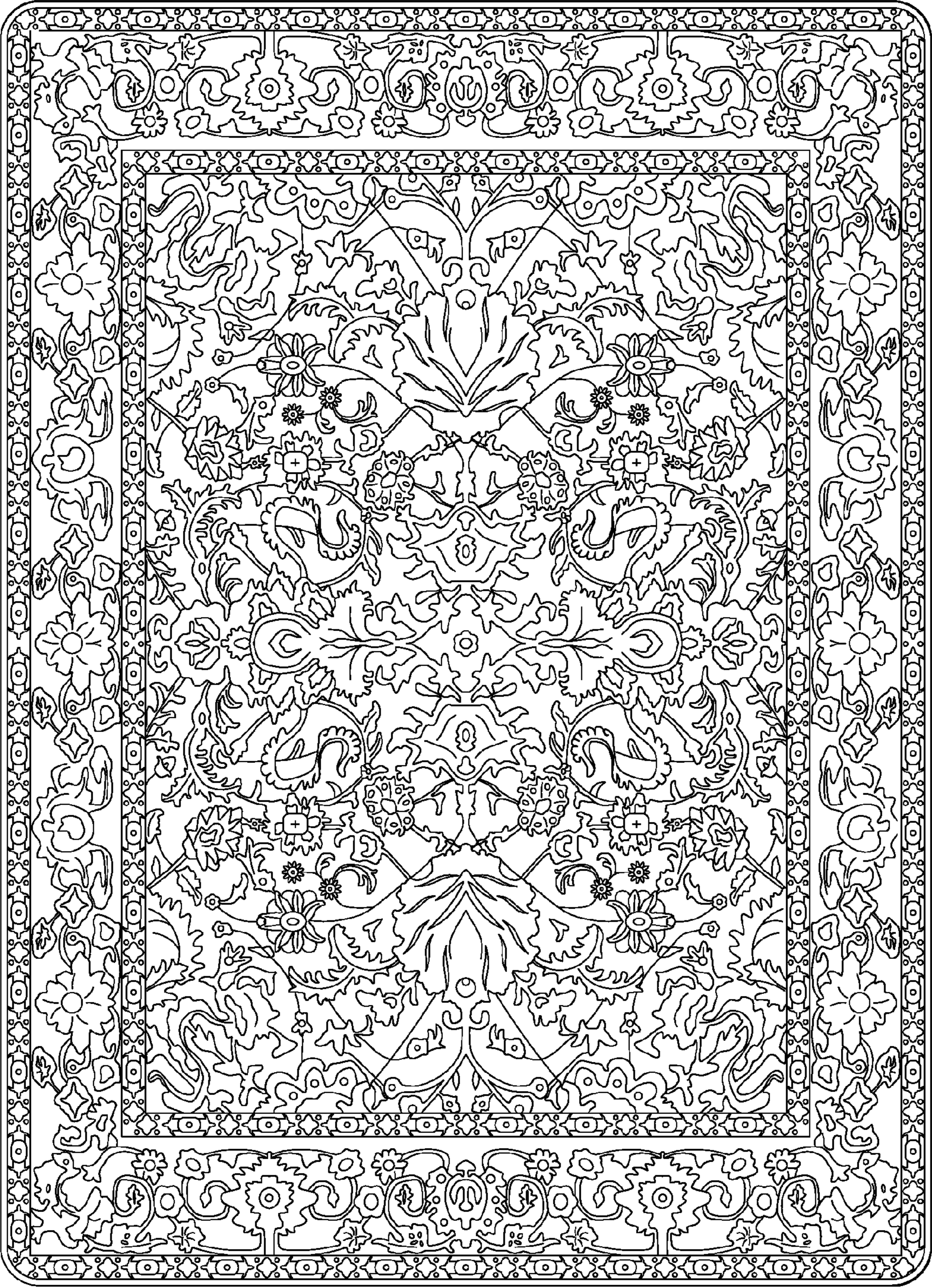


FIG. 2



FIG. 3



FIG. 4

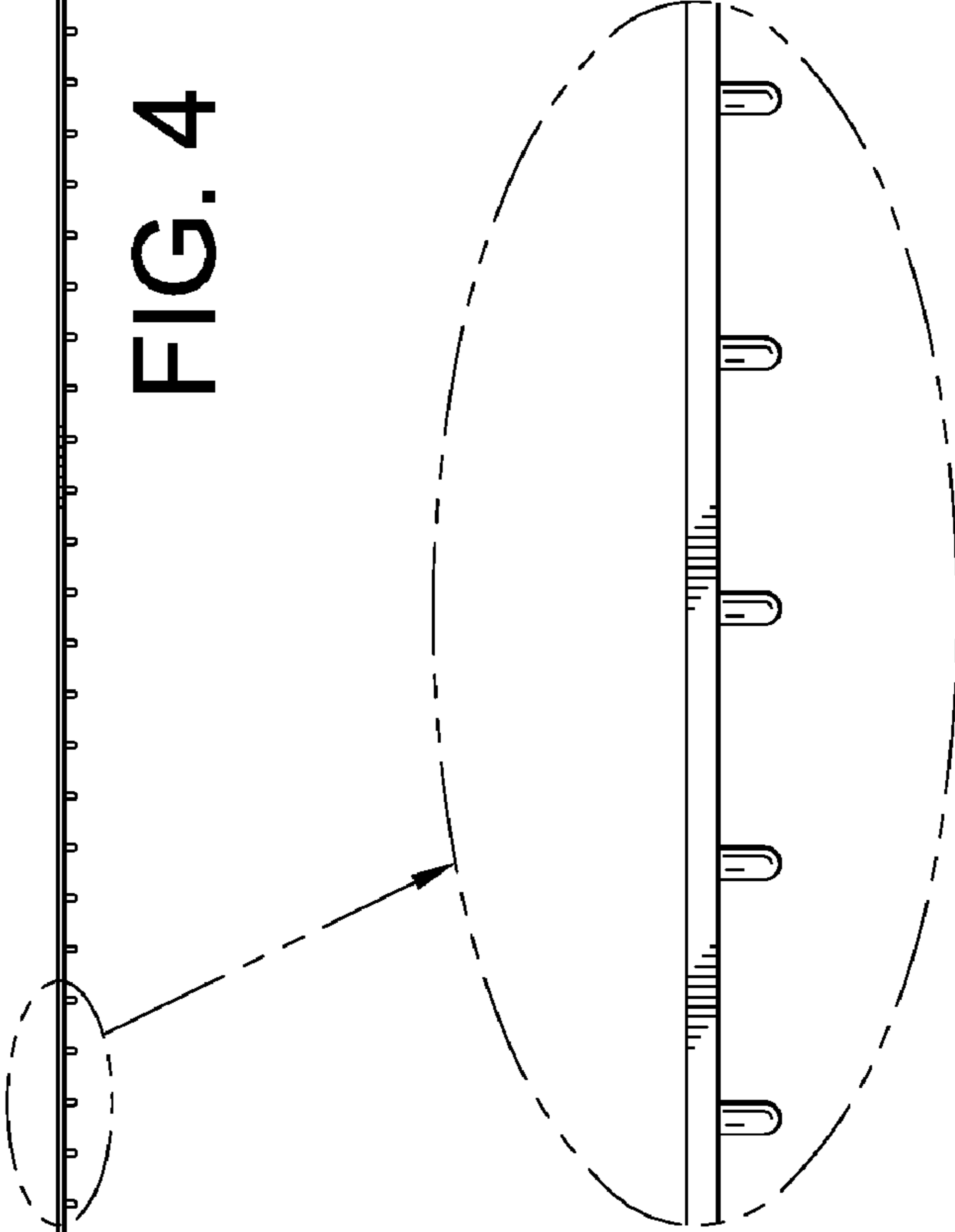


FIG. 6

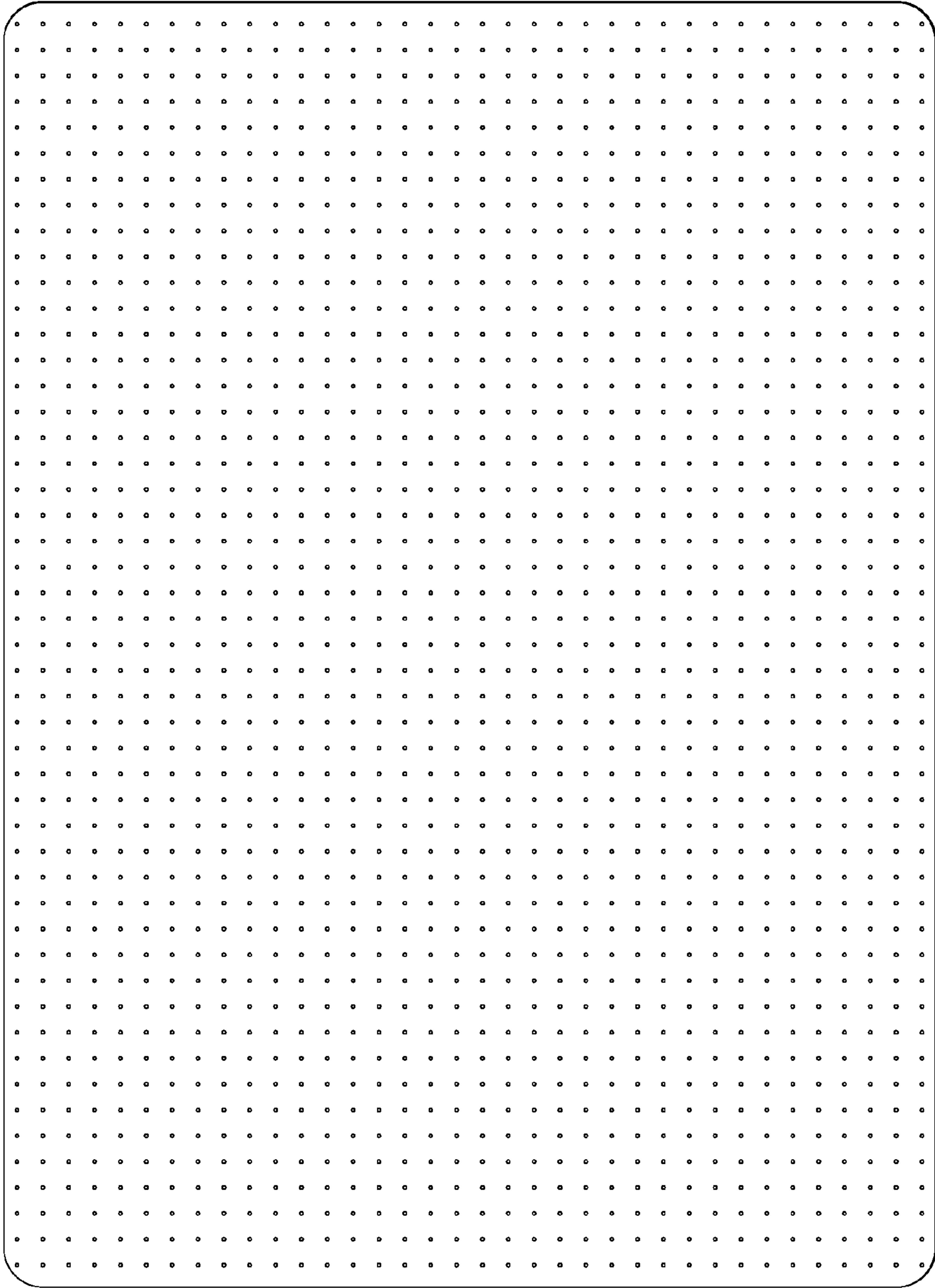


FIG. 5