



US00D613984S

(12) **United States Design Patent**
Zummo

(10) **Patent No.:** **US D613,984 S**

(45) **Date of Patent:** **** Apr. 20, 2010**

(54) **PLUMBER'S FLOOR MAT**

(76) Inventor: **Enrico Zummo**, 10245 E. Cochise Dr.,
Scottsdale, AZ (US) 85258

(**) Term: **14 Years**

(21) Appl. No.: **29/339,751**

(22) Filed: **Jul. 7, 2009**

(51) **LOC (9) Cl.** **06-11**

(52) **U.S. Cl.** **D6/584; D6/587**

(58) **Field of Classification Search** D6/582,
D6/583, 584, 585, 586, 587, 592; D12/203,
D12/217, 221; D21/686; 4/583; 128/845,
128/846, 882; 482/52; 493/451; 602/191;
156/245; 432/140; 340/561; D25/119; 5/417,
5/602, 621, 624, 630-634, 652

See application file for complete search history.

(56) **References Cited**

U.S. PATENT DOCUMENTS

3,341,866	A *	9/1967	Wright	4/583
D343,821	S *	2/1994	Bush et al.	D12/217
5,591,105	A *	1/1997	Dalebout et al.	482/52
5,887,589	A *	3/1999	Hogan	128/845
6,048,298	A *	4/2000	Paul et al.	493/451
D430,627	S *	9/2000	Bergman	D21/686
6,117,095	A *	9/2000	Daggett et al.	602/19
D439,462	S *	3/2001	Callas	D6/587
6,296,733	B1 *	10/2001	Hudkins et al.	156/245
6,623,270	B1 *	9/2003	Meldeau	432/140
6,696,948	B2 *	2/2004	Thompson et al.	340/561
D516,977	S *	3/2006	Keilhauer et al.	D12/203

* cited by examiner

Primary Examiner—Robert M Spear
Assistant Examiner—Barbara B Lohr

(74) *Attorney, Agent, or Firm*—Parsons & Goltry; Robert A. Parsons; Michael W. Goltry

(57) **CLAIM**

The ornamental design for a plumber's floor mat, as shown and described.

DESCRIPTION

FIG. 1 is a top perspective view of a plumber's floor mat showing my new design as it would appear in a closed orientation;

FIG. 2 is a top plan view of a plumber's floor mat of FIG. 1; FIG. 3 is a front elevational view of the plumber's floor mat of FIG. 1;

FIG. 4 is a right side elevational view of the plumber's floor mat of FIG. 1;

FIG. 5 is a rear elevational view of the plumber's floor mat of FIG. 1;

FIG. 6 is a left side elevational view of the plumber's floor mat of FIG. 1;

FIG. 7 is a bottom plan view of the plumber's floor mat of FIG. 1.

FIG. 8 is a top perspective view of the plumber's floor mat showing my new design in use in an open orientation;

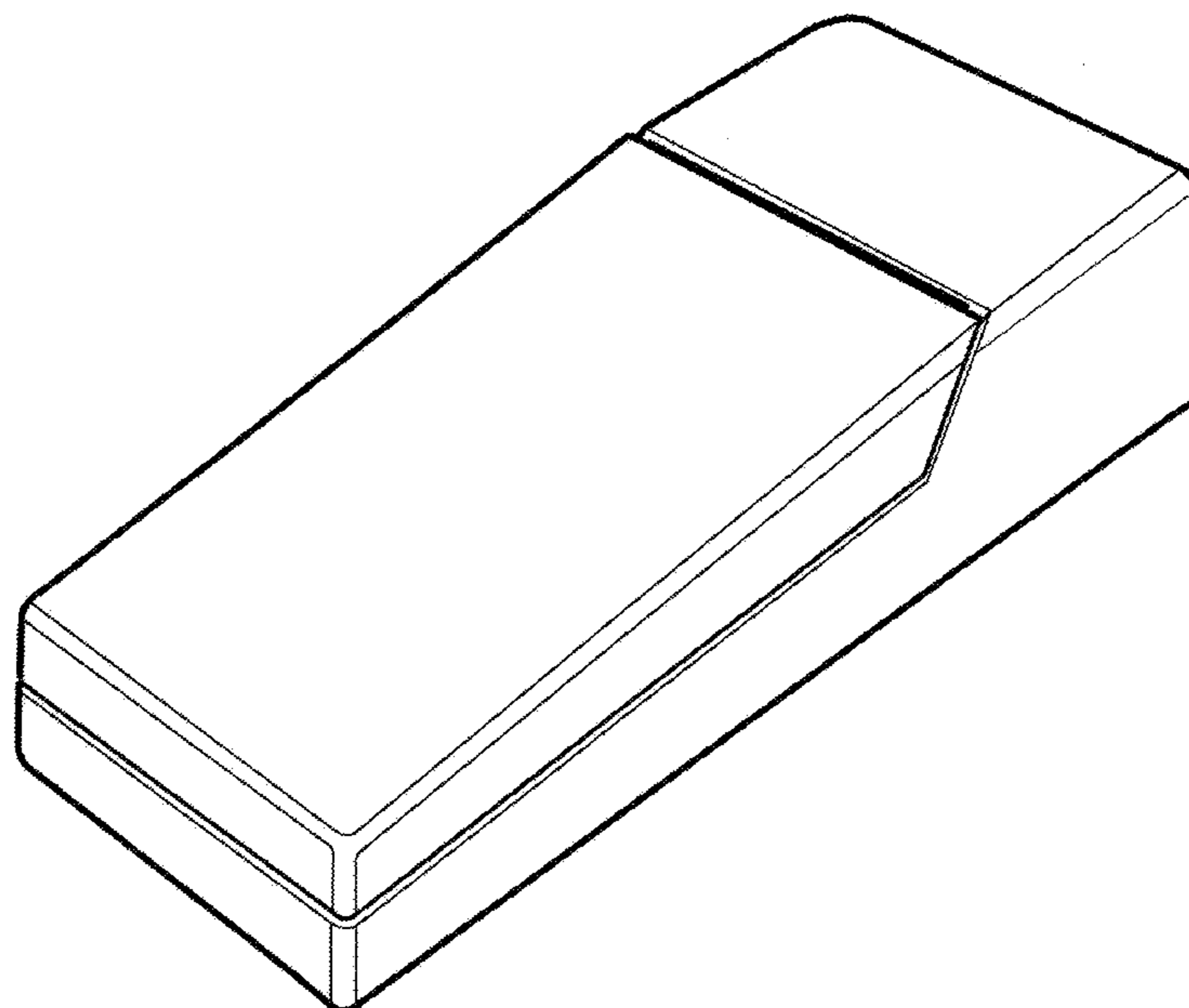
FIG. 9 is a top plan view of the plumber's floor mat of FIG. 8;

FIG. 10 is a right side elevational view of the plumber's floor mat of FIG. 8; and,

FIG. 11 is a bottom plan view of the plumber's floor mat of FIG. 8.

The broken lines in FIG. 8 disclose environmental structure and form no part of the claimed design.

1 Claim, 5 Drawing Sheets



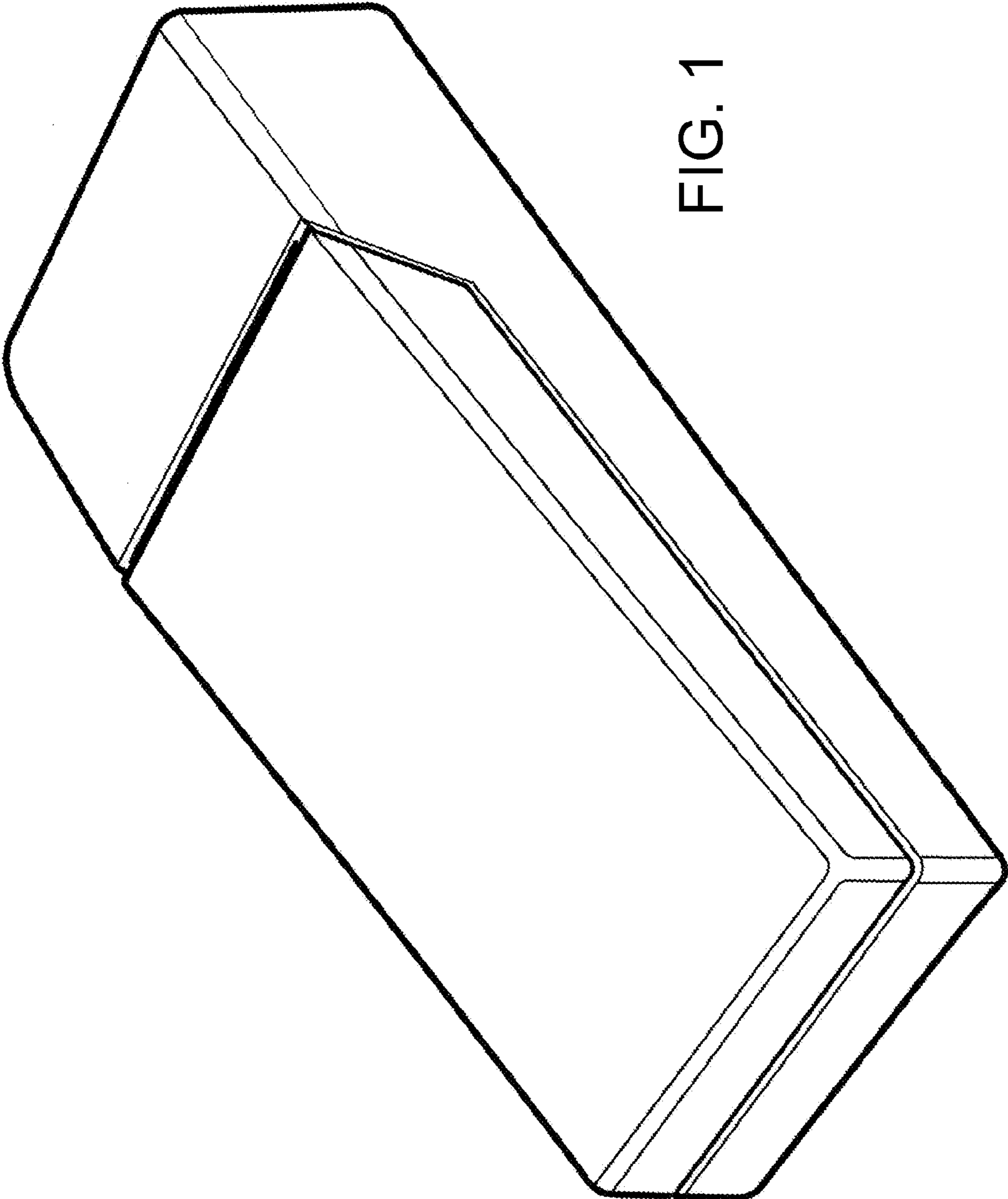


FIG. 1

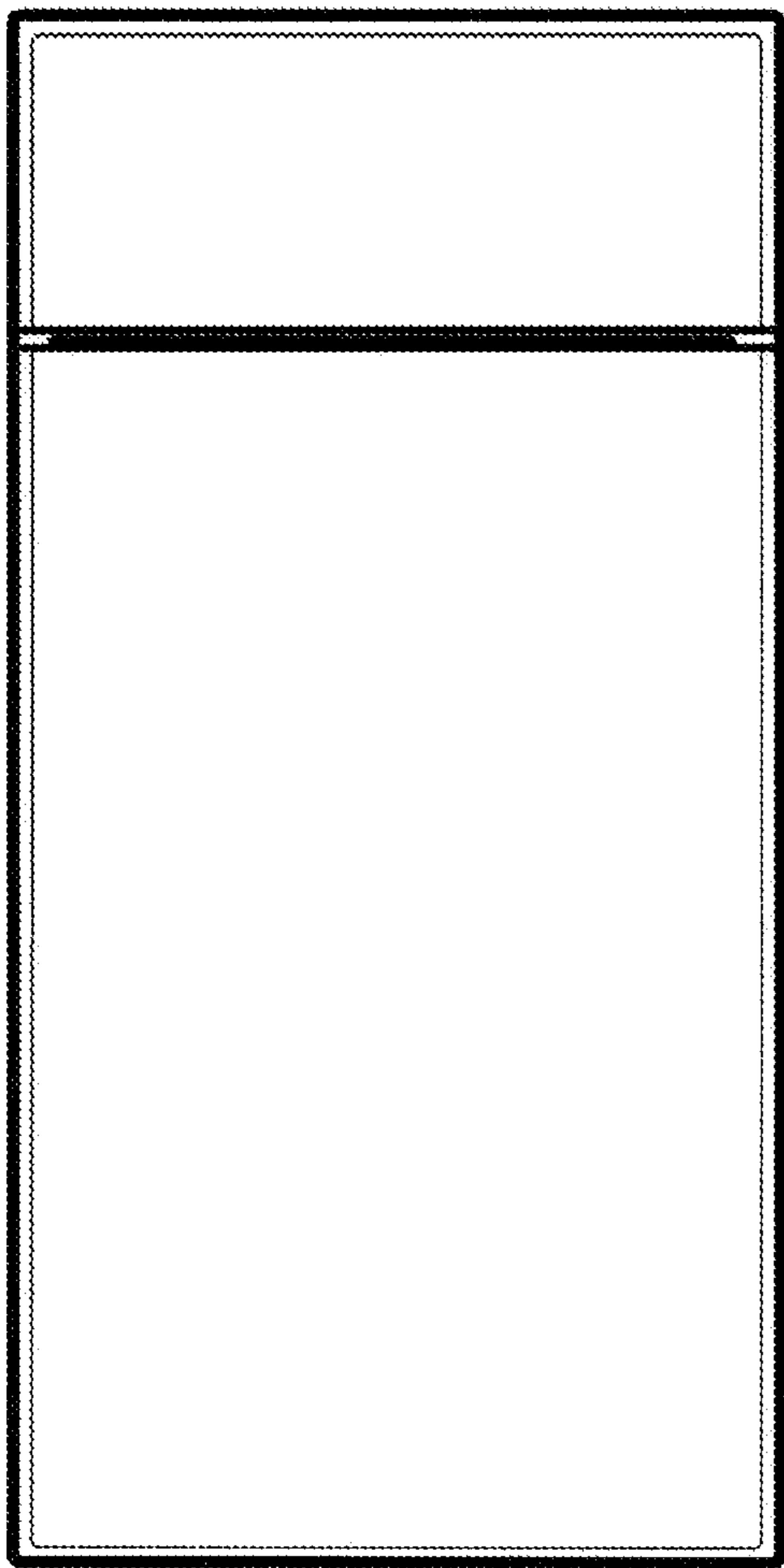


FIG. 2

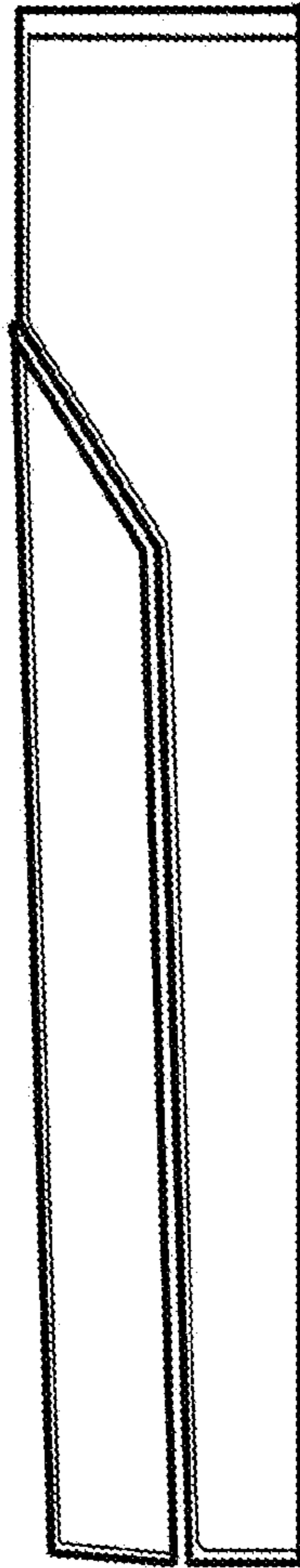


FIG. 4

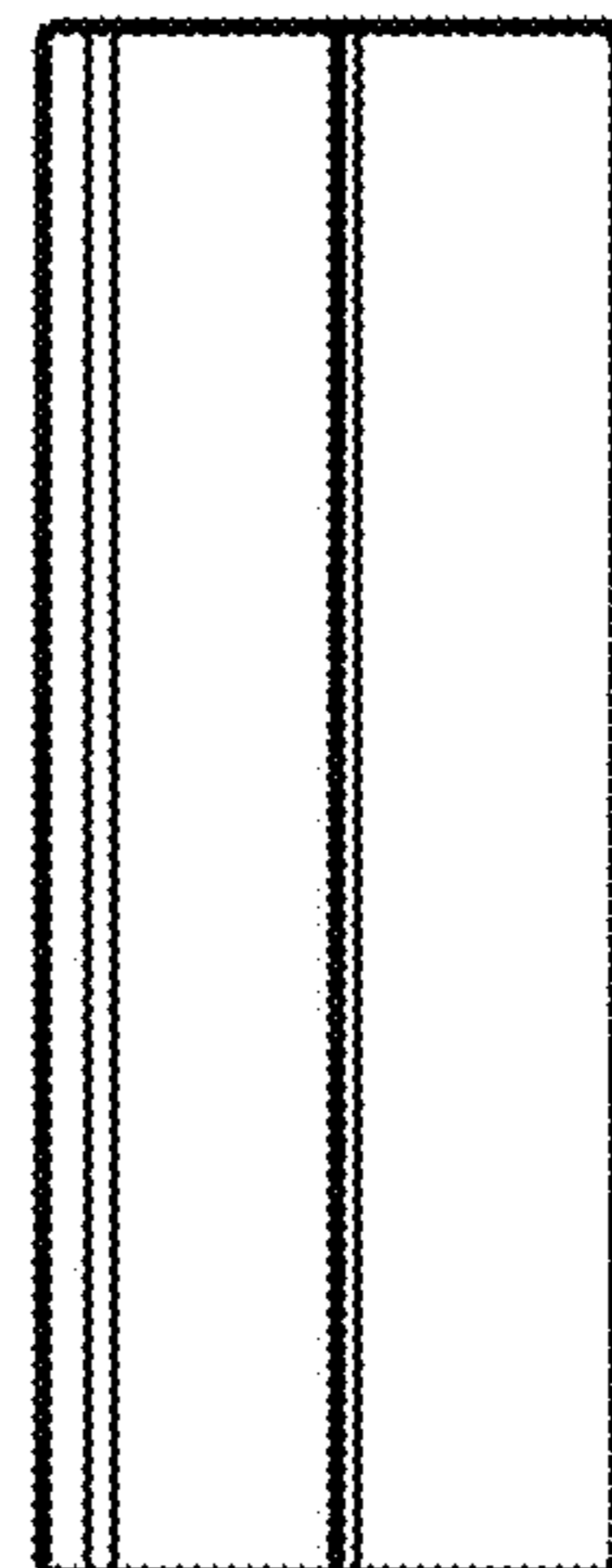


FIG. 3

FIG. 5

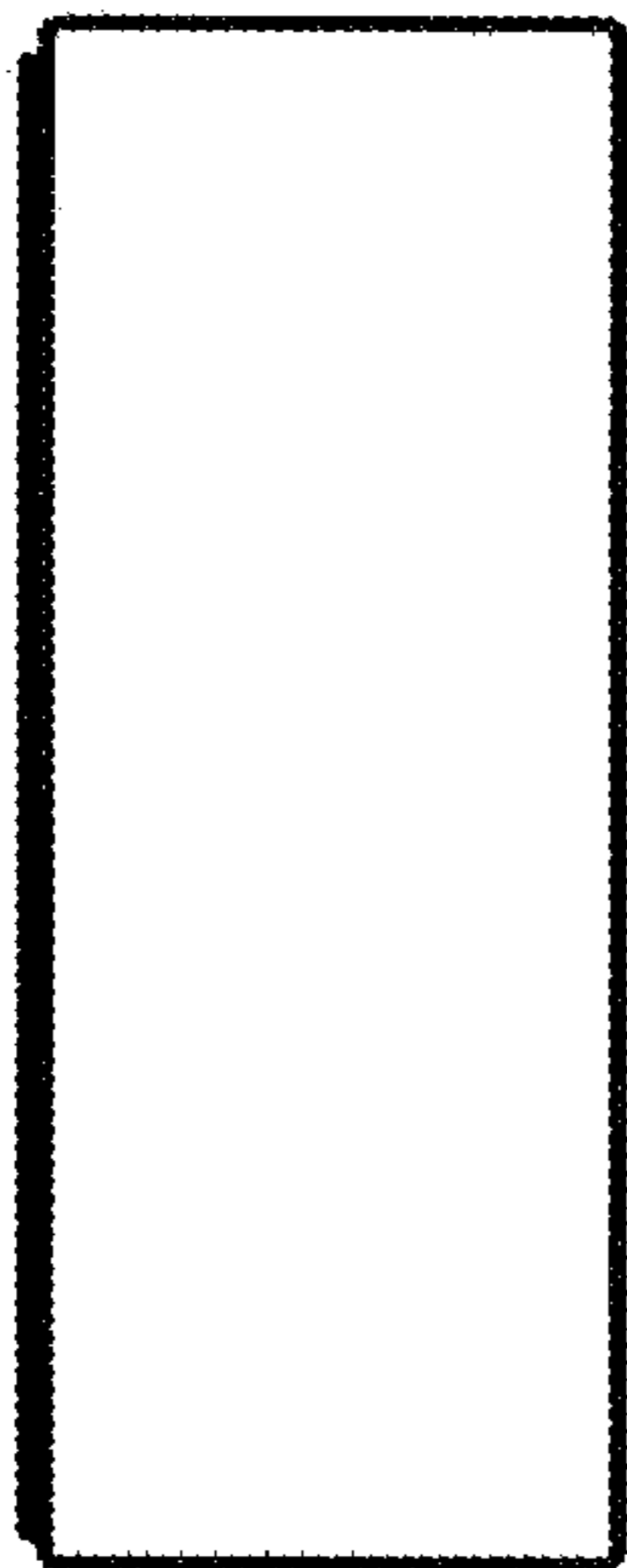


FIG. 6

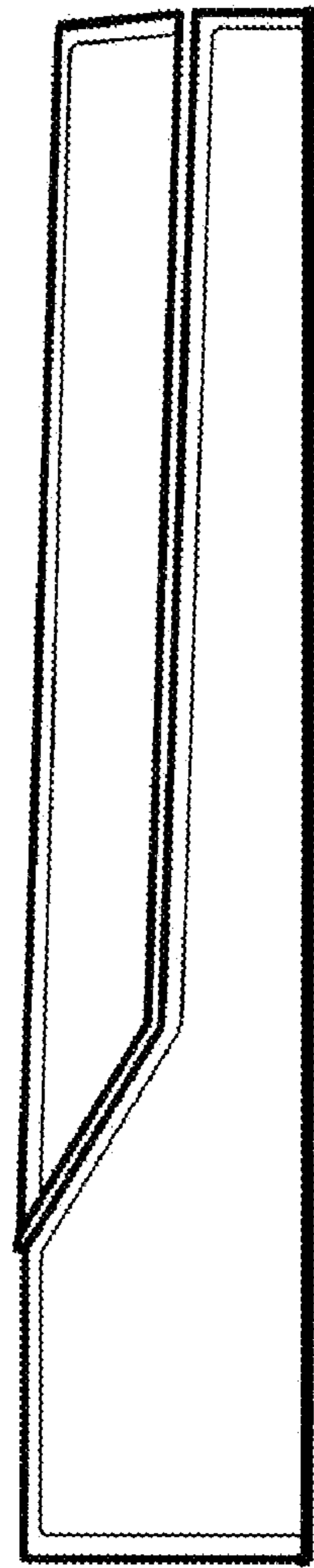
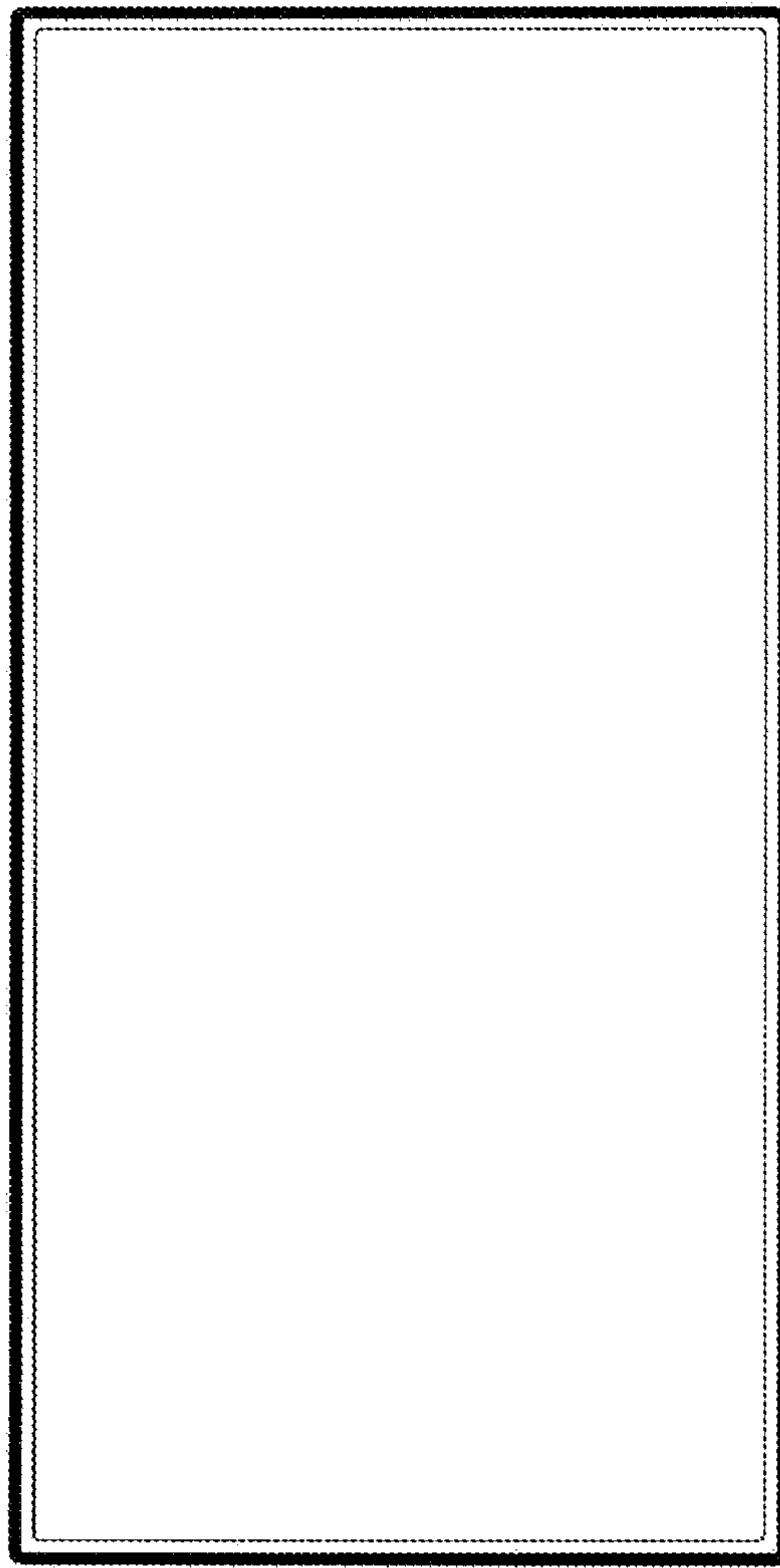


FIG. 7



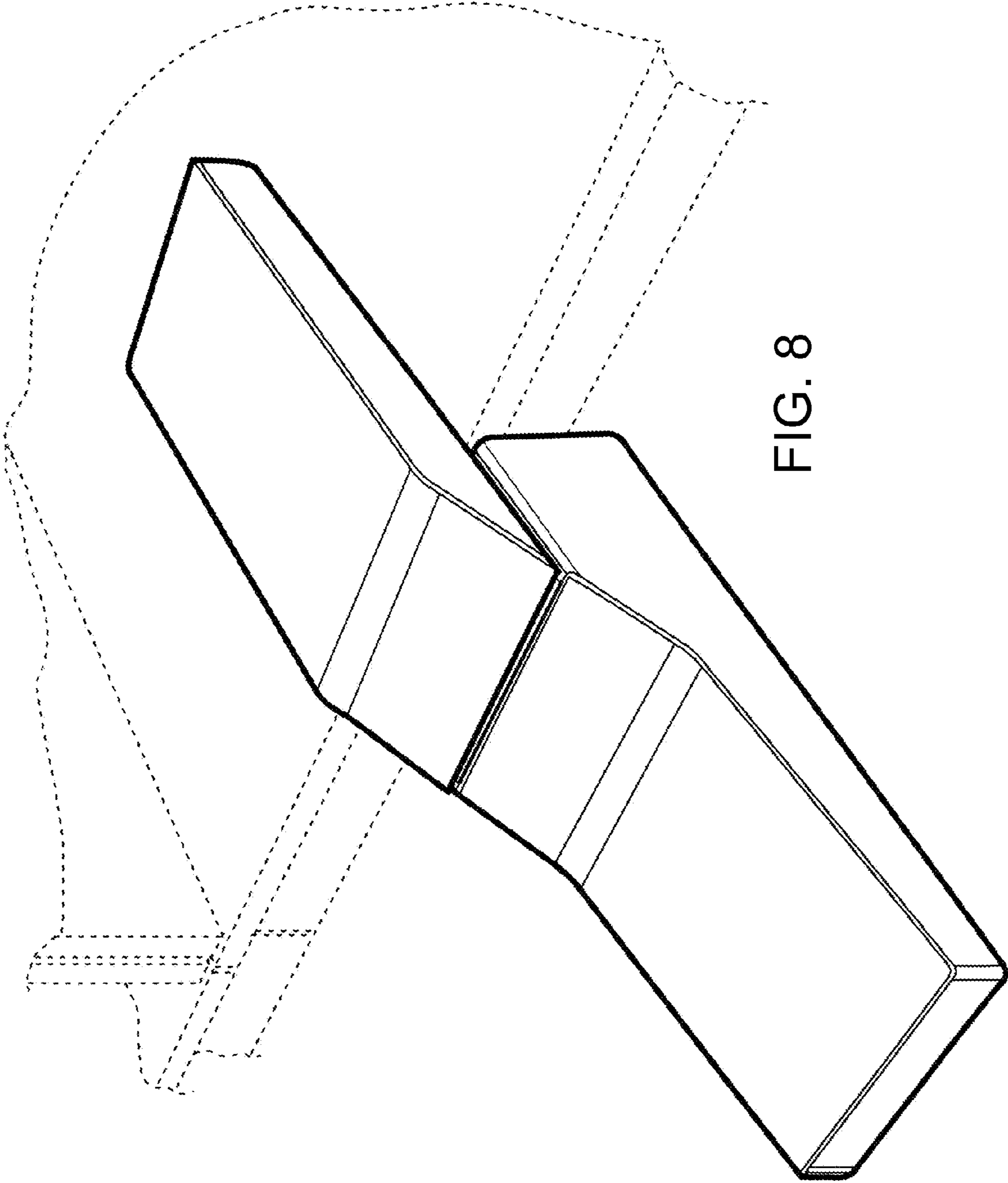


FIG. 8

FIG. 9

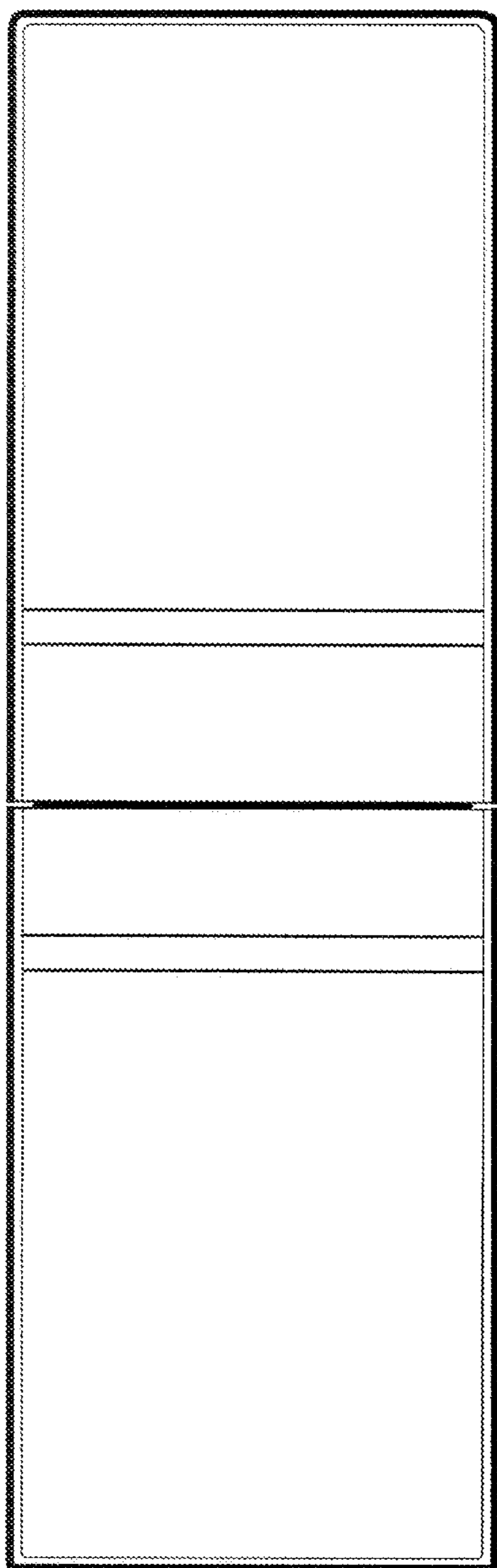


FIG. 10

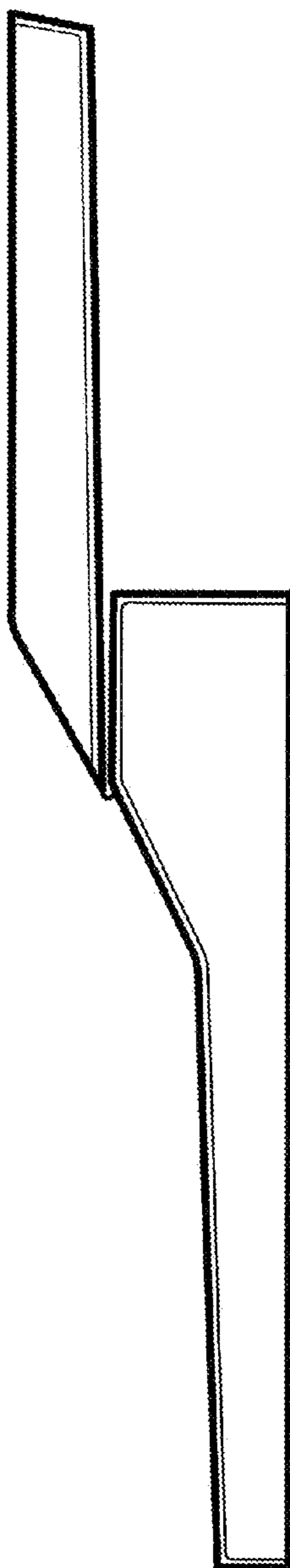


FIG. 11

