



US00D613983S

(12) **United States Design Patent**  
**Klein et al.**

(10) **Patent No.:** **US D613,983 S**  
(45) **Date of Patent:** **\*\* Apr. 20, 2010**

(54) **PIVOTING TOWEL BAR**

(75) Inventors: **Richard B. Klein**, Overland Park, KS (US); **Mark A. Etter**, Independence, MO (US); **Brian Everett**, Shawnee, KS (US)

(73) Assignee: **Lynk, Inc.**, Shawnee Mission, KS (US)

(\*\*) Term: **14 Years**

(21) Appl. No.: **29/351,818**

(22) Filed: **Dec. 11, 2009**

(51) **LOC (9) Cl.** ..... **06-04**

(52) **U.S. Cl.** ..... **D6/548; D6/550**

(58) **Field of Classification Search** ..... D6/518–524, D6/546–550; D8/300, 370, 315; 108/28–29; 211/13.1, 16, 85.5, 86.01, 87.01, 88.04, 100, 211/105.1, 105.2, 106, 113, 123, 181.1, 182–183; 248/49, 175, 176.1, 200, 201, 205.1, 251, 248/302, 309.1, 315; 242/570, 590, 595–598  
See application file for complete search history.

(56) **References Cited**

**U.S. PATENT DOCUMENTS**

D413,213 S 8/1999 Paus

(Continued)

**OTHER PUBLICATIONS**

“Cool Line Stainless Steel 17-1/2” (445mm) Double Pivoting Towel Bar/Hanger (Polished)”. Spokane Hardware Supply, Inc. Posted Date: Unknown; Date: Printed Date: Unknown; <HardwareHut.com>.

(Continued)

*Primary Examiner*—Brian N Vinson

(74) *Attorney, Agent, or Firm*—Hovey Williams LLP

(57) **CLAIM**

The ornamental design for a pivoting towel bar, as shown and described.

**DESCRIPTION**

FIG. 1 is an isometric view of a pivoting towel bar embodying the design, with towel bar brackets and a pivoting assembly being shown in broken lines for illustrative purposes only and forming no part of the claimed design;

FIG. 2 is a front elevation view of the pivoting towel bar of FIG. 1 and illustrating the towel bar brackets and the pivoting assembly in broken lines for illustrative purposes only so as not to form any part of the claimed design;

FIG. 3 is a right side elevation view of the pivoting towel bar of FIG. 1 and illustrating the towel bar brackets and the pivoting assembly in broken lines for illustrative purposes only so as not to form any part of the claimed design;

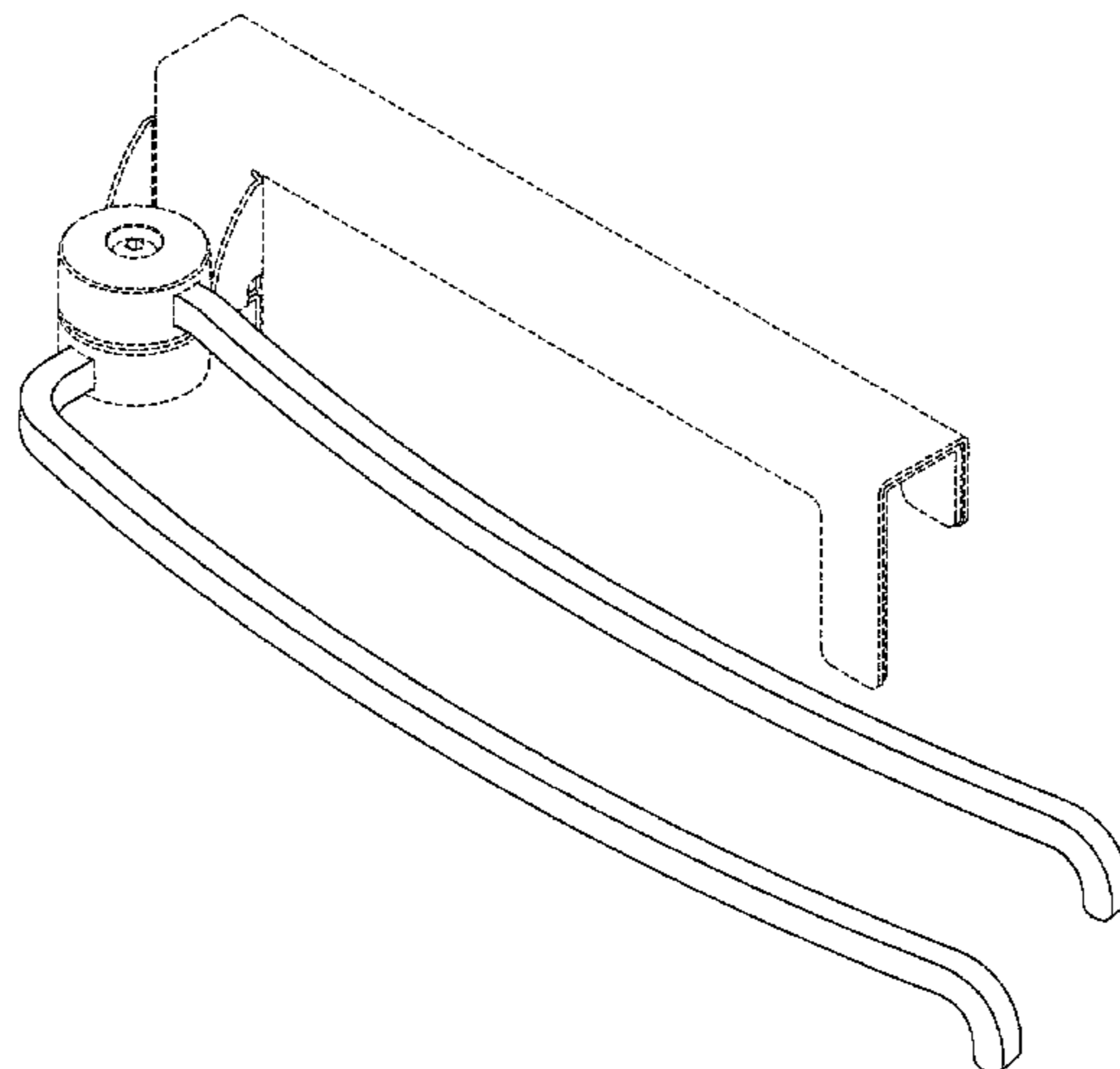
FIG. 4 is a left side elevation view of the pivoting towel bar of FIG. 1 and illustrating the towel bar brackets and the pivoting assembly in broken lines for illustrative purposes only so as not to form any part of the claimed design;

FIG. 5 is a top-down plan view of the pivoting towel bar of FIG. 1 and illustrating the towel bar brackets and the pivoting assembly in broken lines for illustrative purposes only so as not to form any part of the claimed design;

FIG. 6 is a rear elevation view of the pivoting towel bar of FIG. 1 and illustrating the towel bar brackets and the pivoting assembly in broken lines for illustrative purposes only so as not to form any part of the claimed design; and,

FIG. 7 is a bottom-up plan view of the pivoting towel bar of FIG. 1 and illustrating the towel bar brackets and the pivoting assembly in broken lines for illustrative purposes only so as not to form any part of the claimed design.

**1 Claim, 4 Drawing Sheets**



U.S. PATENT DOCUMENTS

D422,171 S \* 4/2000 Mahlmann ..... D6/548  
D437,163 S \* 2/2001 Fiegl et al. .... D6/548  
D450,510 S \* 11/2001 Gottwald ..... D6/548  
D455,591 S \* 4/2002 Zetsche ..... D6/548  
6,845,870 B2 1/2005 Yang  
D571,592 S \* 6/2008 Bickler et al. .... D6/548  
D579,251 S \* 10/2008 Dolan ..... D6/550  
D590,645 S \* 4/2009 Weststrate ..... D6/548  
D591,991 S \* 5/2009 Cohen ..... D6/548

OTHER PUBLICATIONS

“Ginger 4522S/PC Columnar 12" Pivoting Double Towel Bar, Polished Chrome”. Posted Date: Unknown; Printed Date: Unknown; <PlumerSurplus.com>.  
“Twist N Lock QM321541 Towel Ring”. Posted Date: Unknown; Date; Printed Date: Unknown; <amazon.com>.  
“Towel Bar, 3 Prong Pull Out”. Posted Date: Unknown; Date; Printed Date: Unknown; <amazon.com>.  
“Home Collection 17" L Swing Arm Towel Bar—Polished Chrome”. Posted Date: Unknown; Date; Printed Date: Unknown; <amazon.com> .

“Kohler K-12155-BN Fairfax Small Towel Bar, Vibrant Brushed Nickel”. Posted Date: Unknown; Date; Printed Date: Unknown;<amazon.com>.

“Towel Rack, 3 Bar Side Mount”. Posted Date: Unknown; Date; Printed Date: Unknown; <amazon.com>.

“Hansgrohe 40512820 E & S Accessories Dual Towel Bar, Brushed Nickel”. Posted Date: Unknown; Date; Printed Date: Unknown; <amazon.com>.

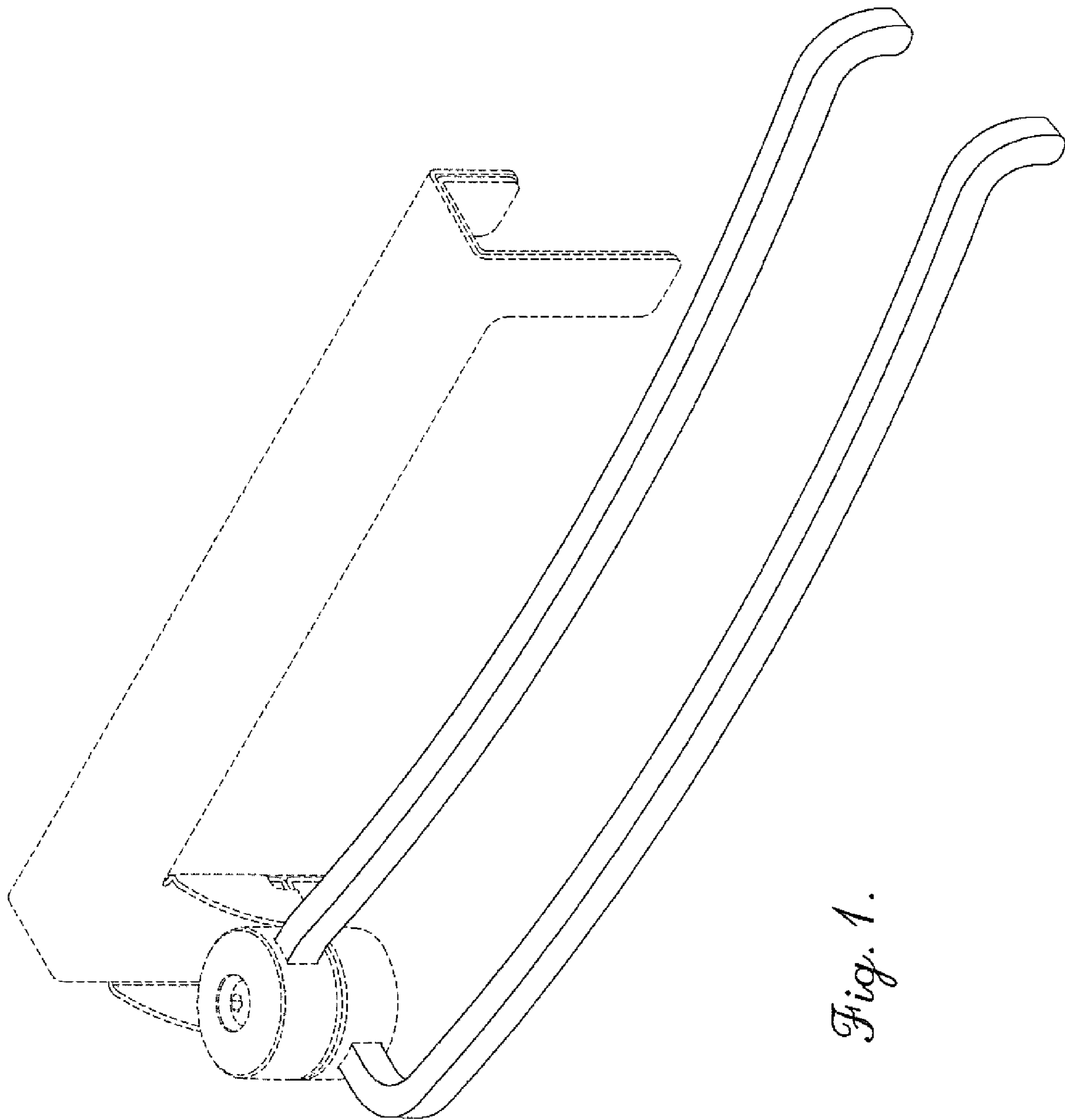
“House Collection 17" Swing Arm Towel Bar—Polished Chrome”. Posted Date: Unknown; Date; Printed Date: Unknown; <amazon.com>.

“Smedbo Loft Swing Arm Towel Bar Rail, Polished Chrome, LK326”. Post Date: Unknown; Date; Printed Date: Unknown; <amazon.com>.

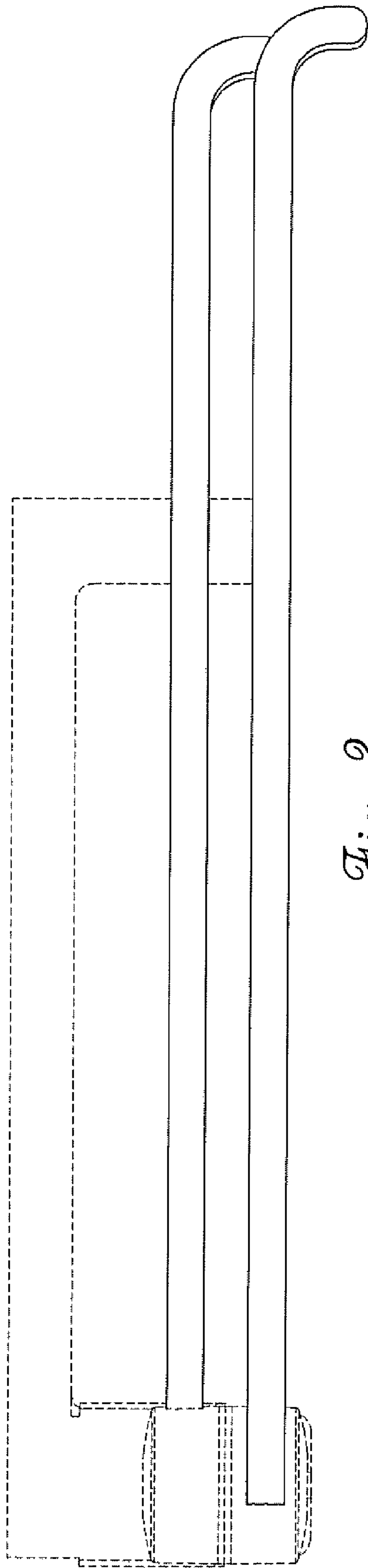
“Whitney Design Hinge—It Spacemaker Double Bars”. Posted Date: Unknown; Date; Printed Date: Unknown; <amazon.com>.

“Over the Cabinet/Drawer Paper Towel Holder—Brushed Nickel by Spectrum”. Posted Date: Unknown; Date; Printed Date: Unknown; <organize.com>.

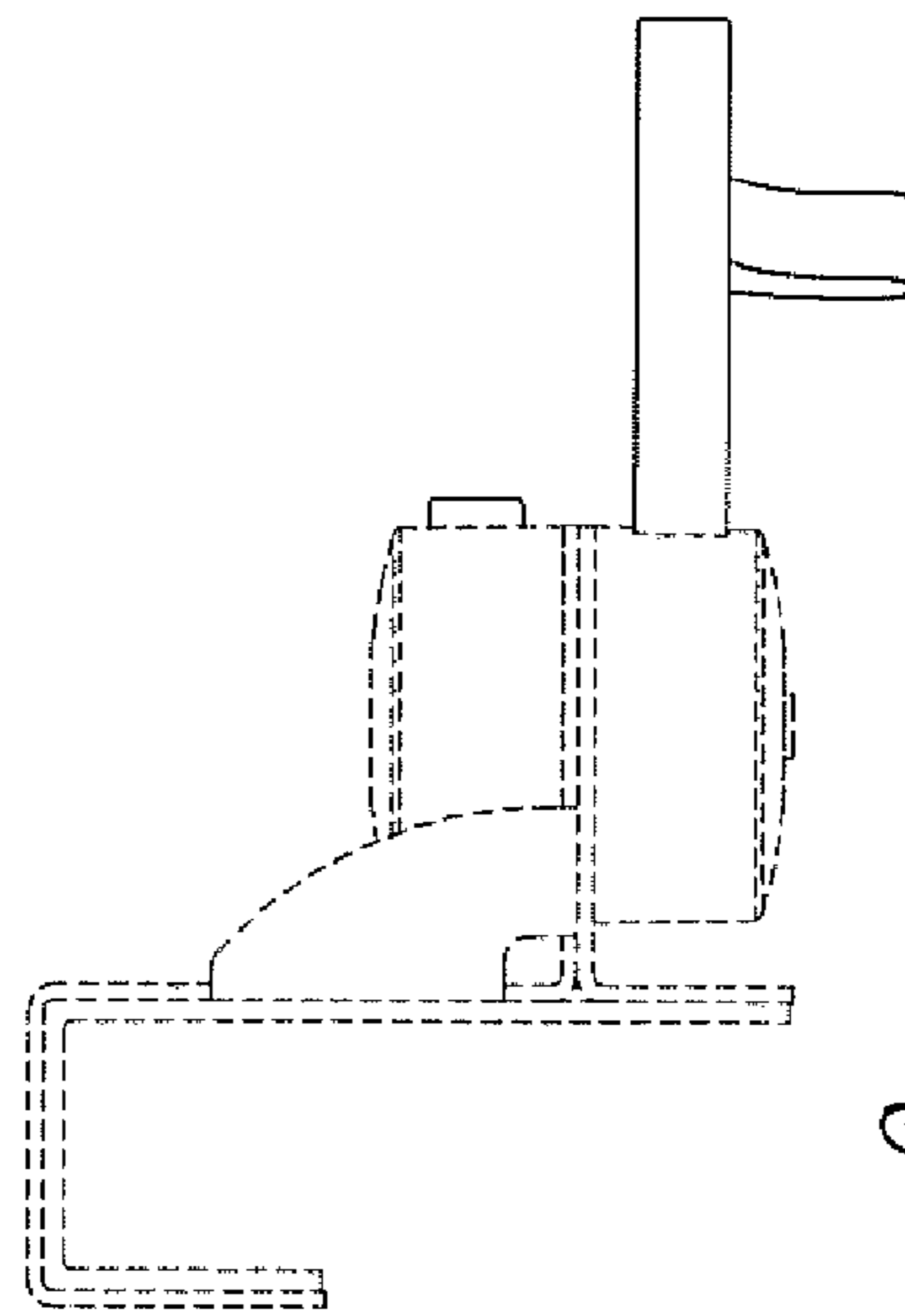
\* cited by examiner



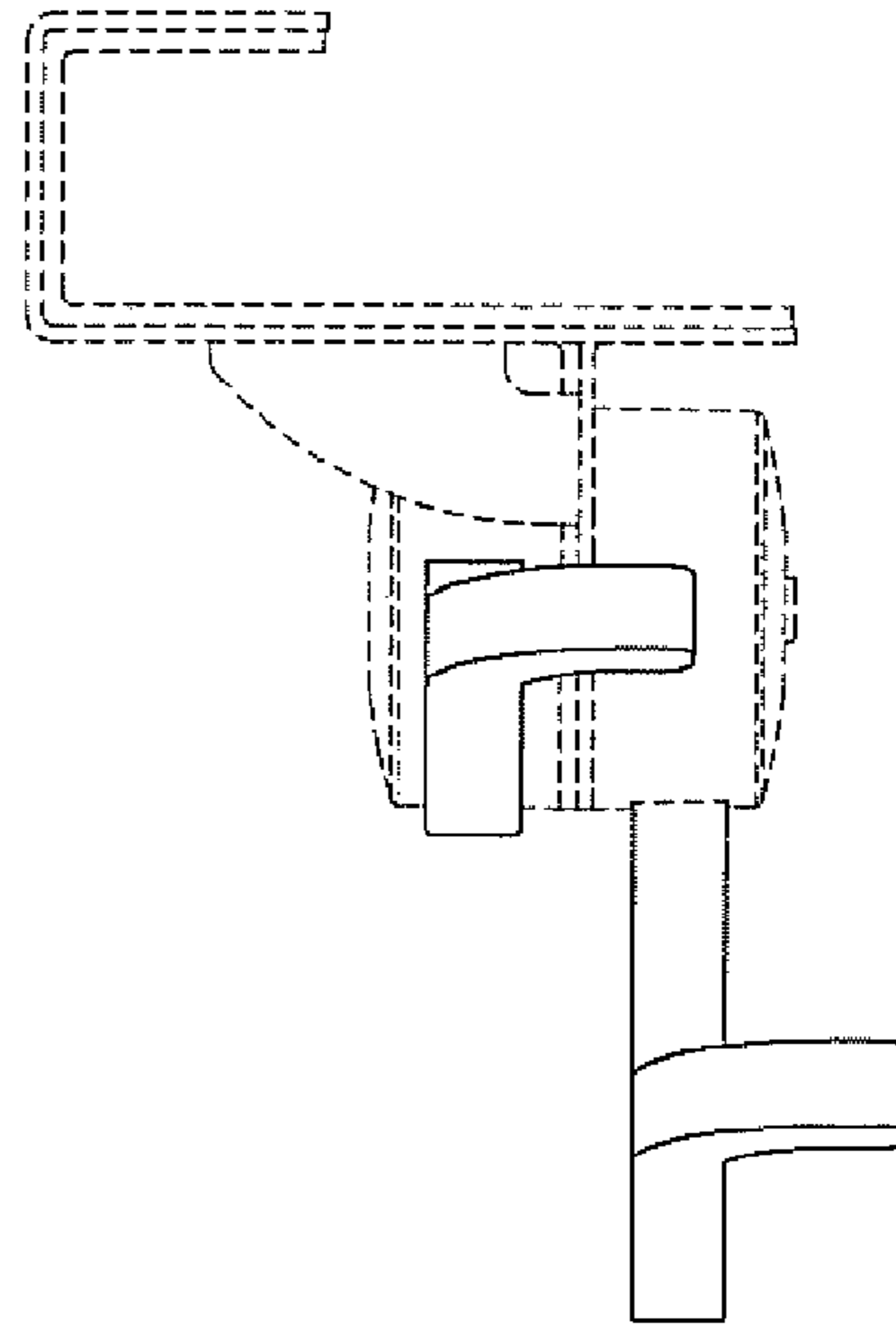
*Fig. 1.*



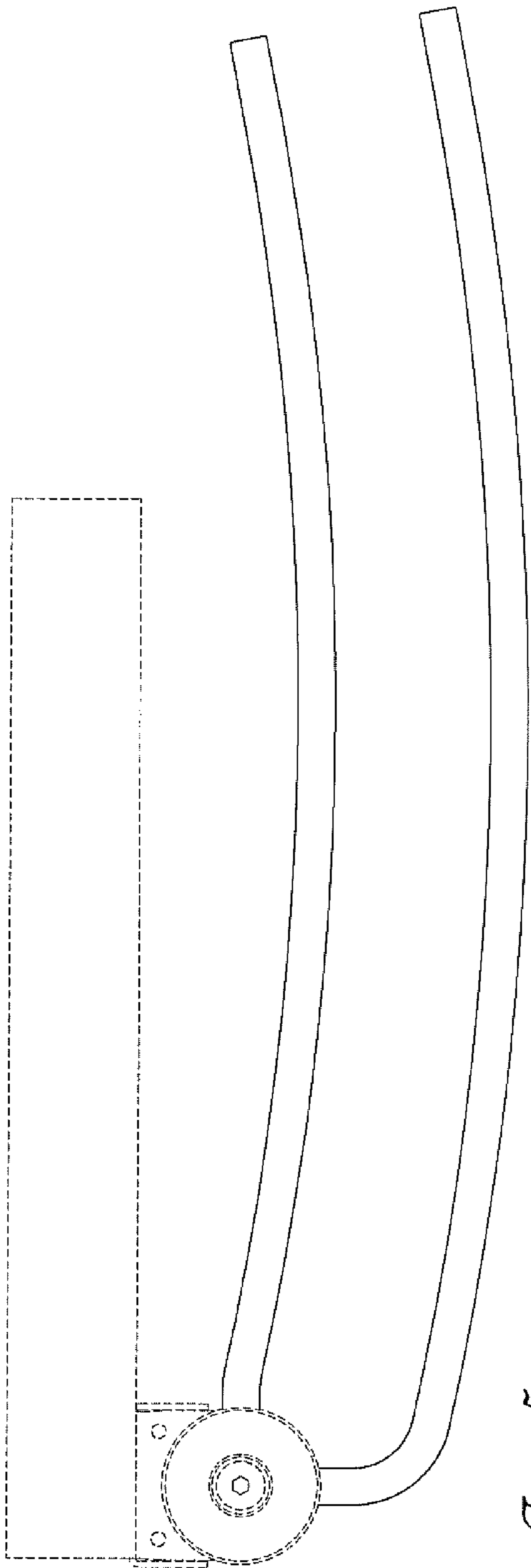
*Fig. 2.*



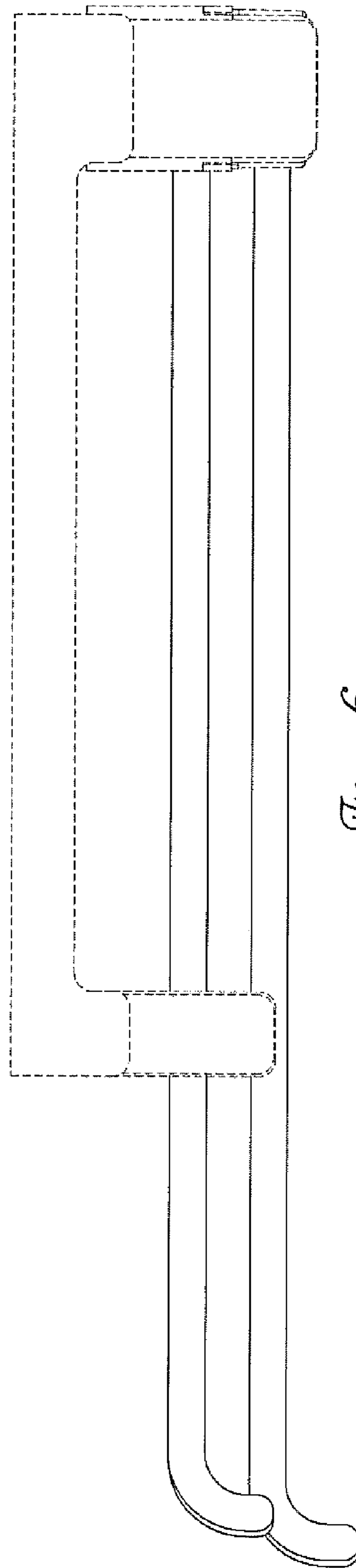
*Fig. 3.*



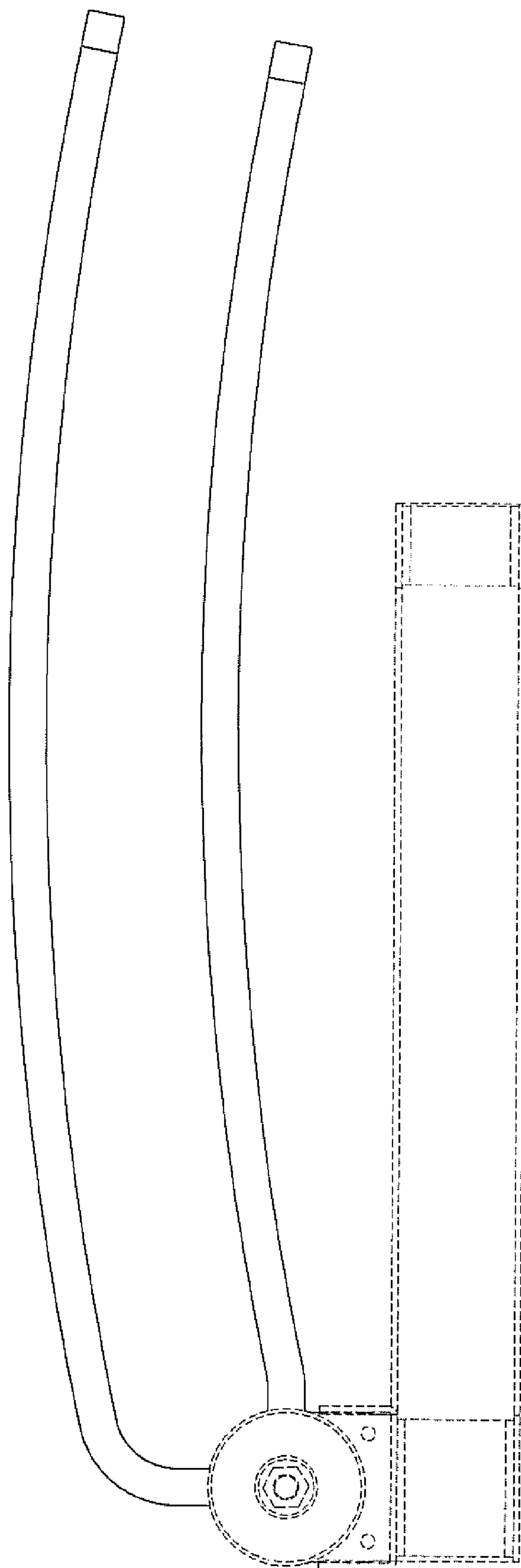
*Fig. 4.*



*Fig. 5.*



*Fig. 6.*



*Fig. 7.*