



US00D613982S

(12) **United States Design Patent**
Wilson et al.

(10) **Patent No.:** **US D613,982 S**

(45) **Date of Patent:** **** Apr. 20, 2010**

(54) **PAPER ROLL COVER**

(76) Inventors: **Eric Allan Wilson**, 6733 Hancock Ave.,
St. Louis, MO (US) 63139; **Heather**
Renee Wilson, 6733 Hancock Ave., St.
Louis, MO (US) 63139

(**) Term: **14 Years**

(21) Appl. No.: **29/326,981**

(22) Filed: **Oct. 28, 2008**

(51) **LOC (9) Cl.** **20-02**

(52) **U.S. Cl.** **D6/518**

(58) **Field of Classification Search** D6/515-523;
D3/201, 203.5, 227, 315; 211/13.1, 85.5,
211/16, 89.01; 242/170, 422.6, 570; 206/389,
206/390, 395, 396, 400, 409

See application file for complete search history.

(56) **References Cited**

U.S. PATENT DOCUMENTS

2,462,776 A	2/1949	Price	
D156,498 S	12/1949	Fomusa et al.	
2,561,584 A	7/1951	McDonald	
2,590,552 A	3/1952	Lauton	
2,606,724 A	8/1952	Hertz	
2,649,255 A	8/1953	Smallen	
2,806,738 A	9/1957	Tsakalas	
4,089,481 A	5/1978	Ciuci	
4,721,264 A	1/1988	Muscarello	
4,739,943 A *	4/1988	Geller	206/389
4,804,149 A	2/1989	Murphy	
4,860,893 A	8/1989	Kaufman	
D308,445 S *	6/1990	Loughridge	D6/518

4,957,246 A	9/1990	Kantor	
D311,106 S *	10/1990	Jaber	D6/520
D356,225 S *	3/1995	Coggins et al.	D6/520
D361,234 S	8/1995	Ball	
5,439,521 A	8/1995	Rao	
D372,823 S *	8/1996	Kerschreiter	D6/520
5,605,250 A	2/1997	Meiron et al.	
D388,989 S	1/1998	Puckerin	
D393,770 S	4/1998	Daly	
D452,094 S *	12/2001	Akin	D6/515
D460,305 S	7/2002	Fletcher	
D462,551 S	9/2002	Mayer	
D518,322 S	4/2006	Carbone	
7,322,544 B2 *	1/2008	Collins	D6/523

* cited by examiner

Primary Examiner—Brian N Vinson

(74) *Attorney, Agent, or Firm*—H. Frederick Rusche; Husch
Blackwell Sanders LLP

(57) **CLAIM**

We claim the ornamental design for a paper roll cover, as
shown and described.

DESCRIPTION

FIG. 1 is a top perspective view of a paper roll cover showing
my new design;

FIG. 2 is a bottom perspective view thereof;

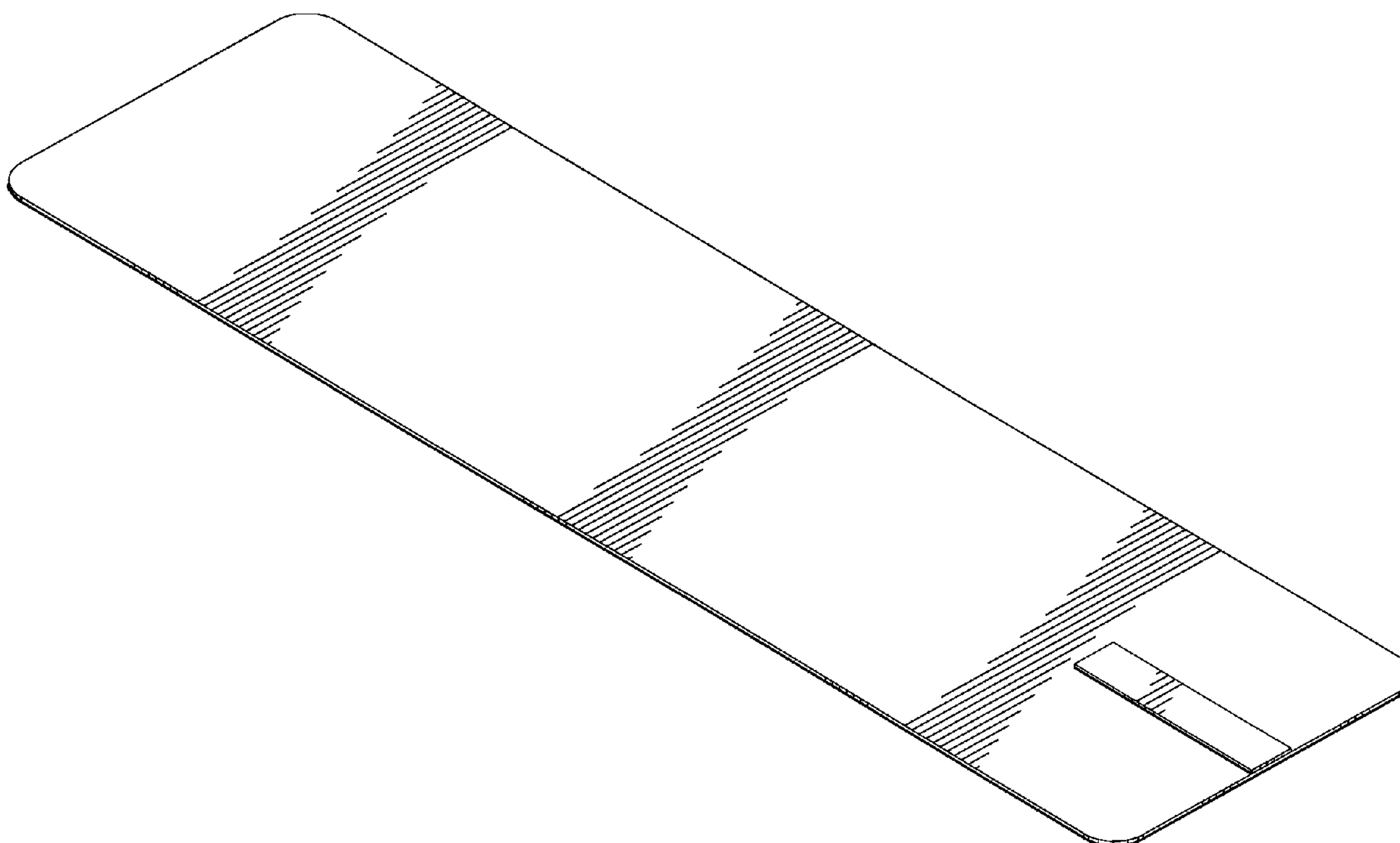
FIG. 3 is a top view thereof;

FIG. 4 is a bottom view thereof; and

FIG. 5 is a side view thereof; and,

FIG. 6 is a front view thereof.

1 Claim, 4 Drawing Sheets



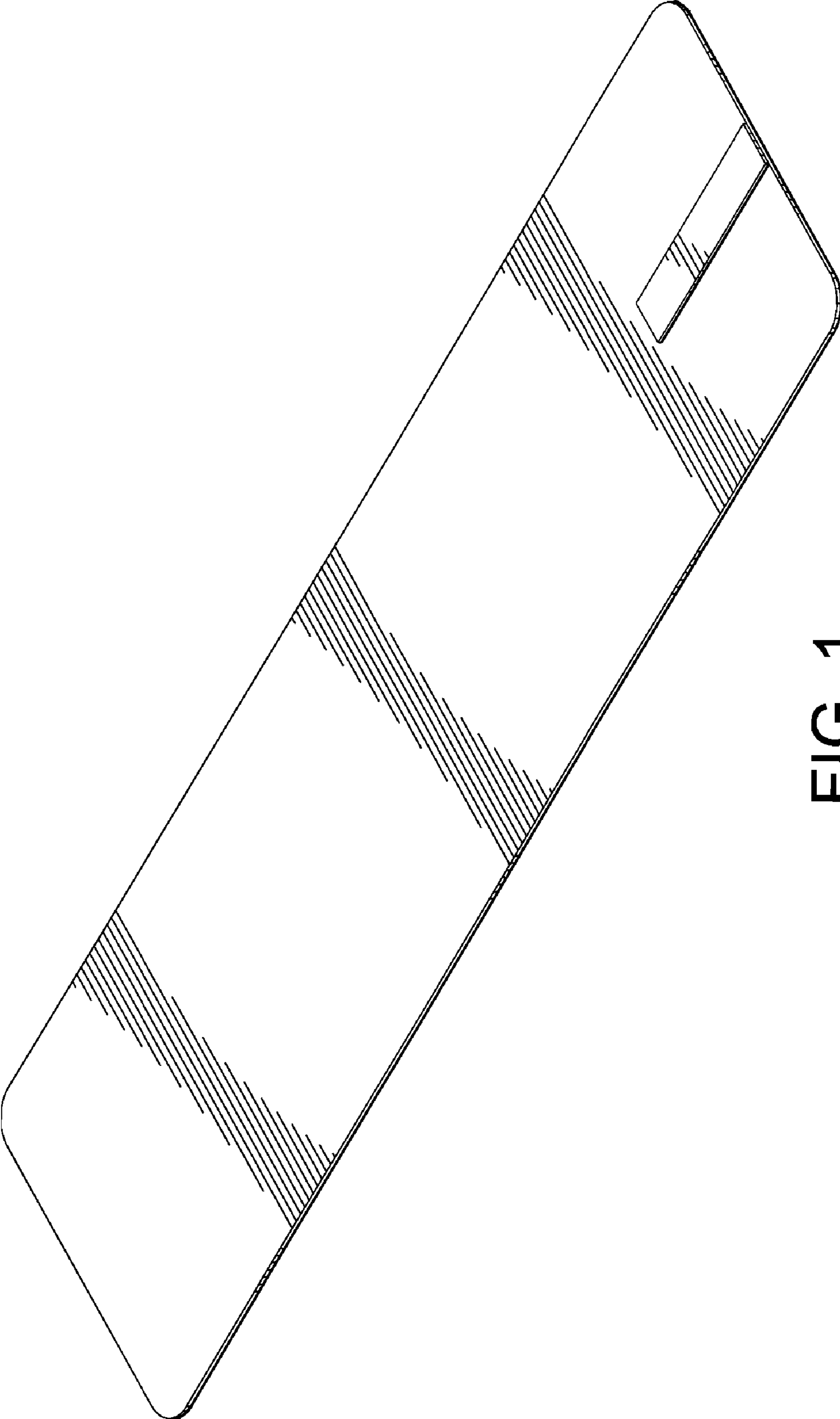


FIG. 1

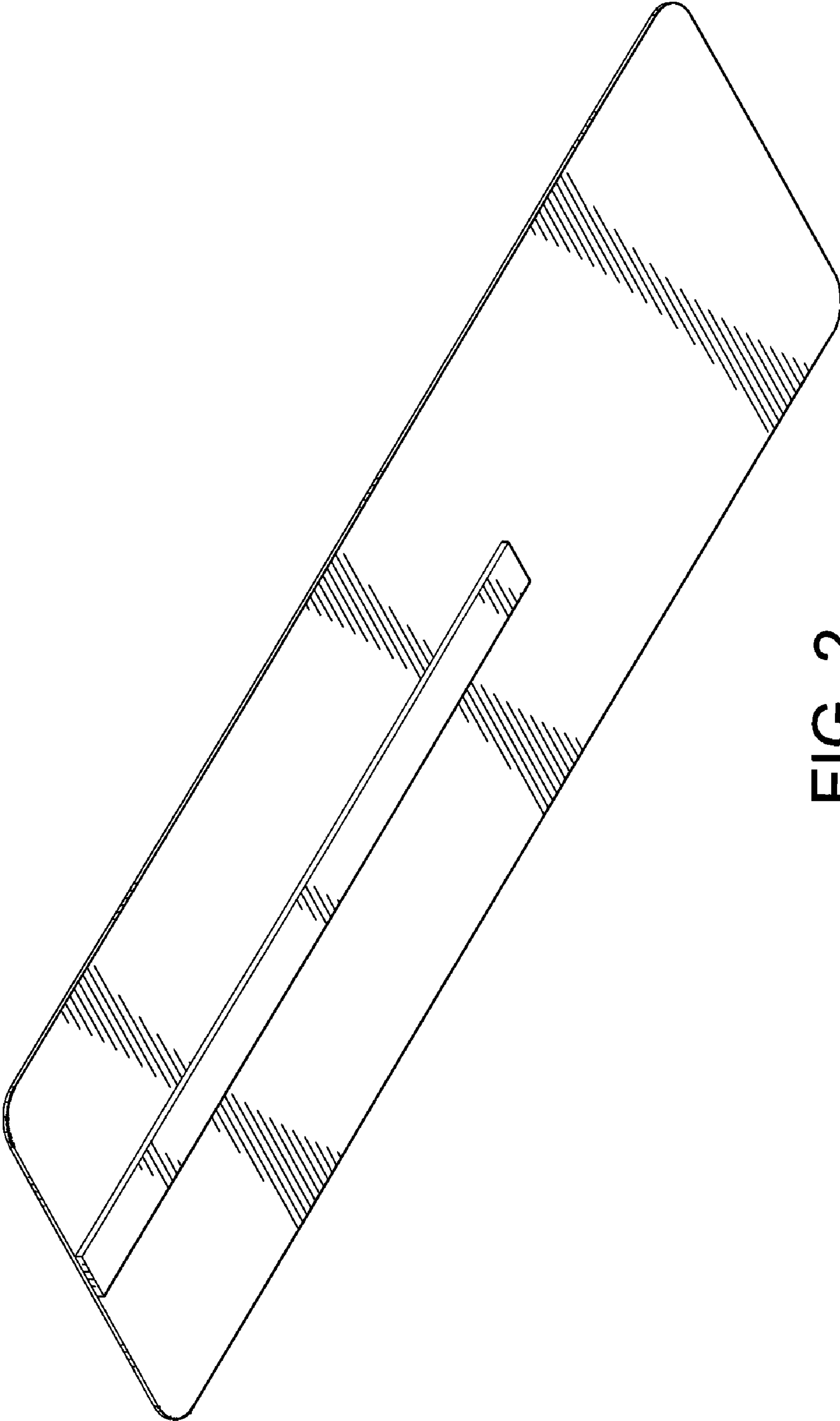


FIG. 2

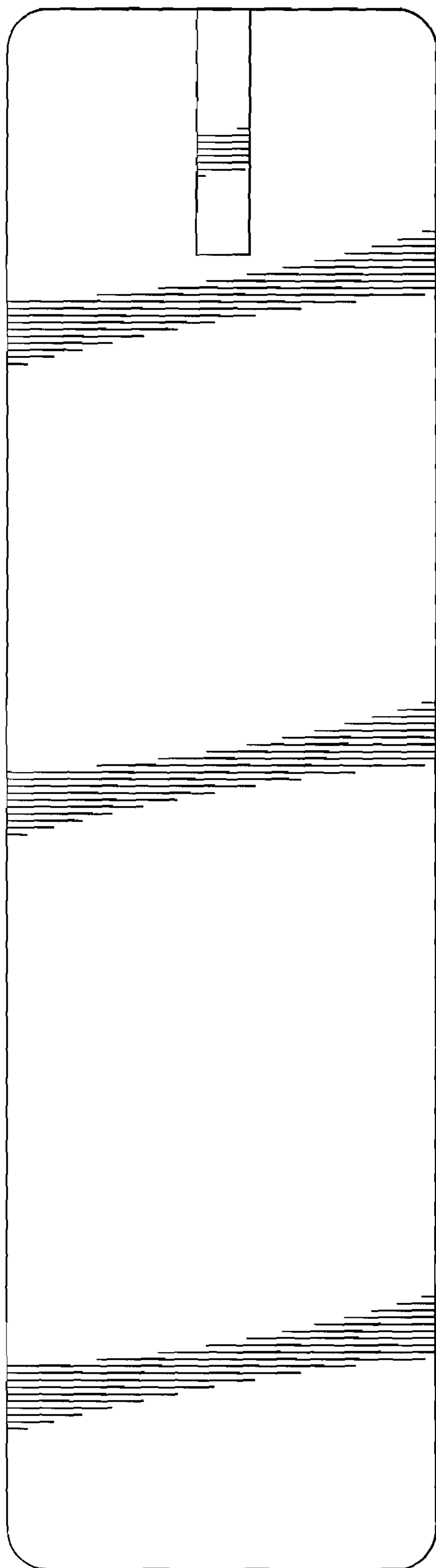


FIG. 3

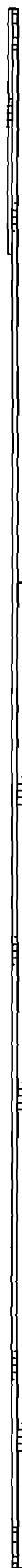


FIG. 5

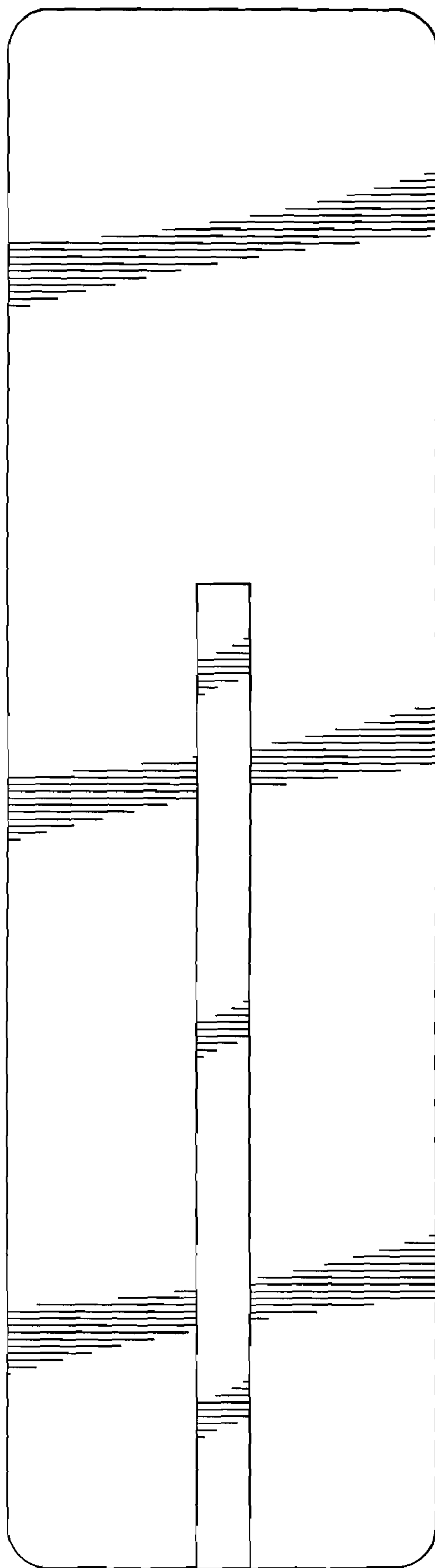


FIG. 4



FIG. 6