



US00D613980S

(12) **United States Design Patent**  
**Bucholz et al.**

(10) **Patent No.:** **US D613,980 S**

(45) **Date of Patent:** **\*\* Apr. 20, 2010**

(54) **HANGING SHELF FOR ATTACHMENT TO AN OVERHEAD SUPPORT**

D553,401 S \* 10/2007 Peddycord ..... D6/513  
D563,700 S \* 3/2008 Walters et al. .... D6/513

(75) Inventors: **Merritt Bucholz**, Dublin (IE); **Ralf Kampe**, Dublin (IE)

\* cited by examiner

*Primary Examiner*—Brian N Vinson

(74) *Attorney, Agent, or Firm*—K&L Gates LLP

(73) Assignee: **Bucholz McEvoy Architects Limited**, Dublin (IE)

(57) **CLAIM**

(\*\*) Term: **14 Years**

The ornamental design for a hanging shelf for attachment to an overhead support, as shown and described.

(21) Appl. No.: **29/294,247**

(22) Filed: **Dec. 28, 2007**

**DESCRIPTION**

(30) **Foreign Application Priority Data**

Jun. 29, 2007 (EM) ..... 000756952-0001

FIG. 1 is a top, side, and end perspective view of a hanging shelf for attachment to an overhead support.

FIG. 2 is a bottom and end perspective view thereof;

FIG. 3 is a bottom, side, and end perspective view thereof;

FIG. 4 is a top and end perspective view thereof;

FIG. 5 is a top, side, and end perspective view thereof;

FIG. 6 is a bottom and end perspective view thereof;

FIG. 7 is a bottom, side, and end perspective view thereof; and,

FIG. 8 is a top and end perspective view thereof.

(51) **LOC (9) Cl.** ..... **06-06**

(52) **U.S. Cl.** ..... **D6/514**

(58) **Field of Classification Search** ..... D6/512–514, D6/553, 567, 566, 574; D13/133, 139.1, D13/139.5; D26/72, 76, 81; 108/28, 29; 248/235, 309.1; 211/13.1, 32, 41.3, 41.4, 211/86.01, 87.01, 90.01, 90.03, 126.9, 134, 211/181.1

See application file for complete search history.

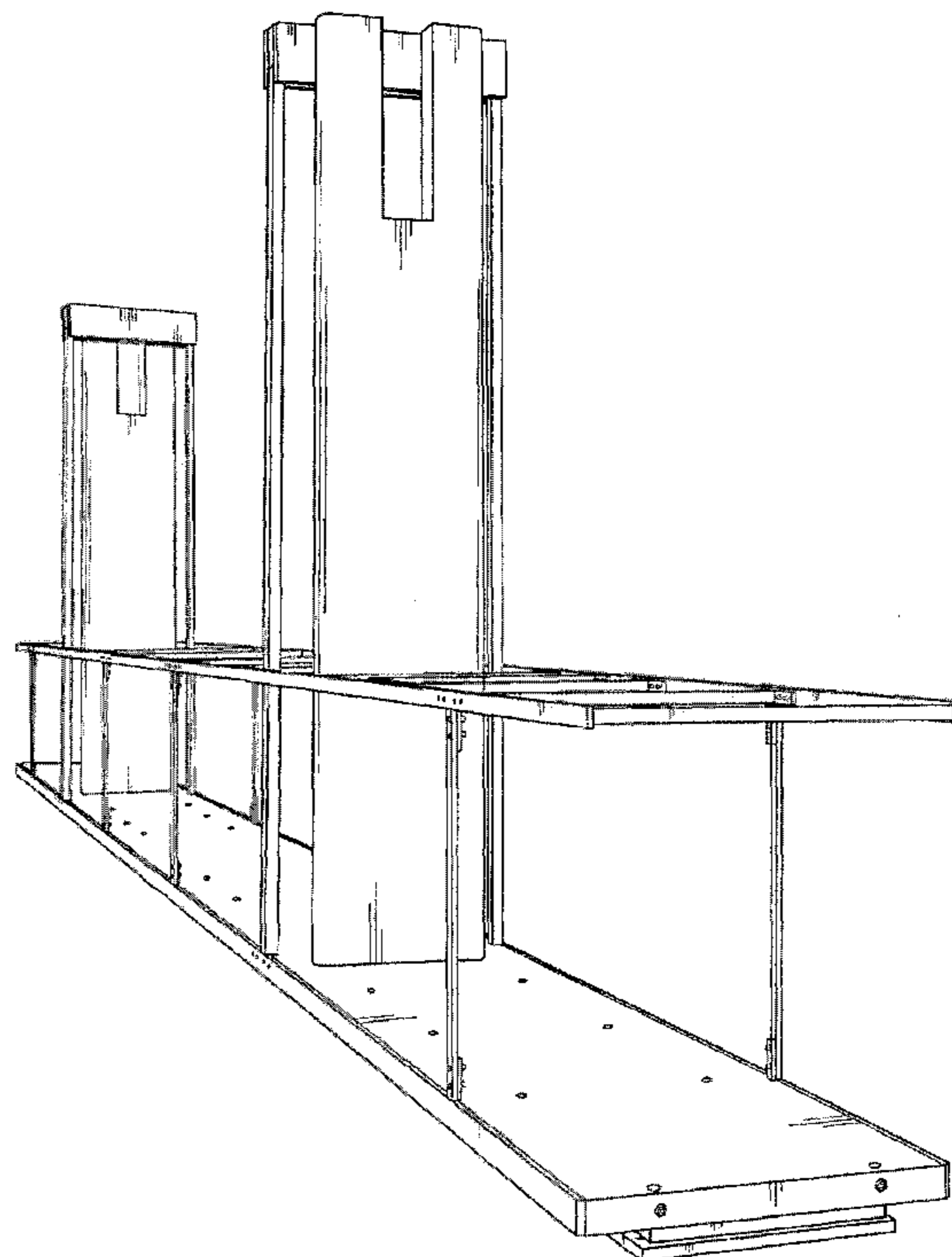
The broken-line disclosure of a horizontal lighting track shown in FIGS. 5–8 is for illustrative purposes only and forms no part of the claimed design, while the other elements shown in broken-lines in the views are understood to represent portions of the article in which the claimed design is embodied, but which form no part of the claimed design.

(56) **References Cited**

**U.S. PATENT DOCUMENTS**

D516,348 S \* 3/2006 Satterthwaite ..... D6/514  
D525,811 S \* 8/2006 Nawrocki ..... D6/513  
D538,088 S \* 3/2007 Ruff ..... D6/513

**1 Claim, 8 Drawing Sheets**



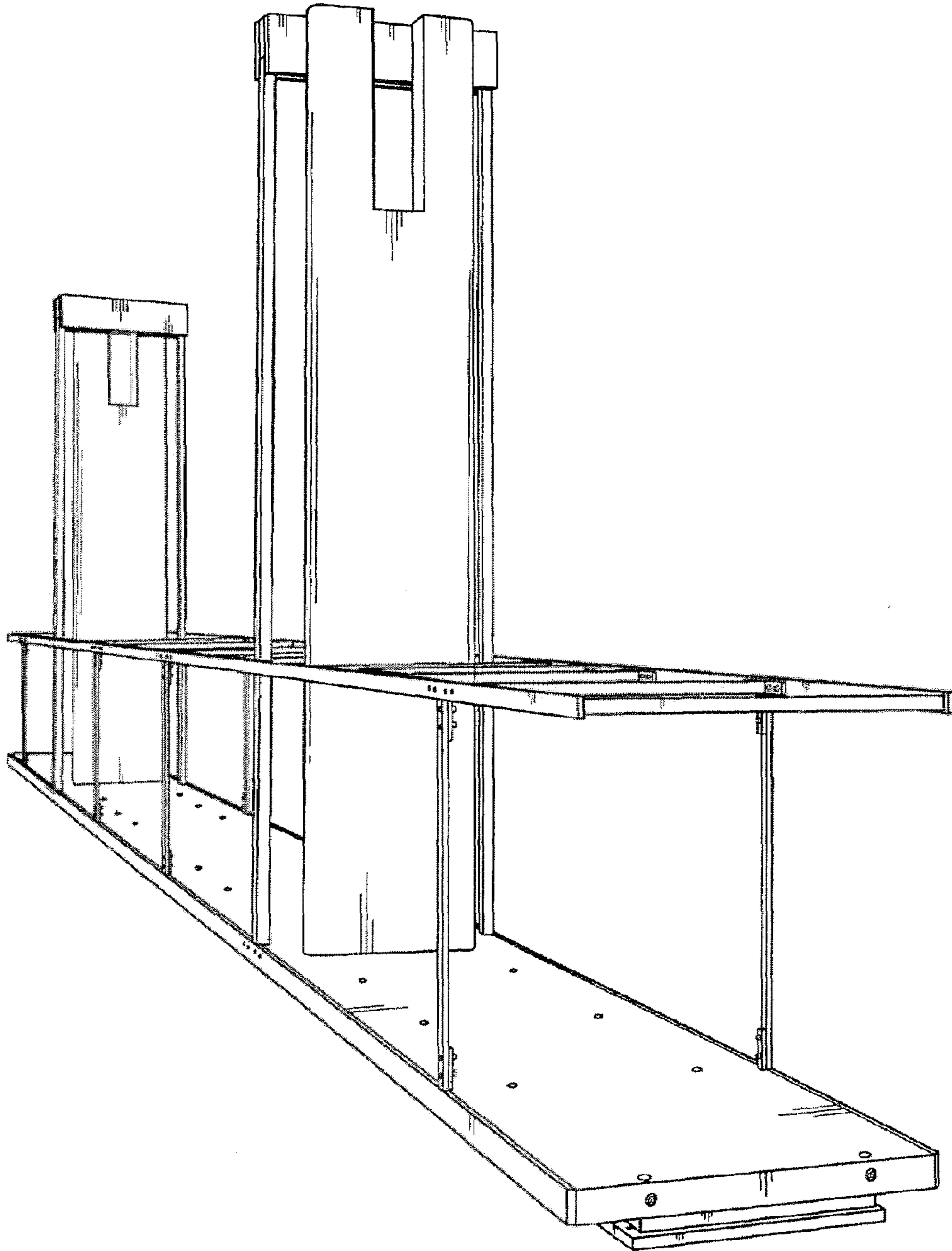


Fig. 1

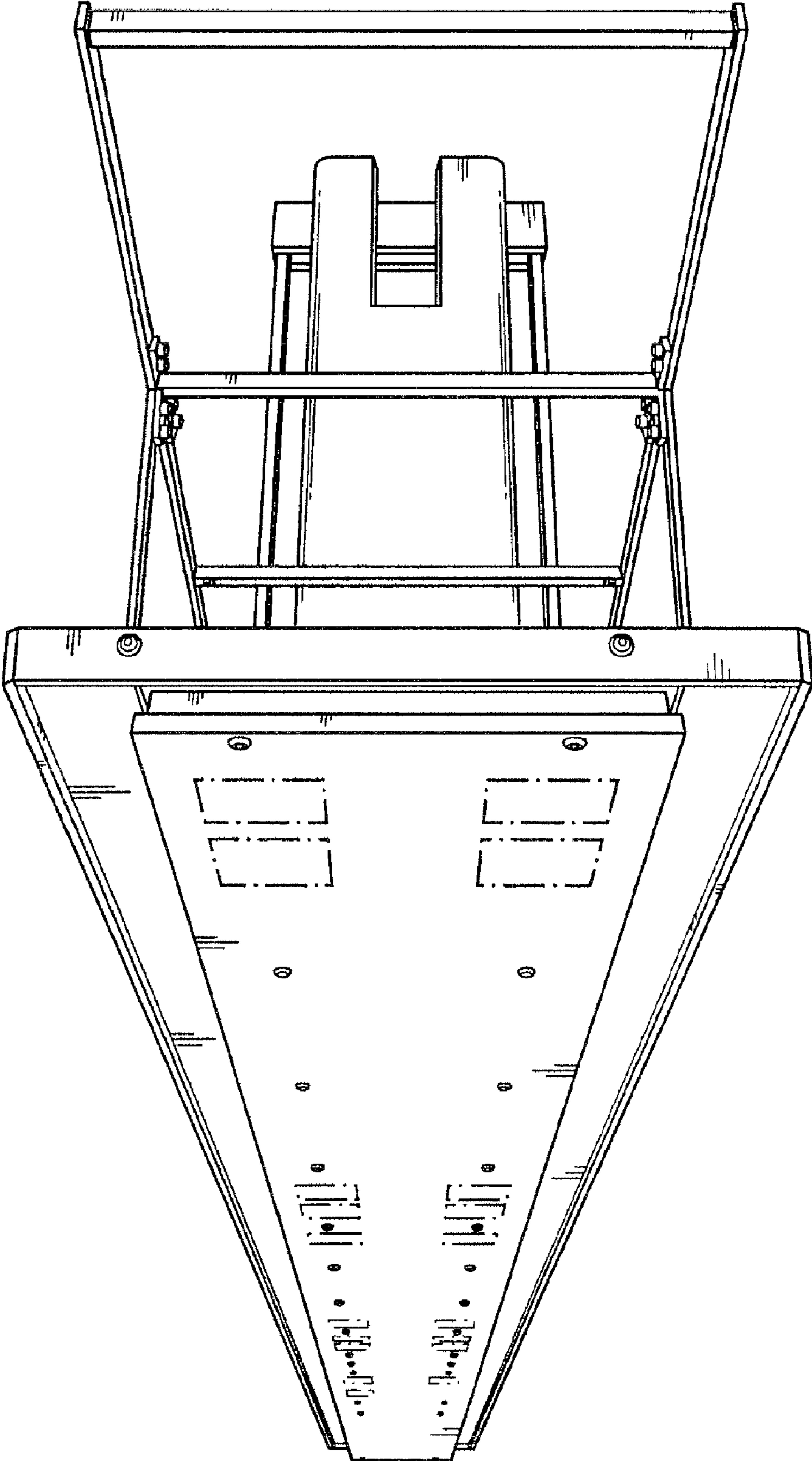


Fig. 2



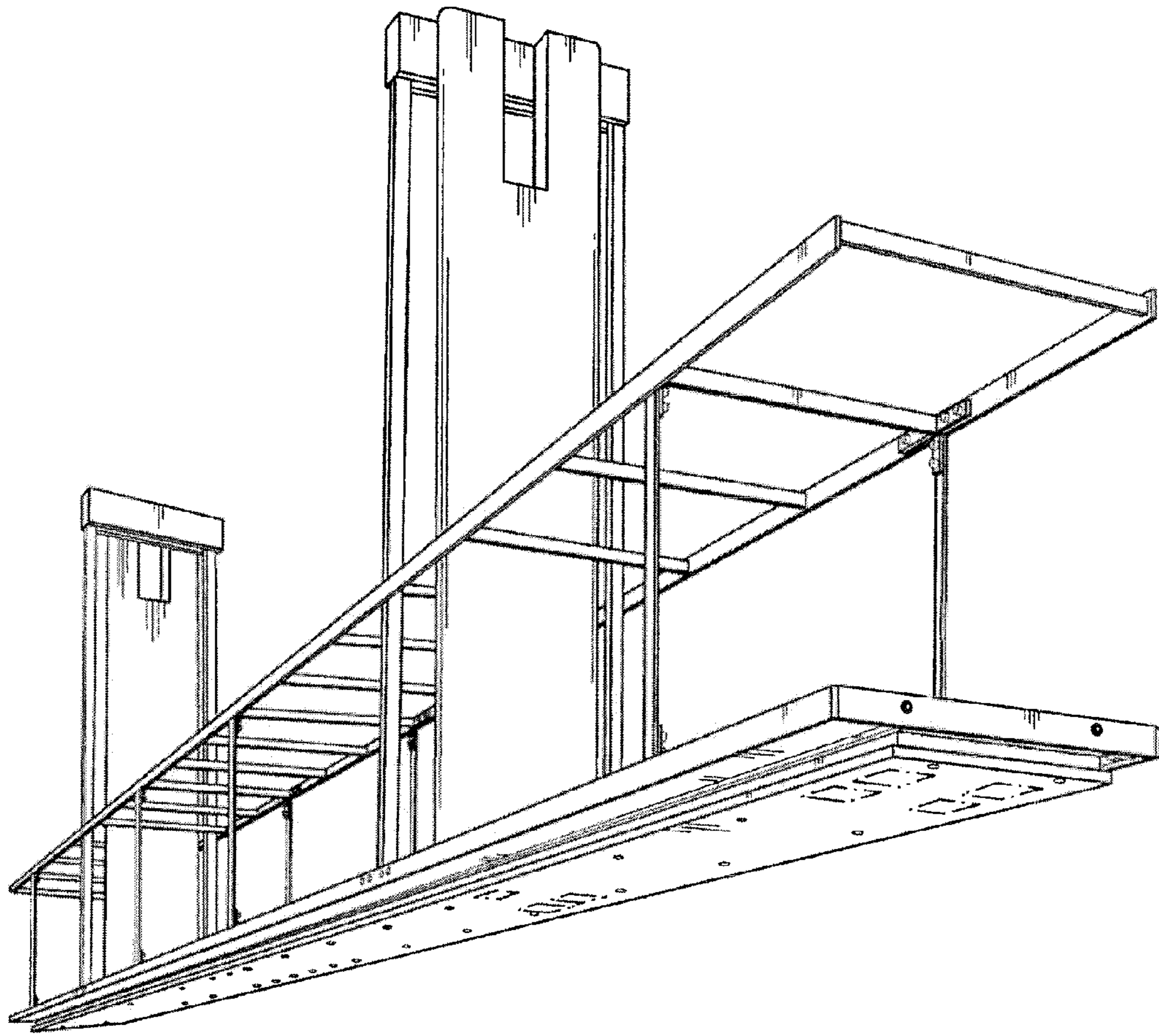


Fig. 3

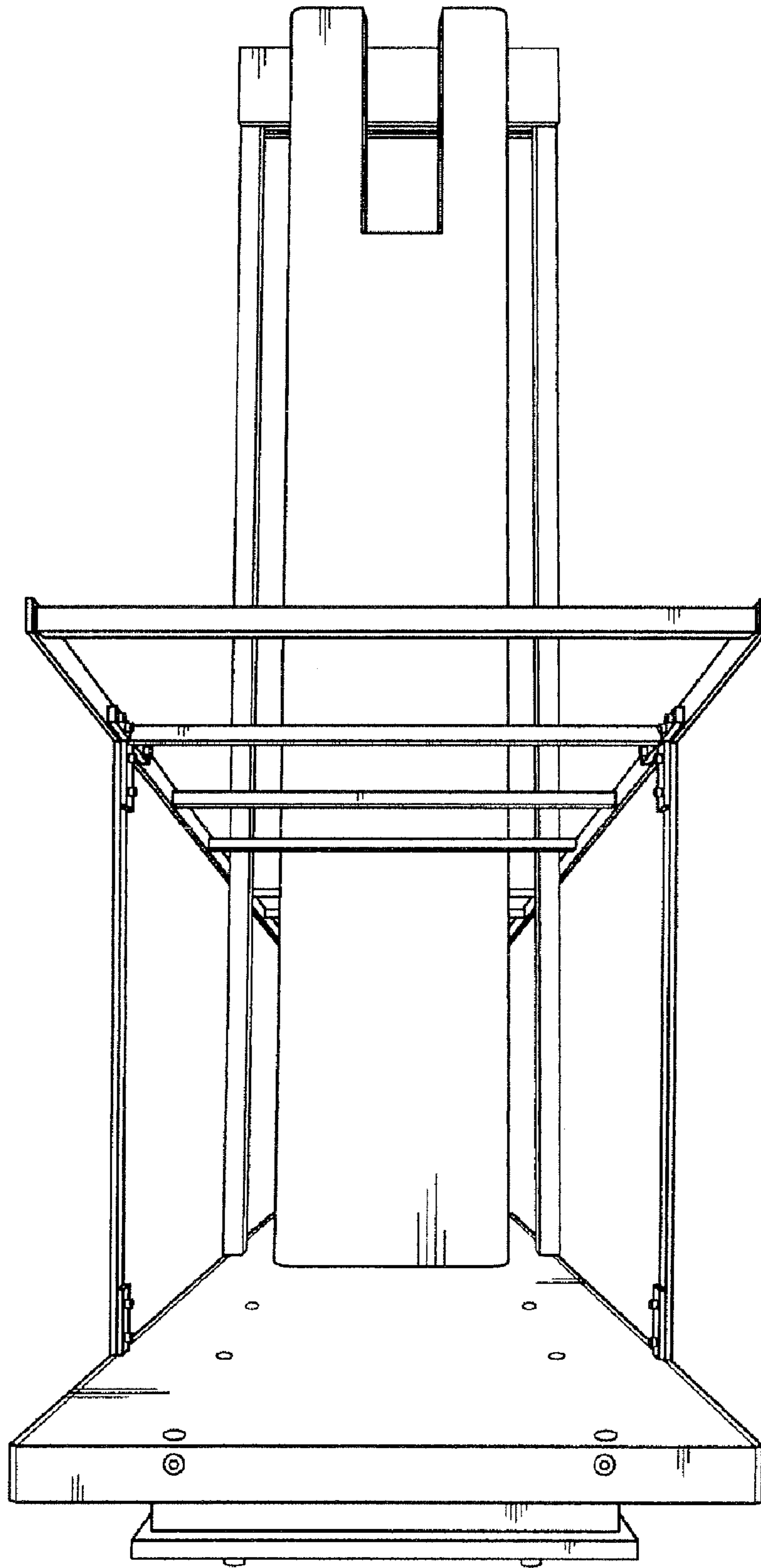


Fig. 4

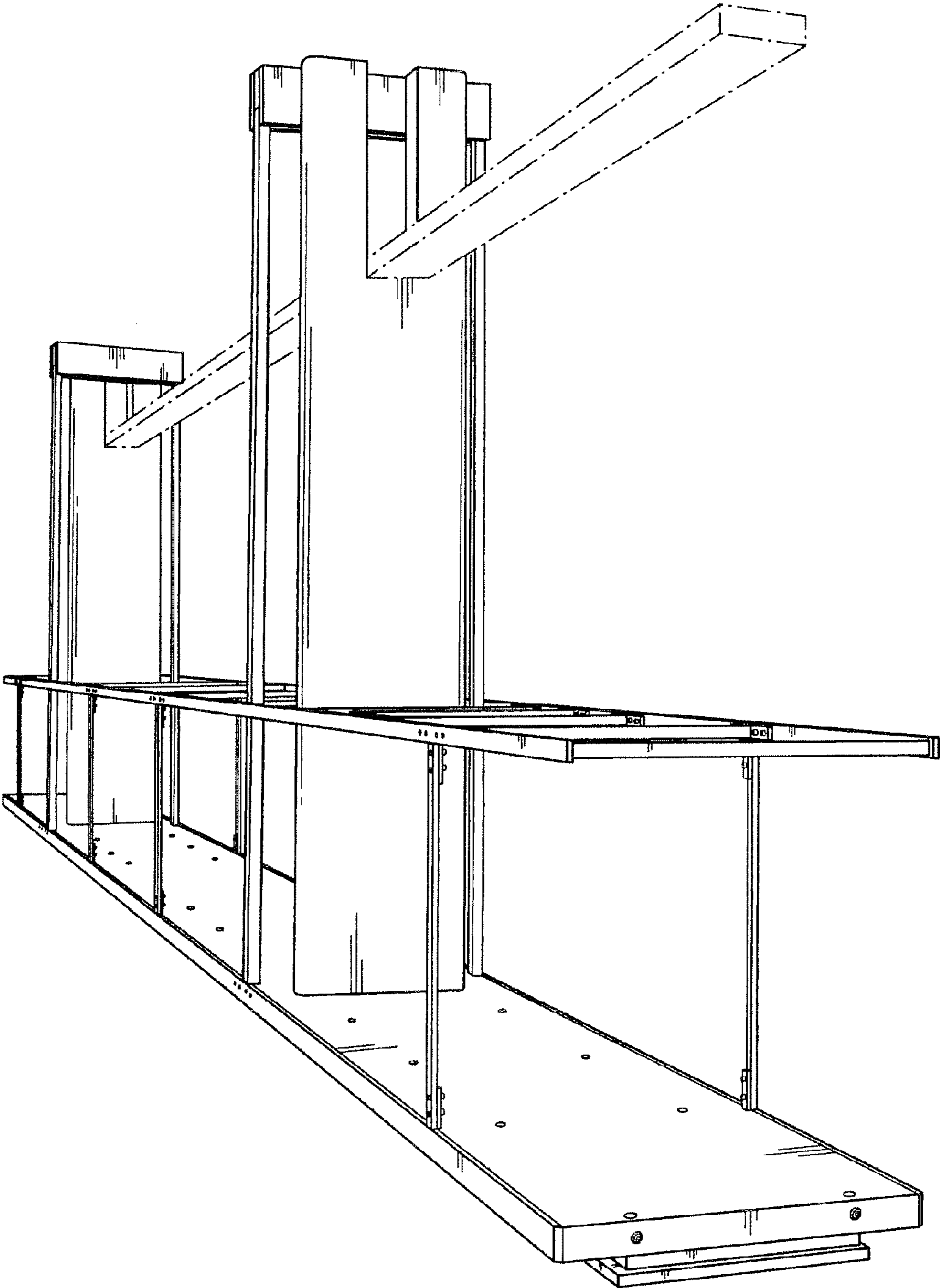


Fig. 5

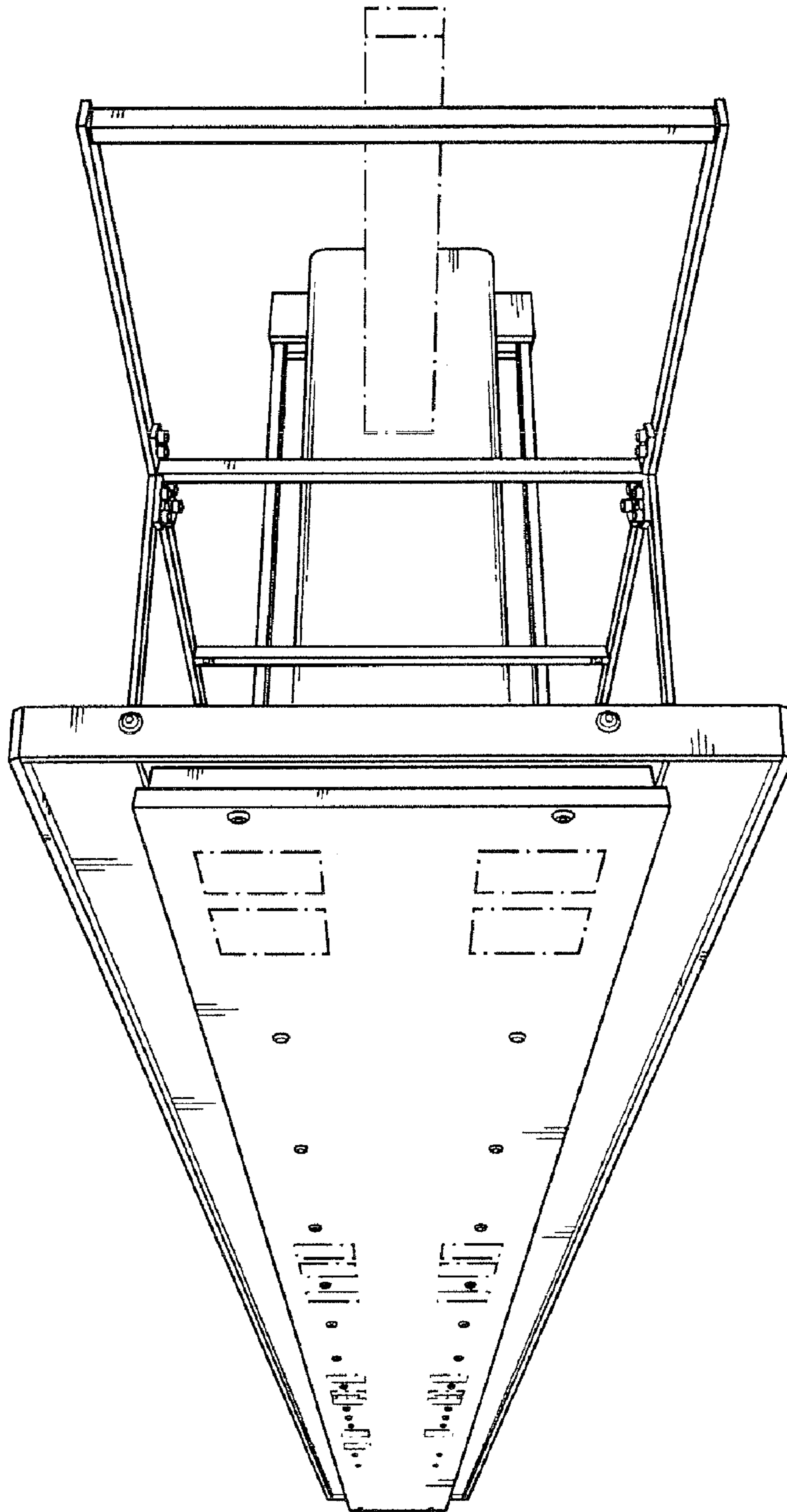


Fig. 6



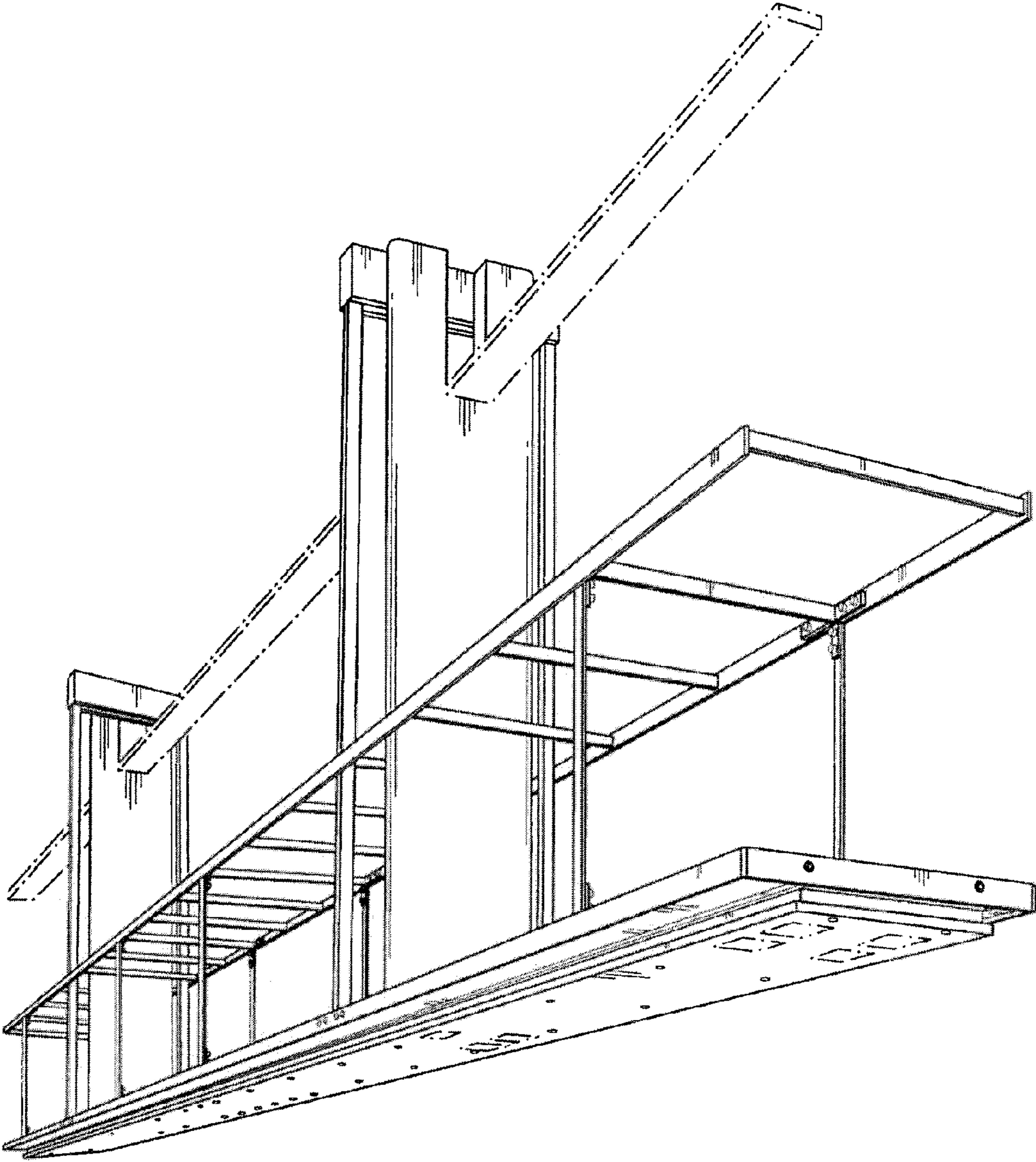


Fig. 7



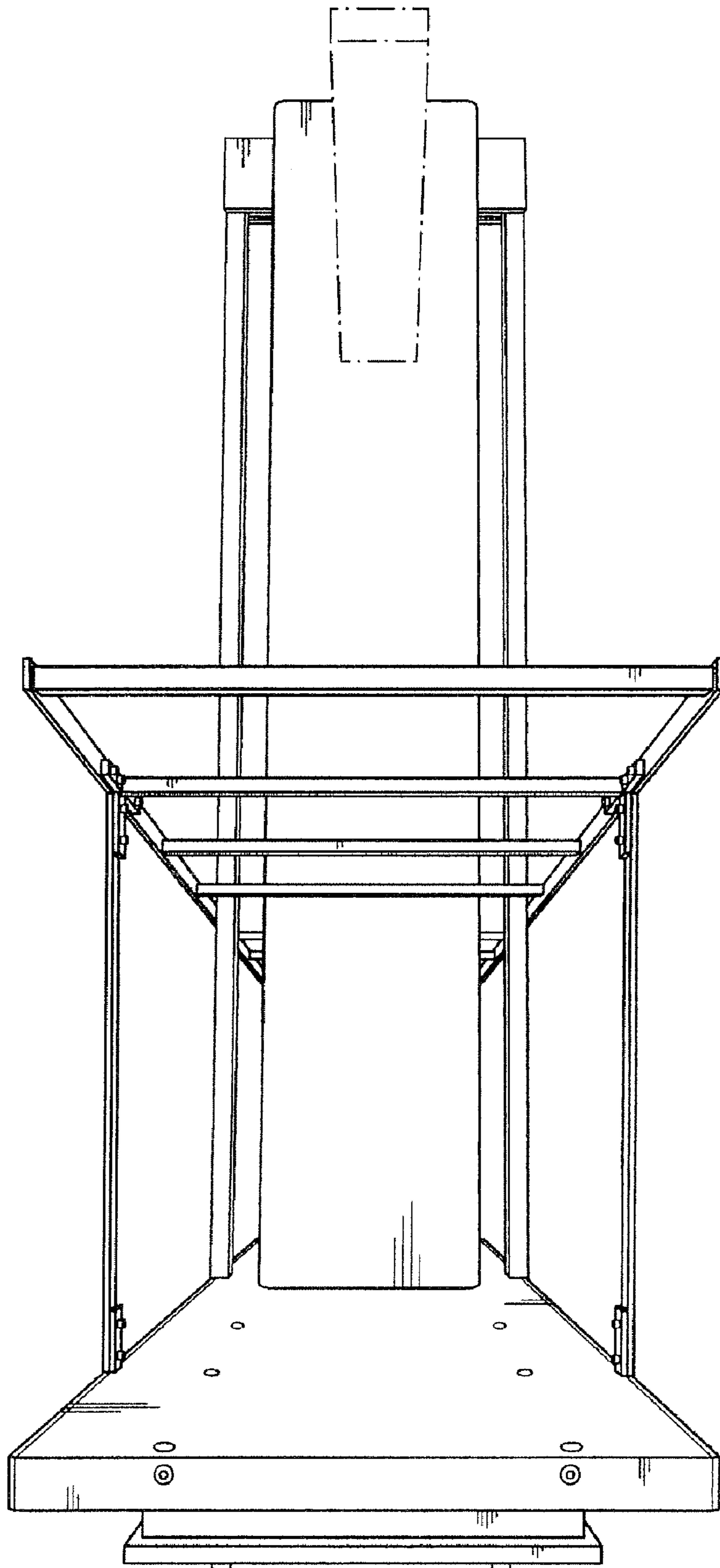


Fig. 8