



US00D613976S

(12) **United States Design Patent**
Haaf

(10) **Patent No.:** **US D613,976 S**
(45) **Date of Patent:** **** Apr. 20, 2010**

(54) **BENCH BACK**

(75) Inventor: **James Haaf**, Tampa, FL (US)

(73) Assignee: **Metropolitan Advertising Company**,
Tampa, FL (US)

(**) Term: **14 Years**

(21) Appl. No.: **29/321,164**

(22) Filed: **Jul. 11, 2008**

(51) **LOC (9) Cl.** **06-01**

(52) **U.S. Cl.** **D6/502**

(58) **Field of Classification Search** D6/334,
D6/349, 355, 359, 369, 370, 371, 381–383,
D6/491, 492, 500–503; 297/94, 181, 233,
297/234, 235, 283.2, 311, 351, 353, 354.1,
297/354.12, 354.13, 445.1, 451.1, 451.8,
297/451.9; 5/12.1, 12.2

See application file for complete search history.

(56) **References Cited**

U.S. PATENT DOCUMENTS

D263,353 S *	3/1982	Beals	D6/370
D313,128 S *	12/1990	Serafini	D6/338
D314,677 S *	2/1991	Hanna	D6/381
D327,584 S *	7/1992	Braxton, III	D6/347
D336,796 S *	6/1993	Chang	D6/370
D370,570 S *	6/1996	Green et al.	D6/370
D384,512 S *	10/1997	Skalka	D6/370
D386,012 S *	11/1997	Skalka	D6/370
D473,391 S *	4/2003	Haney et al.	D6/370

D482,885 S *	12/2003	Chipman	D6/370
D498,079 S *	11/2004	Messier	D6/381
D601,823 S *	10/2009	Skalka	D6/381

* cited by examiner

Primary Examiner—Sandra Snapp

(74) *Attorney, Agent, or Firm*—Eric R. Pellenbarg; Phelps
Dunbar LLP

(57) **CLAIM**

The ornamental design for a bench back, as shown and described.

DESCRIPTION

FIG. 1 is a perspective view of a bench back comprising my design and illustrating unclaimed elements (seat and frame);

FIG. 2 is a perspective view of a bench back comprising my design;

FIG. 3 is a front end view of a bench back comprising my design;

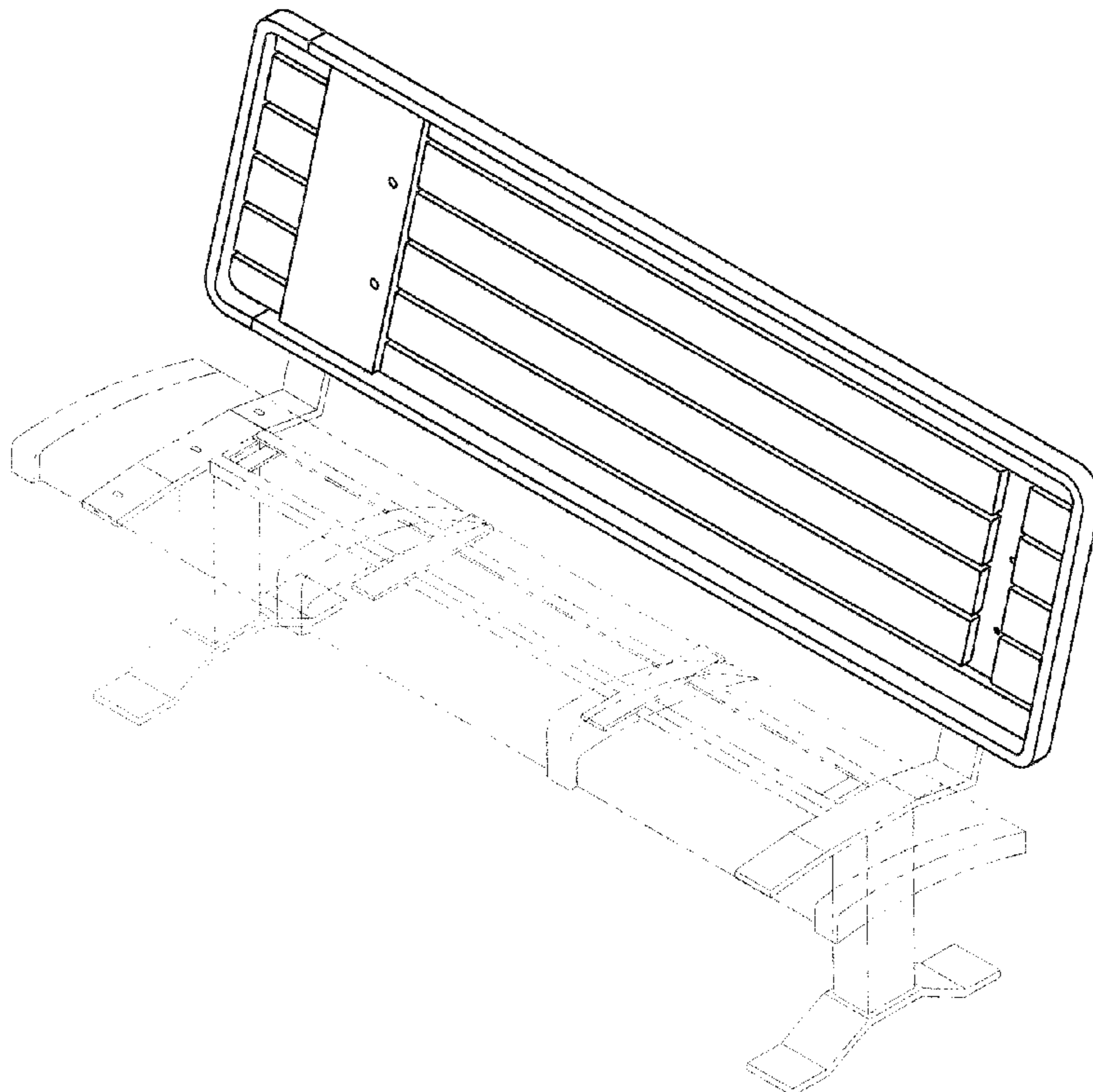
FIG. 4 is a top end view of a bench back comprising my design;

FIG. 5 is a back view of a bench back comprising my design; and,

FIG. 6 is a left end view of a bench back comprising my design.

The broken line showing of the bench seat and bench frame in FIG. 1 is included for the purpose of illustrating environmental structure and forms no part of the claimed design.

1 Claim, 2 Drawing Sheets



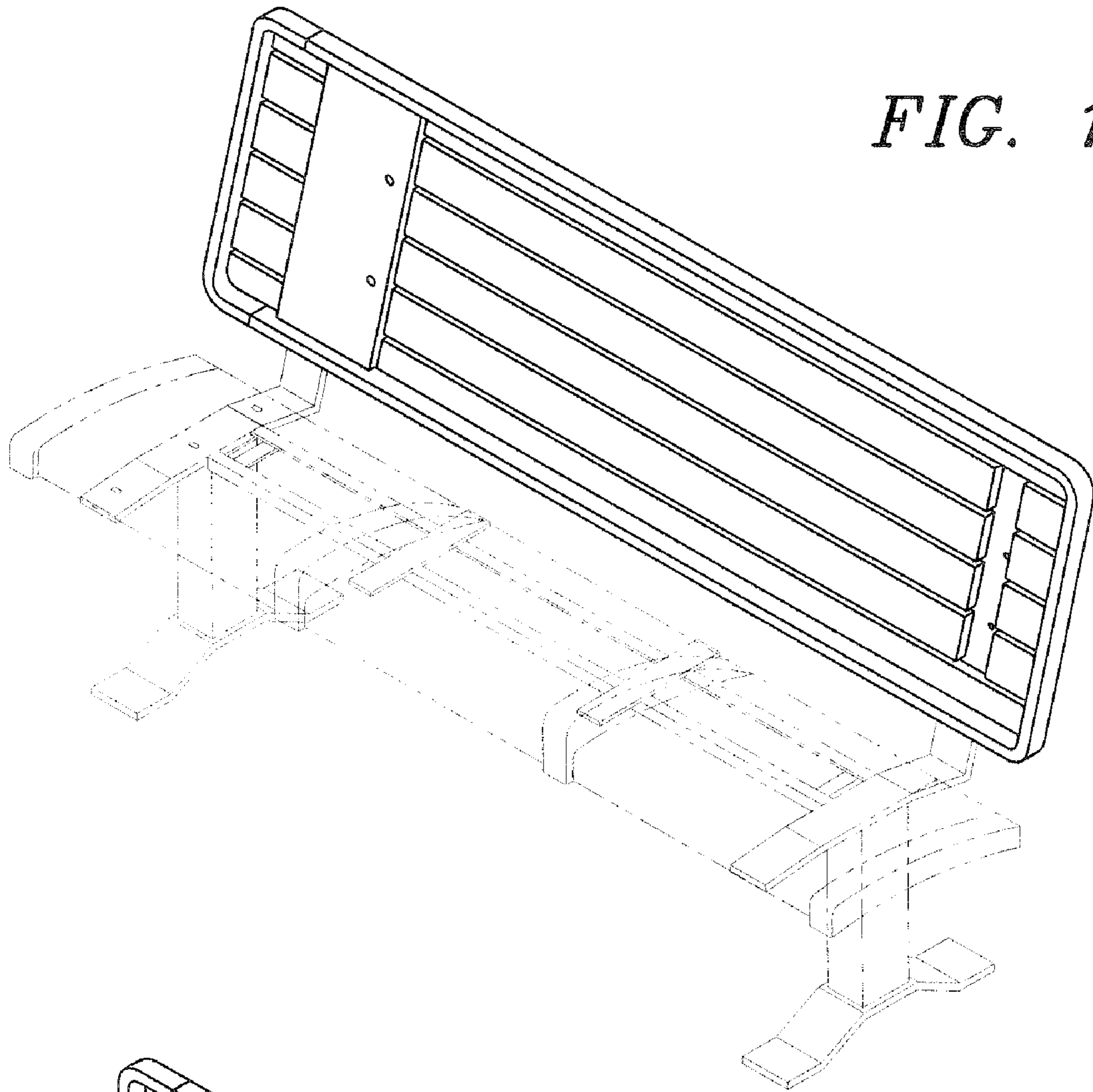


FIG. 1

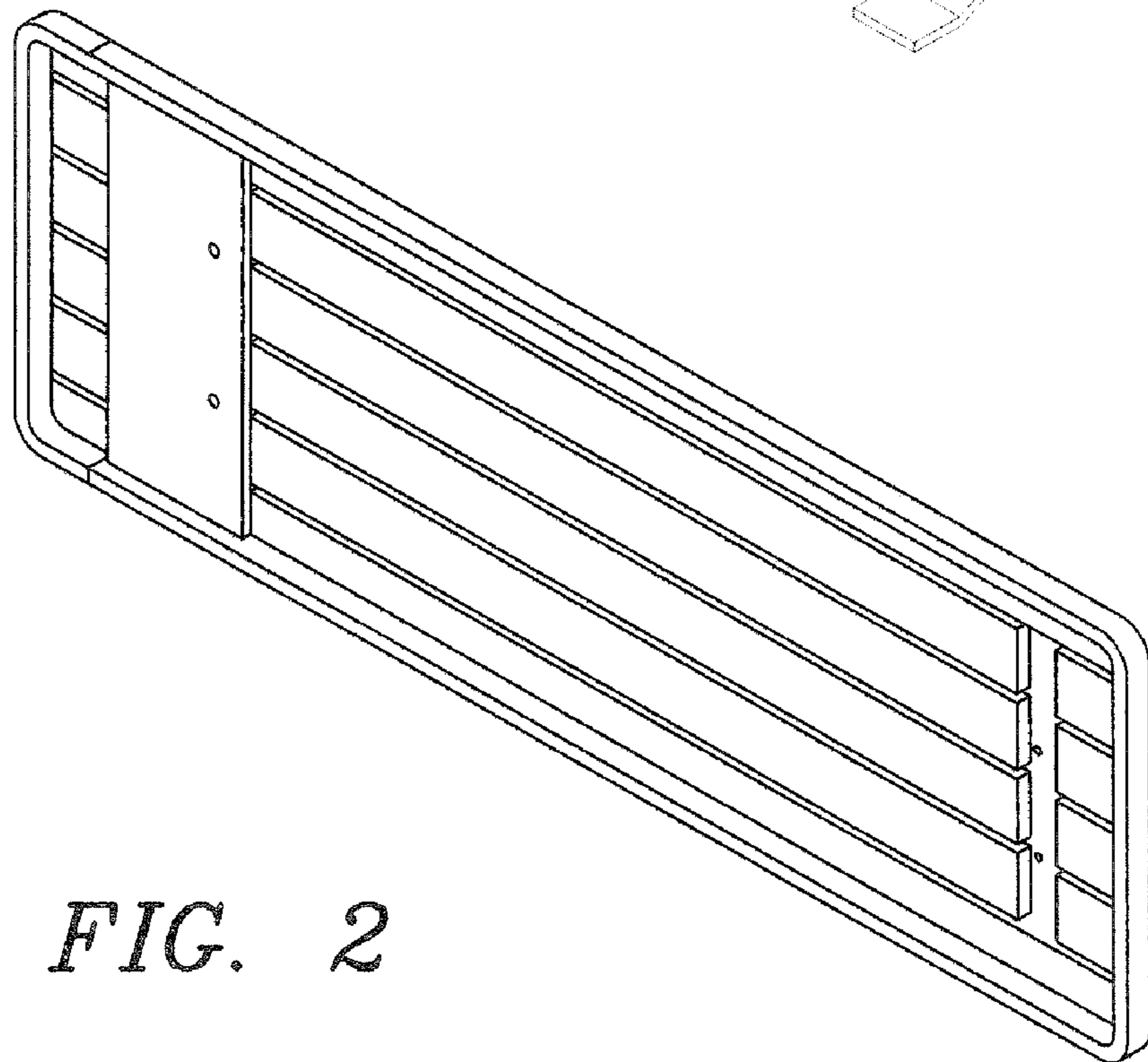


FIG. 2

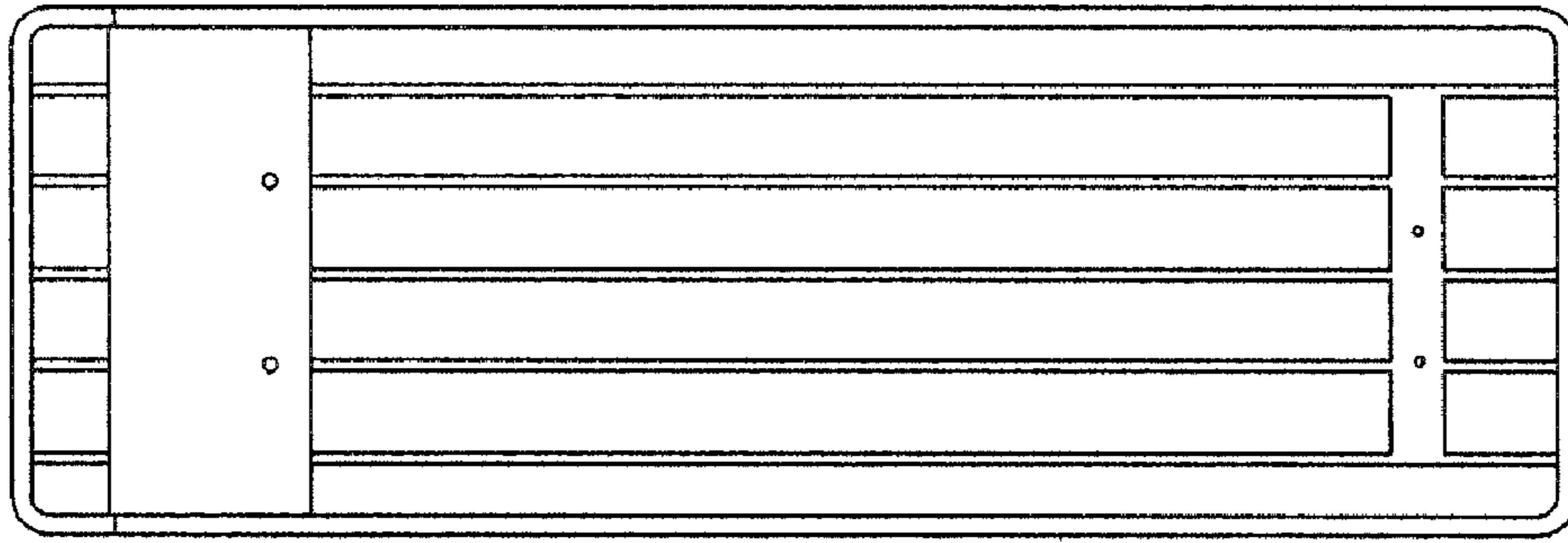


FIG. 3

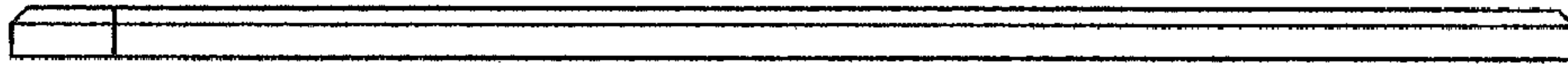


FIG. 4

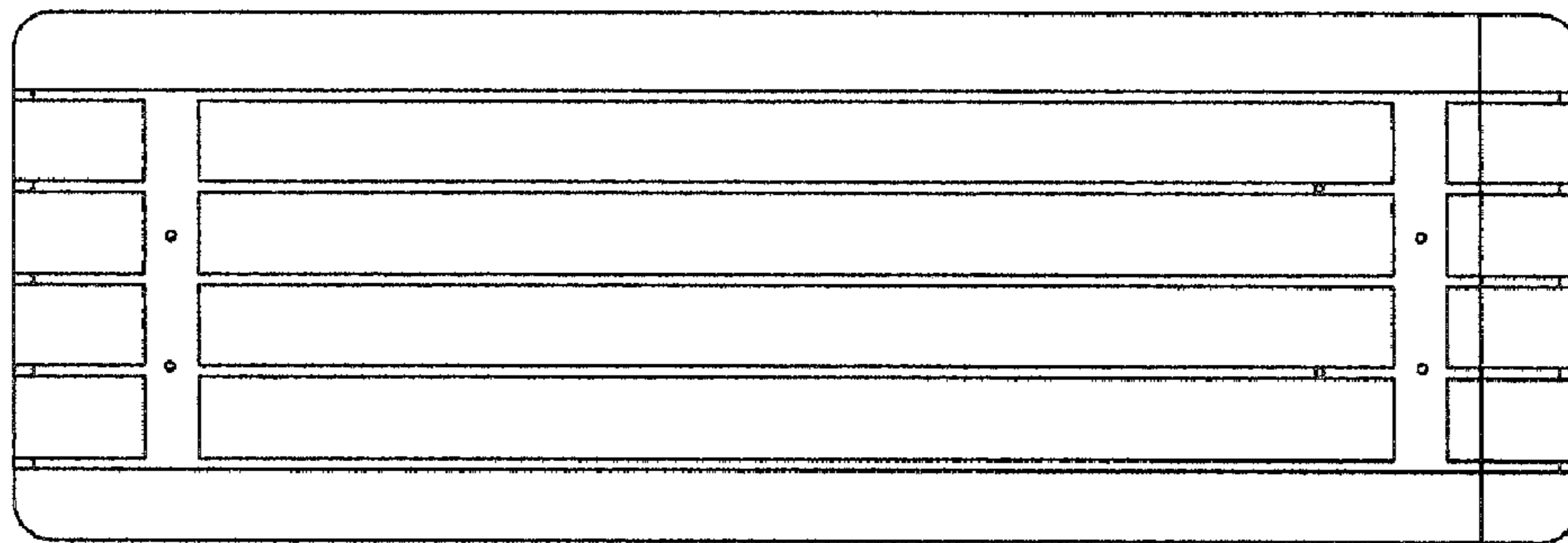


FIG. 5

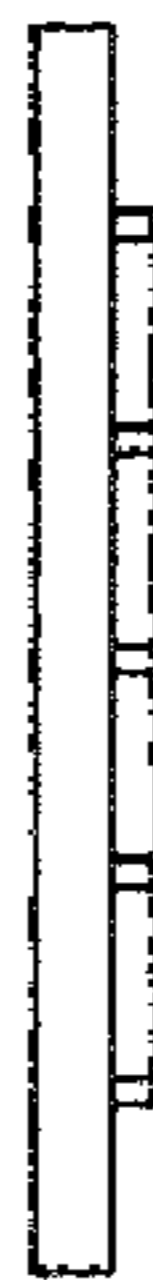


FIG. 6