



US00D613974S

(12) **United States Design Patent**
Muller

(10) **Patent No.:** **US D613,974 S**

(45) **Date of Patent:** **** Apr. 20, 2010**

(54) **TABLE BASE**

D578,322 S 10/2008 Muller D6/495
D578,323 S 10/2008 Muller D6/495

(75) Inventor: **Carl A. Muller**, Huntington Beach, CA
(US)

* cited by examiner

(73) Assignee: **Elite Manufacturing Corporation**,
Santa Fe Springs, CA (US)

Primary Examiner—Janice E Seeger

(74) *Attorney, Agent, or Firm*—Heslin Rothenberg Farley &
Mesiti P.C.

(**) Term: **14 Years**

(57) **CLAIM**

(21) Appl. No.: **29/341,639**

The ornamental design for a table base, as shown and
described.

(22) Filed: **Aug. 10, 2009**

(51) **LOC (9) Cl.** **06-03**

(52) **U.S. Cl.** **D6/495; D6/482**

(58) **Field of Classification Search** D6/480–489,
D6/511, 495–499, 429–431; 108/150, 152,
108/153.1, 157.1, 161; 248/188, 188.1, 188.7,
248/188.8

See application file for complete search history.

DESCRIPTION

FIG. 1 is an isometric view of a table base in accordance with
the new design;

FIG. 2 is a front elevational view thereof;

FIG. 3 is a rear elevational view thereof;

FIG. 4 is a right side elevational view thereof;

FIG. 5 is a left side elevational view thereof;

FIG. 6 is a top view thereof;

FIG. 7 is an isometric view of an alternative embodiment of
the table base in accordance with the new design;

FIG. 8 is a front elevational view thereof;

FIG. 9 is a rear elevational view thereof;

FIG. 10 is a right side elevational view thereof;

FIG. 11 is a left side elevational view thereof; and,

FIG. 12 is a top view thereof.

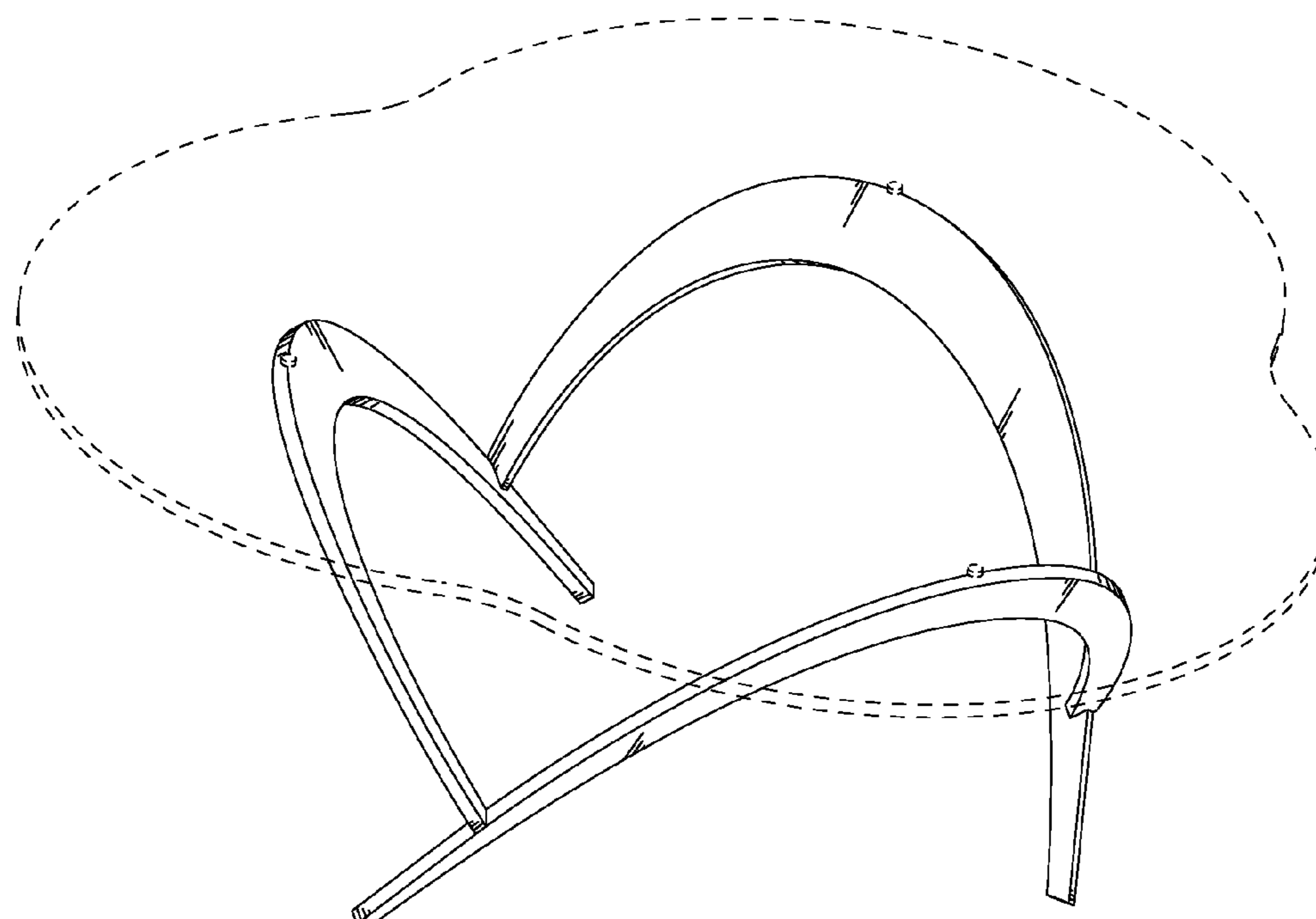
The broken lines in the figures are for illustrative purposes
only and form no part of the claimed design.

(56) **References Cited**

U.S. PATENT DOCUMENTS

D138,821 S	*	9/1944	Larson	D6/484
D333,395 S	*	2/1993	Loznikov	D6/495
D337,677 S	*	7/1993	Loznikov	D6/495
D370,581 S	*	6/1996	Loznikov	D6/495
D433,254 S		11/2000	Muller	D6/482
D469,990 S		2/2003	Muller	D6/486
D502,825 S		3/2005	Muller	D6/497
D509,385 S		9/2005	Muller	D6/480
D563,123 S		3/2008	Muller	D6/495
D566,996 S		4/2008	Muller	D6/495
D566,997 S		4/2008	Muller	D6/495
D573,376 S		7/2008	Muller	D6/495

1 Claim, 12 Drawing Sheets



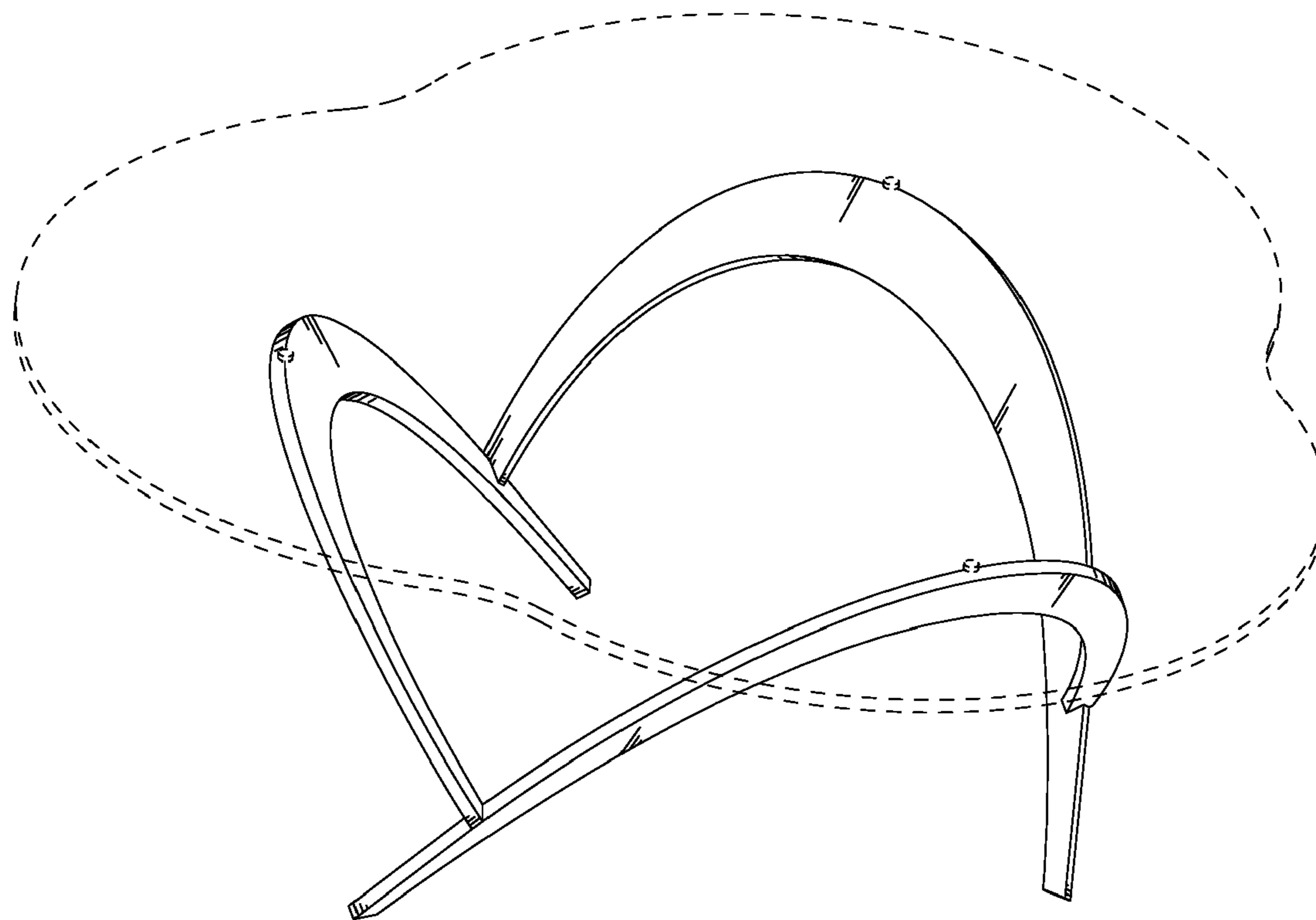


FIG. 1

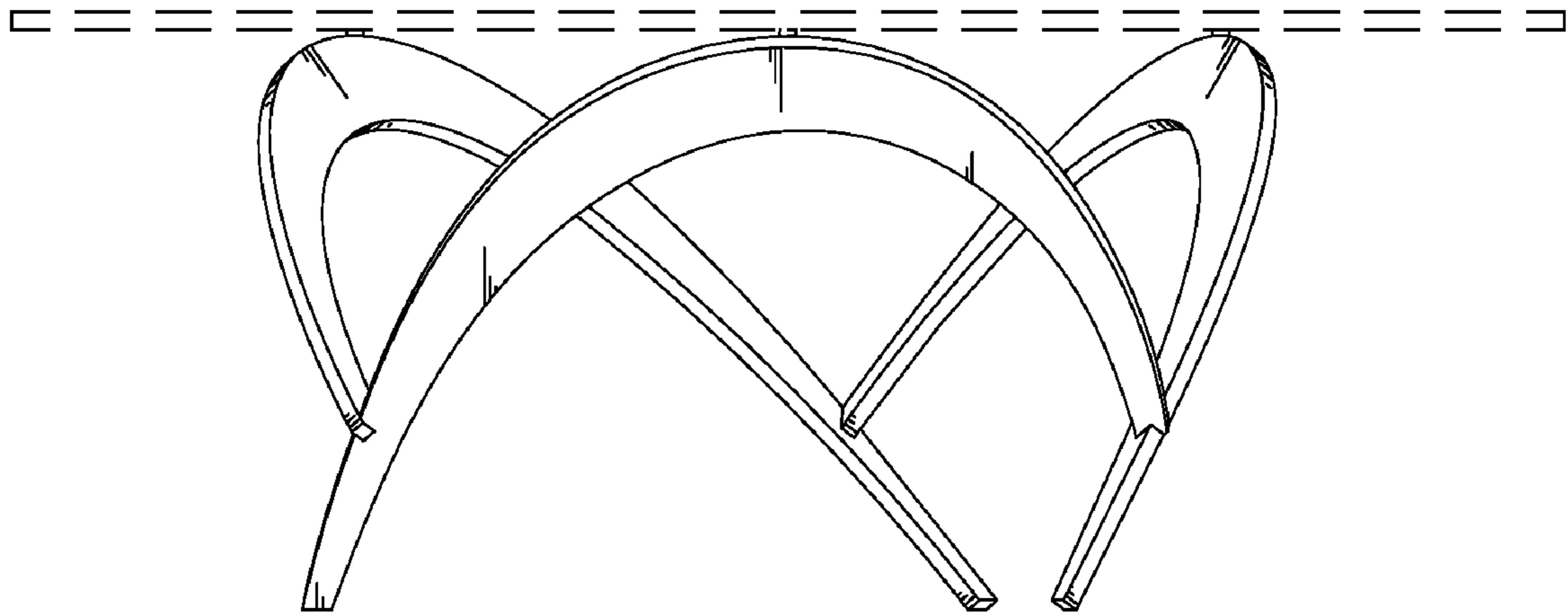


FIG. 2

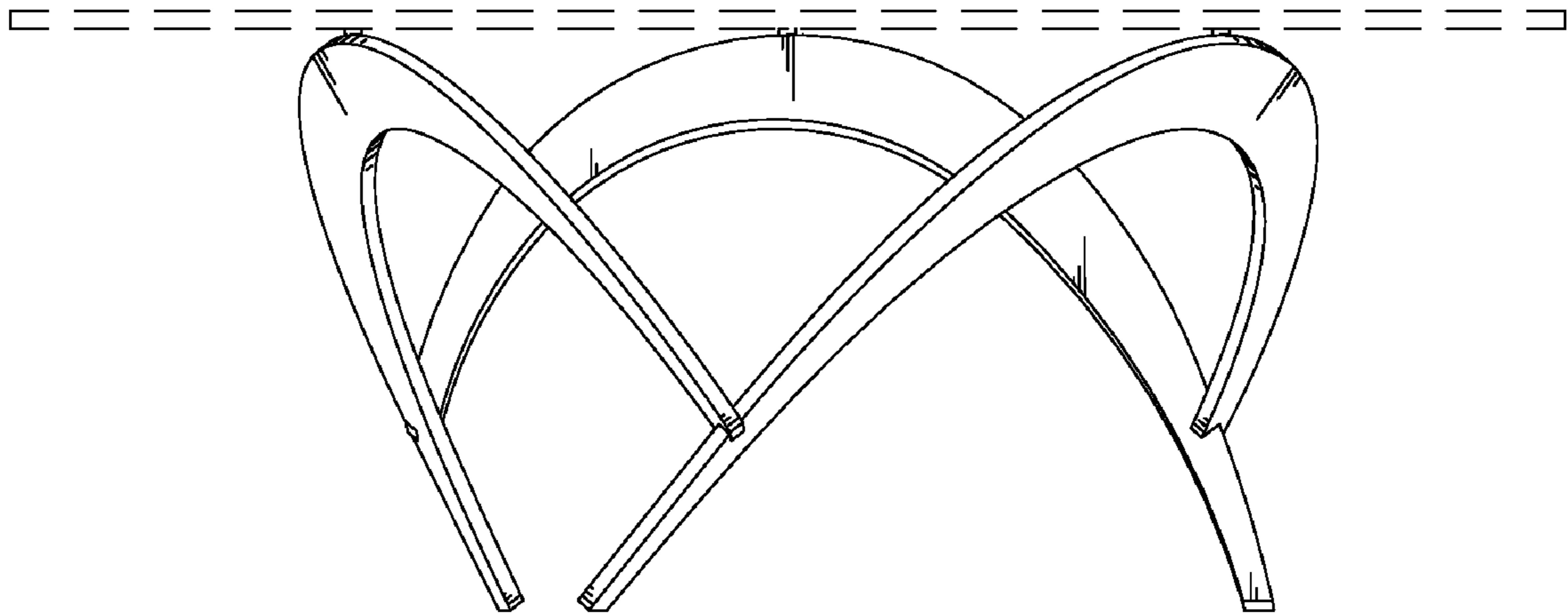


FIG. 3

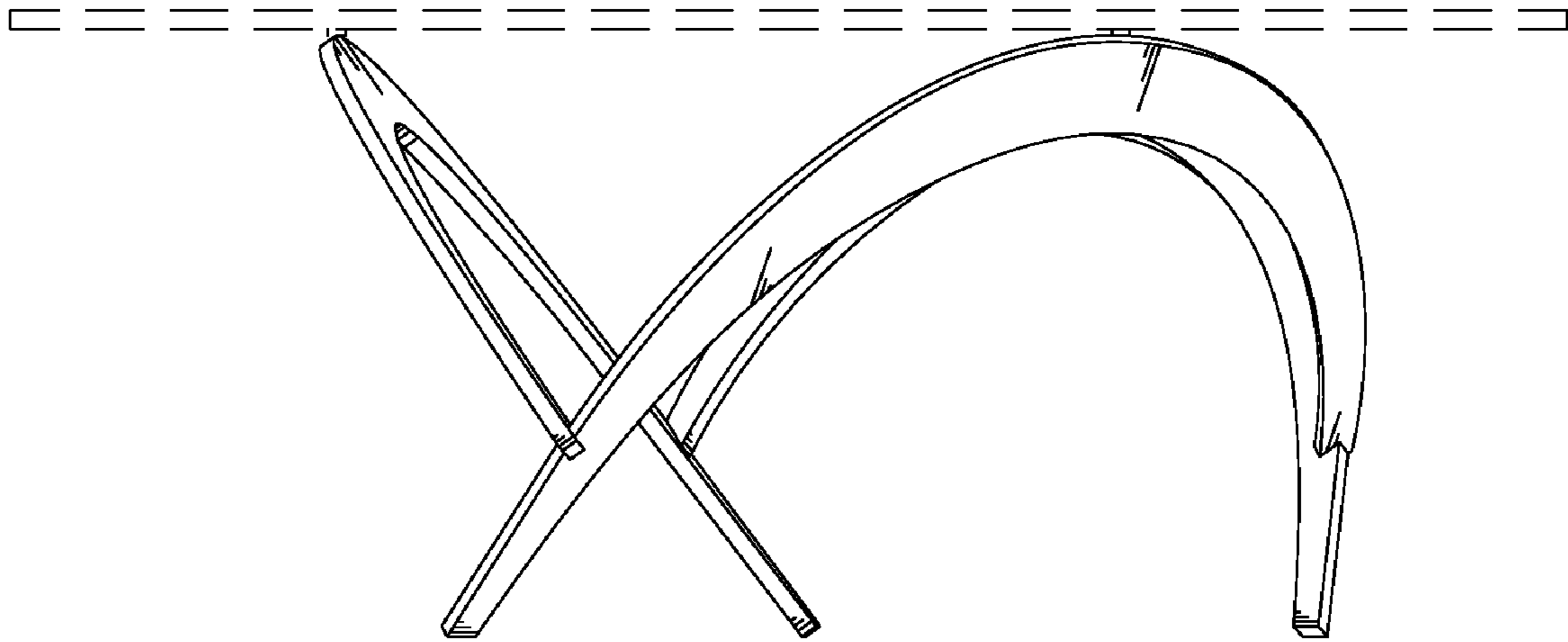


FIG. 4

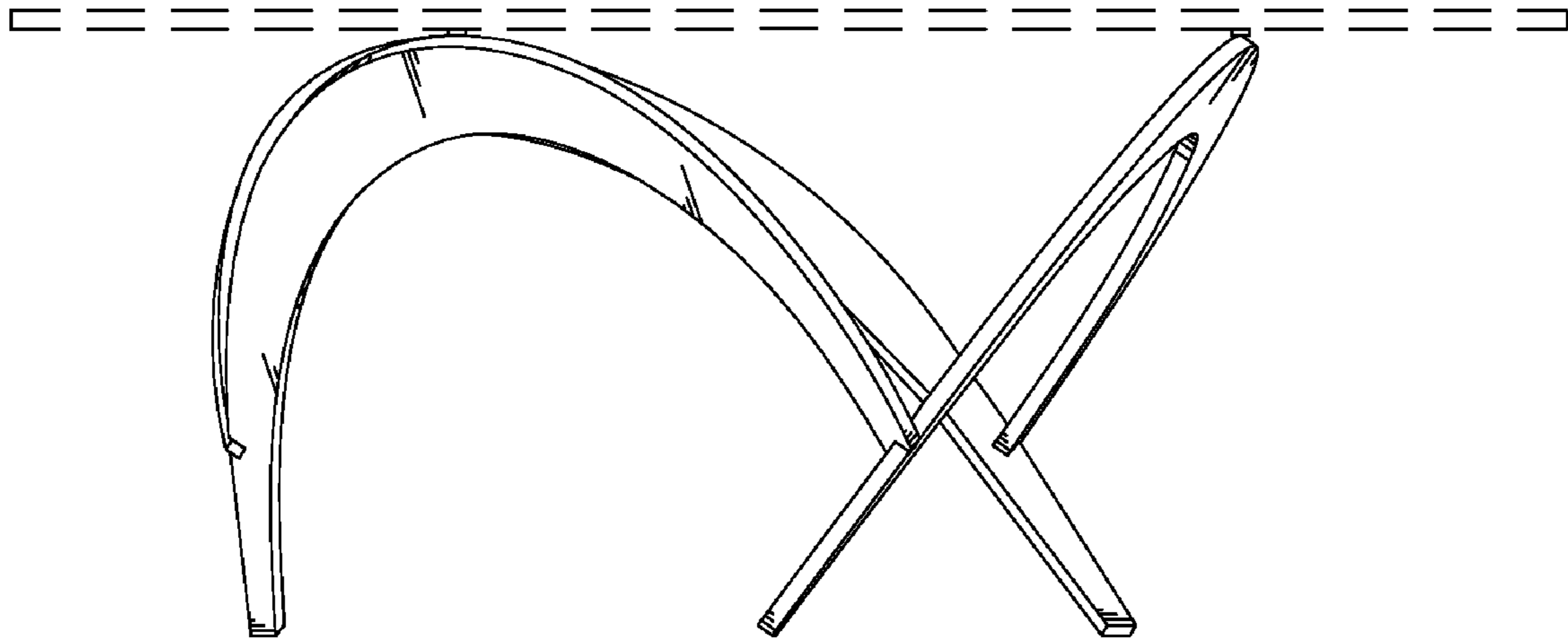


FIG. 5

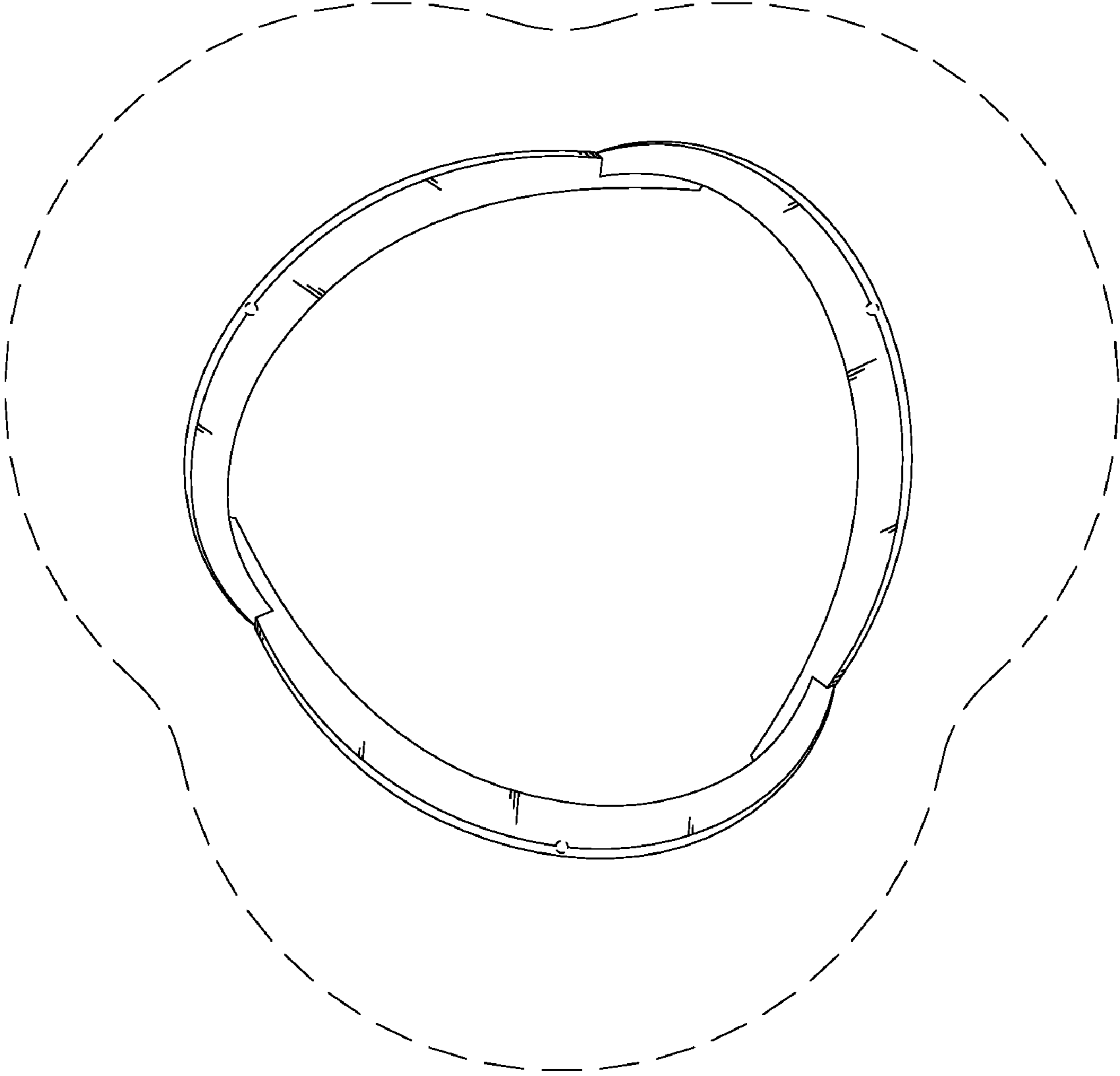


FIG. 6

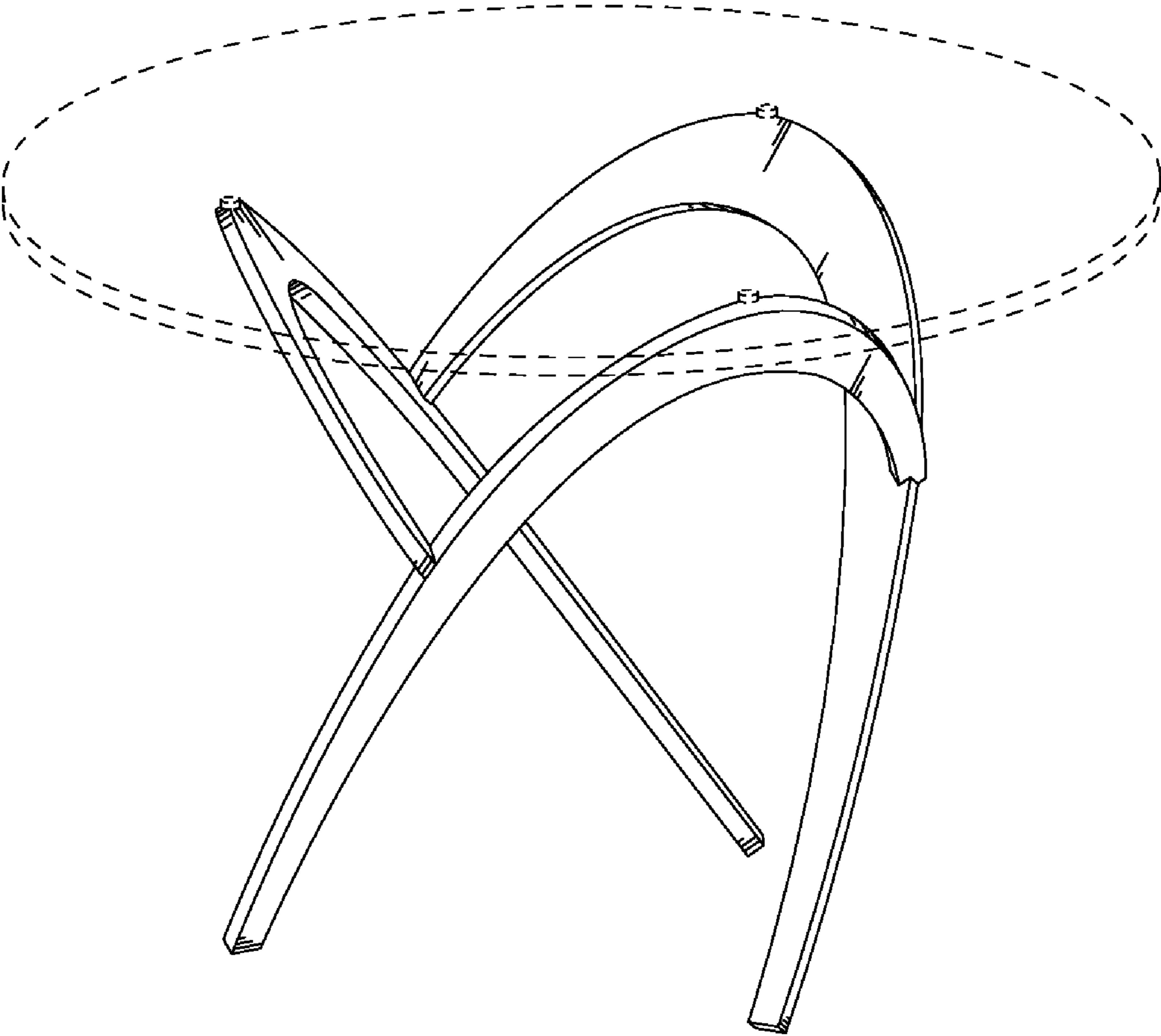


FIG. 7

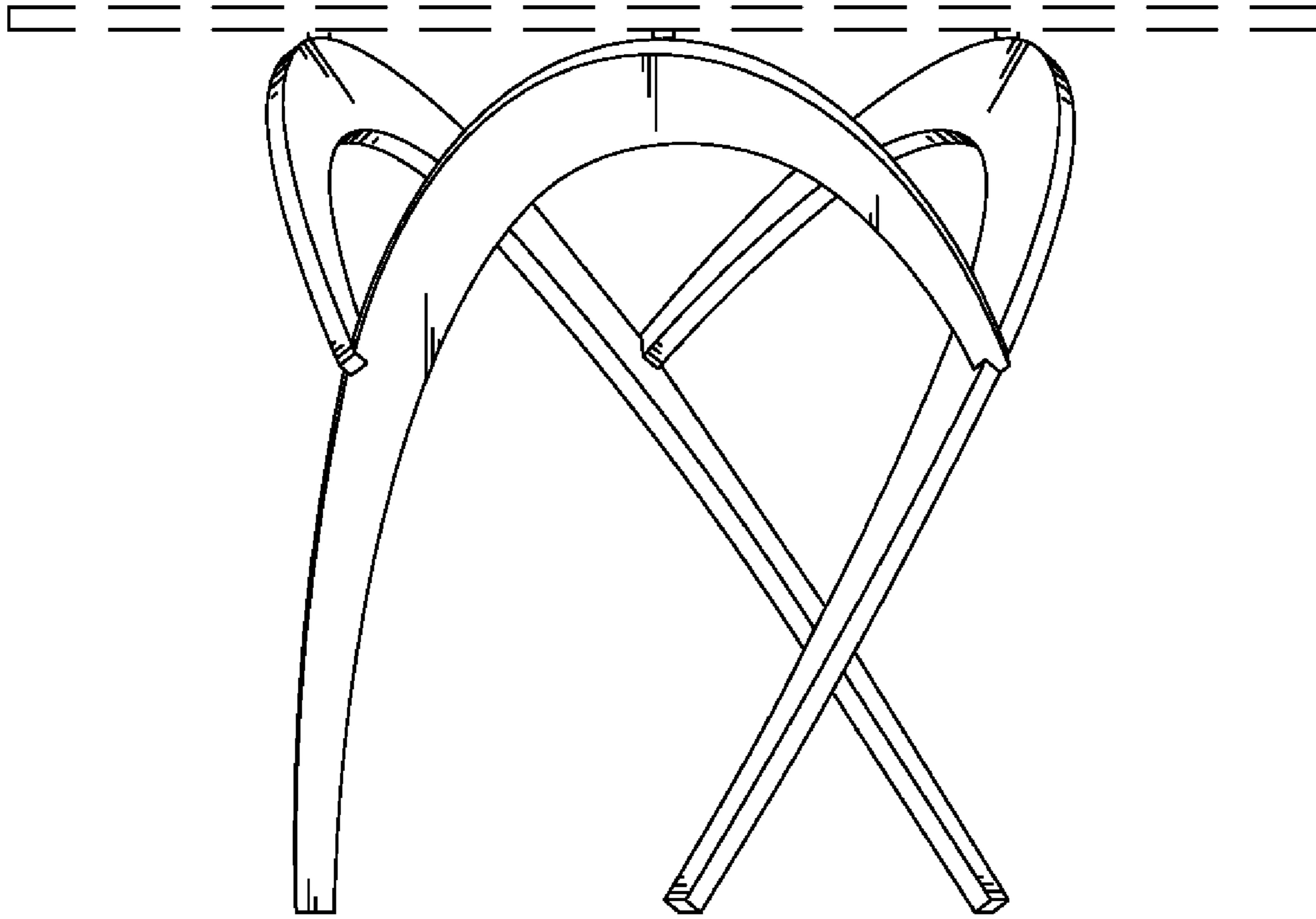


FIG. 8

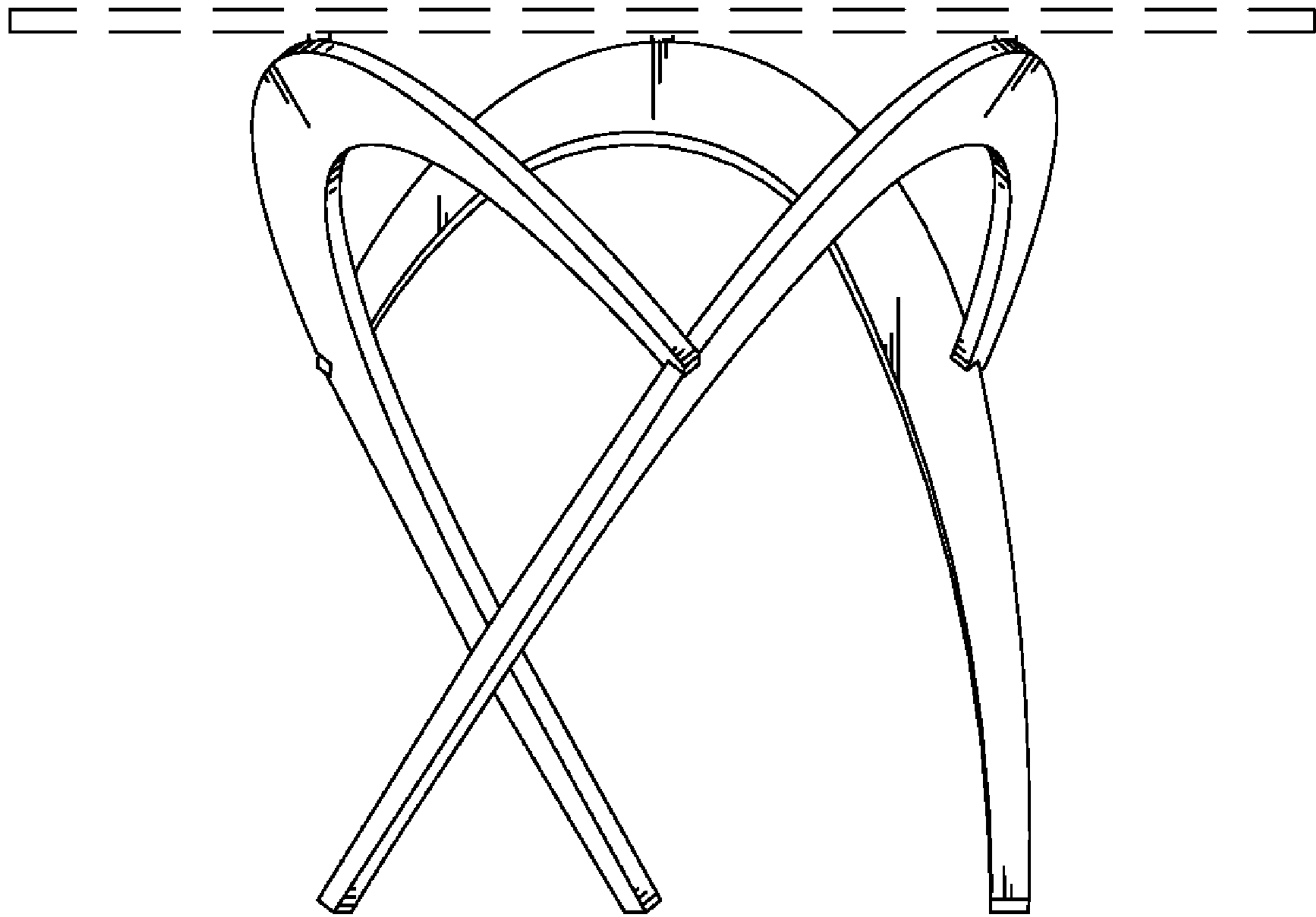


FIG. 9

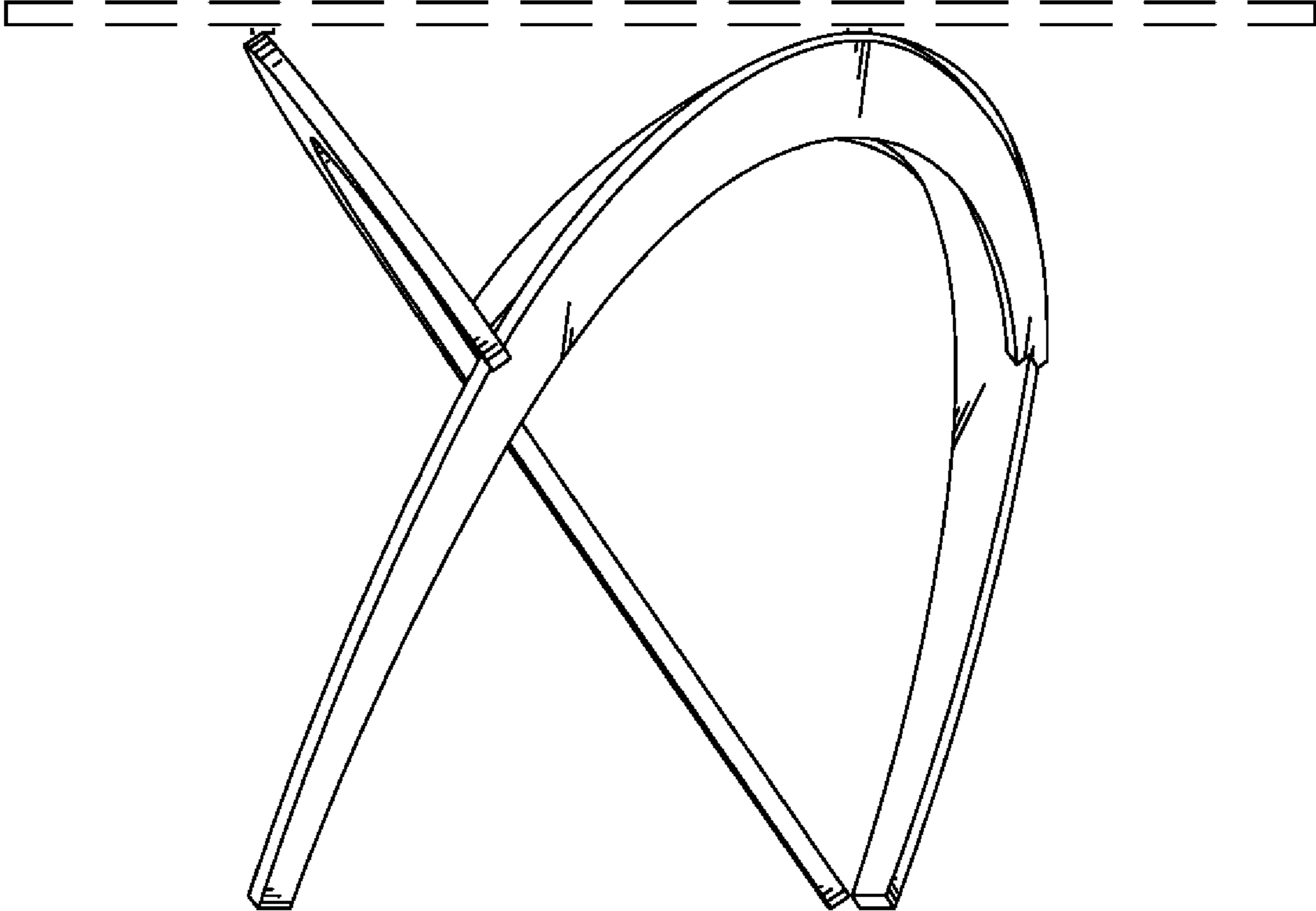


FIG. 10

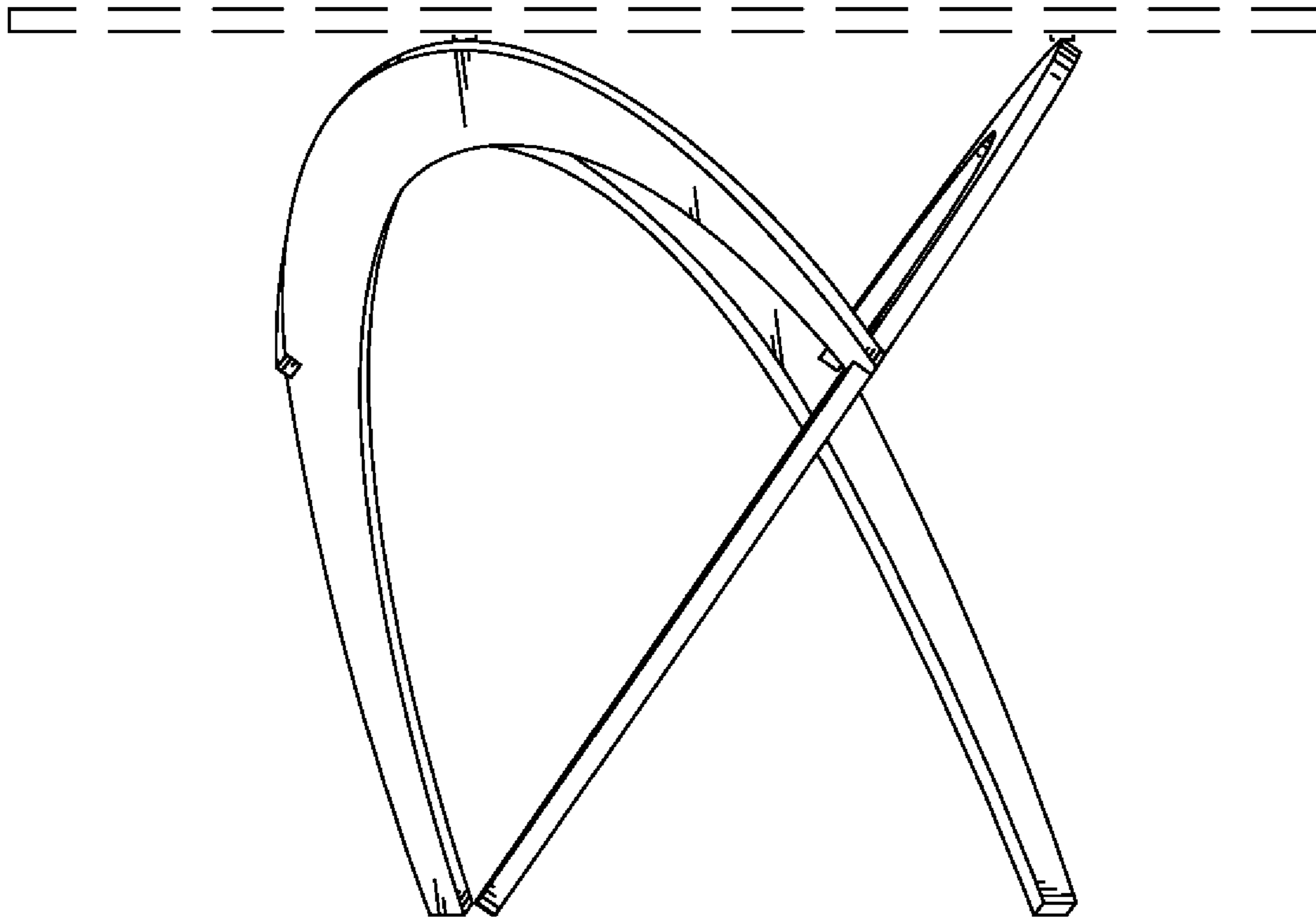


FIG. 11

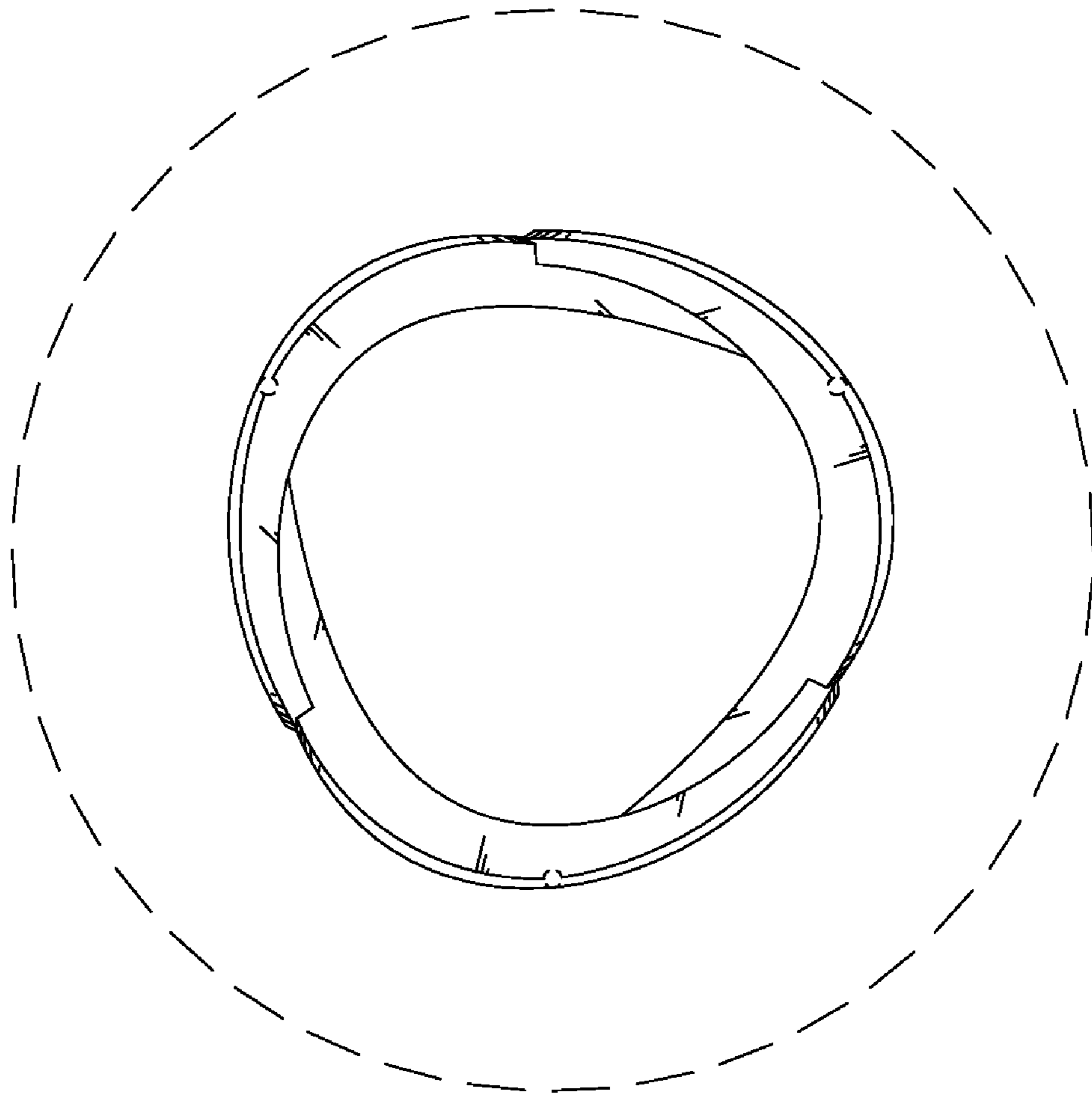


FIG. 12