



US00D613972S

(12) **United States Design Patent**  
**Hand**

(10) **Patent No.:** **US D613,972 S**  
(45) **Date of Patent:** **\*\* \*Apr. 20, 2010**

(54) **TOOL CABINET**

(75) Inventor: **Jim Hand**, Glen Ellyn, IL (US)

(73) Assignee: **Waterloo Industries, Inc.**, Oak Creek, WI (US)

(\*) Notice: This patent is subject to a terminal disclaimer.

(\*\*) Term: **14 Years**

(21) Appl. No.: **29/273,579**

(22) Filed: **Mar. 8, 2007**

**Related U.S. Application Data**

(63) Continuation of application No. 29/270,016, filed on Dec. 13, 2006, now Pat. No. Des. 584,903.

(51) **LOC (9) Cl.** ..... **06-04**

(52) **U.S. Cl.** ..... **D6/492**; D3/297; D3/905; D3/318; D3/400; D6/445

(58) **Field of Classification Search** ..... D3/260, D3/272-275, 276, 283, 294-297, 318, 321-322, D3/903, 905; D6/335, 396-397, 400, 432-448, D6/491, 509-510; D8/313; D32/25; D34/12; 206/349, 372-373, 376-379; 312/107, 117, 312/125, 204, 209, 224, 249.1, 249.8, 249.11, 312/249.12, 257.1, 280-282, 308, 332.1, 312/351, 902; 361/695

See application file for complete search history.

(56) **References Cited**

**U.S. PATENT DOCUMENTS**

D182,558 S 4/1958 Willman  
D205,522 S 8/1966 Doman  
D218,080 S 7/1970 Sierzega

D229,262 S 11/1973 Pearson  
4,120,549 A 10/1978 Bureau  
D283,769 S \* 5/1986 Cohn ..... D6/446  
4,811,999 A \* 3/1989 Remington et al. .... 312/249.8  
D327,967 S 7/1992 Hikawa  
D341,253 S 11/1993 Ballman et al.  
5,281,020 A 1/1994 Romick  
5,332,305 A 7/1994 Slivon et al.

(Continued)

*Primary Examiner*—Caron Veynar

*Assistant Examiner*—Ricky Pham

(74) *Attorney, Agent, or Firm*—Calfee, Halter & Griswold LLP

(57) **CLAIM**

I claim the ornamental design for a tool cabinet, as shown and described.

**DESCRIPTION**

FIG. 1 is a perspective view of a tool cabinet of the new design;

FIG. 2 is a front elevation view of the tool cabinet of FIG. 1;

FIG. 3 is a rear view of the tool cabinet of FIG. 1;

FIG. 4 is a left side view of the tool cabinet of FIG. 1;

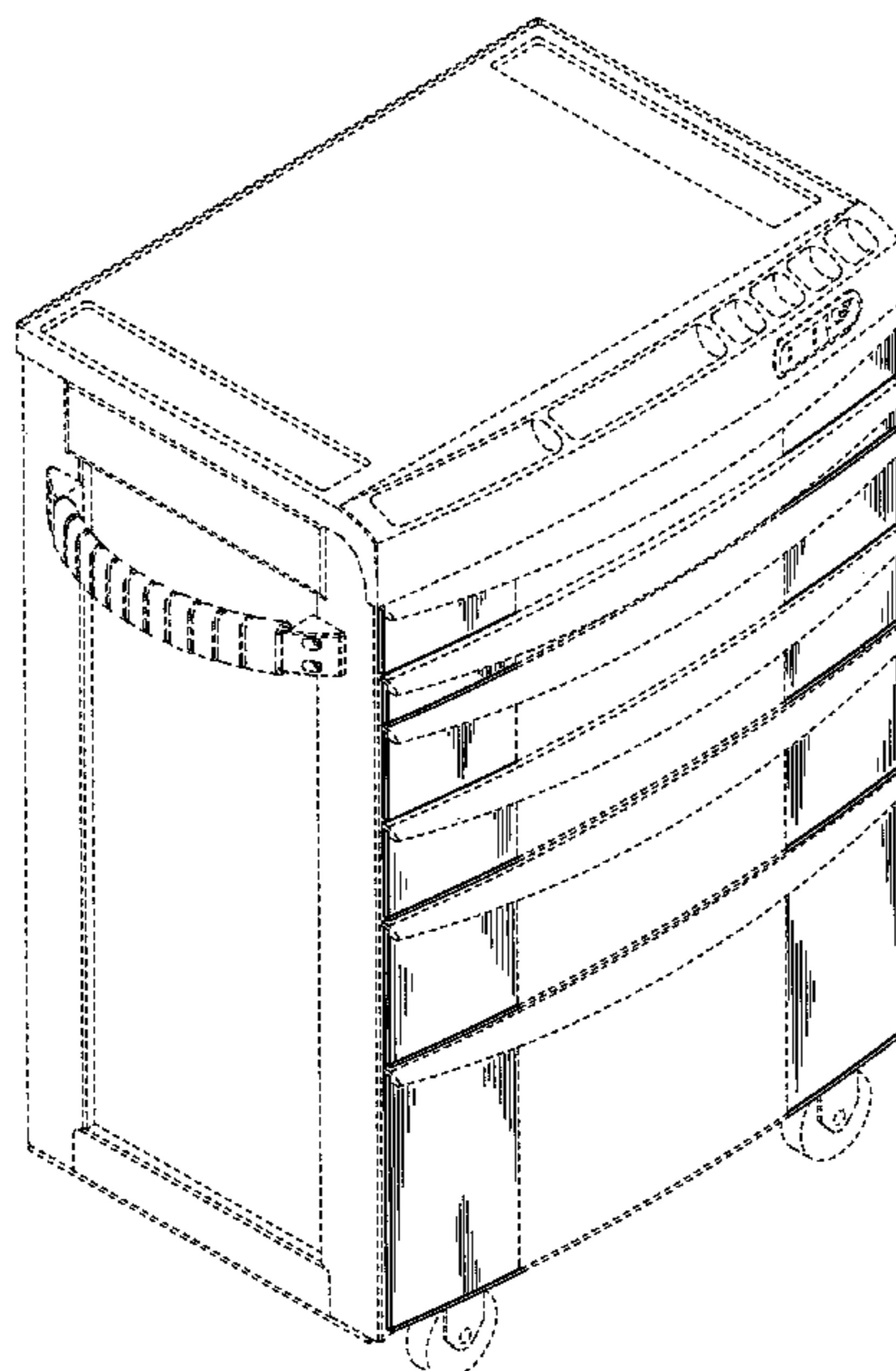
FIG. 5 is a right side view of the tool cabinet of FIG. 1;

FIG. 6 is a top view of the tool cabinet of FIG. 1; and,

FIG. 7 is a bottom view of the tool cabinet of FIG. 1.

The phantom lines at the rear edge of the claimed subject matter indicate boundary of claimed design. All other phantom lines are shown in the drawings for illustrative purposes only and form no part of the claimed design.

**1 Claim, 6 Drawing Sheets**



# US D613,972 S

Page 2

## U.S. PATENT DOCUMENTS

D356,703 S	3/1995	Dickinson	D504,260 S	4/2005	Arceta	
5,443,311 A	8/1995	Kadlecek et al.	D505,237 S	5/2005	Schmidt et al.	
D361,910 S	9/1995	Maple et al.	D506,090 S	6/2005	Ben-Or	
5,482,162 A	1/1996	Dickinson	D514,854 S	2/2006	Schmidt et al.	
5,497,878 A	3/1996	Sandonato	D517,805 S	3/2006	Hosking	
D370,342 S	6/1996	Gwyther	D520,264 S *	5/2006	Mehmen et al. ....	D6/441
D370,572 S	6/1996	Lin	D520,784 S	5/2006	Schmidt et al.	
D372,378 S	8/1996	Kruger	7,048,347 B1 *	5/2006	Liu .....	312/332.1
5,607,214 A	3/1997	Pierce et al.	D526,782 S	8/2006	Hosking	
D381,166 S	7/1997	Bonazza	D536,202 S *	2/2007	Mehmen et al. ....	D6/509
D385,722 S	11/1997	Yemini	D538,997 S	3/2007	Schlembach	
D386,626 S	11/1997	Yemini	D544,259 S	6/2007	Schmidt et al.	
5,720,535 A	2/1998	Mehman	D547,160 S	7/2007	Hand et al.	
D393,541 S	4/1998	Calmeise	D549,408 S *	8/2007	Lee .....	D32/25
5,857,757 A	1/1999	Bieker et al.	D554,370 S *	11/2007	Hand .....	D3/297
D423,817 S *	5/2000	Holcomb et al. ....	D554,864 S *	11/2007	Hand .....	D3/297
D423,818 S	5/2000	Holcomb et al.	D560,079 S *	1/2008	Mehmen .....	D6/441
D427,807 S	7/2000	Holcomb et al.	D563,103 S *	3/2008	Hand .....	D3/297
6,109,709 A	8/2000	Holcomb et al.	D563,119 S *	3/2008	Malley et al. ....	D6/445
D430,426 S	9/2000	Bieker et al.	D563,120 S *	3/2008	Malley et al. ....	D6/445
D431,934 S *	10/2000	Chininis .....	D566,396 S *	4/2008	Hand .....	D3/297
6,176,559 B1	1/2001	Tiramani et al.	D568,078 S	5/2008	Kohagen et al.	
D448,168 S	9/2001	Johnston	D568,608 S *	5/2008	Hand .....	D3/297
D449,181 S	10/2001	Story et al.	D573,792 S *	7/2008	Hand .....	D3/297
D453,074 S	1/2002	Johnston	D577,523 S *	9/2008	Mehmen .....	D6/509
6,347,847 B1	2/2002	Tiramani et al.	2002/0030425 A1	3/2002	Tiramani et al.	
D455,902 S	4/2002	Wolf	2002/0074905 A1	6/2002	Tiramani et al.	
D457,704 S	5/2002	Fiscus et al.	2006/0103278 A1 *	5/2006	Bousquet .....	312/332.1
D461,067 S *	8/2002	Frank et al. ....	2007/0063624 A1 *	3/2007	Liao .....	312/282
D470,687 S	2/2003	Binse et al.	2007/0228903 A1 *	10/2007	Liu .....	312/280
D477,724 S	7/2003	Bishop	2007/0228990 A1	10/2007	Liu	
			2007/0274042 A1 *	11/2007	Jackson et al. ....	361/695

\* cited by examiner

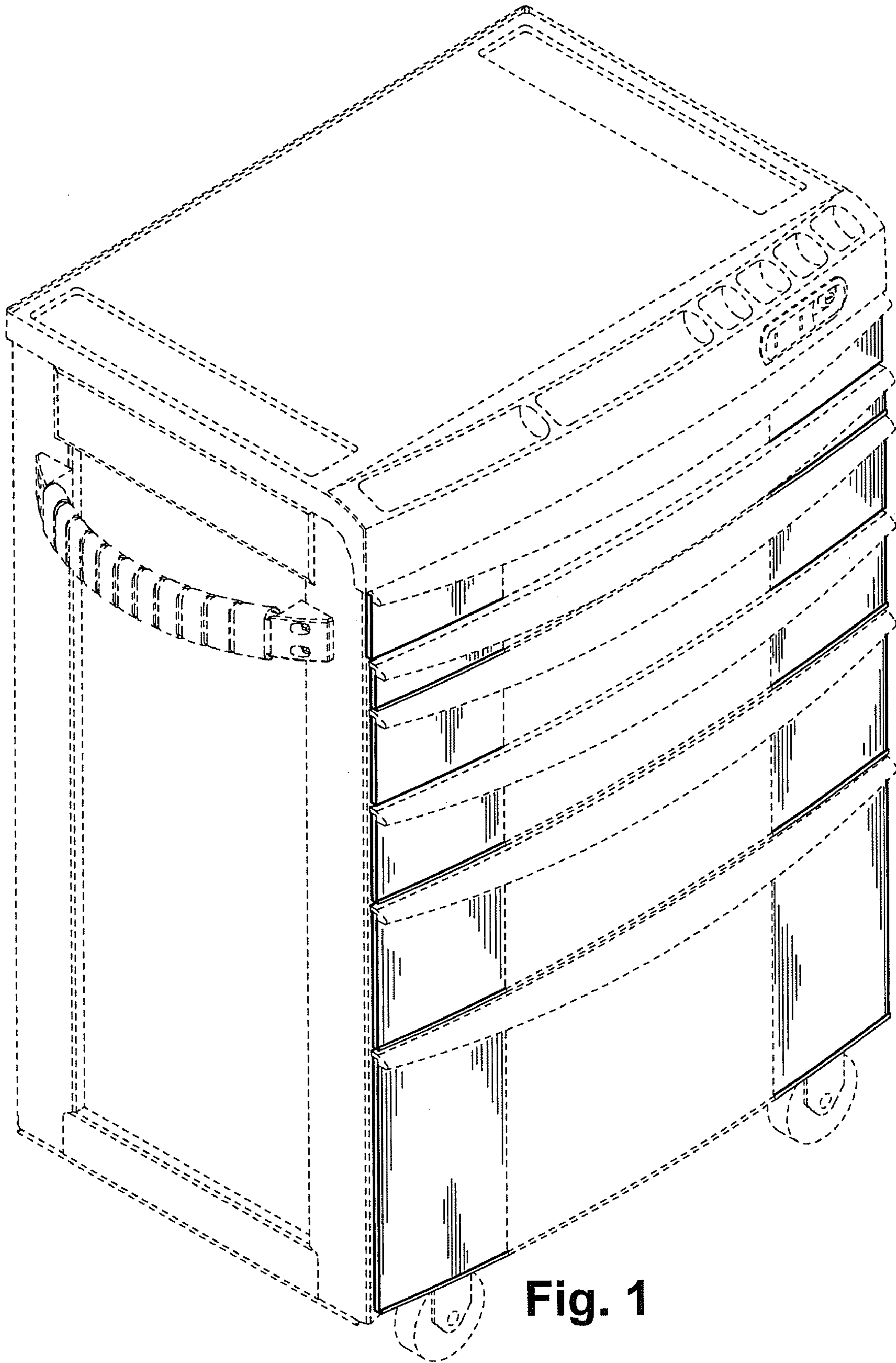
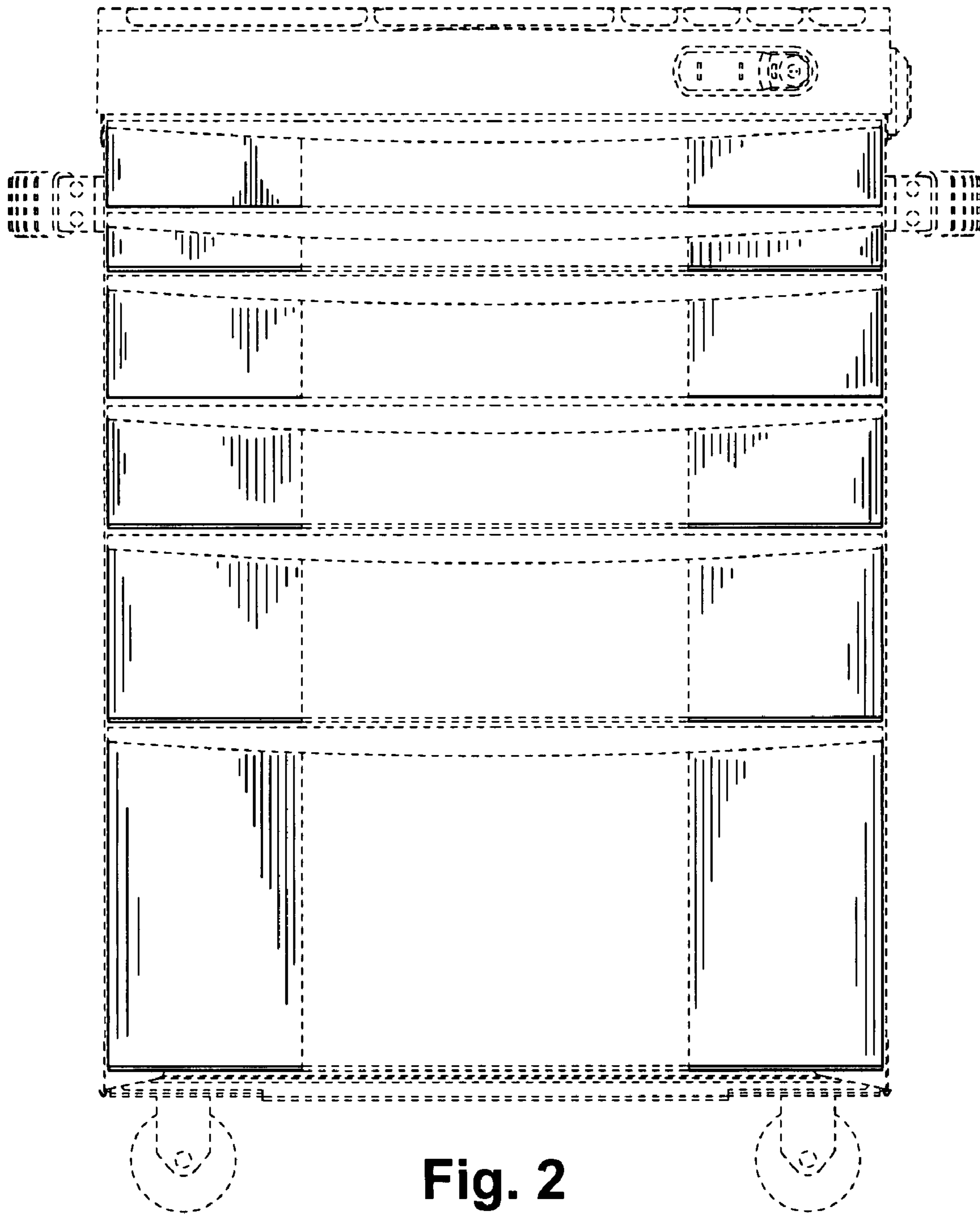
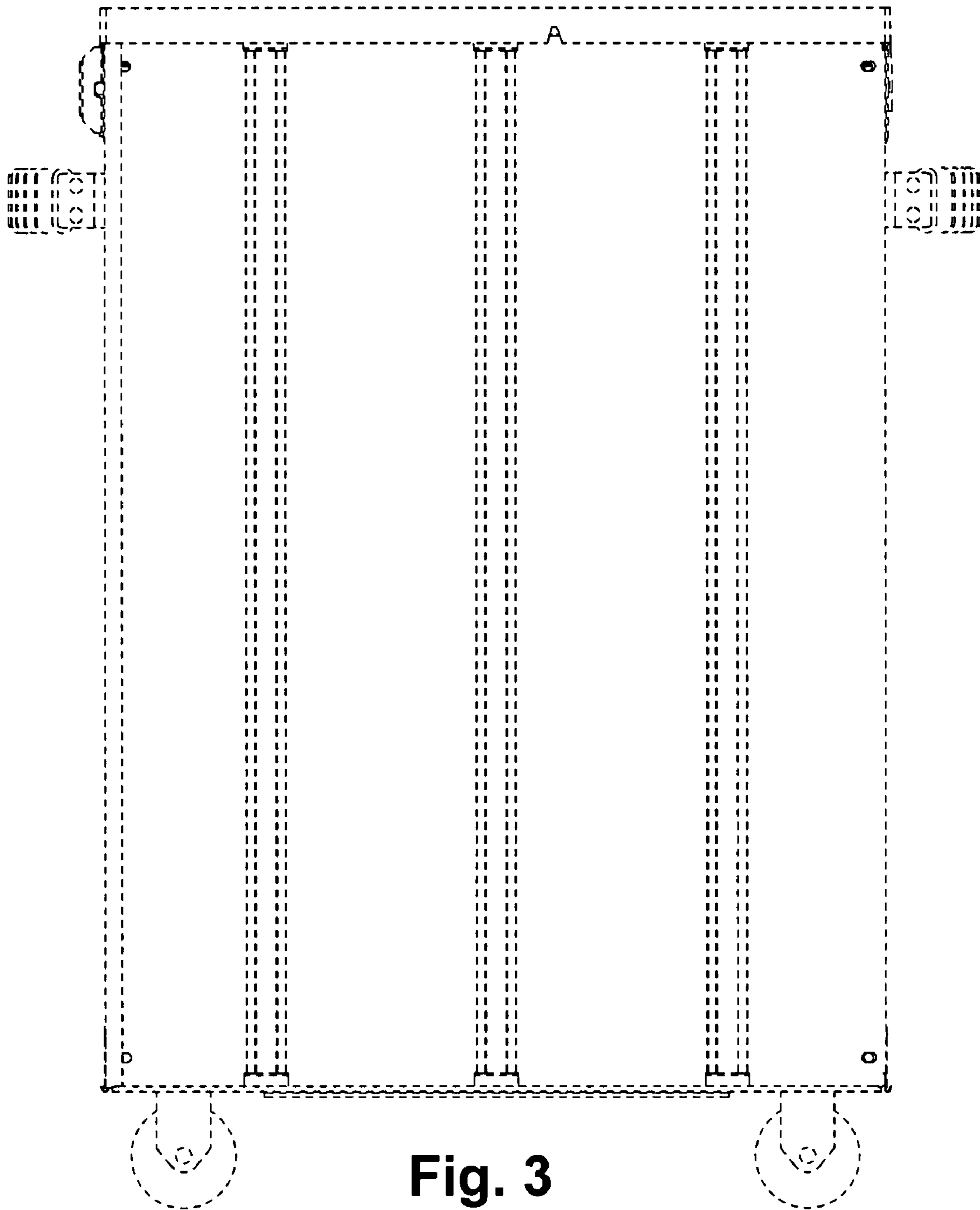


Fig. 1





**Fig. 2**



**Fig. 3**

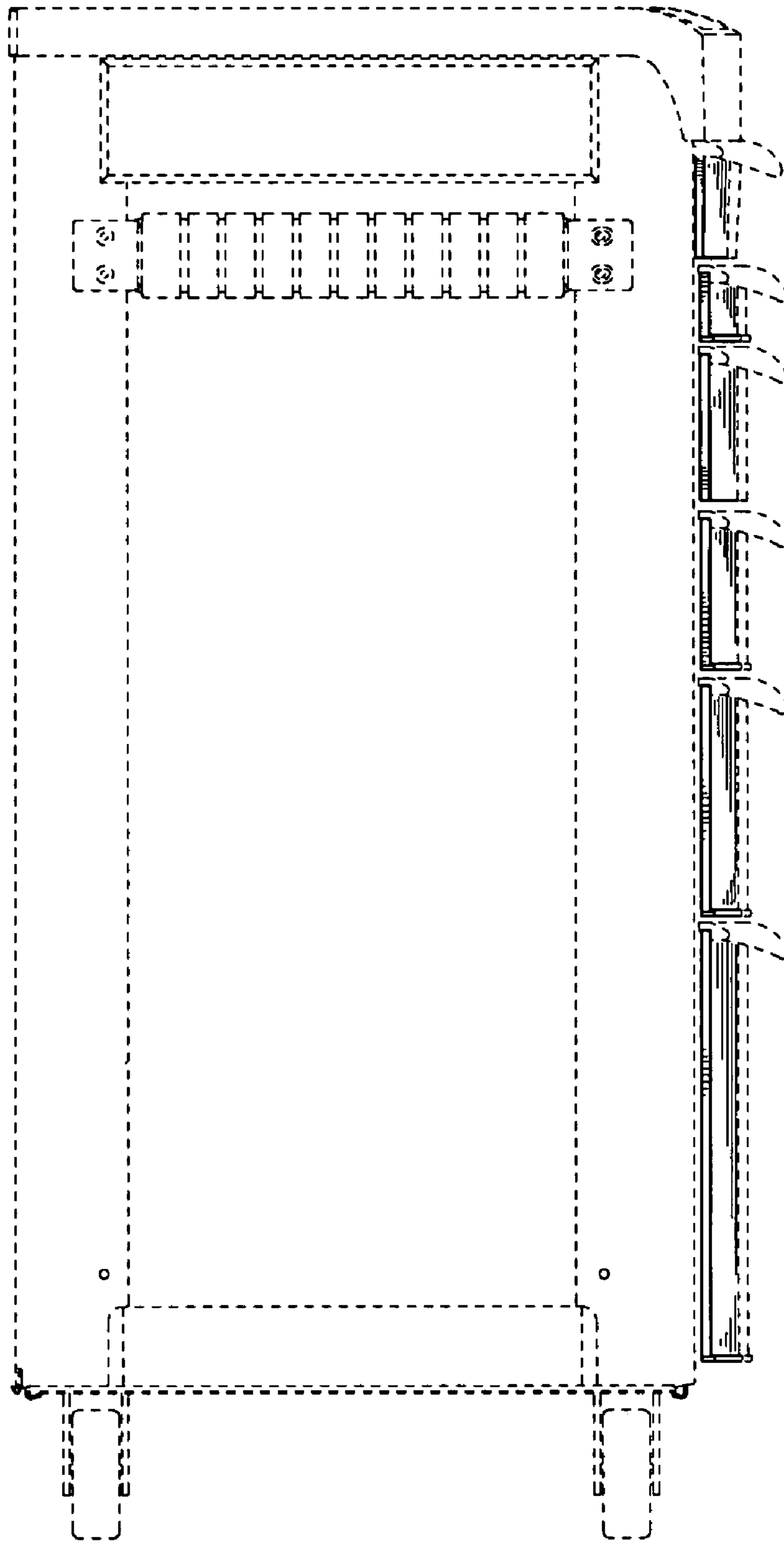


Fig. 4

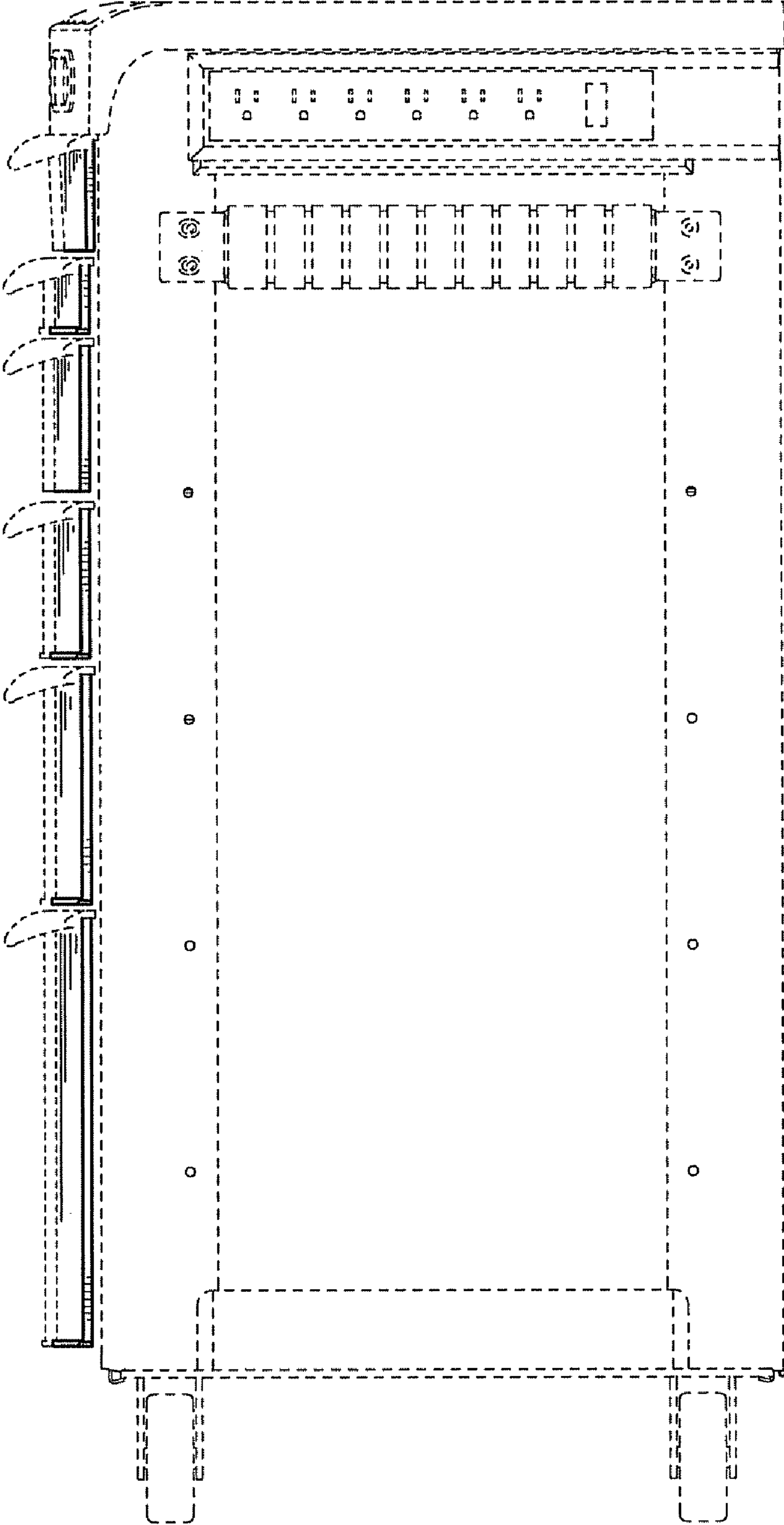
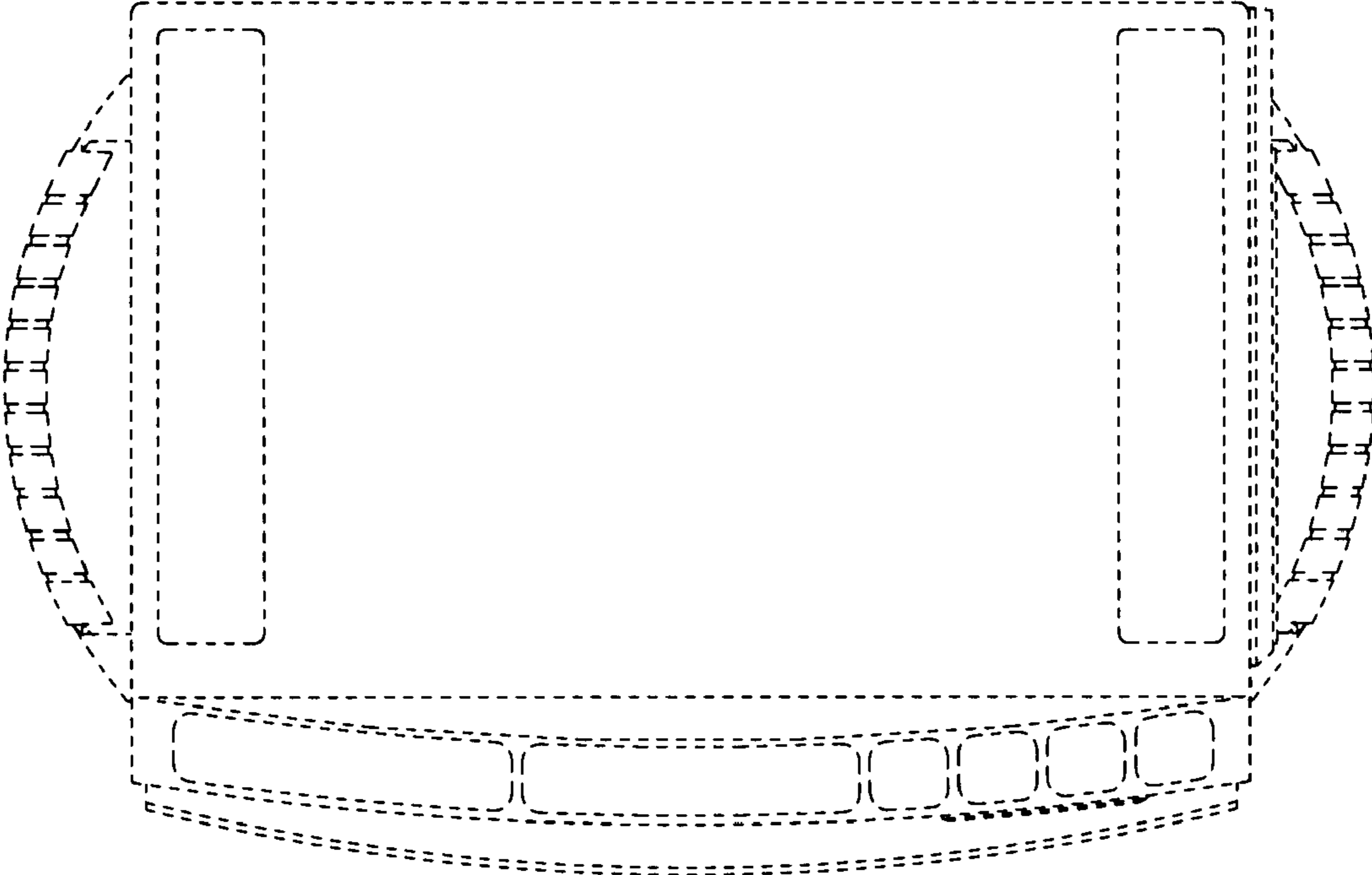
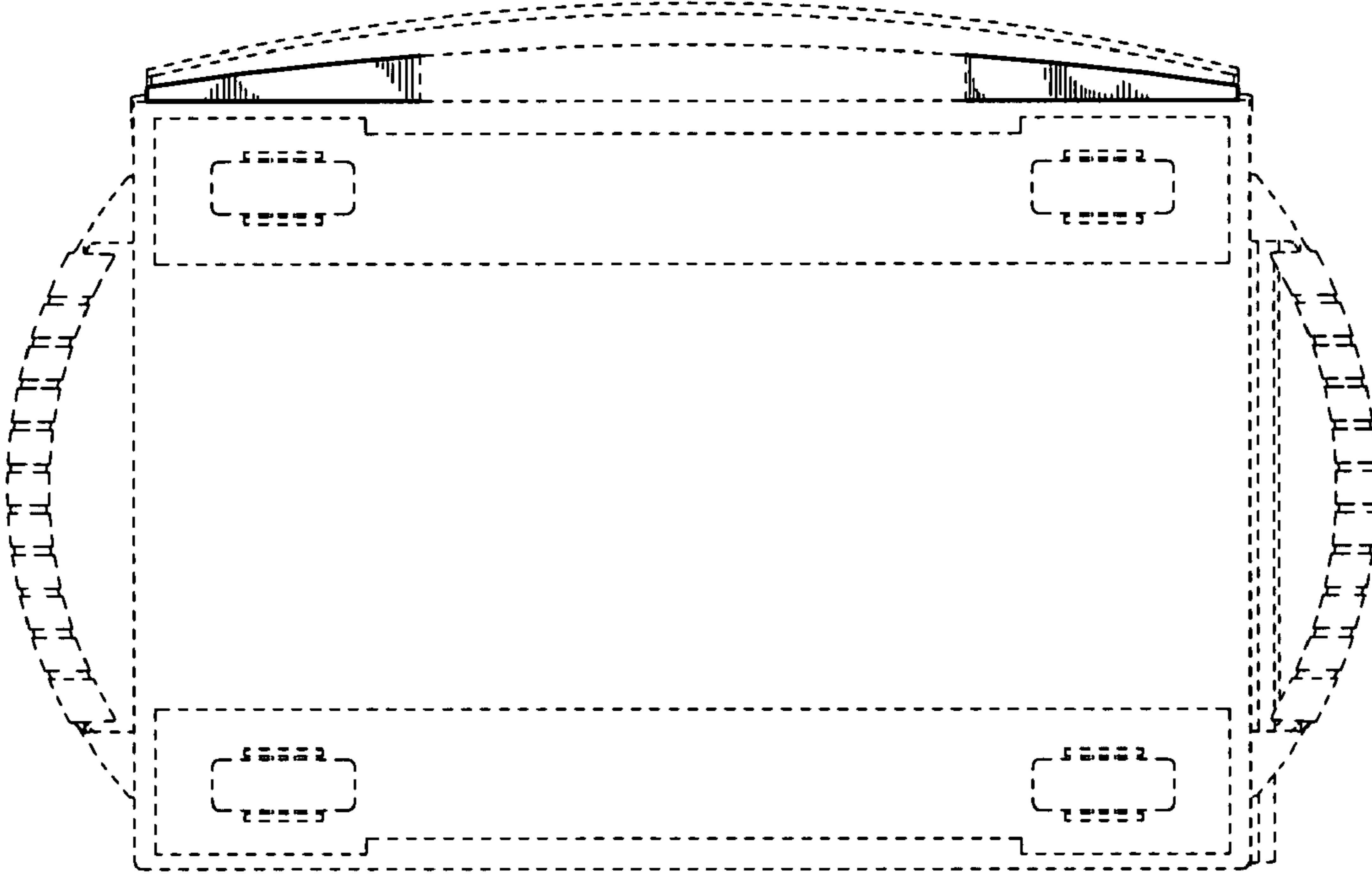


Fig. 5



**Fig. 6**



**Fig. 7**