



US00D613971S

(12) **United States Design Patent**
Matus, Jr.

(10) **Patent No.:** **US D613,971 S**
(45) **Date of Patent:** **** Apr. 20, 2010**

(54) **SUPPORT POST FOR A FOOD GUARD SYSTEM**

(76) Inventor: **Jose Orlando Matus, Jr.**, 3860 Jack Wilson Rd., Gainesville, GA (US) 30506

(**) Term: **14 Years**

(21) Appl. No.: **29/326,273**

(22) Filed: **Oct. 15, 2008**

(51) **LOC (9) Cl.** **06-04**

(52) **U.S. Cl.** **D6/491**

(58) **Field of Classification Search** D6/397,
D6/471, 491, 495, 511, 470, 472, 481; 211/85.4;
312/114, 116, 137, 140.4
See application file for complete search history.

(56) **References Cited**

U.S. PATENT DOCUMENTS

D206,198	S *	11/1966	Molitor	D6/509
6,056,129	A *	5/2000	Ahearn et al.	211/70.6
D427,460	S *	7/2000	McGrath	D6/491
6,101,954	A *	8/2000	Rein et al.	108/50.02
6,132,018	A *	10/2000	McGrath	312/140.4
6,485,118	B2 *	11/2002	Matus, Jr.	312/137
6,588,863	B1 *	7/2003	Yatchak et al.	312/140.4
7,040,723	B2 *	5/2006	Matus, Jr.	312/140.4
2006/0175940	A1 *	8/2006	English	312/137
2006/0192467	A1 *	8/2006	Matus, Jr.	312/140.4
2007/0090733	A1 *	4/2007	Matus, Jr.	312/140.4

2007/0236112 A1* 10/2007 Williman 312/140.4

* cited by examiner

Primary Examiner—Janice E Seeger

Assistant Examiner—Zenia I Bennett

(74) *Attorney, Agent, or Firm*—Daniel J. Santos

(57) **CLAIM**

The ornamental design for a support post for a food guard system, as shown and described.

DESCRIPTION

FIG. 1 illustrates a perspective view of the support post secured to a food guard shield.

FIG. 2 illustrates a left-side perspective view of the support post shown in FIG. 1.

FIG. 3 illustrates a top plan view of the support post shown in FIG. 2.

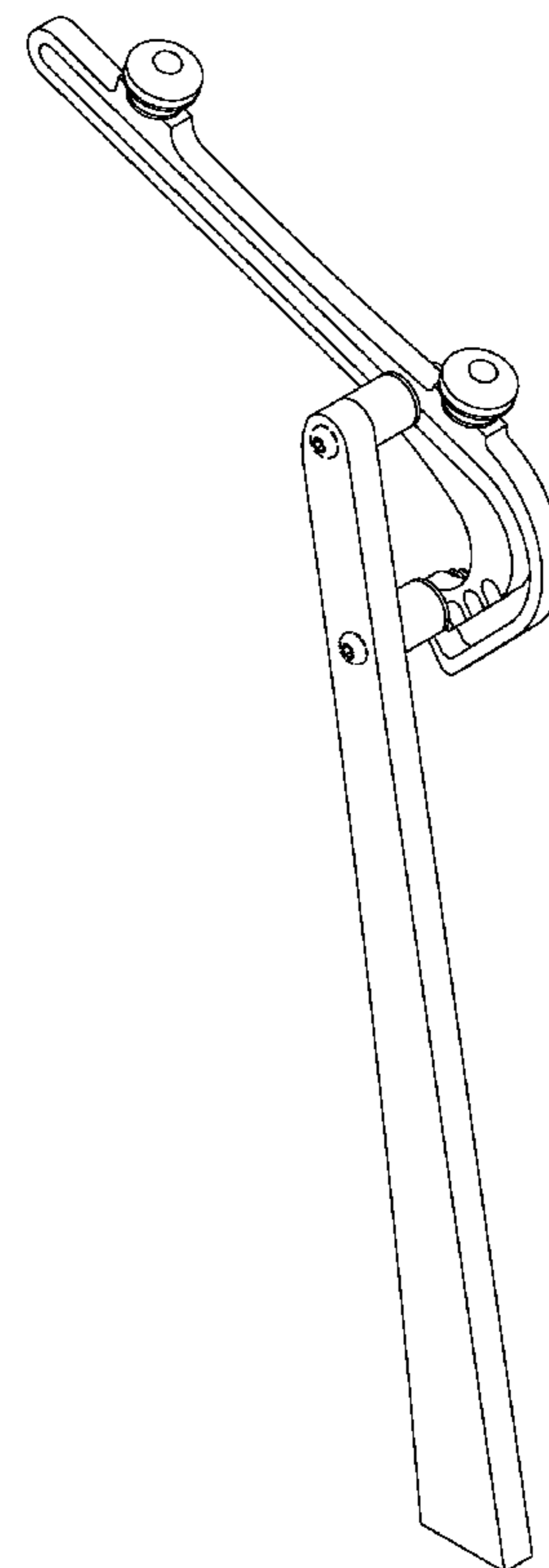
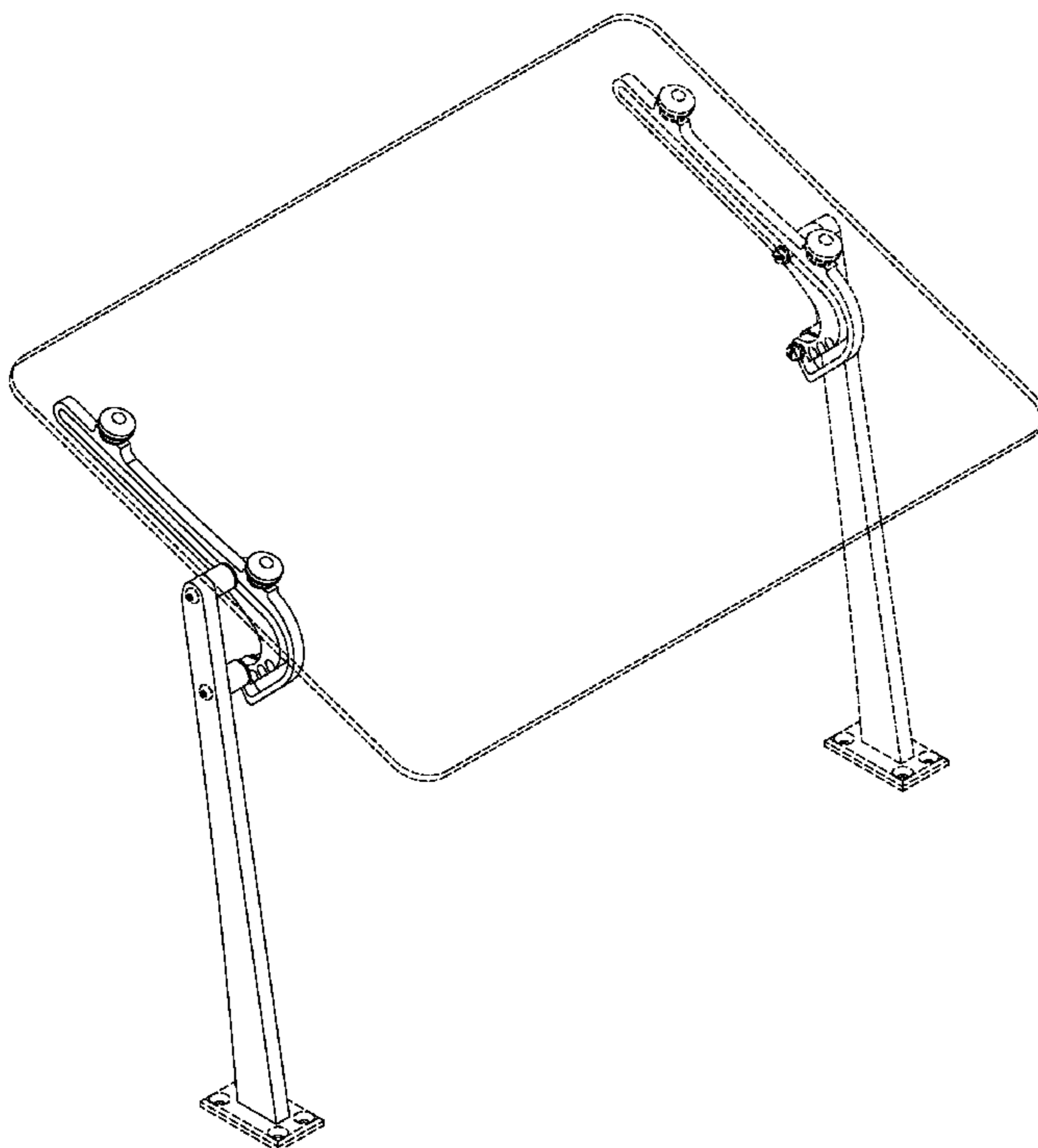
FIG. 4 illustrates a side plan view of the support post shown in FIG. 2.

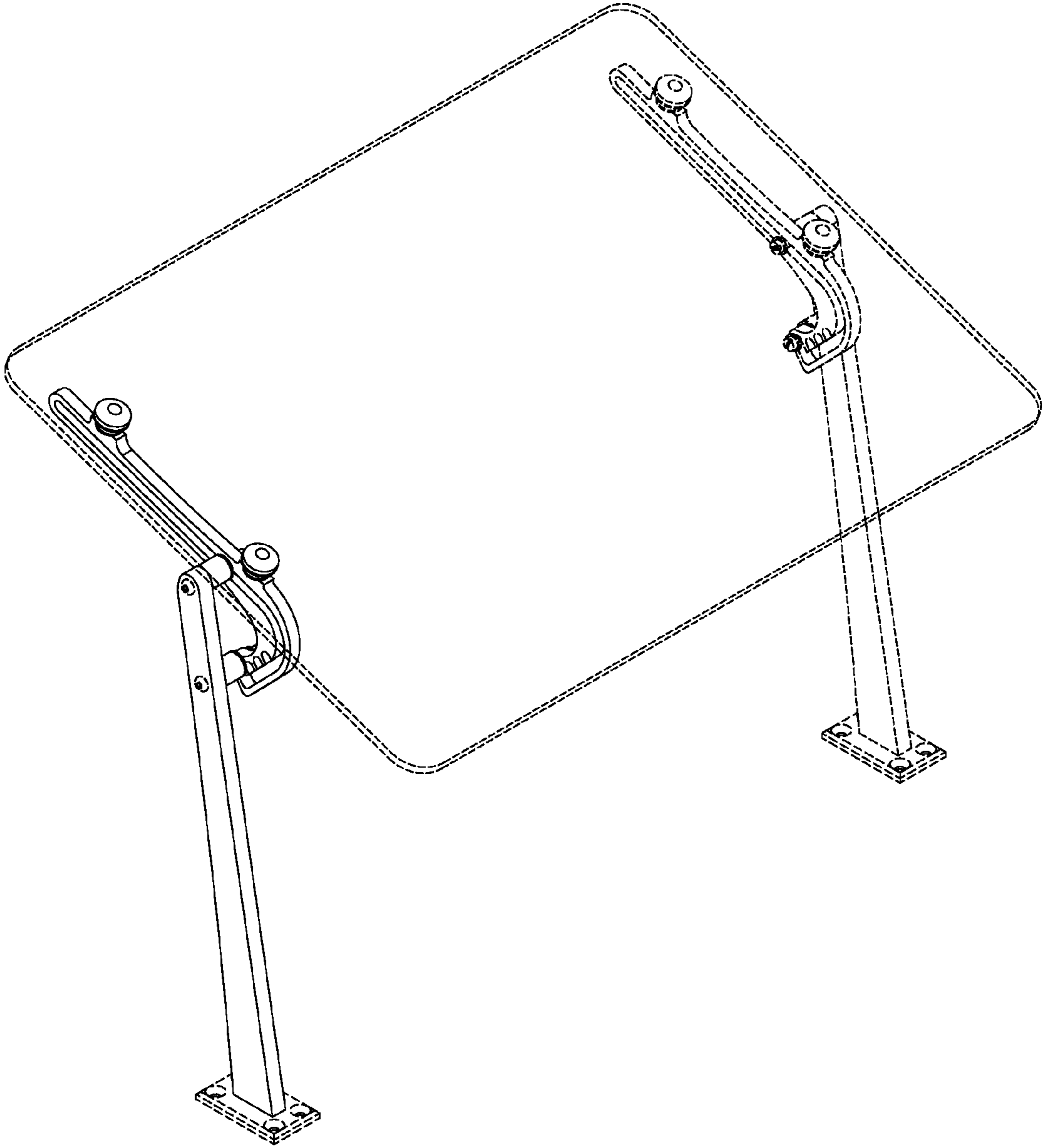
FIG. 5 illustrates a bottom plan view of the support post shown in FIG. 2; and,

FIG. 6 illustrates a front plan view of the support post shown in FIG. 2.

The broken lines in the drawings are for illustrative purposes only and form no part of the claimed design.

1 Claim, 6 Drawing Sheets





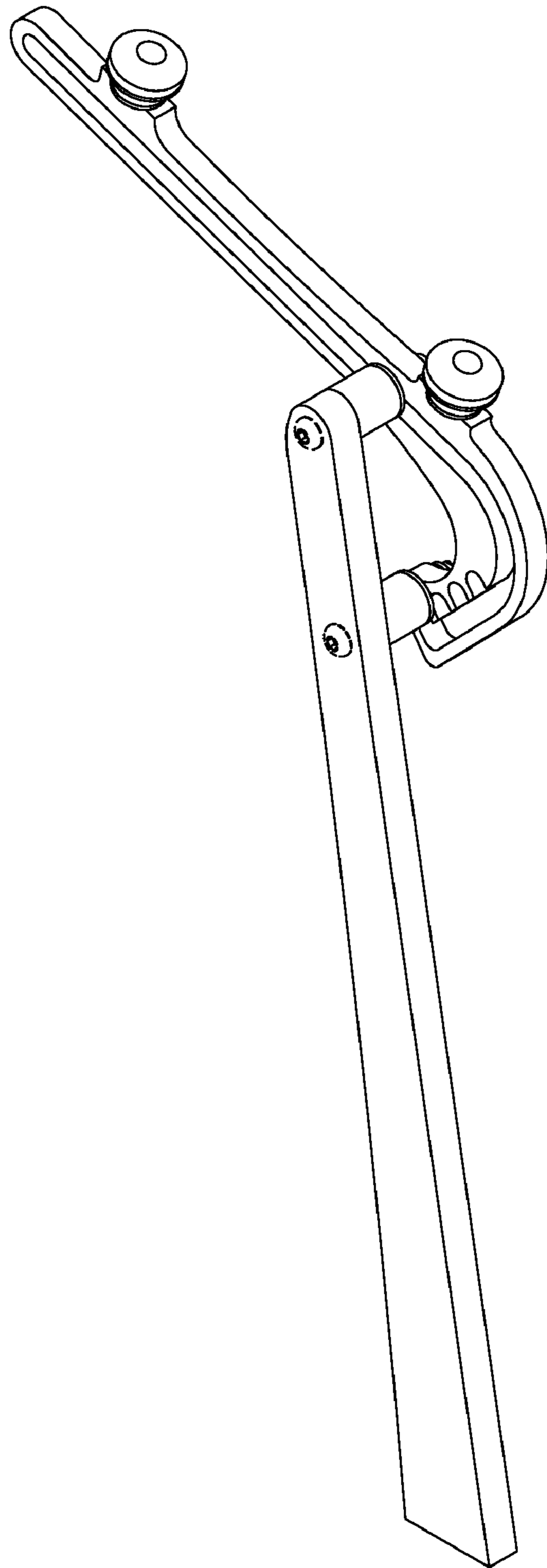


Fig 2

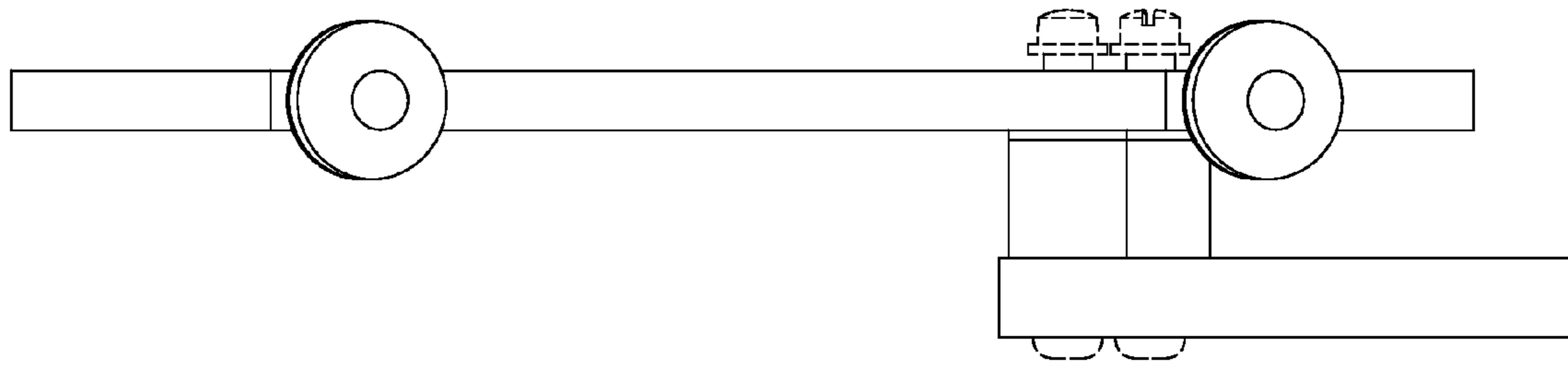


Fig 3

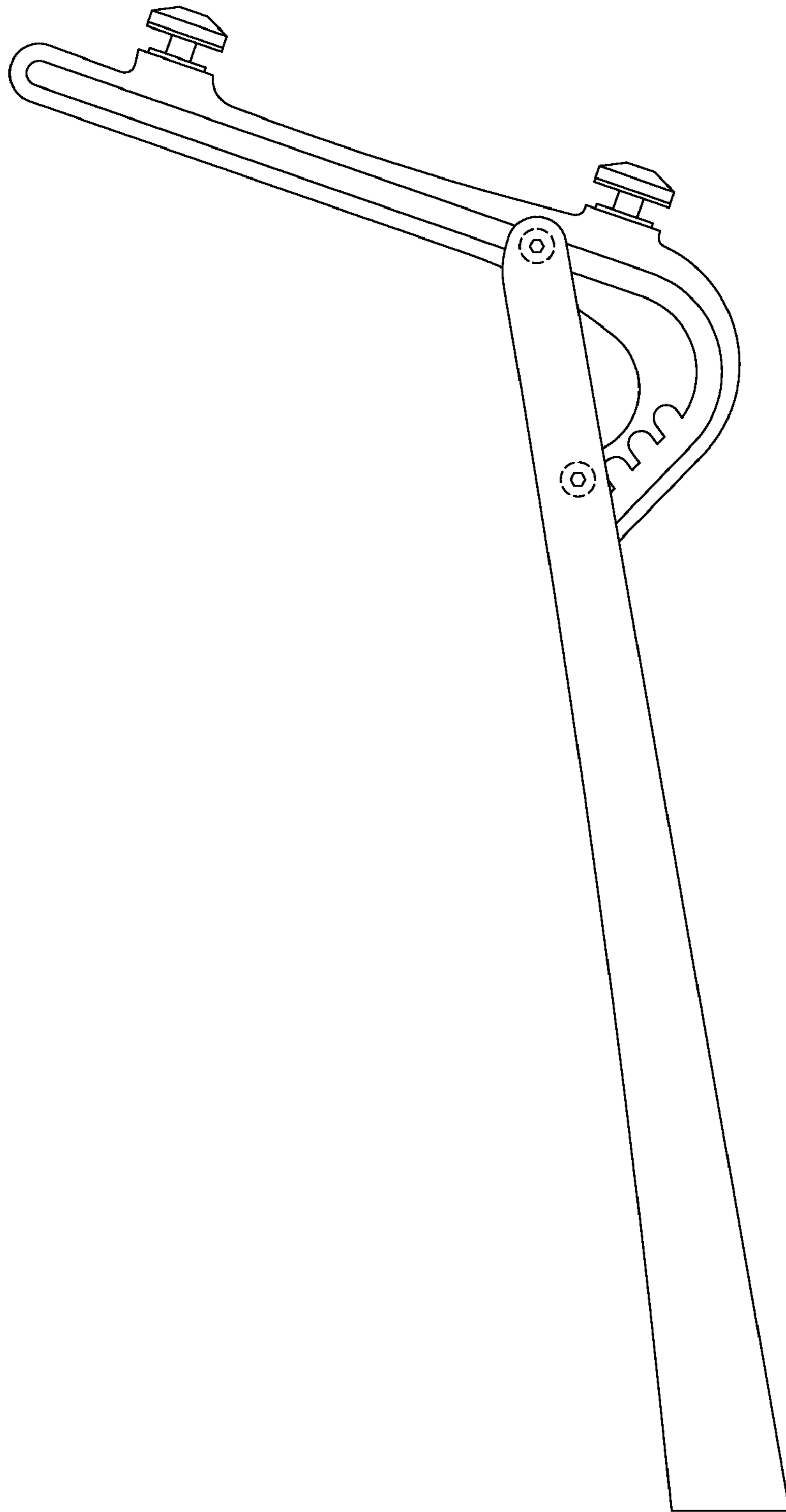


Fig 4

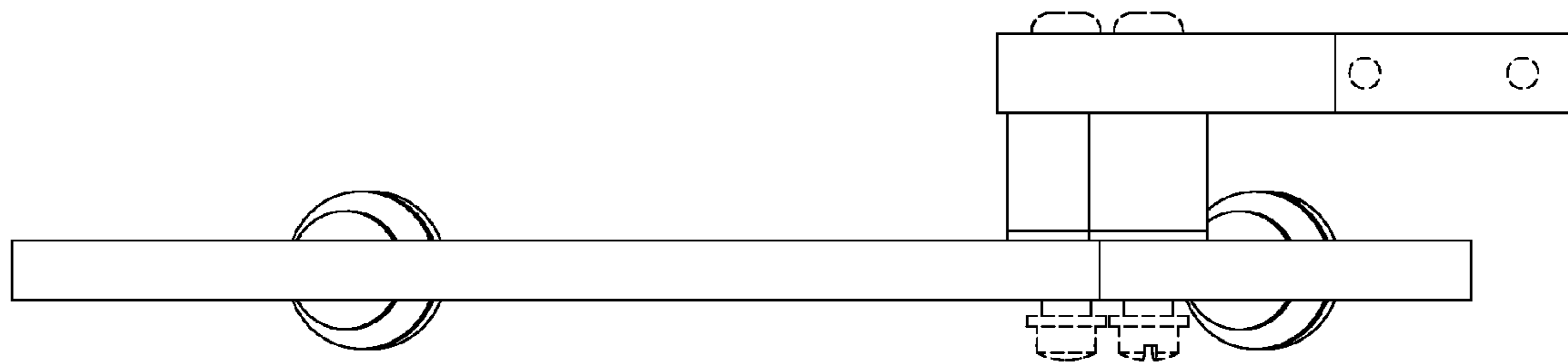


Fig 5

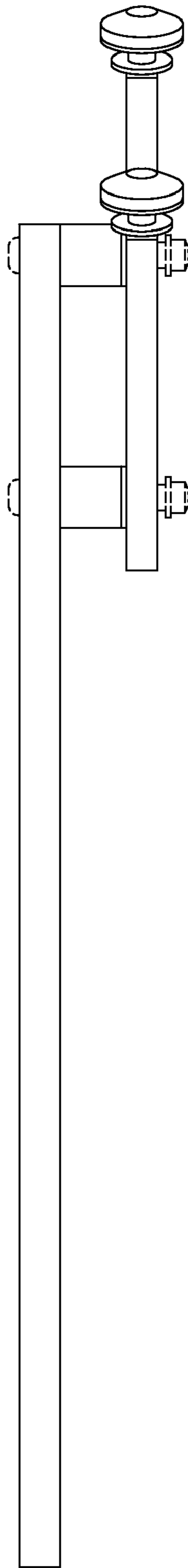


Fig 6