



US00D613968S

(12) **United States Design Patent**
Lambert

(10) **Patent No.:** **US D613,968 S**

(45) **Date of Patent:** **** Apr. 20, 2010**

(54) **LOW TABLE**

(75) Inventor: **Fabrice Lambert**, Vaux en Bugey (FR)

(73) Assignee: **Grosfillex SAS**, Oyonnax (FR)

(**) Term: **14 Years**

(21) Appl. No.: **29/311,728**

(22) Filed: **Jun. 8, 2009**

(30) **Foreign Application Priority Data**

Dec. 9, 2008 (EM) 001053748-0005

(51) **LOC (9) Cl.** **06-03**

(52) **U.S. Cl.** **D6/480**

(58) **Field of Classification Search** D6/480-489,
D6/495-499, 429-431, 511; 108/150, 153.1,
108/155, 156, 161, 69, 77, 83; 248/188,
248/188.1, 188.8, 188.9

See application file for complete search history.

(56) **References Cited**

U.S. PATENT DOCUMENTS

D132,875 S * 6/1942 Cooper D6/430
2,631,075 A * 3/1953 De Gaal 108/86
3,885,765 A * 5/1975 Richards 248/188.1
D243,983 S * 4/1977 Carter D6/484

D339,481 S * 9/1993 Stephens D6/428
D466,337 S * 12/2002 Feng D6/485
D468,938 S * 1/2003 Williams D6/484
D580,194 S * 11/2008 Lambert et al. D6/480
D580,681 S * 11/2008 Lambert et al. D6/480
D582,179 S * 12/2008 Lambert et al. D6/480

* cited by examiner

Primary Examiner—Janice E Seeger

(74) *Attorney, Agent, or Firm*—Dowell & Dowell, PC

(57) **CLAIM**

The ornamental design for a low table, as shown and described.

DESCRIPTION

FIG. 1 is a front perspective view of a low table showing my new design;

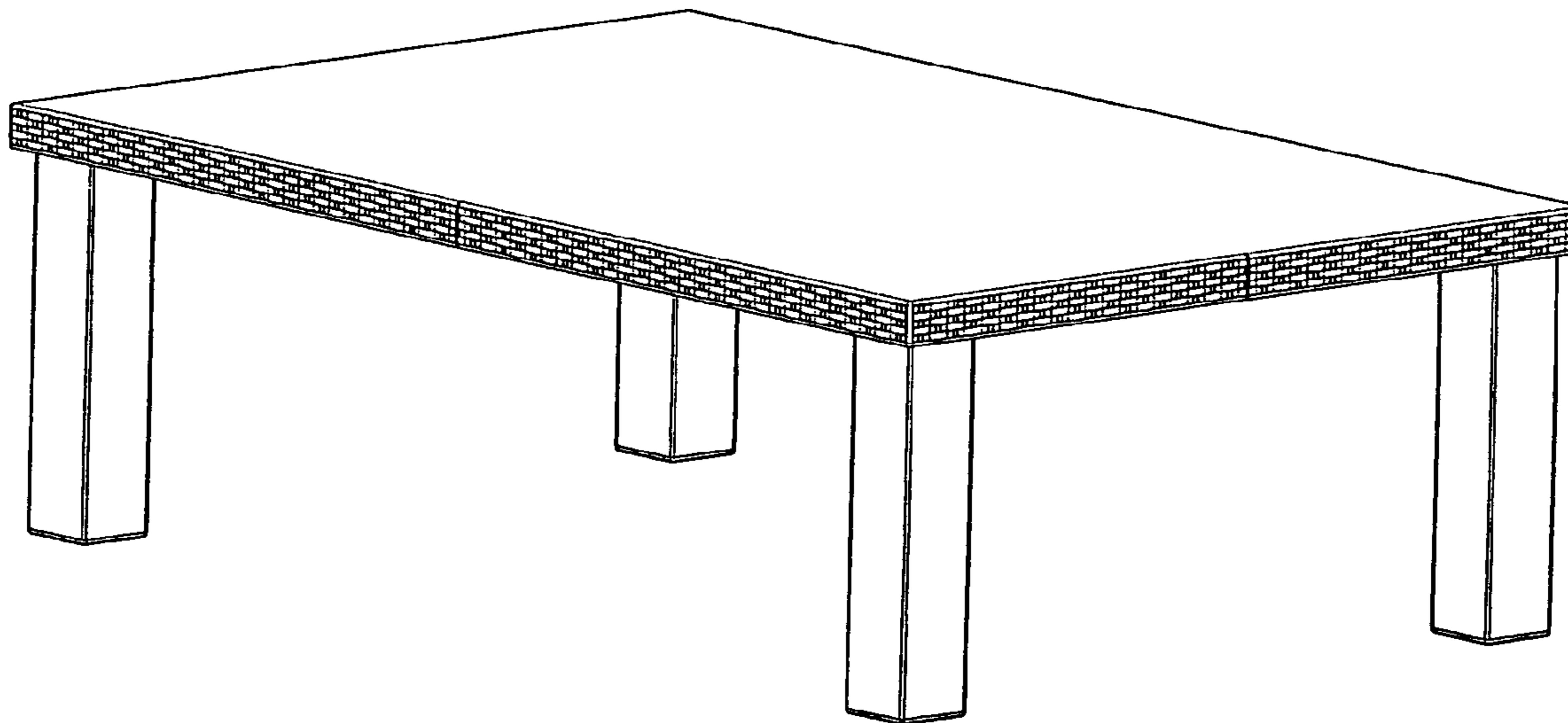
FIG. 2 is a front elevational view thereof, a view from the rear being a mirror image thereof;

FIG. 3 is a right side view thereof, a view from the left side being a mirror image; and,

FIG. 4 is a top plan view thereof.

The bottom of the table, not shown, forms no part of the claimed design.

1 Claim, 4 Drawing Sheets



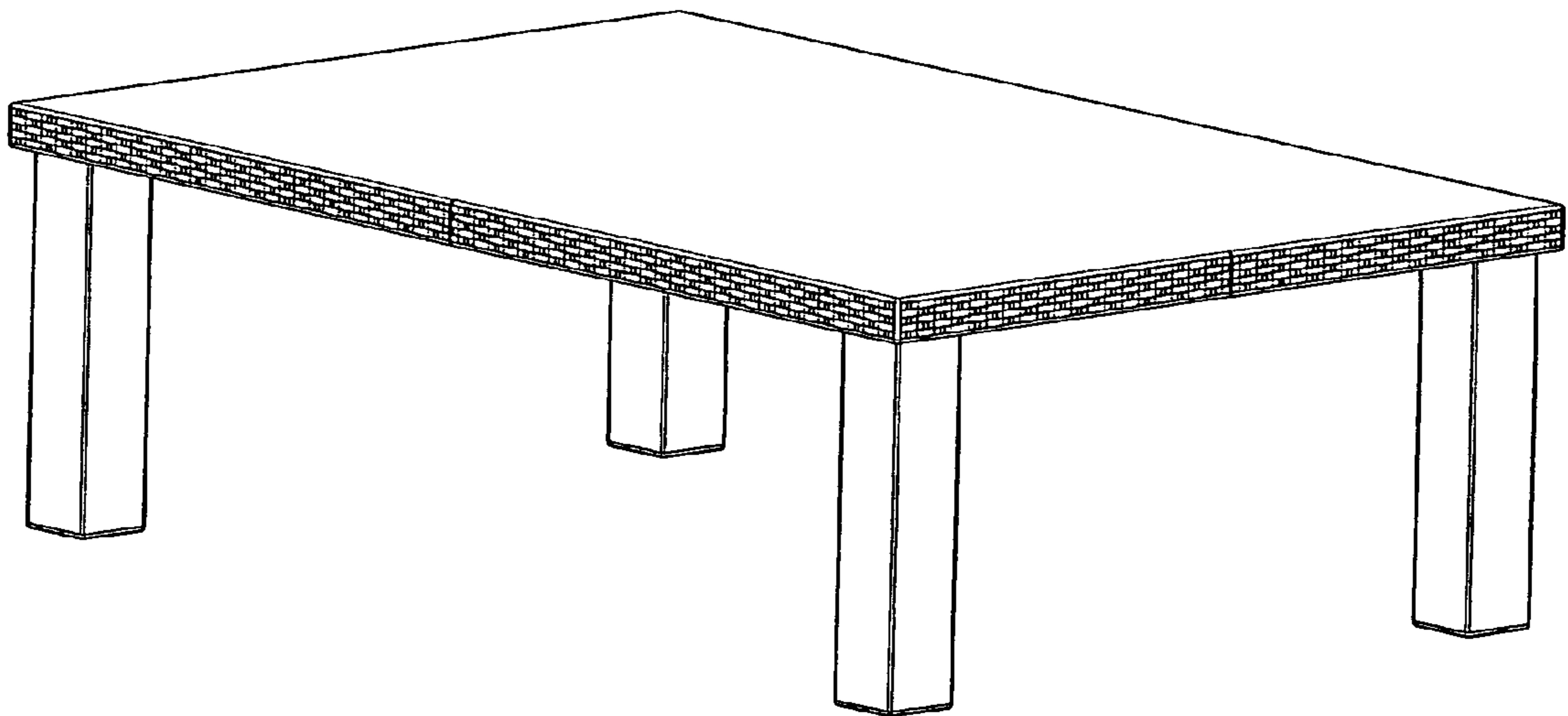


FIG. 1

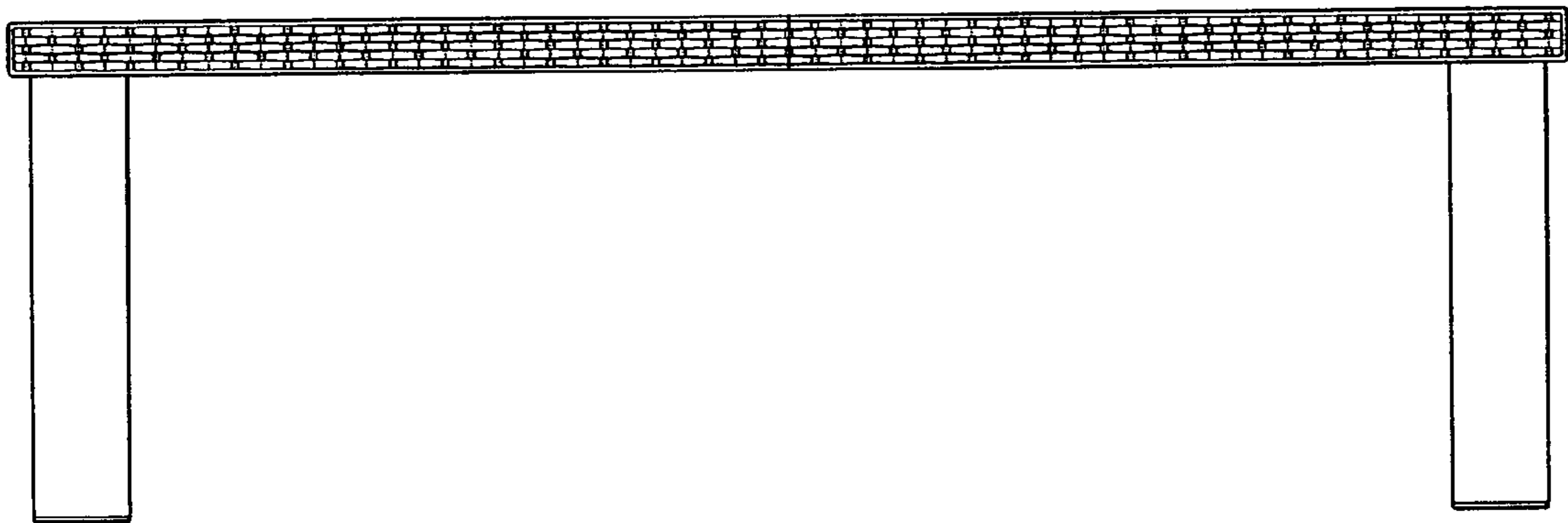


FIG. 2

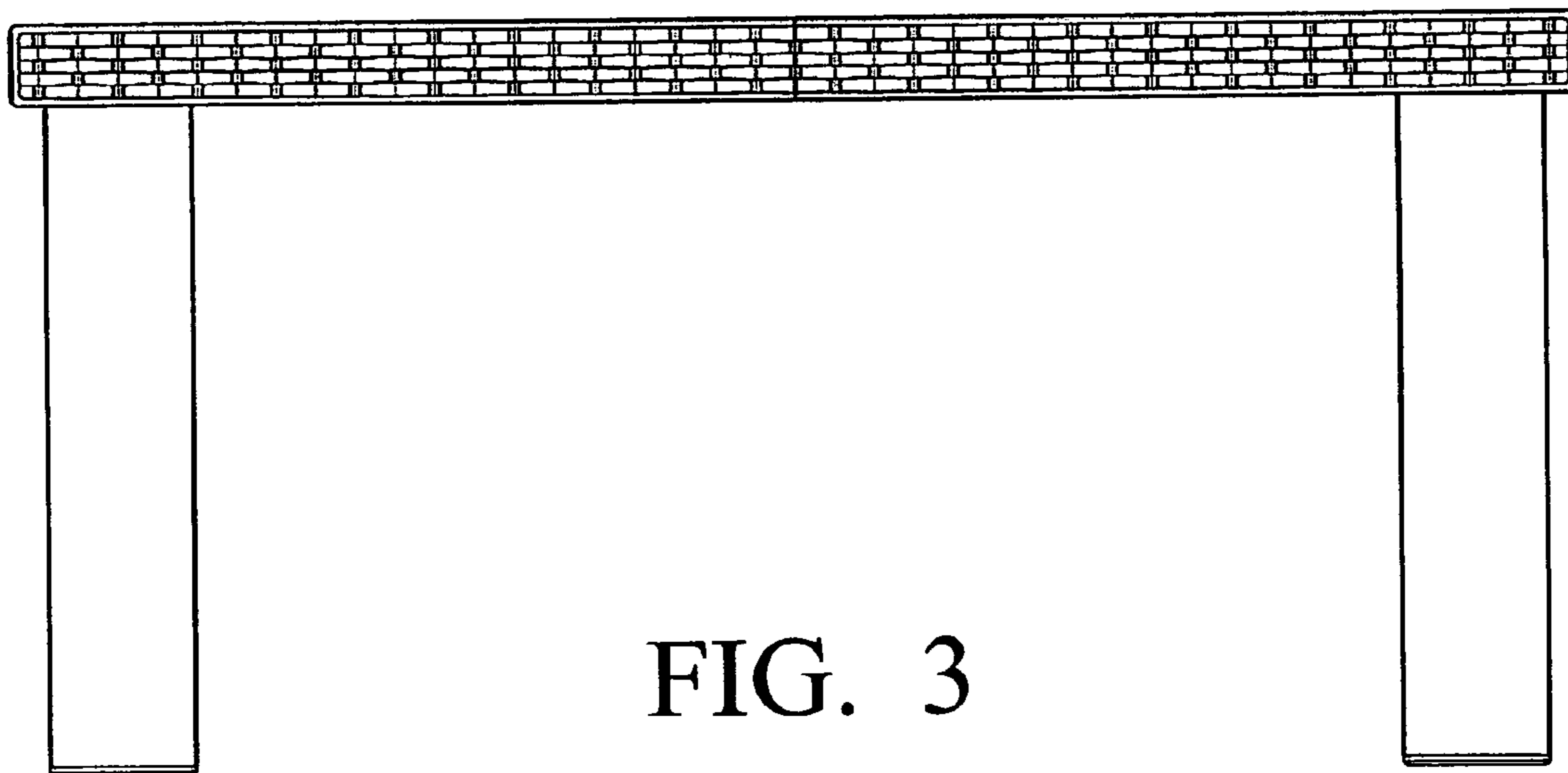


FIG. 3

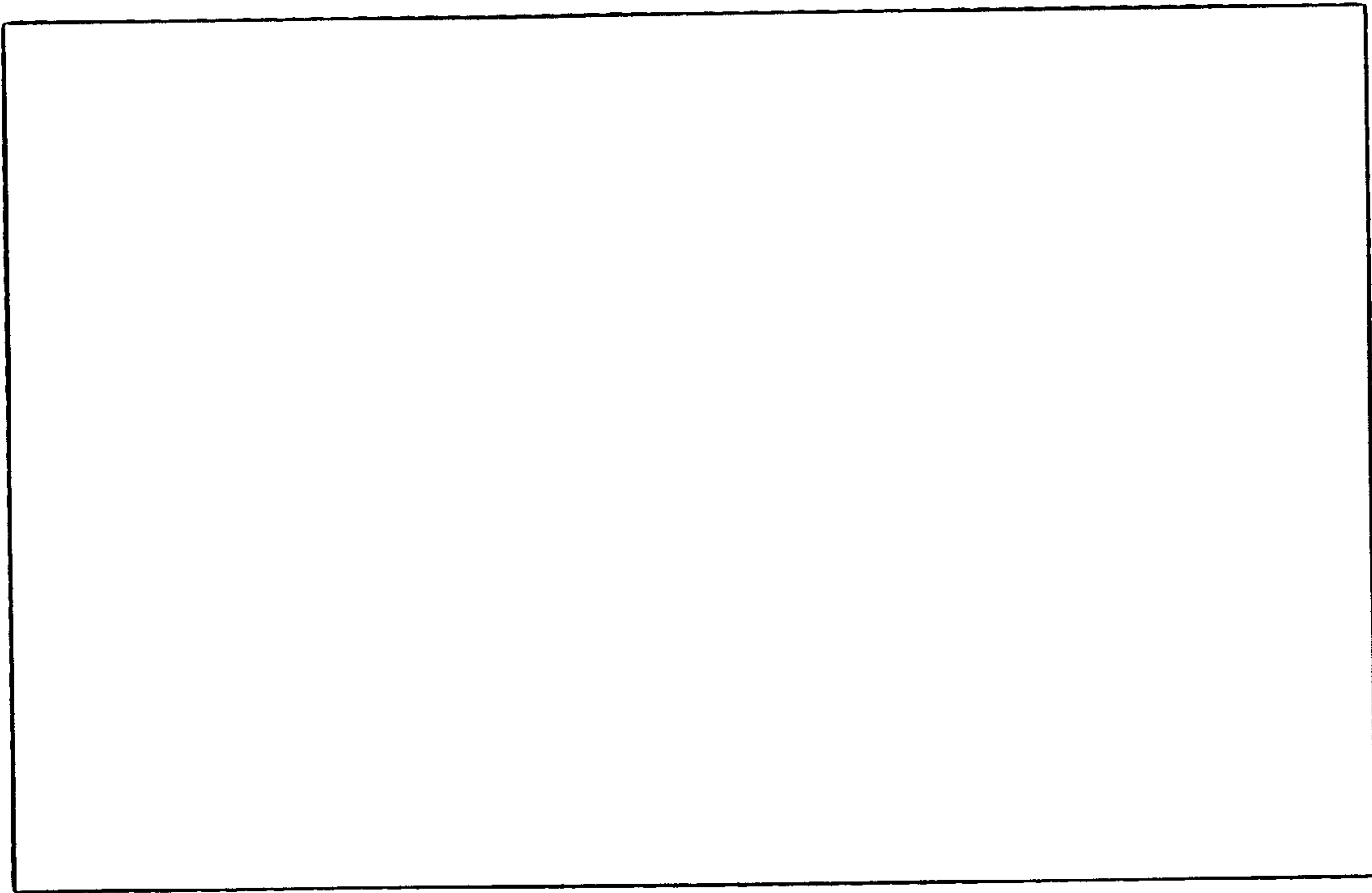


FIG. 4