



US00D613966S

(12) **United States Design Patent**  
**Staw et al.**

(10) **Patent No.:** **US D613,966 S**

(45) **Date of Patent:** **\*\* Apr. 20, 2010**

(54) **SOCK DISPLAY UNIT**

D591,088 S \* 4/2009 Belokin ..... D6/476

\* cited by examiner

(75) Inventors: **Jonah Staw**, Brooklyn, NY (US);  
**Adrienne Weiss**, Chicago, IL (US)

*Primary Examiner*—Elizabeth A Albert  
*Assistant Examiner*—Kelley A Donnelly

(73) Assignee: **Miss Matched, Inc.**, New York, NY  
(US)

(74) *Attorney, Agent, or Firm*—Husch Blackwell Sanders  
LLP

(\*\*) Term: **14 Years**

(57) **CLAIM**

(21) Appl. No.: **29/341,991**

The ornamental design for a sock display unit, as shown and  
described.

(22) Filed: **Aug. 17, 2009**

**DESCRIPTION**

(51) **LOC (9) Cl.** ..... **06-04**

FIG. 1 is a perspective view of a sock display unit showing my  
new design.

(52) **U.S. Cl.** ..... **D6/476**

FIG. 2 is a front elevational view thereof.

(58) **Field of Classification Search** ..... D6/396,  
D6/449, 476, 411, 414, 462–463, 466; 211/13,  
211/59.1, 57.1, 34

FIG. 3 is a rear elevational view thereof.

See application file for complete search history.

FIG. 4 is a top plan view thereof.

FIG. 5 is a bottom plan view thereof.

(56) **References Cited**

**U.S. PATENT DOCUMENTS**

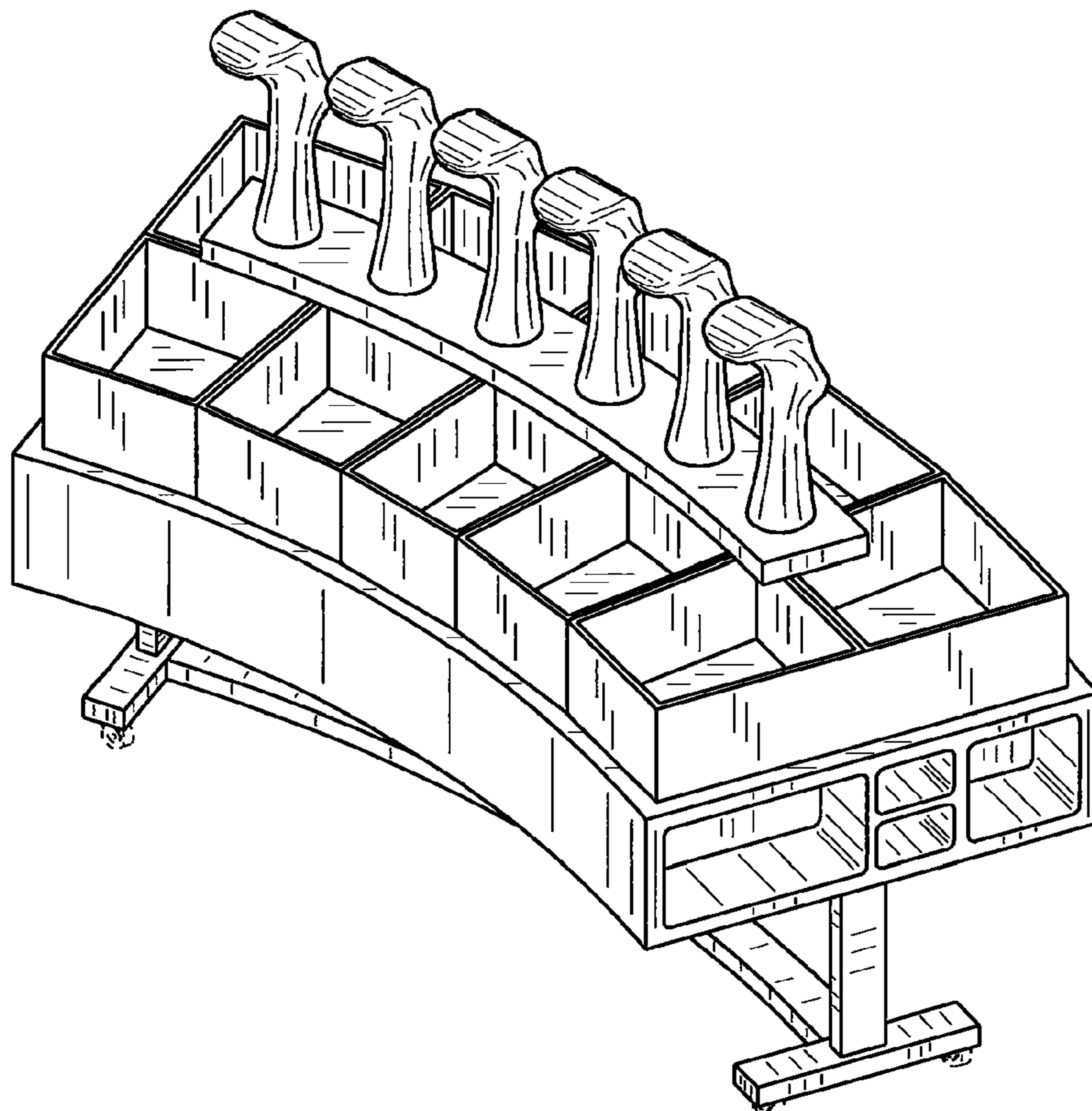
FIG. 6 is a left side elevational view thereof; and,

FIG. 7 is a right side elevational view thereof.

D194,512 S *	2/1963	Donaldson	.....	D32/58
D303,189 S *	9/1989	Mandel	.....	D6/465
D324,142 S *	2/1992	Cassel	.....	D6/462
D457,353 S *	5/2002	Klein et al.	.....	D6/467
D567,540 S *	4/2008	Klein et al.	.....	D6/462

The broken line showing feet are for environmental purposes  
only and form no part of the claimed design.

**1 Claim, 3 Drawing Sheets**



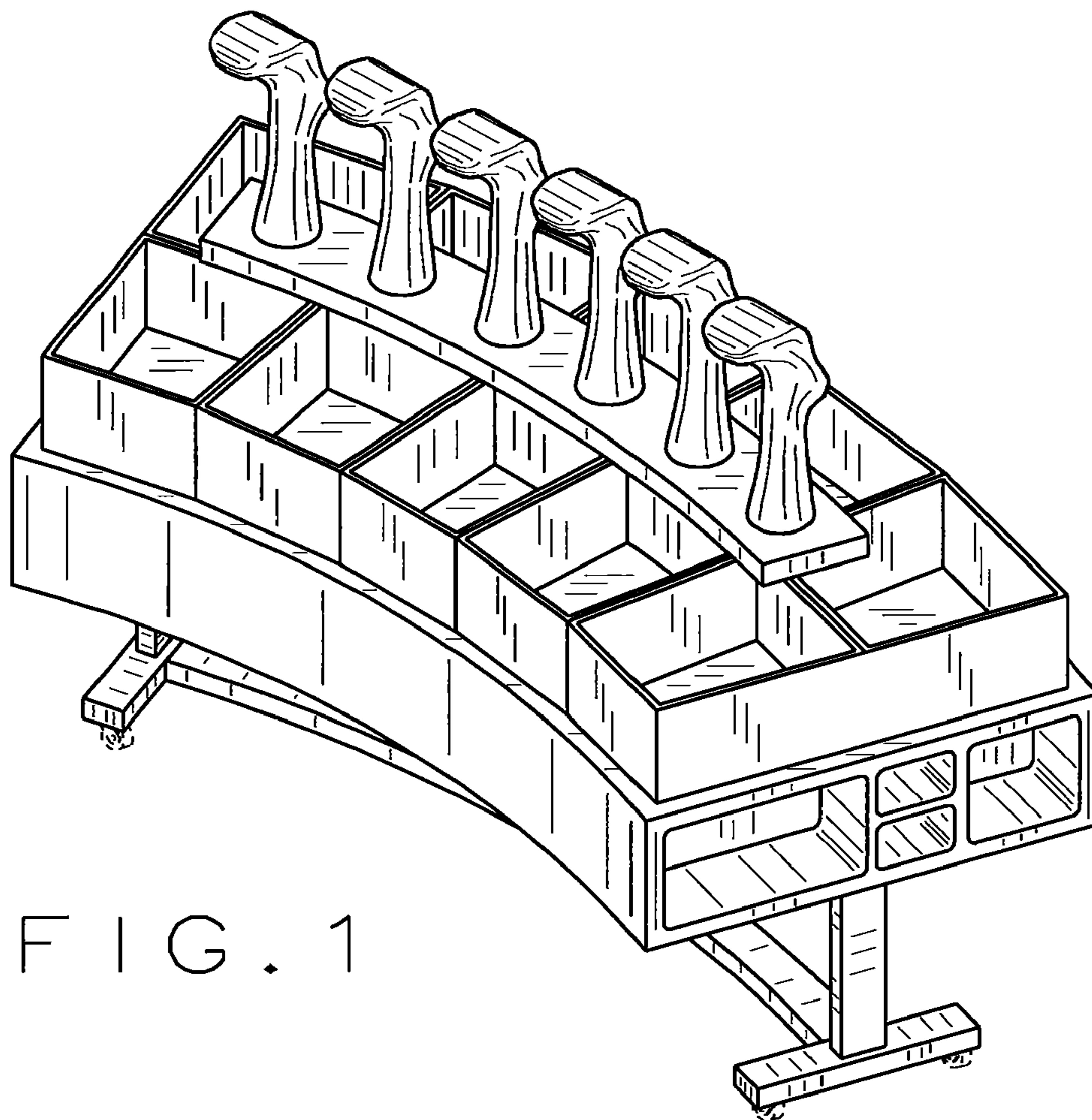


FIG. 1

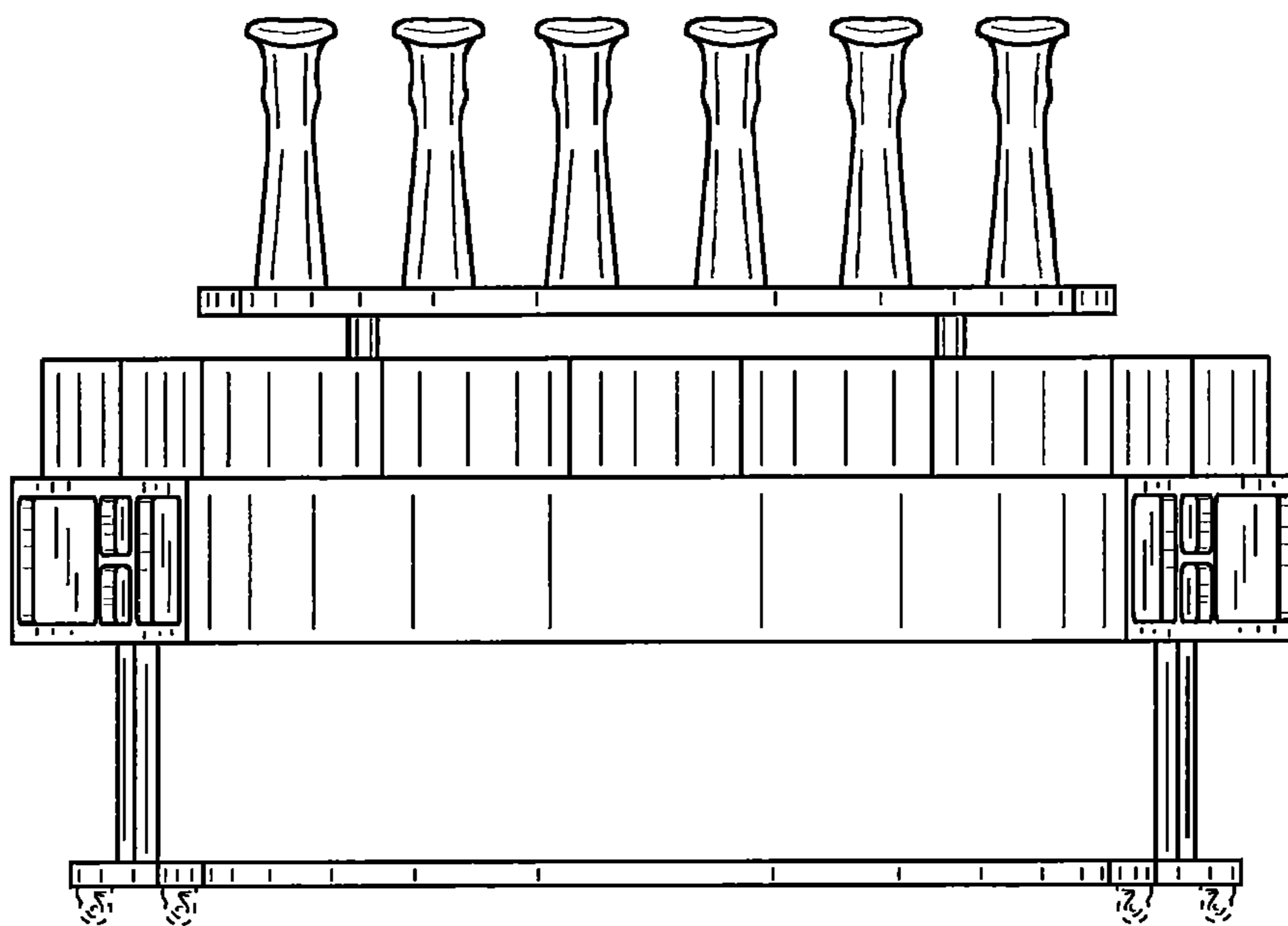


FIG. 2

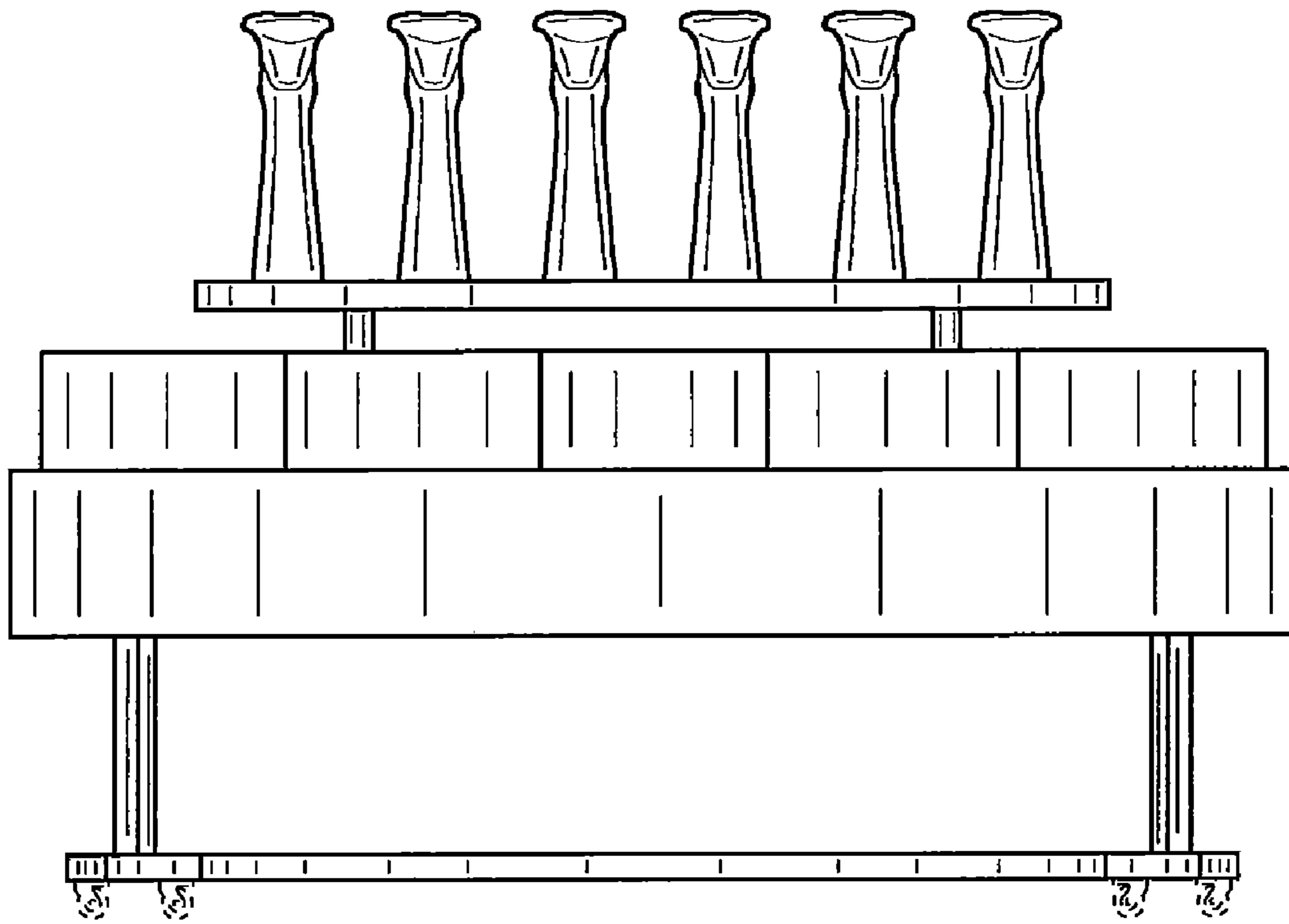


FIG. 3

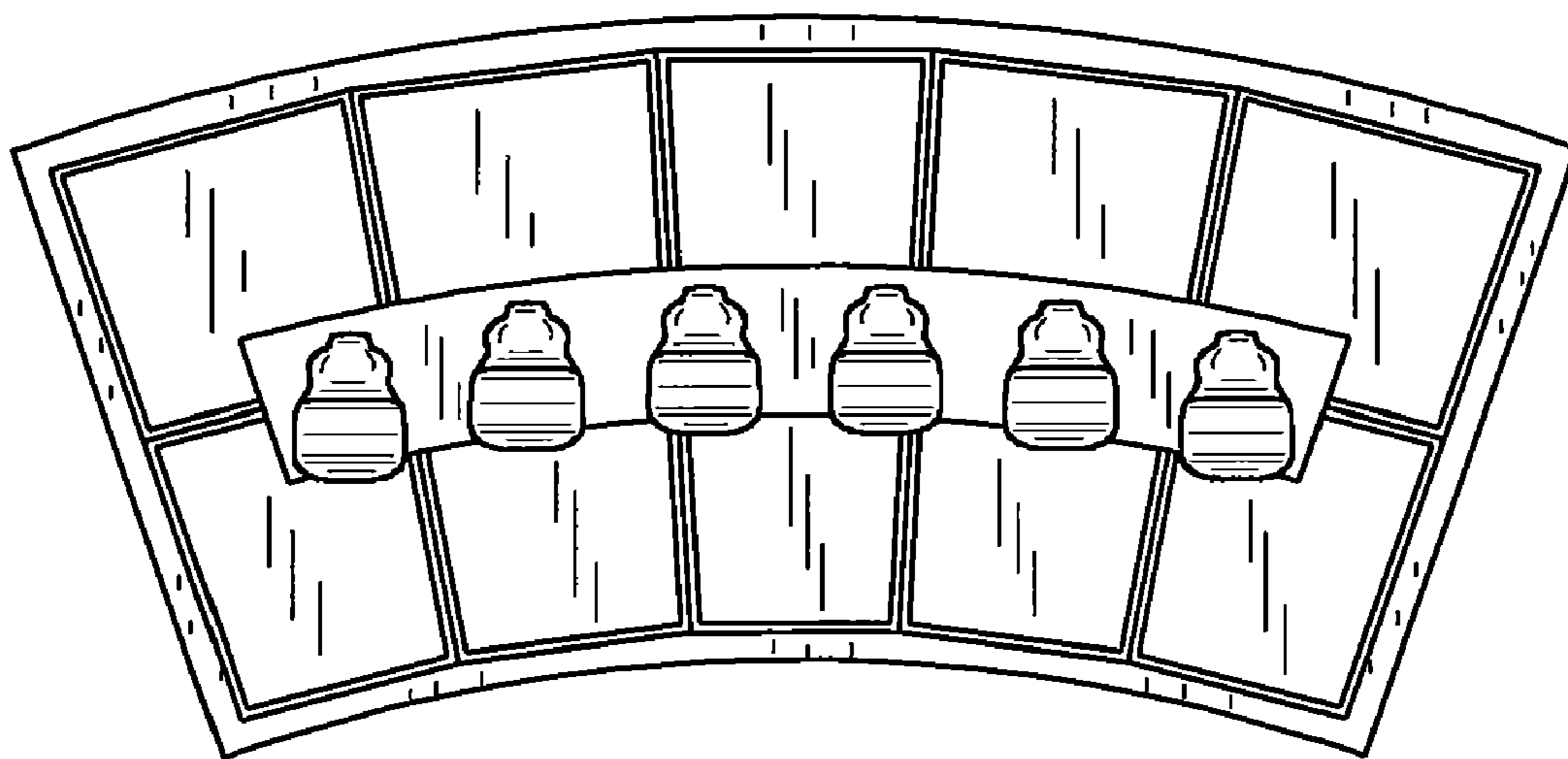


FIG. 4

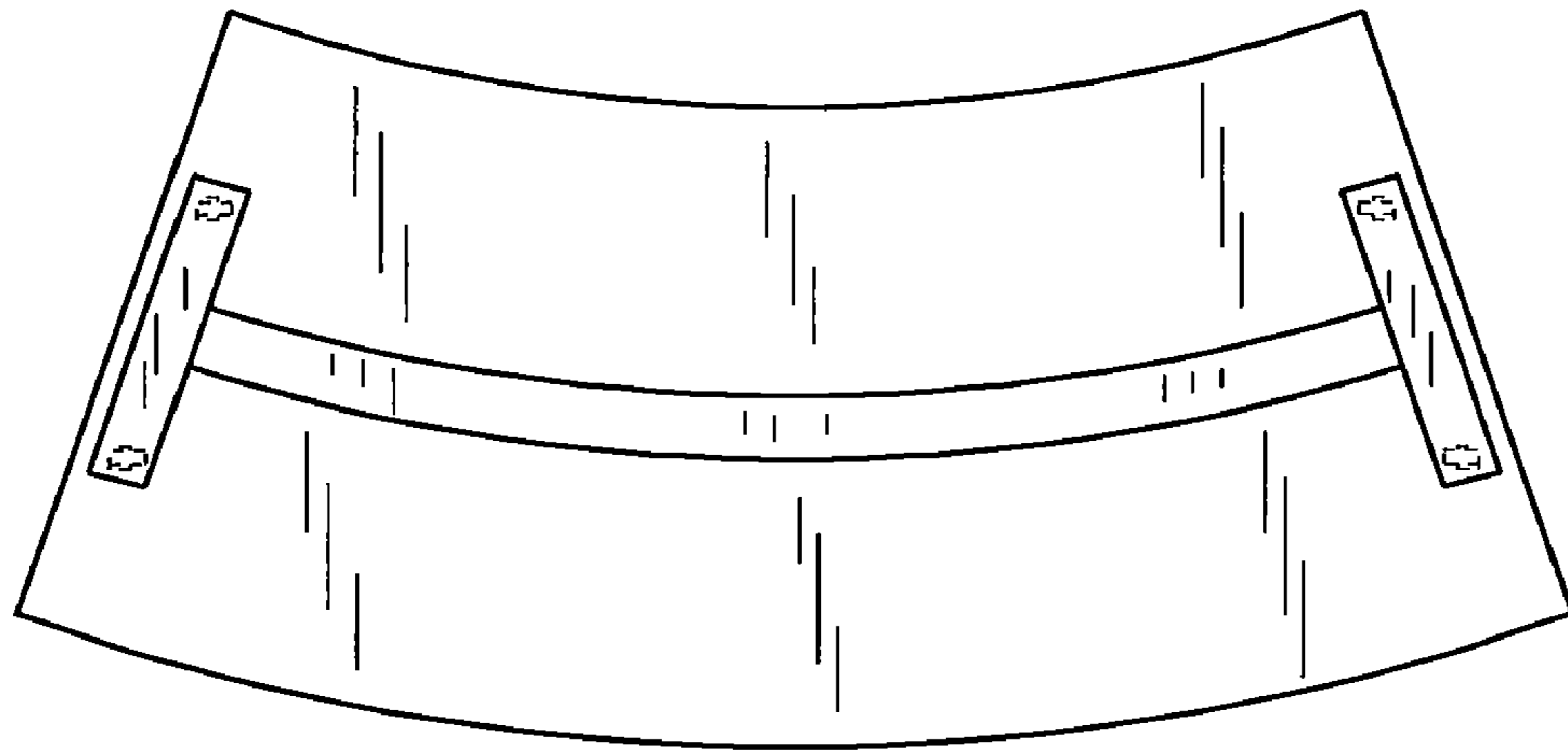


FIG. 5

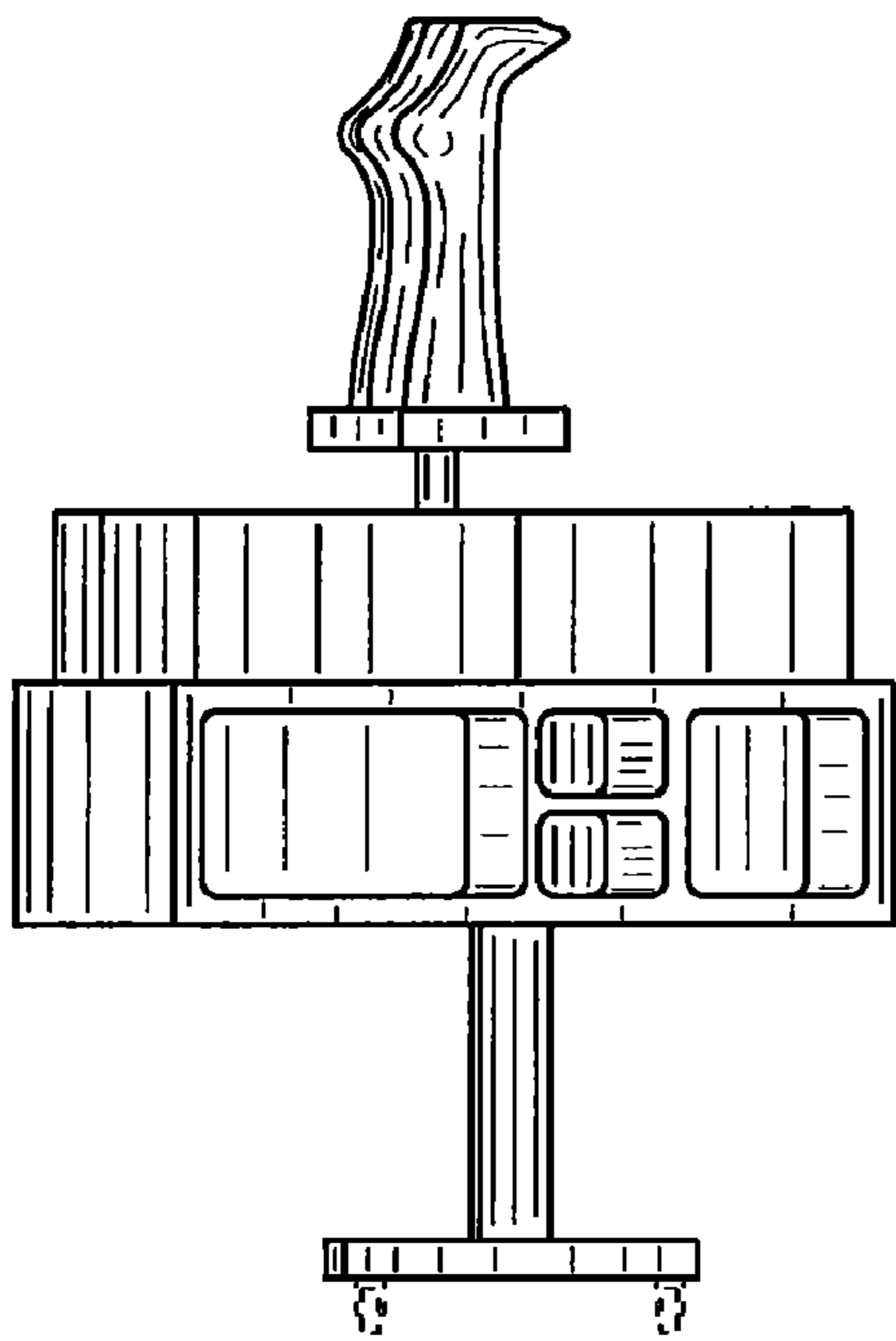


FIG. 6

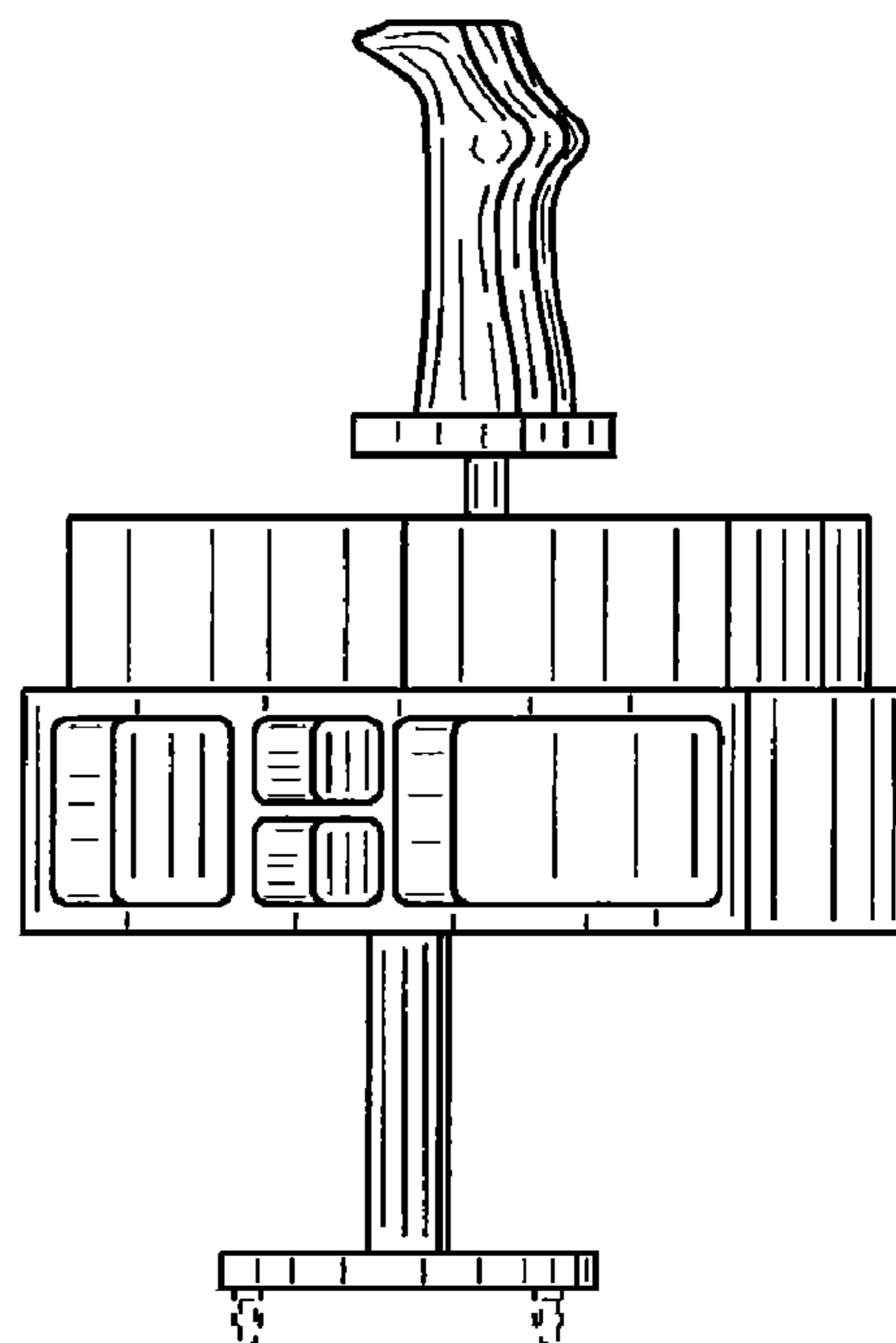


FIG. 7