



US00D613965S

(12) **United States Design Patent**  
**Tertel et al.**

(10) **Patent No.:** **US D613,965 S**  
(45) **Date of Patent:** **\*\* Apr. 20, 2010**

(54) **GAME AND COMPUTER SYSTEM SAFETY STAND**

*Primary Examiner*—Philip S Hyder  
*Assistant Examiner*—Sydney R Buffalow

(76) Inventors: **Wolfgang Werner Tertel**, 4727 Amanda Pl., Pleasanton, CA (US) 94566; **Teo Michael Tertel**, 4727 Amanda Pl., Pleasanton, CA (US) 94566; **Michael William Faber**, 833 Abbie St., Pleasanton, CA (US) 94566

(57) **CLAIM**

The ornamental design for a game and computer system safety stand, as shown and described.

(\*\*) Term: **14 Years**

**DESCRIPTION**

(21) Appl. No.: **29/315,521**

FIG. 1 is a perspective view of a game and computer system safety stand showing our new design in the upright position and facing left;

(22) Filed: **Jul. 2, 2009**

FIG. 2 is a perspective view thereof, in a partially assembled state,

(51) **LOC (9) Cl.** ..... **06-04**

FIG. 3 is a bottom perspective view thereof, in a partially assembled state;

(52) **U.S. Cl.** ..... **D6/462**

FIG. 4 is a side view thereof, in a partially assembled state;

(58) **Field of Classification Search** ..... D6/467,  
D6/462, 464, 465; 211/85.31, 45, 184, 118,  
211/181.1, 11, 55, 119; 224/277; 99/426  
See application file for complete search history.

FIG. 5 is an end view thereof, in a partially assembled state;

FIG. 6 is a top view of the stand portion of the design, wherein the base units are omitted for ease of illustration;

(56) **References Cited**

FIG. 7 is a bottom view of the stand portion of the design, wherein the base units are omitted for ease of illustration;

**U.S. PATENT DOCUMENTS**

FIG. 8 is a top view of FIG. 1;

D167,356 S *	7/1952	Jensen	.....	D6/462
D174,647 S *	5/1955	Maslow	.....	D6/464
2,969,154 A *	1/1961	Pelletier	.....	211/85.31
2,969,900 A *	1/1961	Heuler	.....	224/277
4,023,682 A *	5/1977	Niece	.....	211/184
4,872,580 A *	10/1989	Fuller et al.	.....	211/45
D321,798 S *	11/1991	Buckley	.....	D6/462
D331,675 S *	12/1992	David	.....	D6/462
D334,301 S *	3/1993	Buckley	.....	D6/462
D350,038 S *	8/1994	Buckley	.....	D6/462
6,595,120 B1 *	7/2003	Tiemann	.....	99/426
2007/0062897 A1 *	3/2007	Lawrence	.....	211/118

FIG. 9 is a bottom view of FIG. 1;

FIG. 10 is a top view of one a base unit shown separately for ease of illustration, both base units having the same dimensions thereof; and,

FIG. 11 is a bottom view of a base unit shown separately for ease of illustration, both base units having the same dimensions.

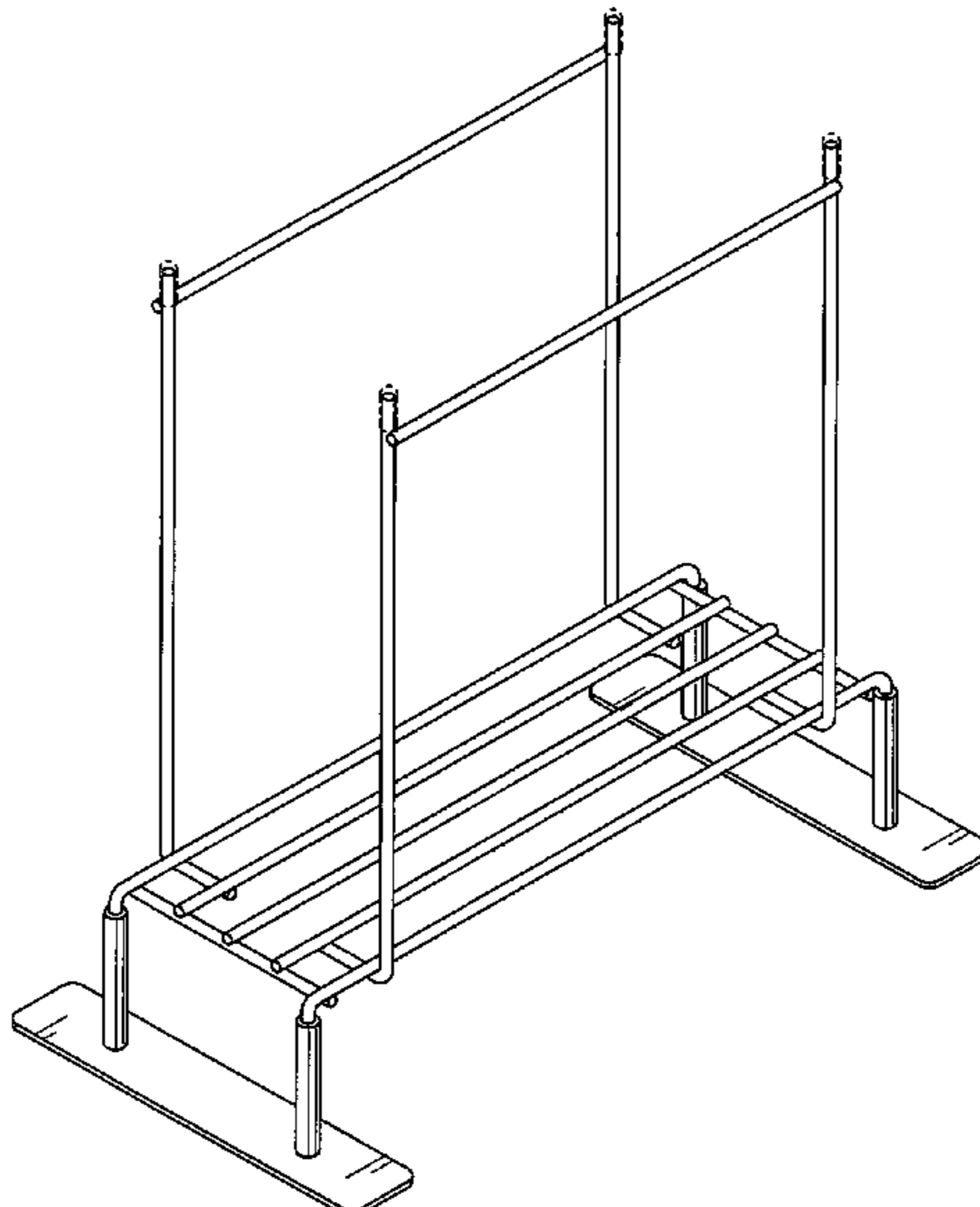
A game and computer system safety stand where the stand functions to support game and computer systems keeping them from falling over, providing proper air flow for cooling and proper ventilation in order to reduce fire hazard of over-heated systems.

**OTHER PUBLICATIONS**

Game & Computer System Safety Stand.

\* cited by examiner

**1 Claim, 8 Drawing Sheets**



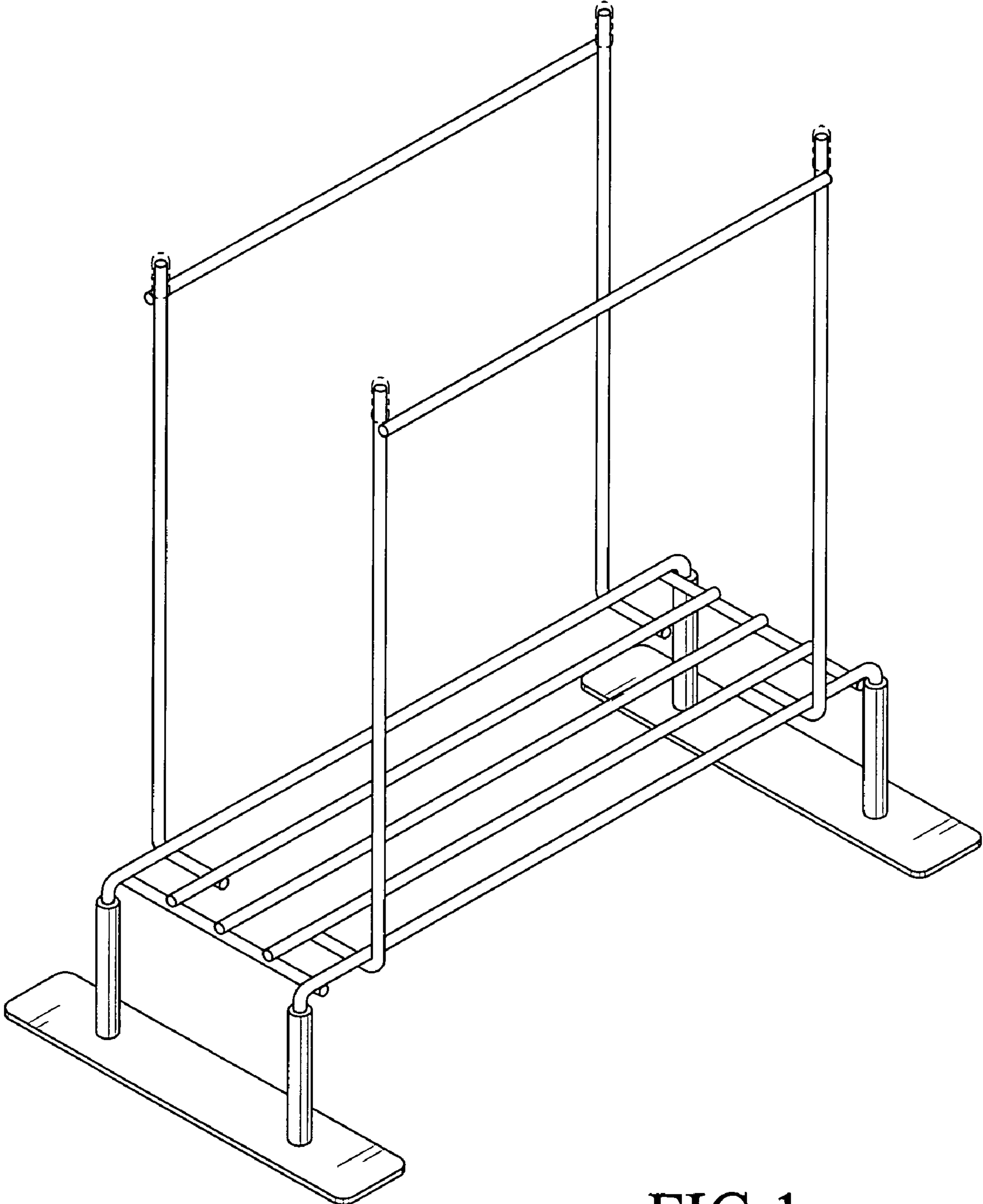


FIG.1

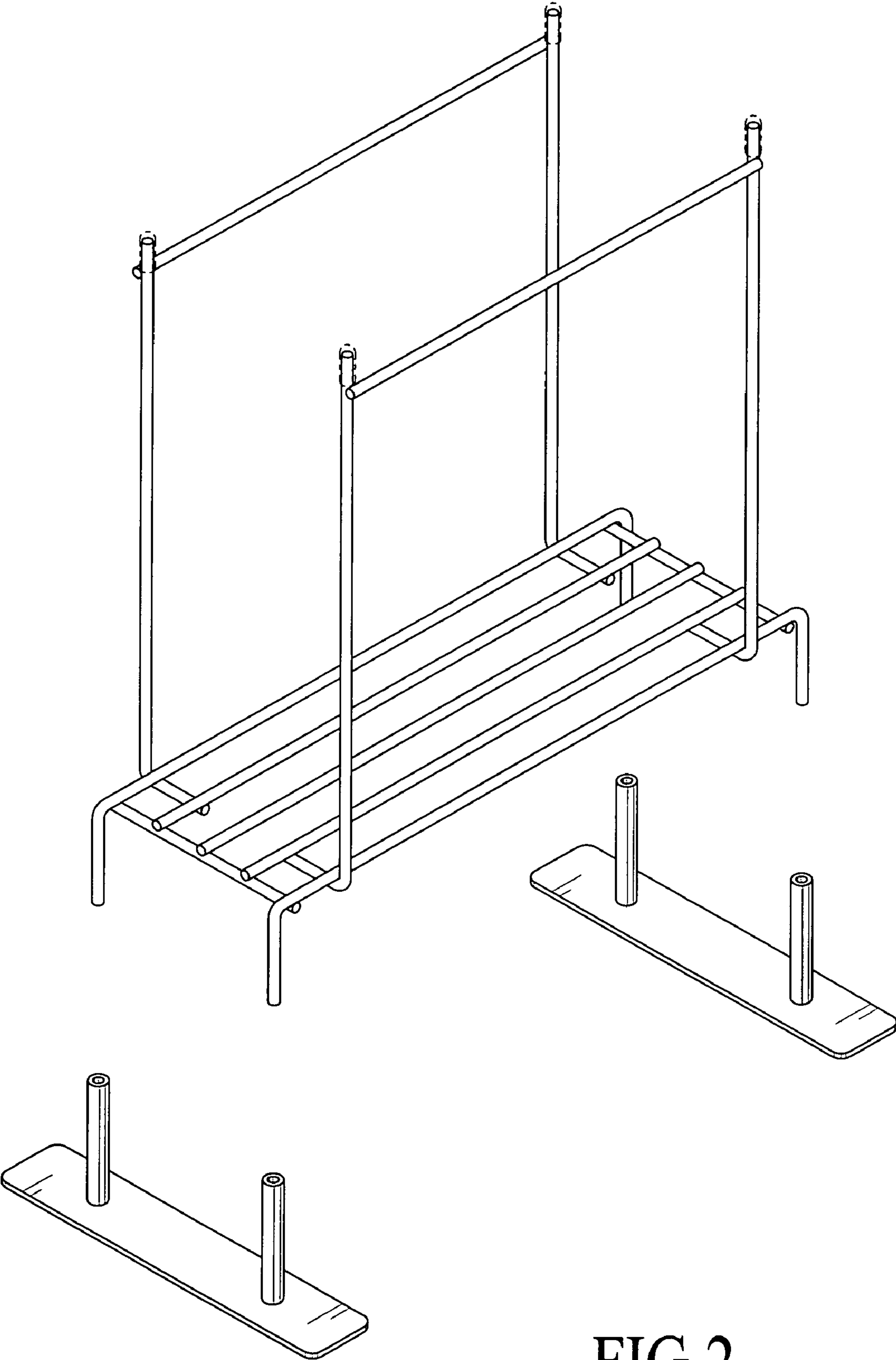


FIG. 2

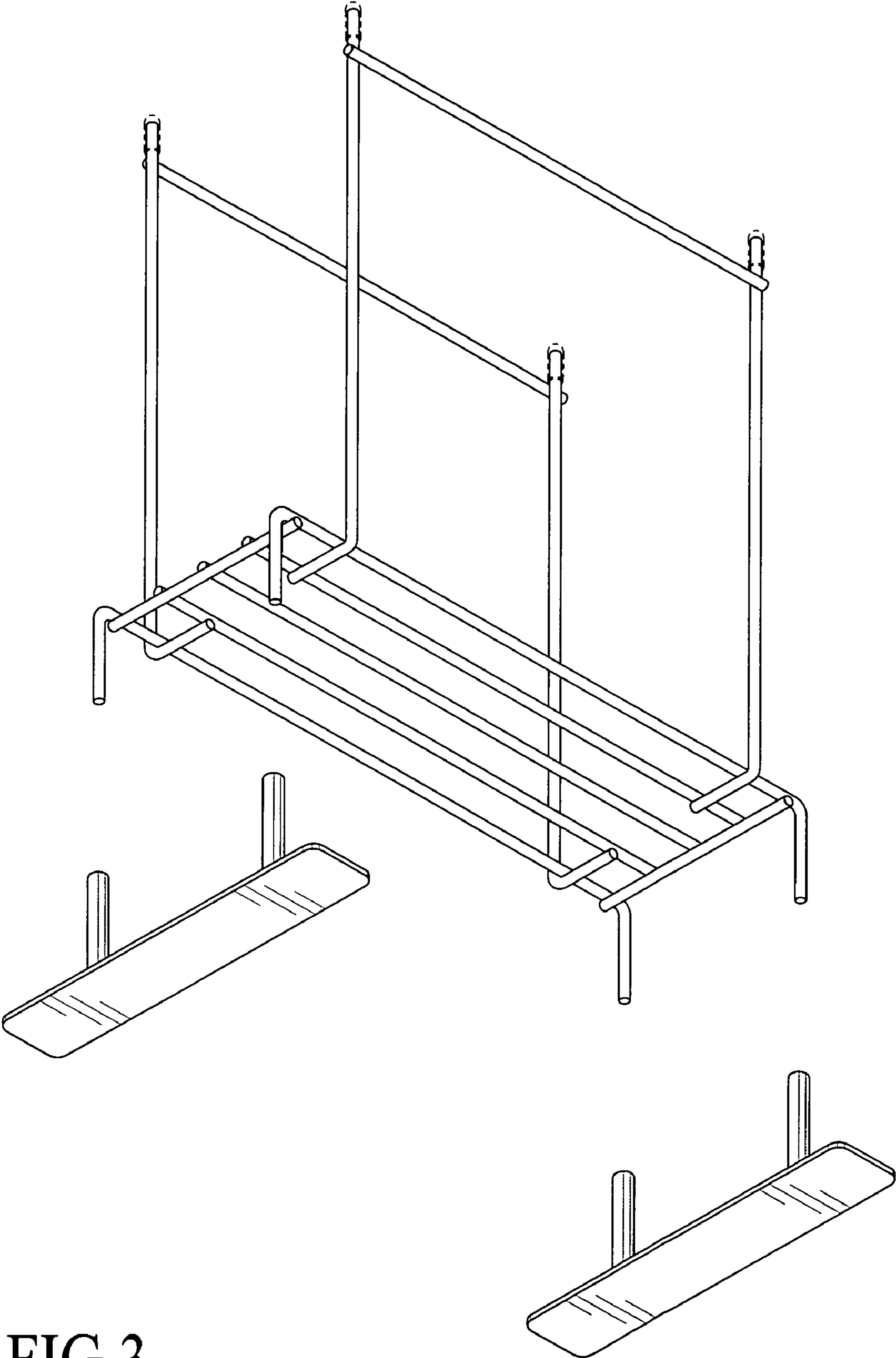


FIG.3

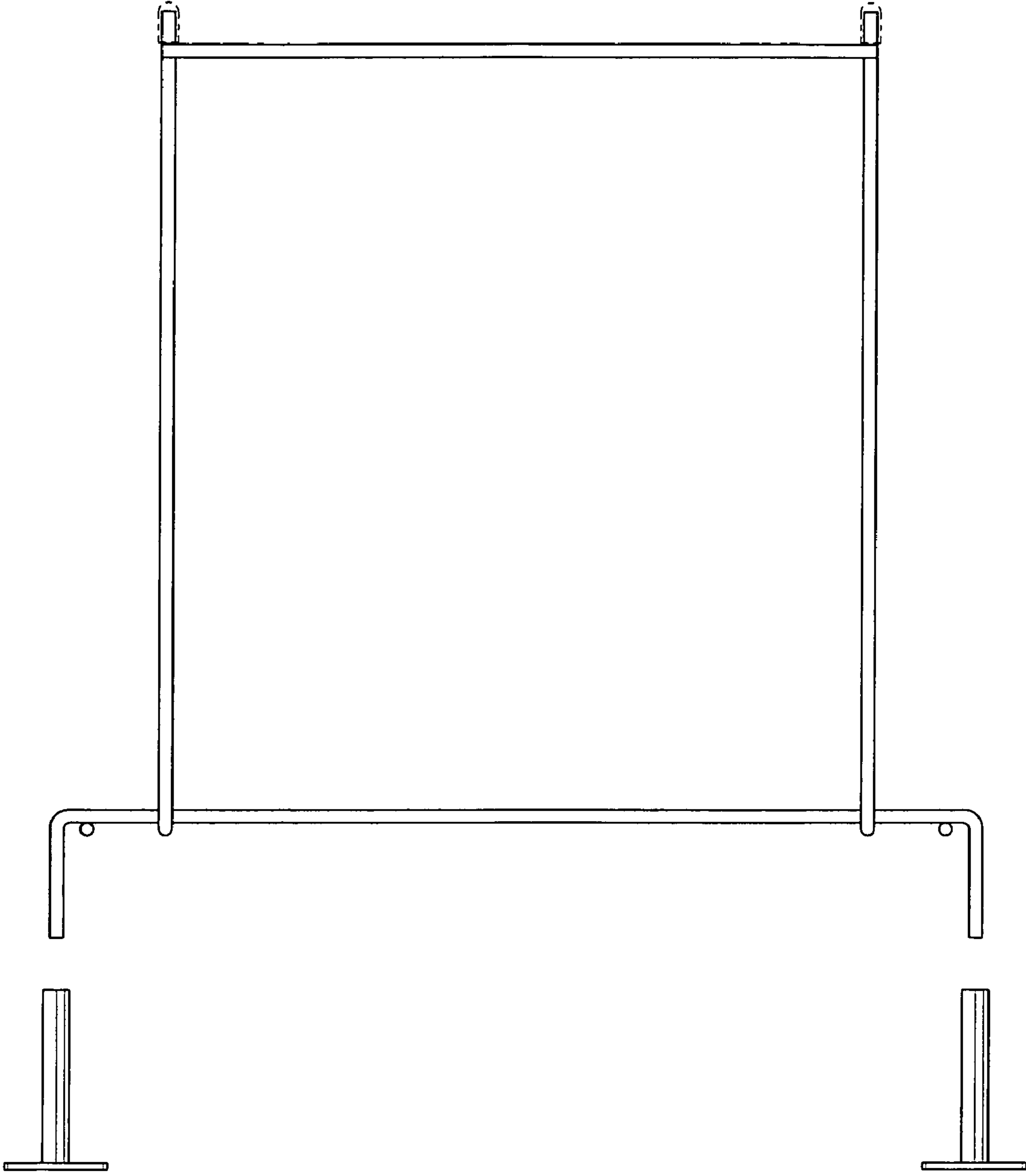


FIG.4

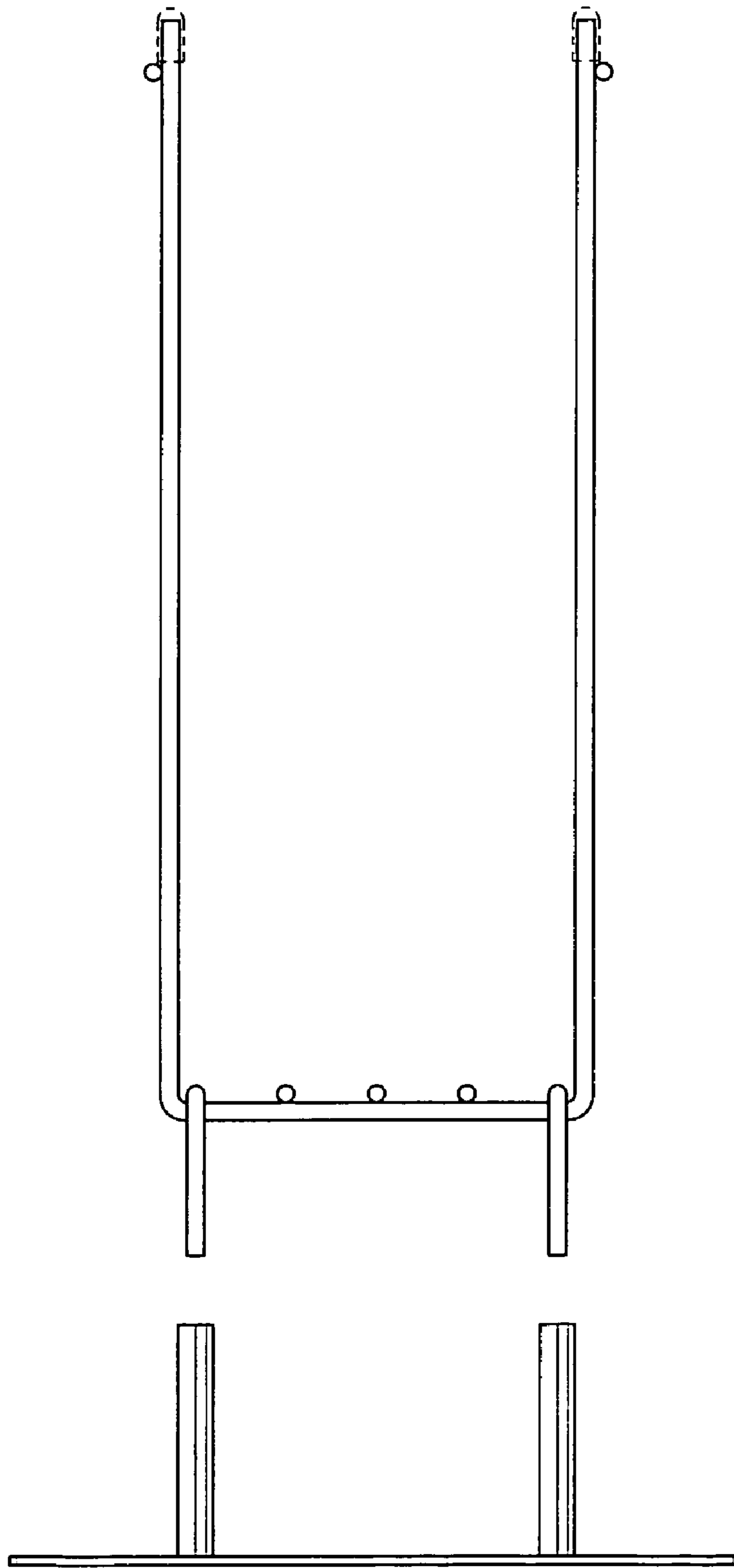


FIG.5

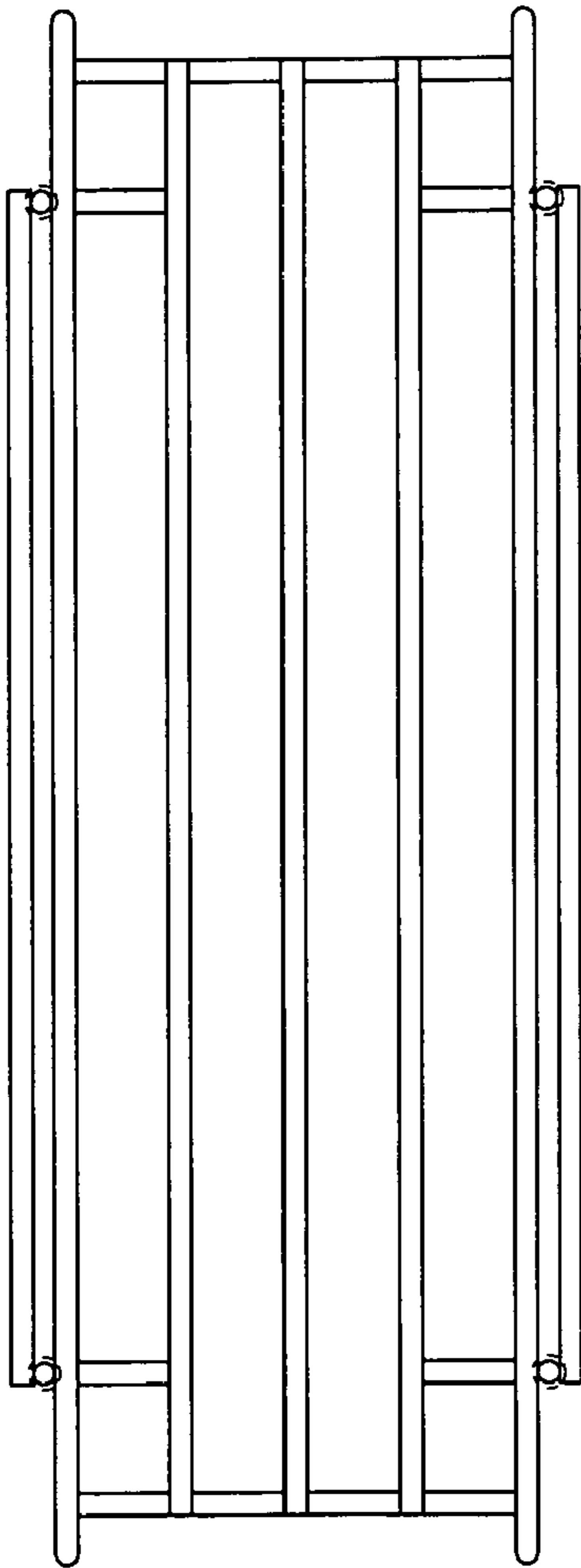


FIG. 6

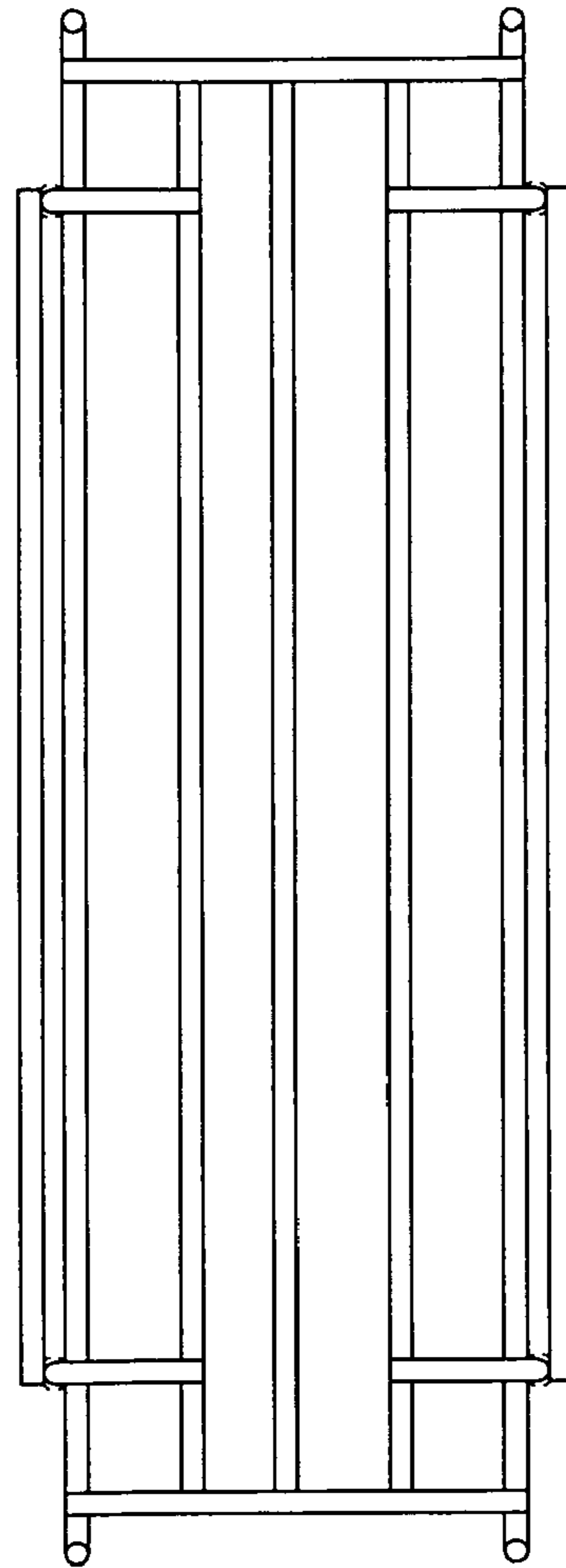


FIG. 7

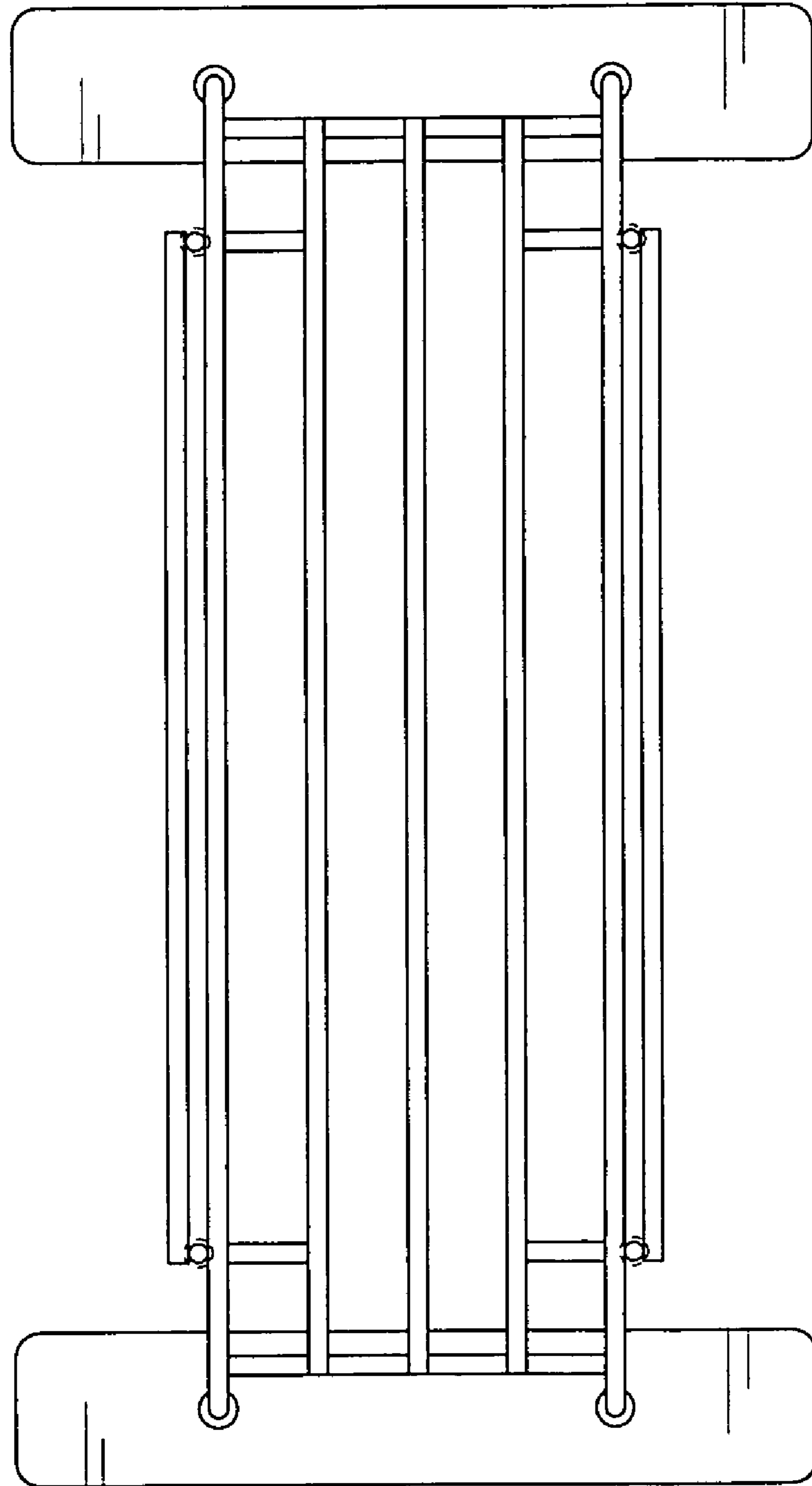


FIG. 8



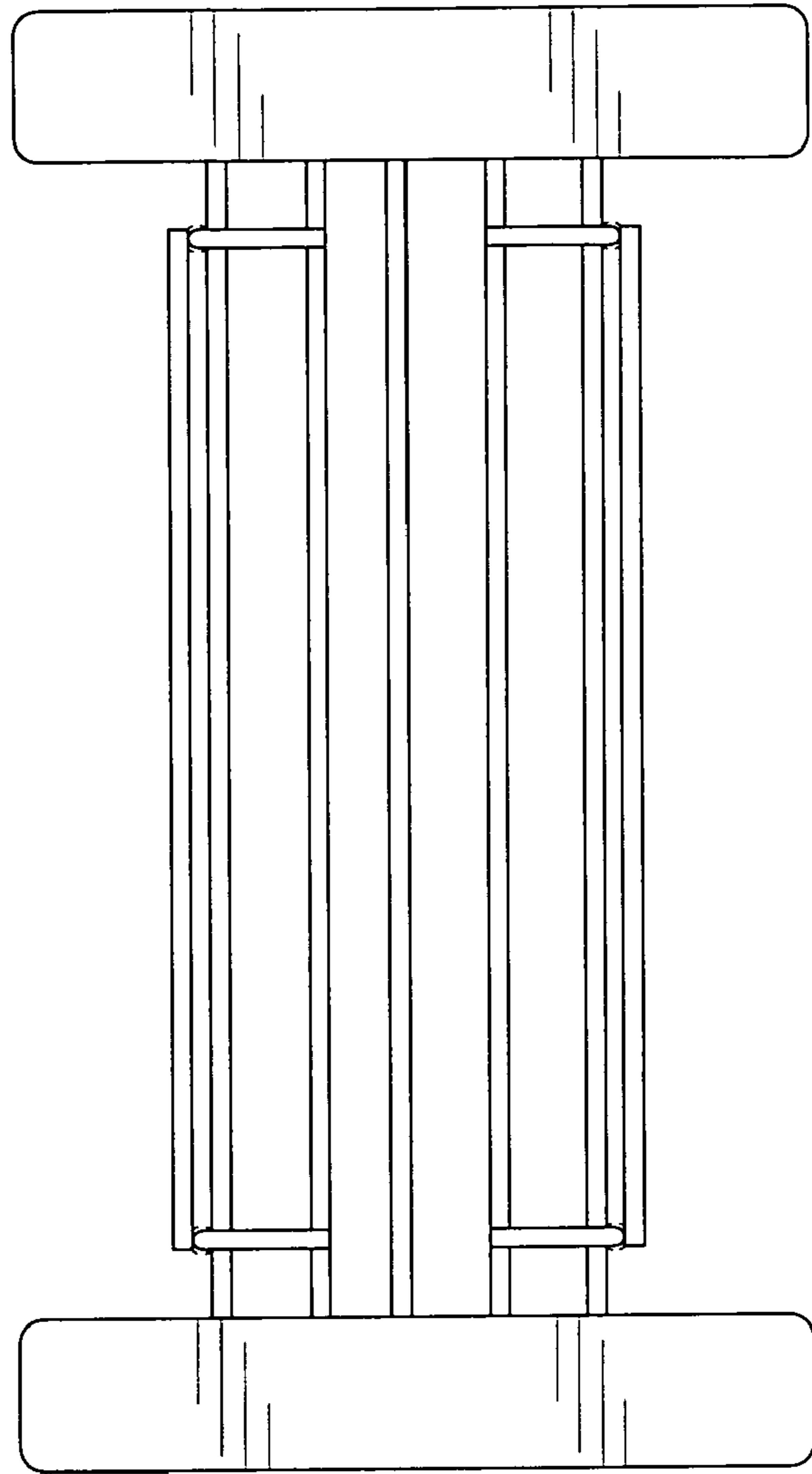


FIG.9



FIG.10

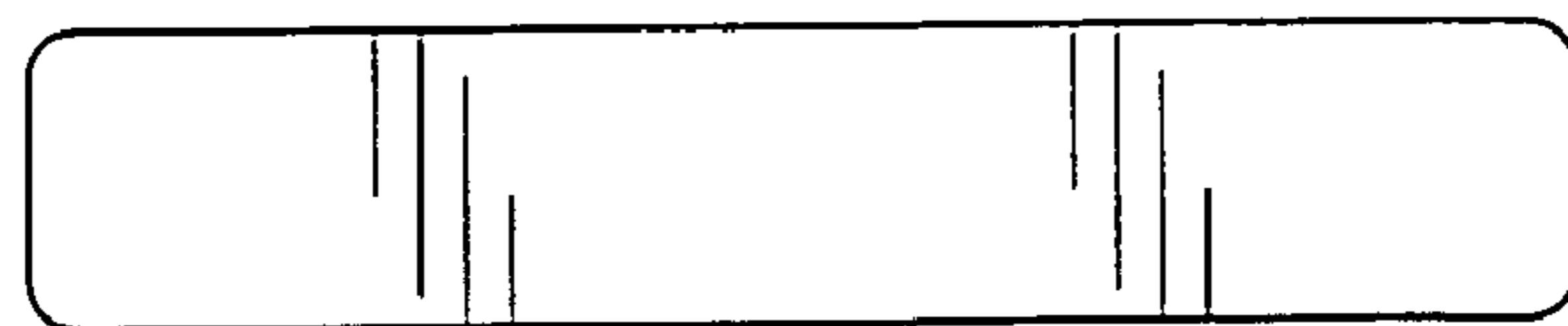


FIG.11