



US00D613964S

(12) **United States Design Patent**
Nielsen

(10) **Patent No.:** **US D613,964 S**

(45) **Date of Patent:** **** Apr. 20, 2010**

(54) **FRAME FOR SHELVES**

(75) Inventor: **Britta Claire Nielsen**, Seattle, WA (US)

(73) Assignee: **Slam Brands, Inc.**, Redmond, WA (US)

(**) Term: **14 Years**

(21) Appl. No.: **29/345,004**

(22) Filed: **Oct. 7, 2009**

(51) **LOC (9) Cl.** **06-04**

(52) **U.S. Cl.** **D6/449; D6/474**

(58) **Field of Classification Search** D6/449,
D6/474, 477-479, 461, 460, 468, 441, 481,
D6/70; 312/7.2, 9.1; 108/59, 91, 92, 96;
211/40, 41.12, 42, 49.1, 50, 85.2, 90.04,
211/187, 190, 119.003, 134.153, 87.01, 71.01
See application file for complete search history.

(56) **References Cited**

U.S. PATENT DOCUMENTS

D134,390 S *	11/1942	Waltman	D6/479
D139,893 S *	1/1945	Roberts et al.	D6/481
D239,901 S *	5/1976	Goulder	D6/479
D396,582 S *	8/1998	Ilitch et al.	D6/481
D494,385 S *	8/2004	Mitchell	D6/470
D552,380 S *	10/2007	Lowsky	D6/481
D555,939 S *	11/2007	Woodward et al.	D6/477
D569,133 S *	5/2008	Sheppard	D6/481
D586,580 S *	2/2009	Lim	D6/441

* cited by examiner

Primary Examiner—Philip S Hyder
Assistant Examiner—Sydney R Buffalow

(74) *Attorney, Agent, or Firm*—Turocy & Watson, LLP;
Thomas E. Watson

(57) **CLAIM**

The ornamental design for a frame for shelves, as shown and described.

DESCRIPTION

FIG. 1 is a first perspective view of a design for the frame for shelves;

FIG. 2 is the first perspective view without environmental elements blocking a view thereof;

FIG. 3 is a second perspective view of the design therefor;

FIG. 4 is the second perspective view without environmental elements blocking a view thereof;

FIG. 5 is a right side view of the design therefor, which view is mirrored by the left side view opposing the right side view;

FIG. 6 is a front view of the design therefor;

FIG. 7 is the front view without environmental elements blocking a view thereof;

FIG. 8 is a rear view of the design therefor;

FIG. 9 is the rear view without environmental elements blocking a view thereof;

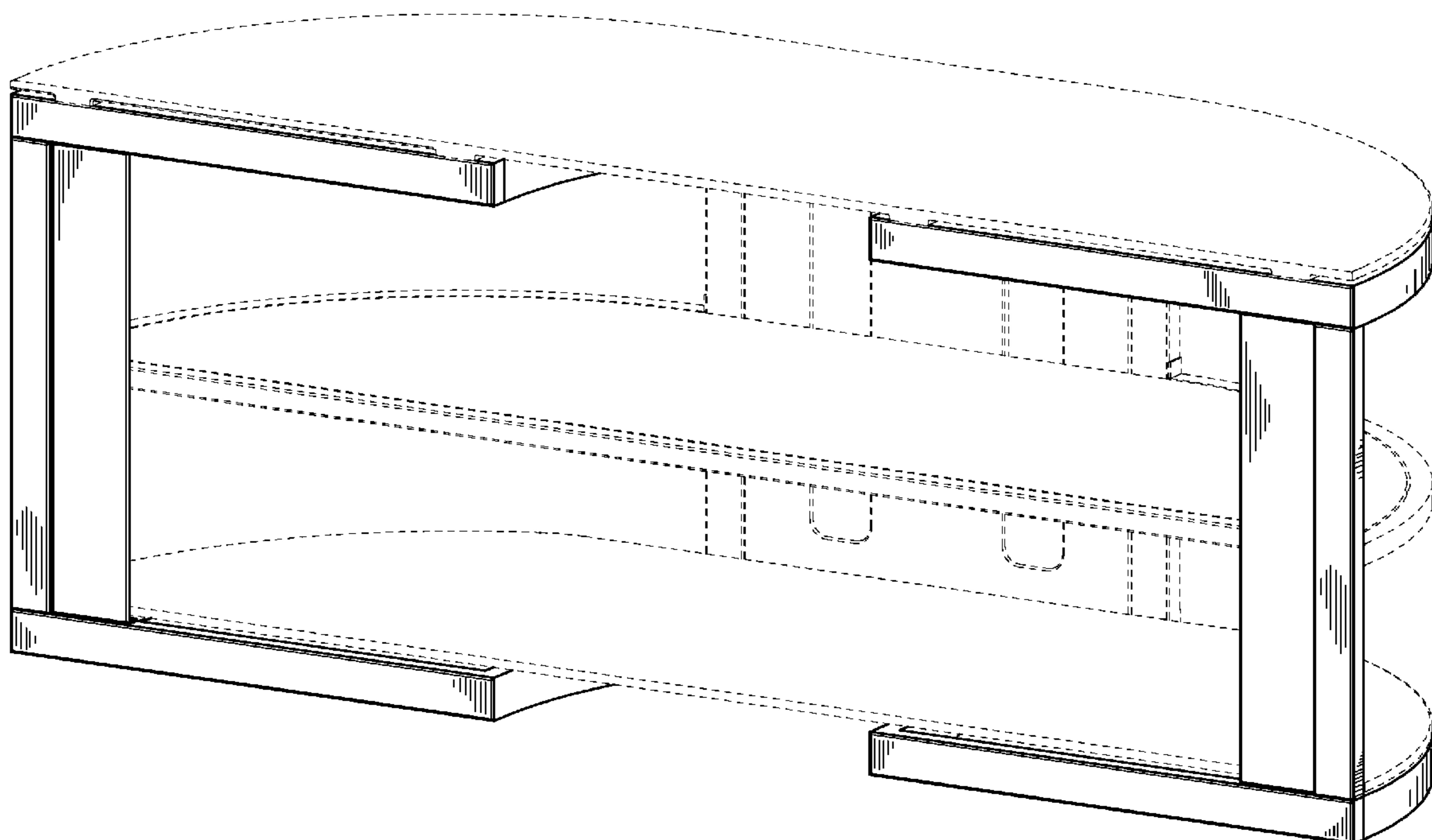
FIG. 10 is a top plan view of the design therefor;

FIG. 11 is the top plan view without environmental elements blocking a view thereof; and,

FIG. 12 is a bottom plan view of the design therefor.

The dashed lines in the drawings are shown for environmental purposes and form no part of the claimed design.

1 Claim, 12 Drawing Sheets



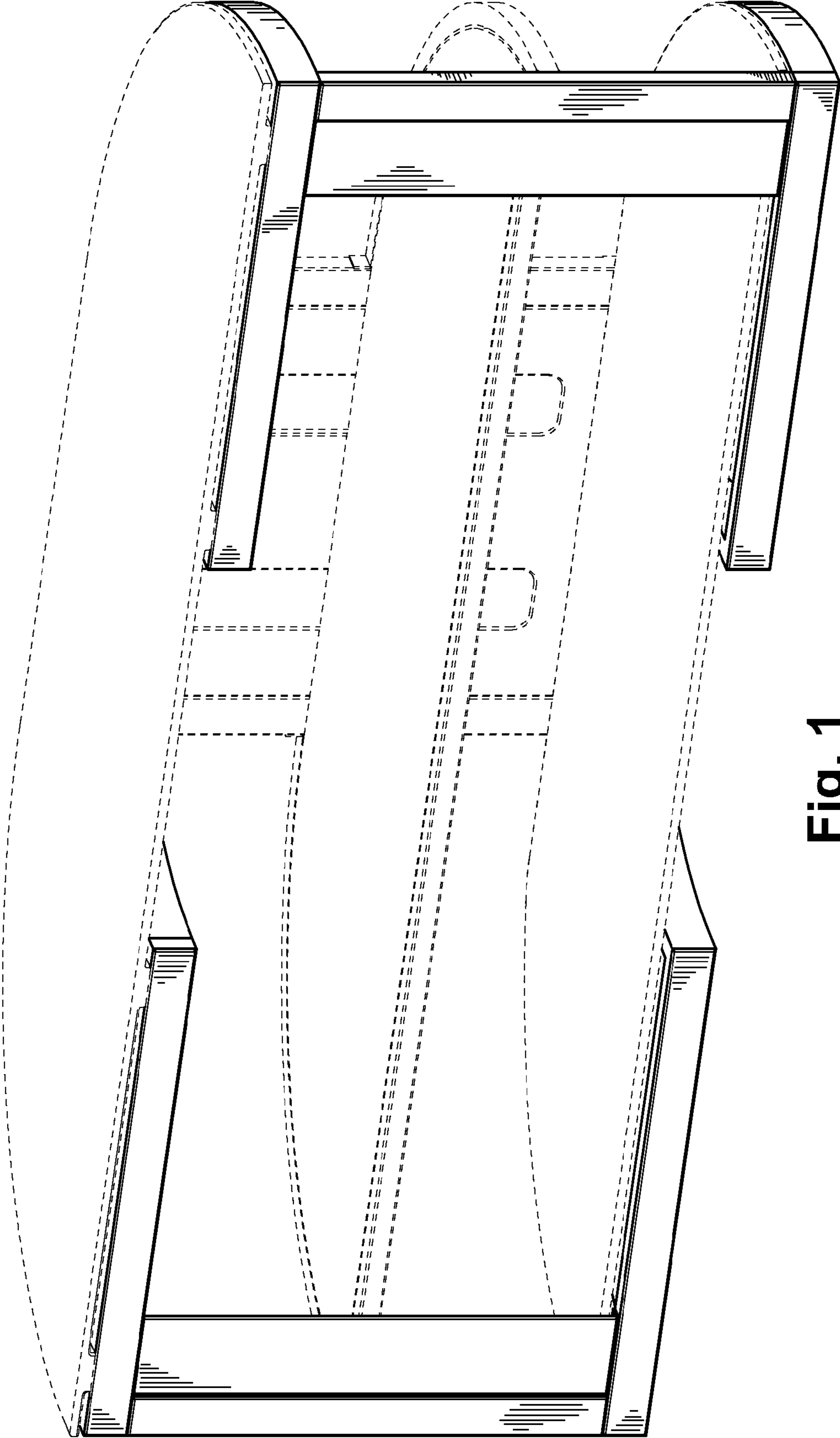


Fig. 1

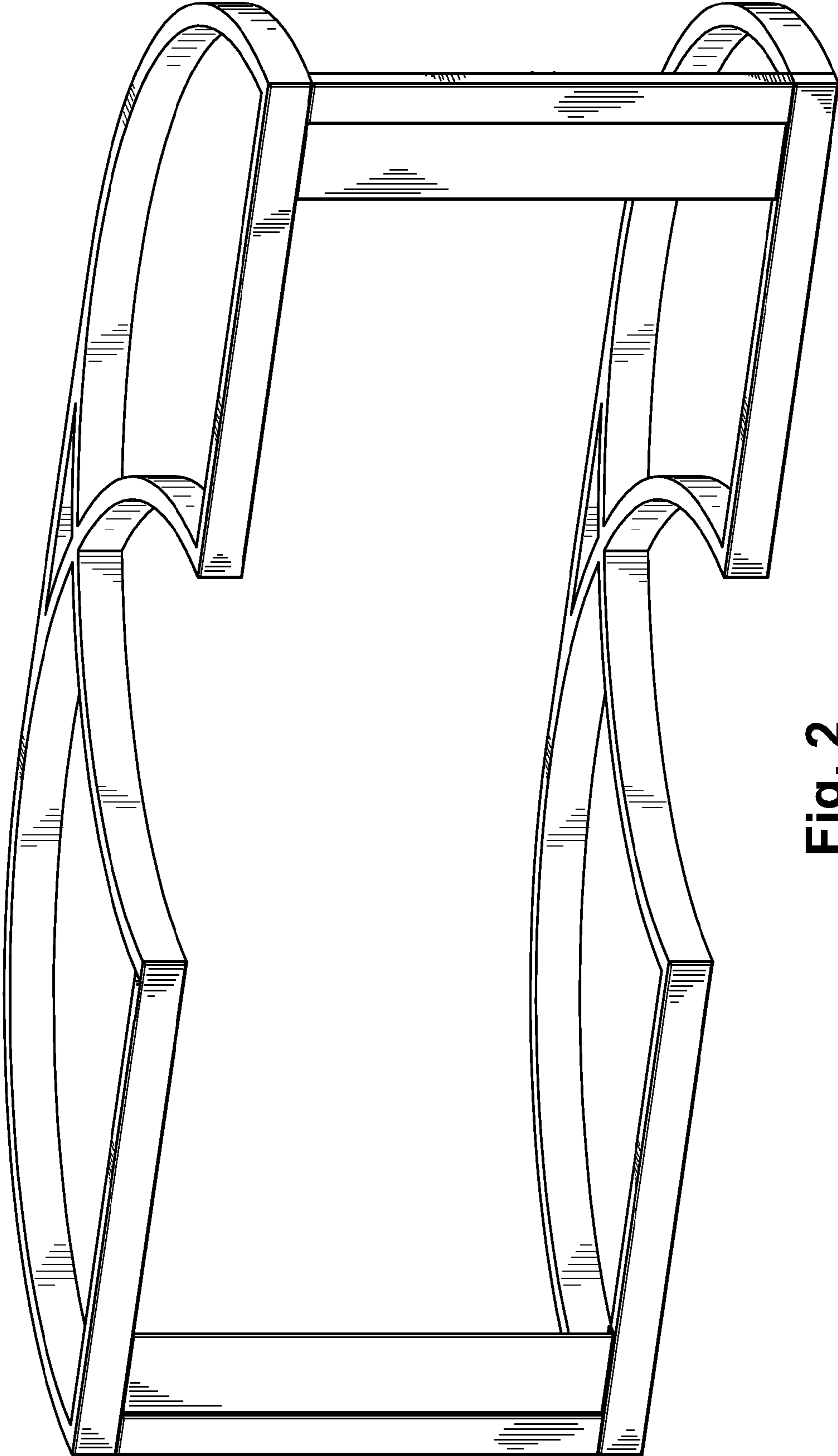


Fig. 2

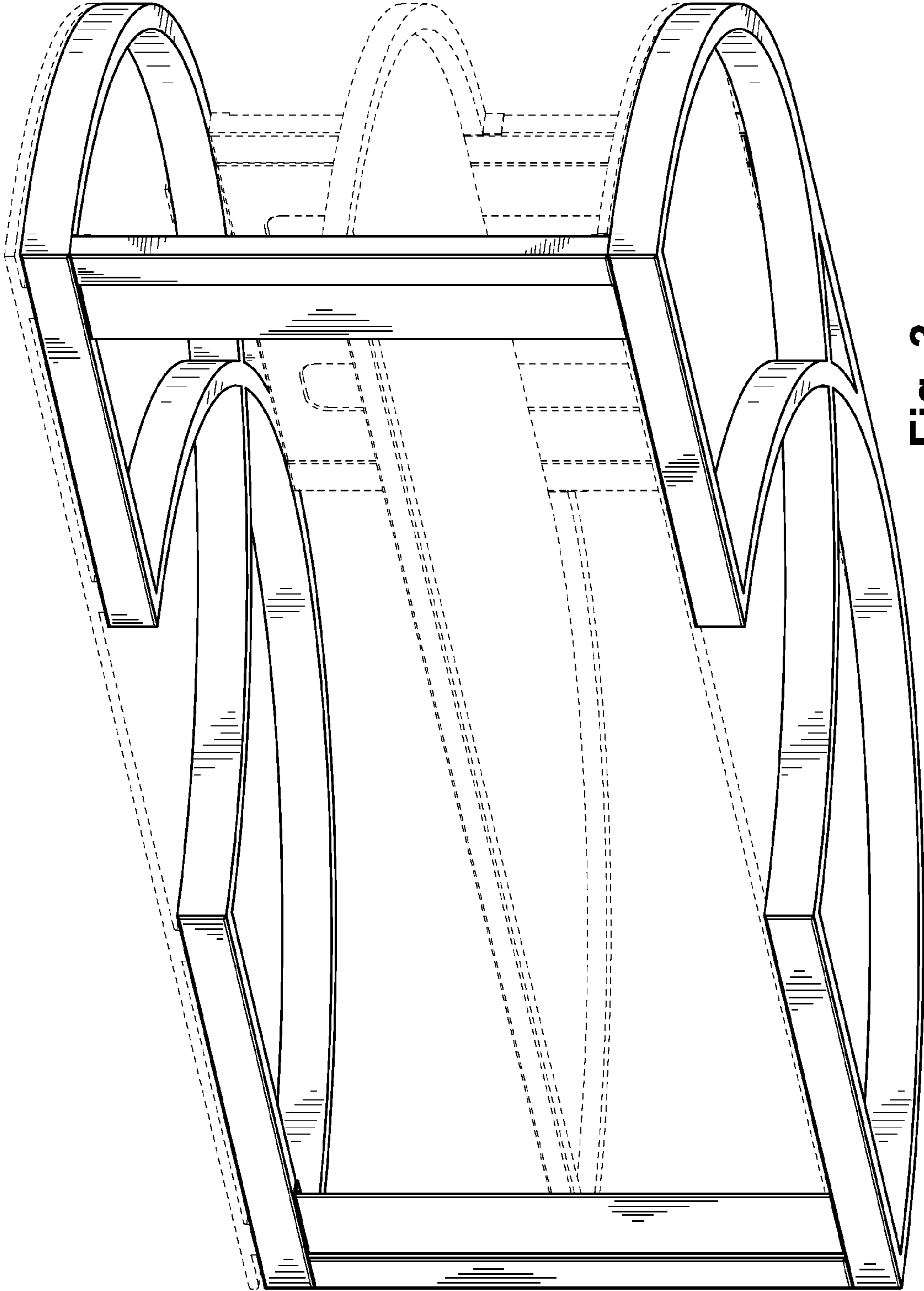


Fig. 3

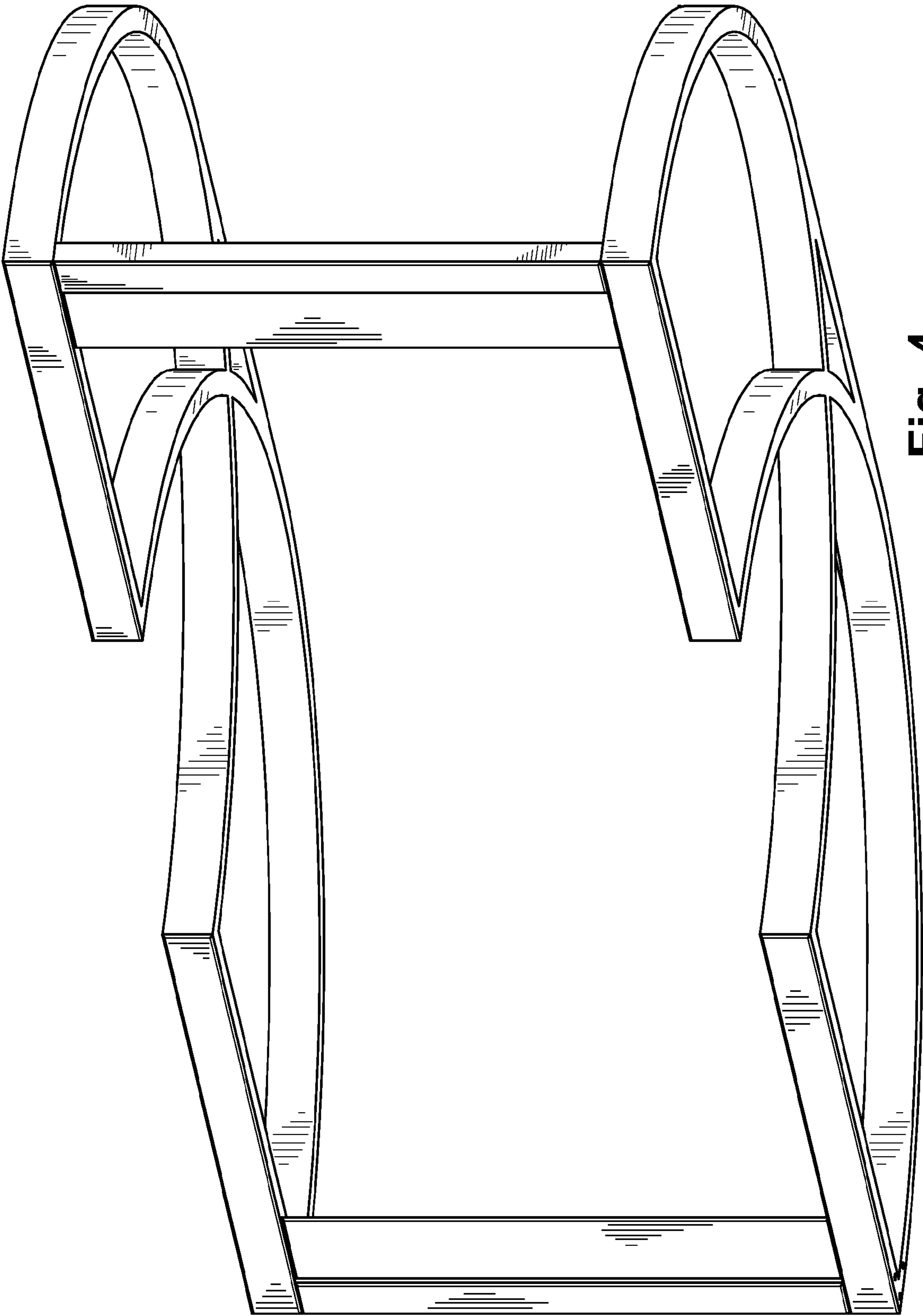


Fig. 4

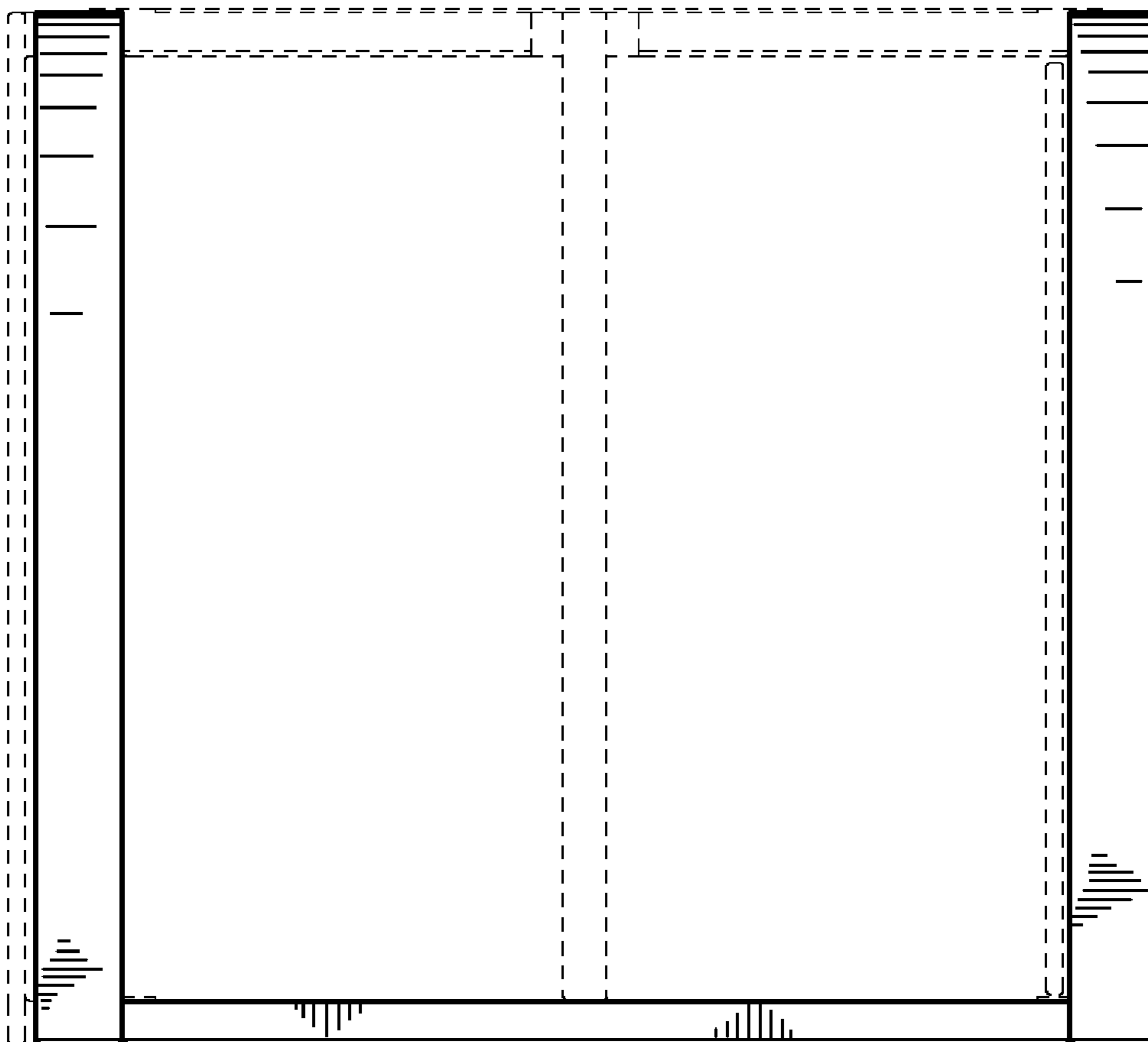


Fig. 5

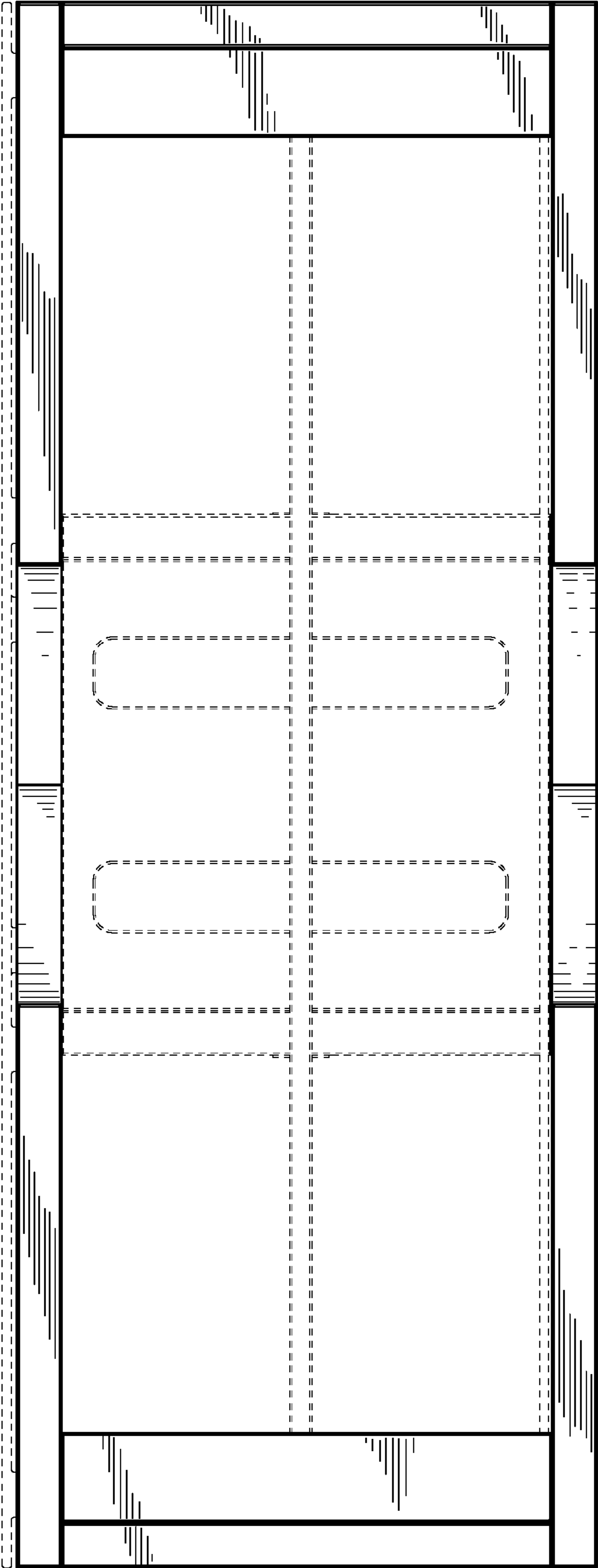


Fig. 6

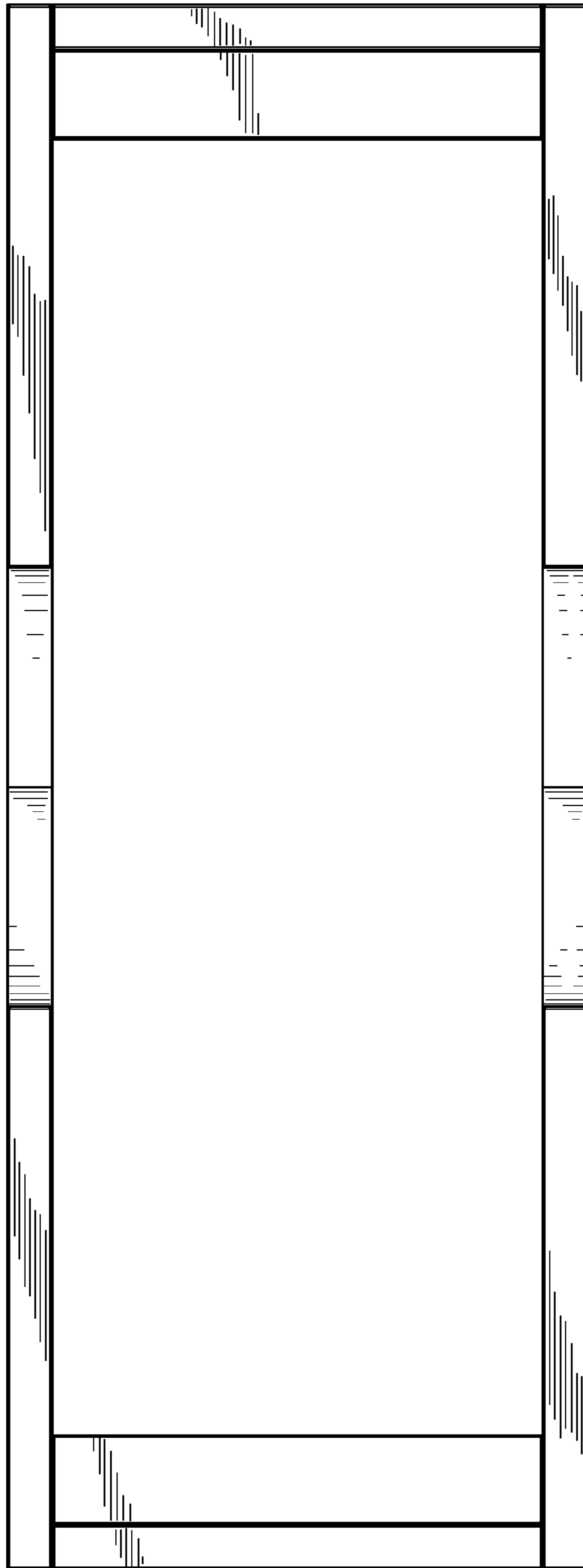


Fig. 7

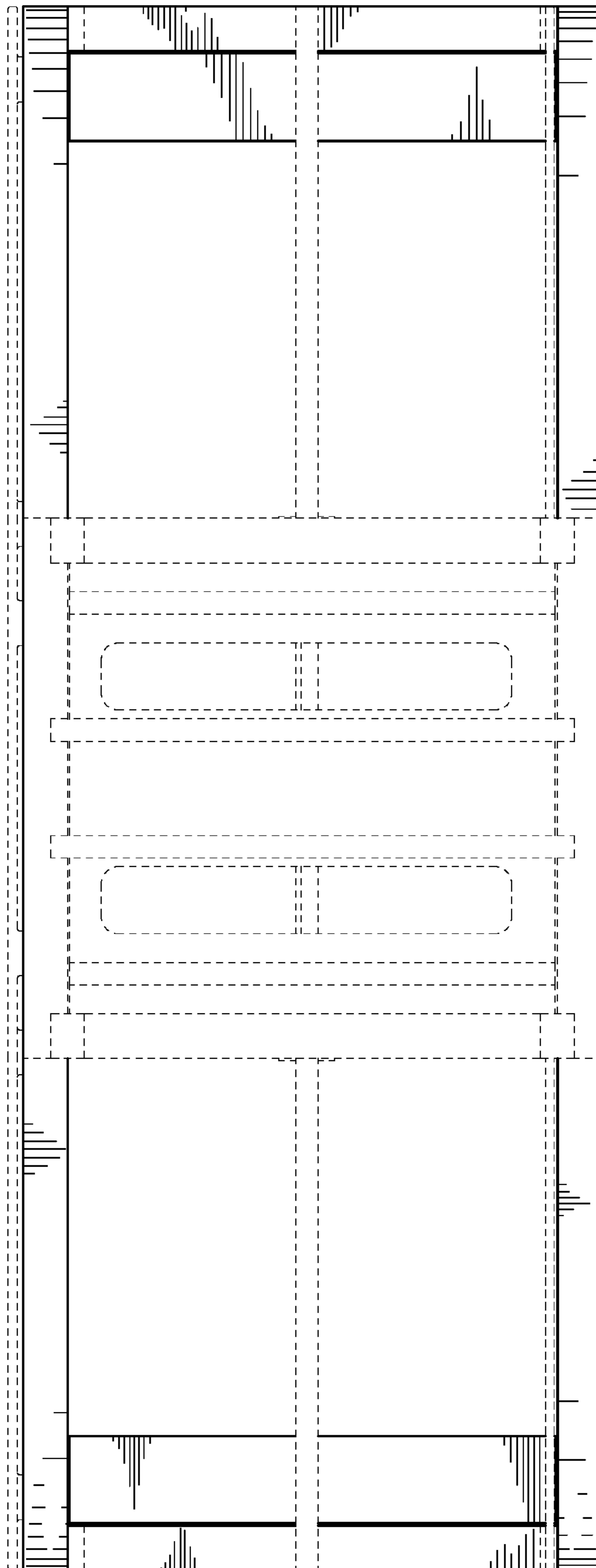


Fig. 8

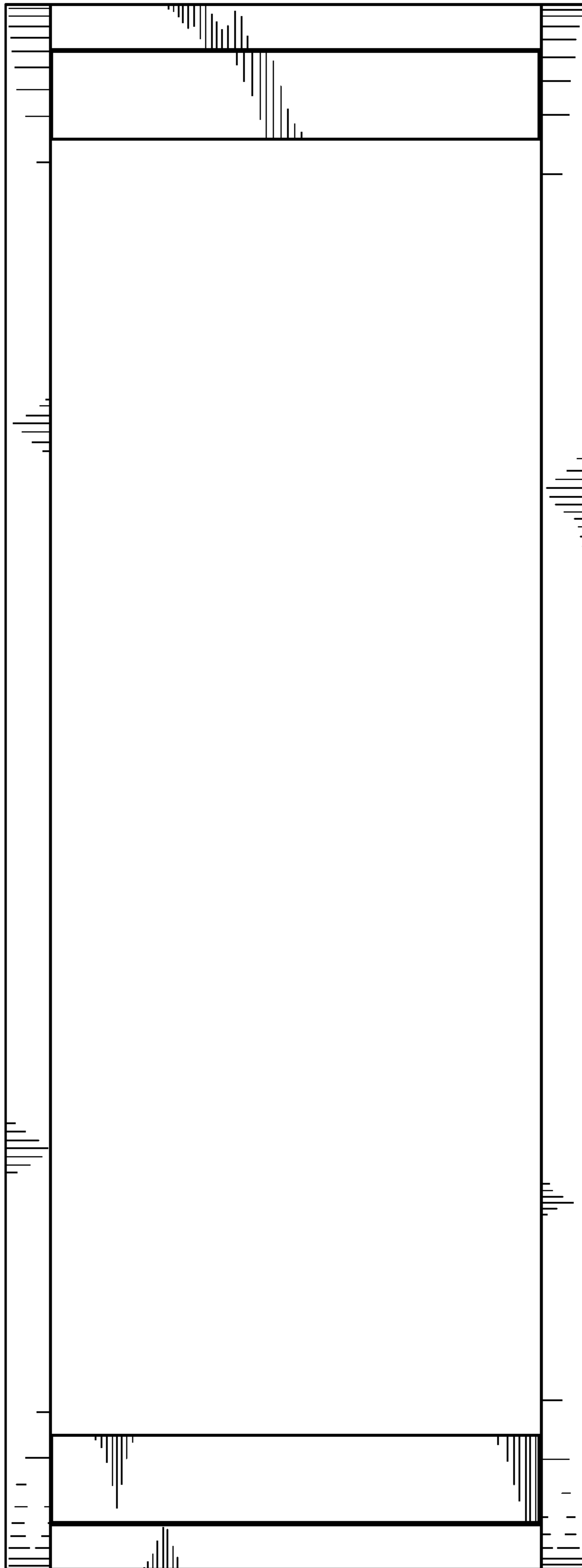


Fig. 9

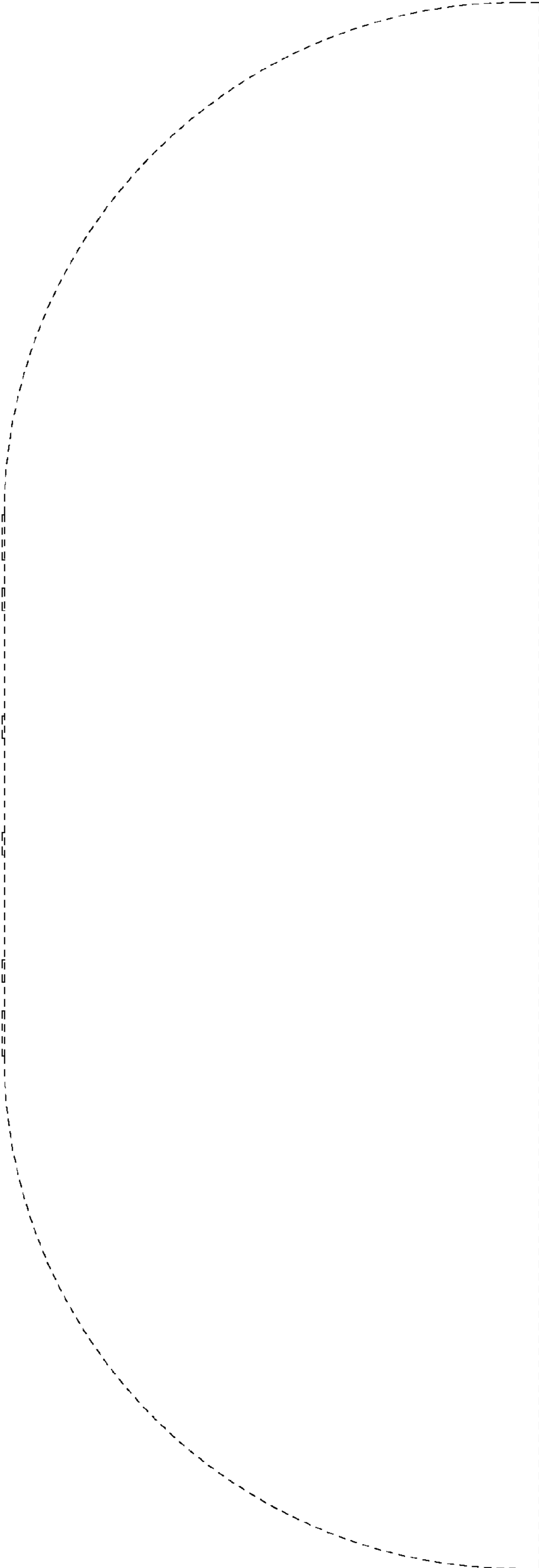


Fig. 10

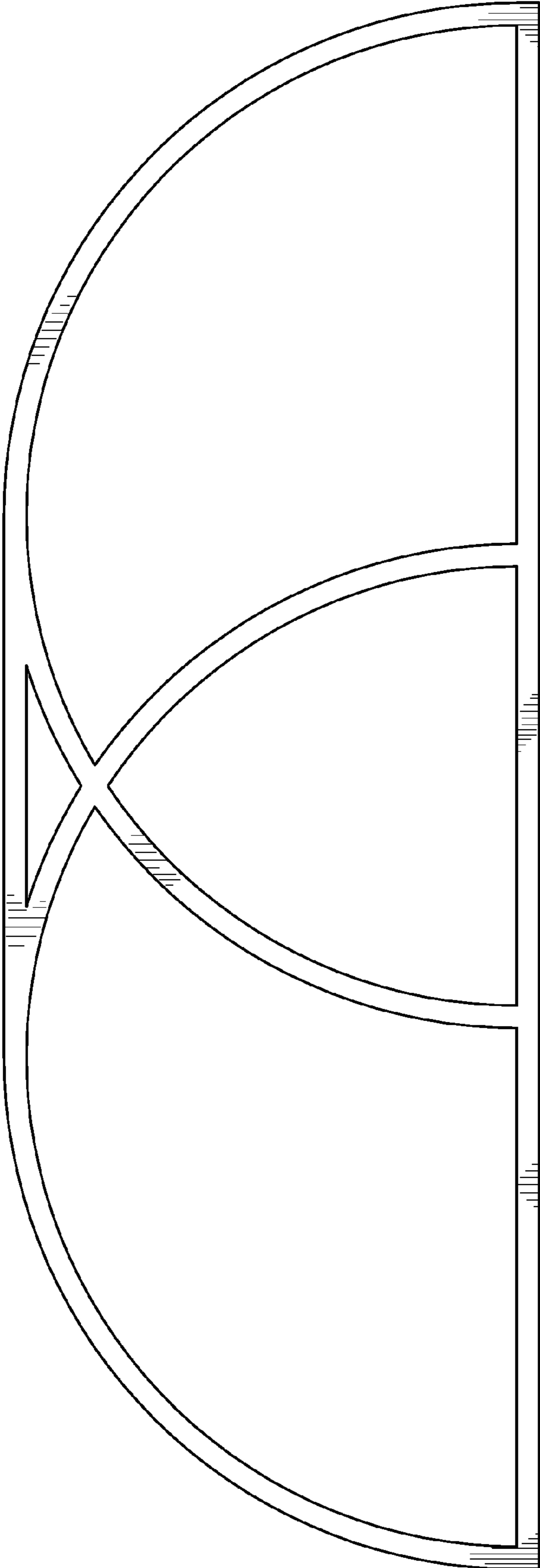


Fig. 11

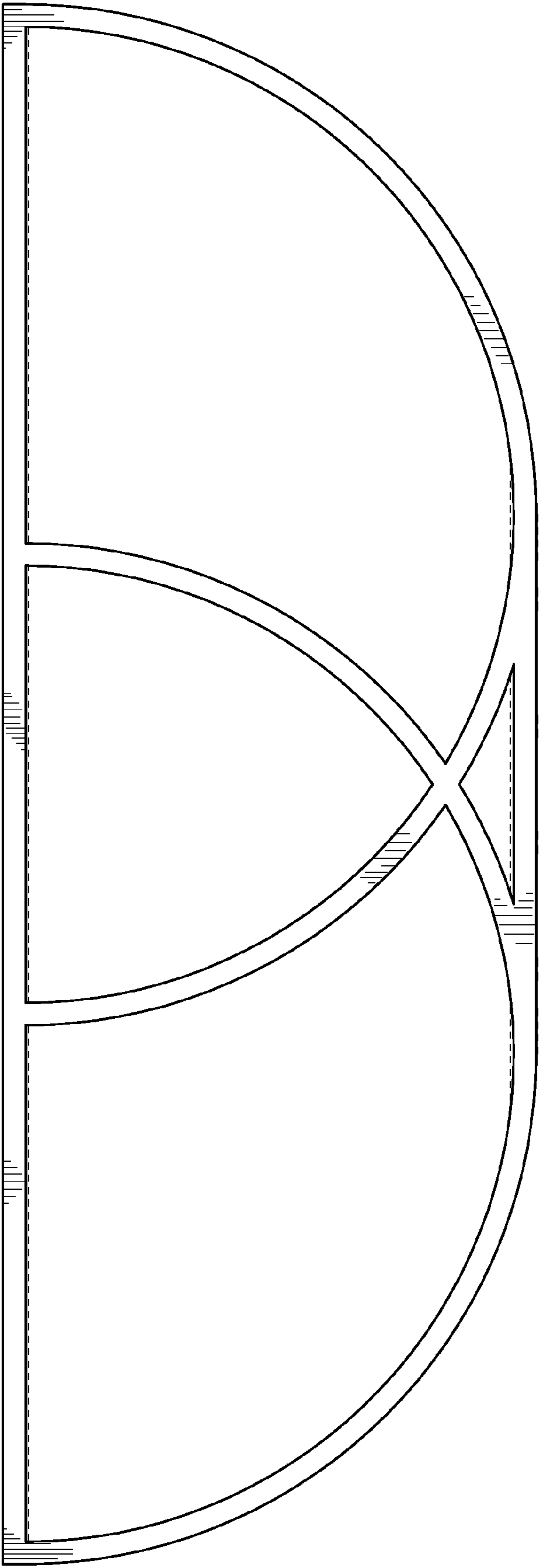


Fig. 12