



US00D613963S

(12) **United States Design Patent**
Eckenswiller

(10) **Patent No.:** **US D613,963 S**
(45) **Date of Patent:** **** Apr. 20, 2010**

(54) **FOLDABLE DISPLAY STAND**

(76) Inventor: **Edgar Grant Eckenswiller**, 168
Bayview Avenue, Port McNicoll, Ontario
(CA) L0K 1R0

(**) Term: **14 Years**

(21) Appl. No.: **29/337,014**

(22) Filed: **May 13, 2009**

(51) **LOC (9) Cl.** **06-07**

(52) **U.S. Cl.** **D6/449**

(58) **Field of Classification Search** D6/396,
D6/301, 300, 450, 473, 310, 314, 449, 476;
248/464, 459, 441.1, 48, 450, 352, 460, 451,
248/152, 174; 211/11, 45, 50, 117, 118,
211/198, 85.29; 273/239, 287; 40/734, 745;
D19/88, 36, 90; 434/88; 33/1 K; 281/33
See application file for complete search history.

(56) **References Cited**

U.S. PATENT DOCUMENTS

D93,540	S	*	10/1934	Cubicciotti	D6/450
2,485,517	A	*	10/1949	Vaule et al.	248/464
3,599,925	A	*	8/1971	Dubler	248/352
4,098,009	A	*	7/1978	Flynn	434/88
4,168,573	A	*	9/1979	Chase	33/1 K
D253,740	S	*	12/1979	Dubler	D6/301
4,544,123	A	*	10/1985	Peacock	248/460
5,104,085	A	*	4/1992	Brice	248/441.1
5,273,248	A	*	12/1993	Grander	248/460
6,837,385	B2	*	1/2005	Bennett et al.	211/118
7,178,778	B2	*	2/2007	Lee	248/459

7,287,751	B2	*	10/2007	Webber, Jr.	273/239
D557,904	S	*	12/2007	Engber	D6/300
2003/0150828	A1	*	8/2003	Bennett et al.	211/118
2004/0130139	A1	*	7/2004	Reising	281/33
2004/0149880	A1	*	8/2004	Mitchell et al.	248/441.1
2005/0184503	A1	*	8/2005	Reising	281/48
2006/0081758	A1	*	4/2006	Lee	248/459

* cited by examiner

Primary Examiner—Philip S Hyder

Assistant Examiner—Sydney R Buffalow

(74) *Attorney, Agent, or Firm*—Boyle Fredrickson, SC

(57) **CLAIM**

The ornamental design for a foldable display stand, substantially as shown and described.

DESCRIPTION

FIG. 1 is a perspective view of a foldable display stand according to the present invention;

FIG. 2 is a side elevation view of the foldable display stand shown in FIG. 1;

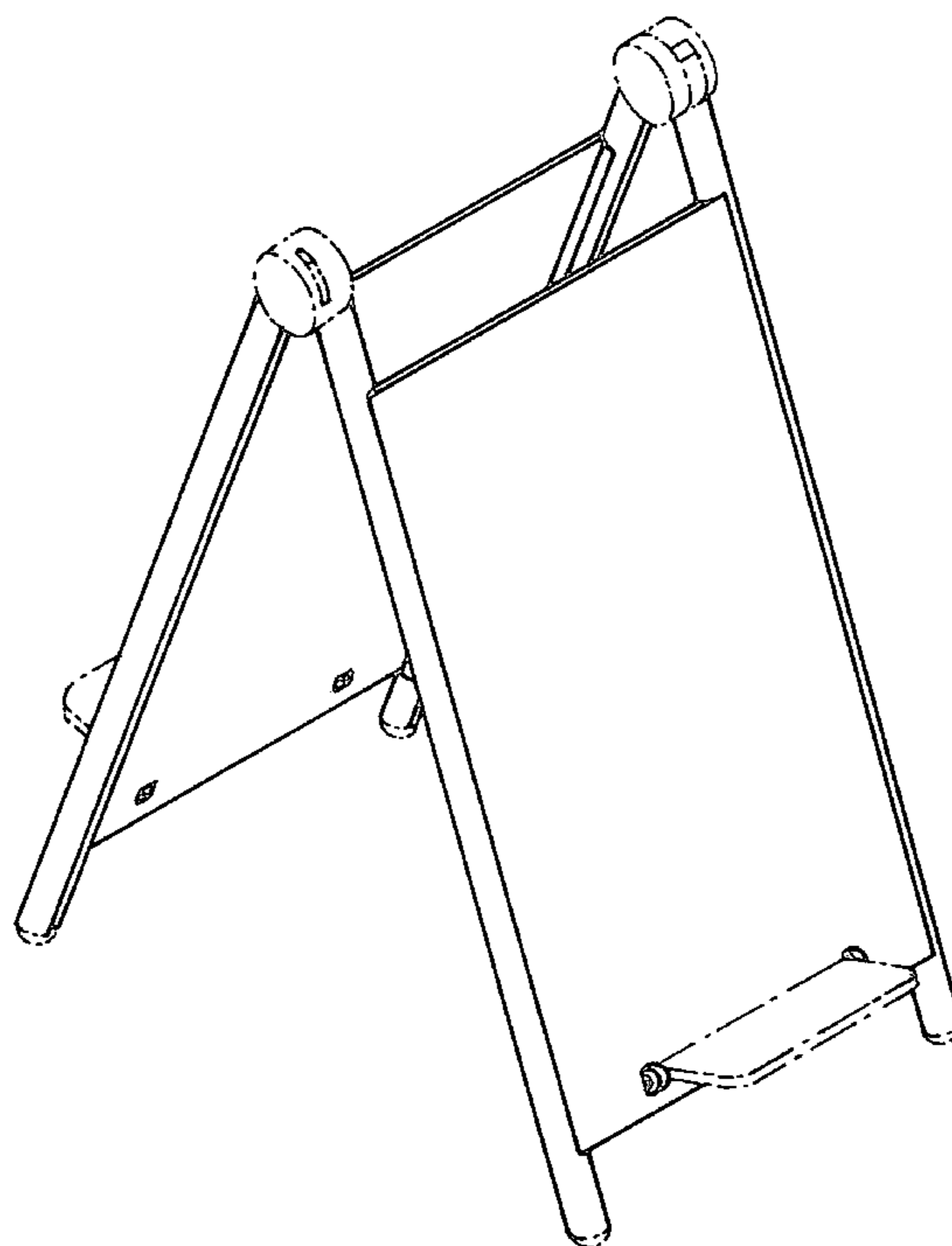
FIG. 3 is an elevation view of a side of the foldable display stand that is generally perpendicular to the side view of the foldable display stand shown in FIG. 2;

FIG. 4 is a top plan view of the foldable display stand shown in FIG. 1; and,

FIG. 5 is a bottom plan view of the foldable display stand shown in FIG. 1.

The broken lines in the drawings are for illustrative purposes only and form no part of the claimed design.

1 Claim, 5 Drawing Sheets



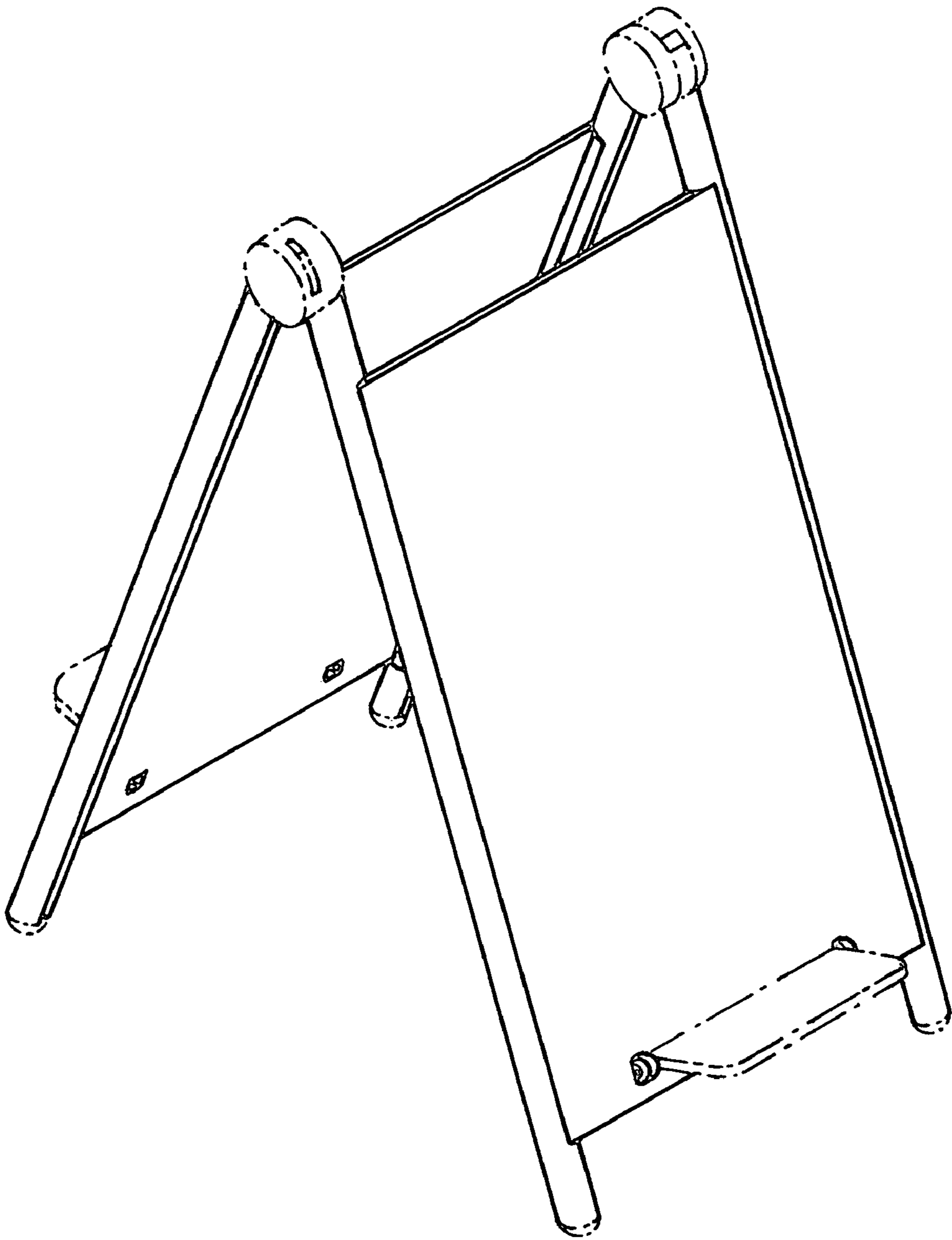


FIG. 1

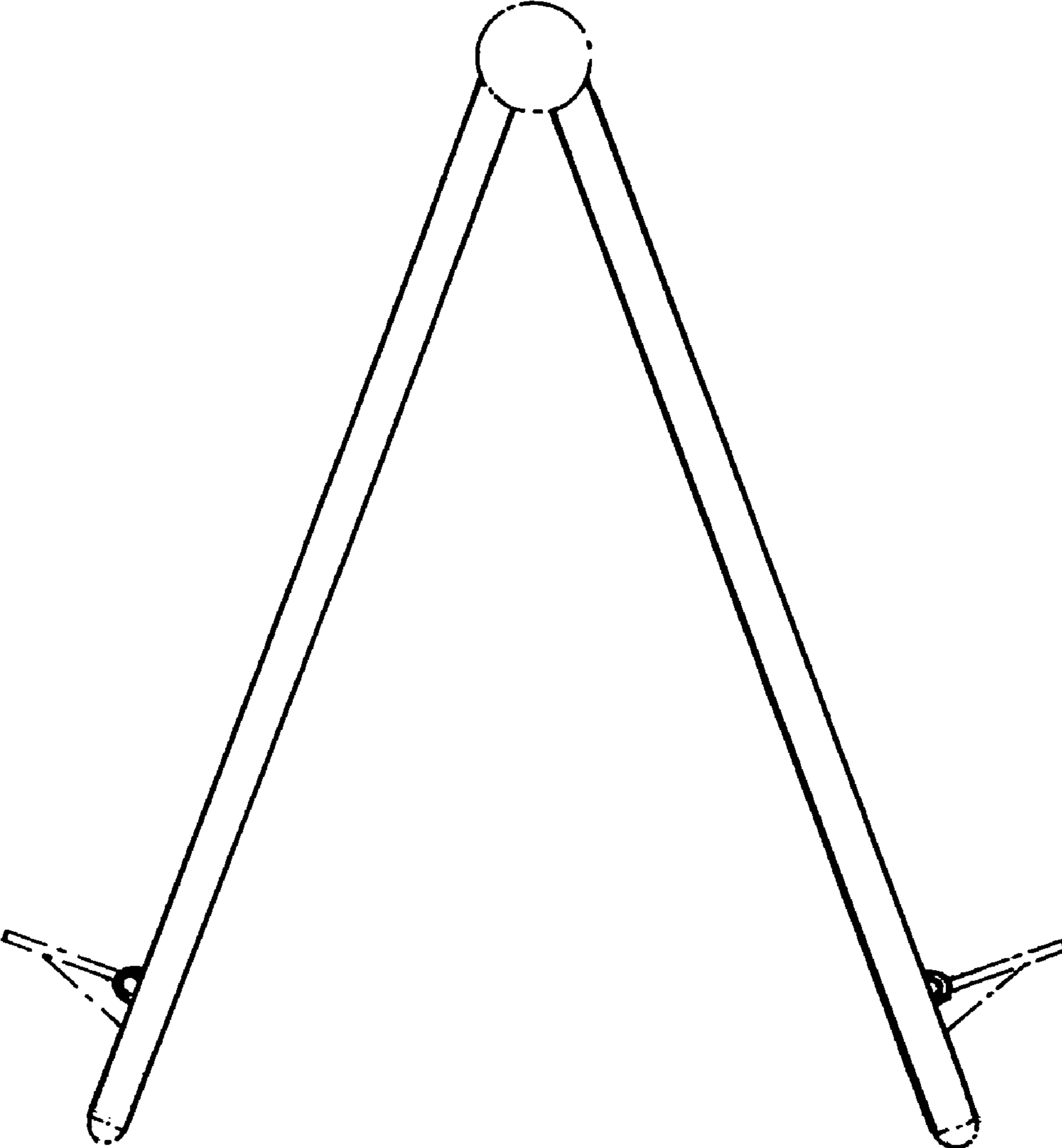


FIG. 2

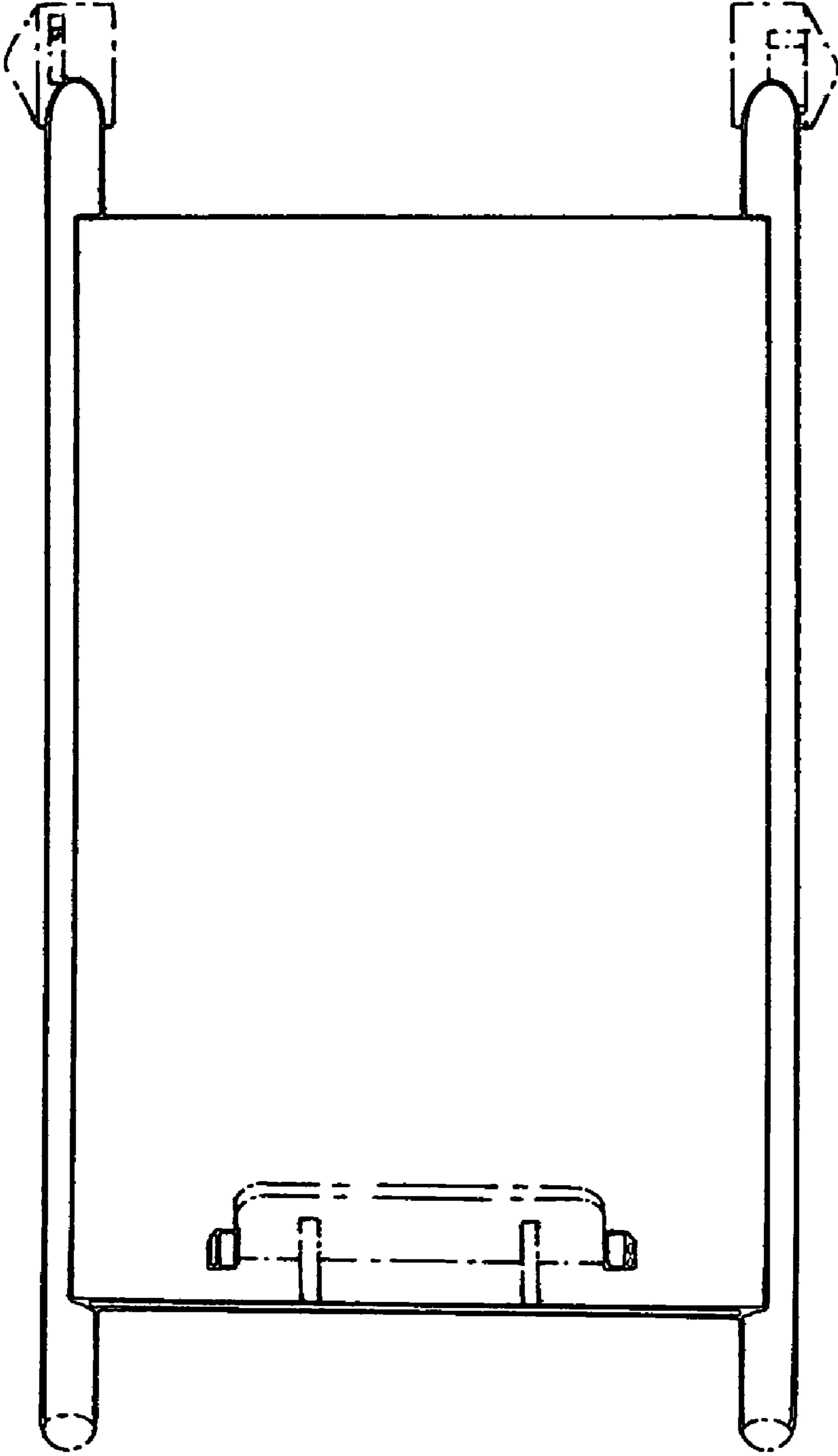


FIG. 3

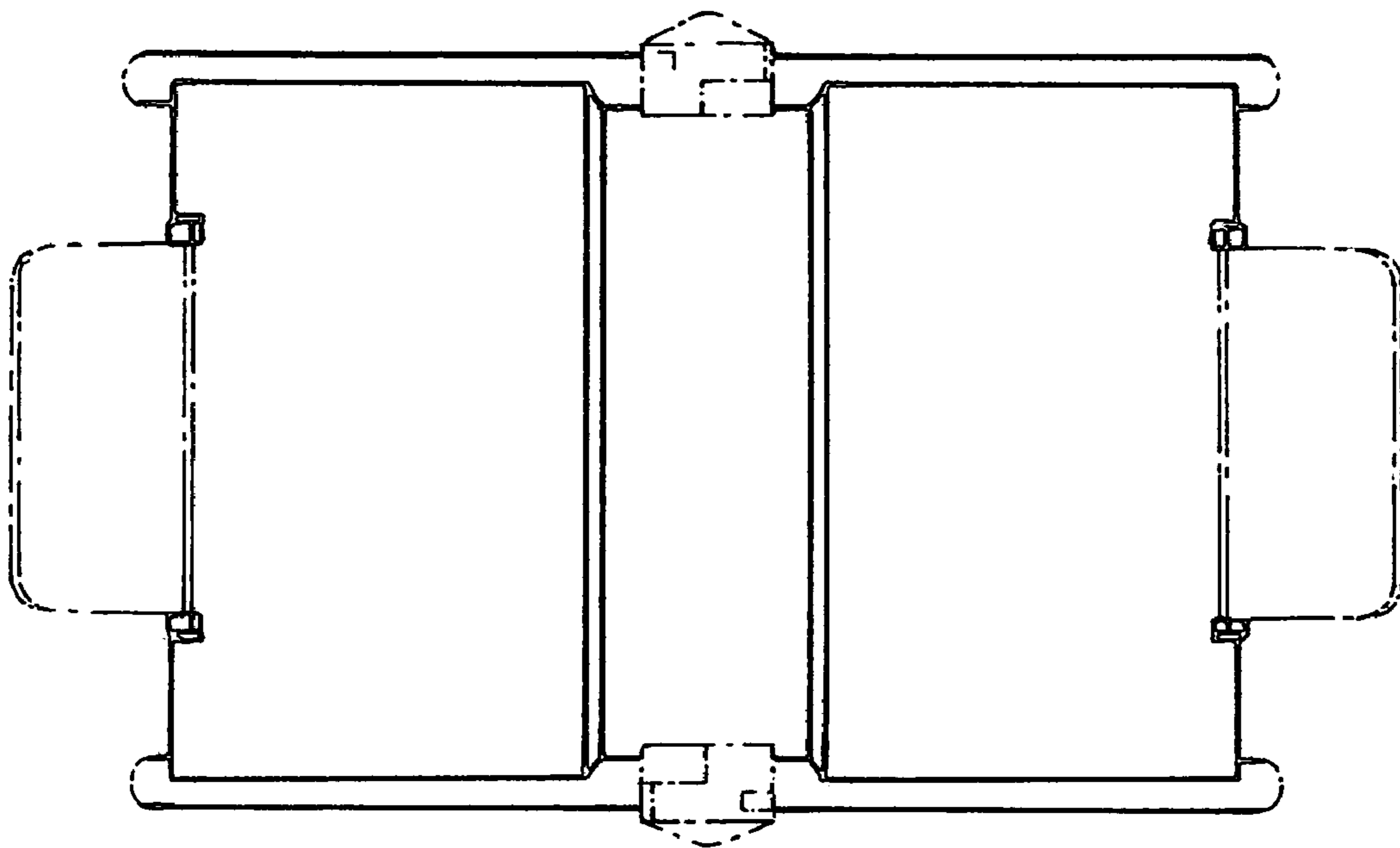


FIG. 4

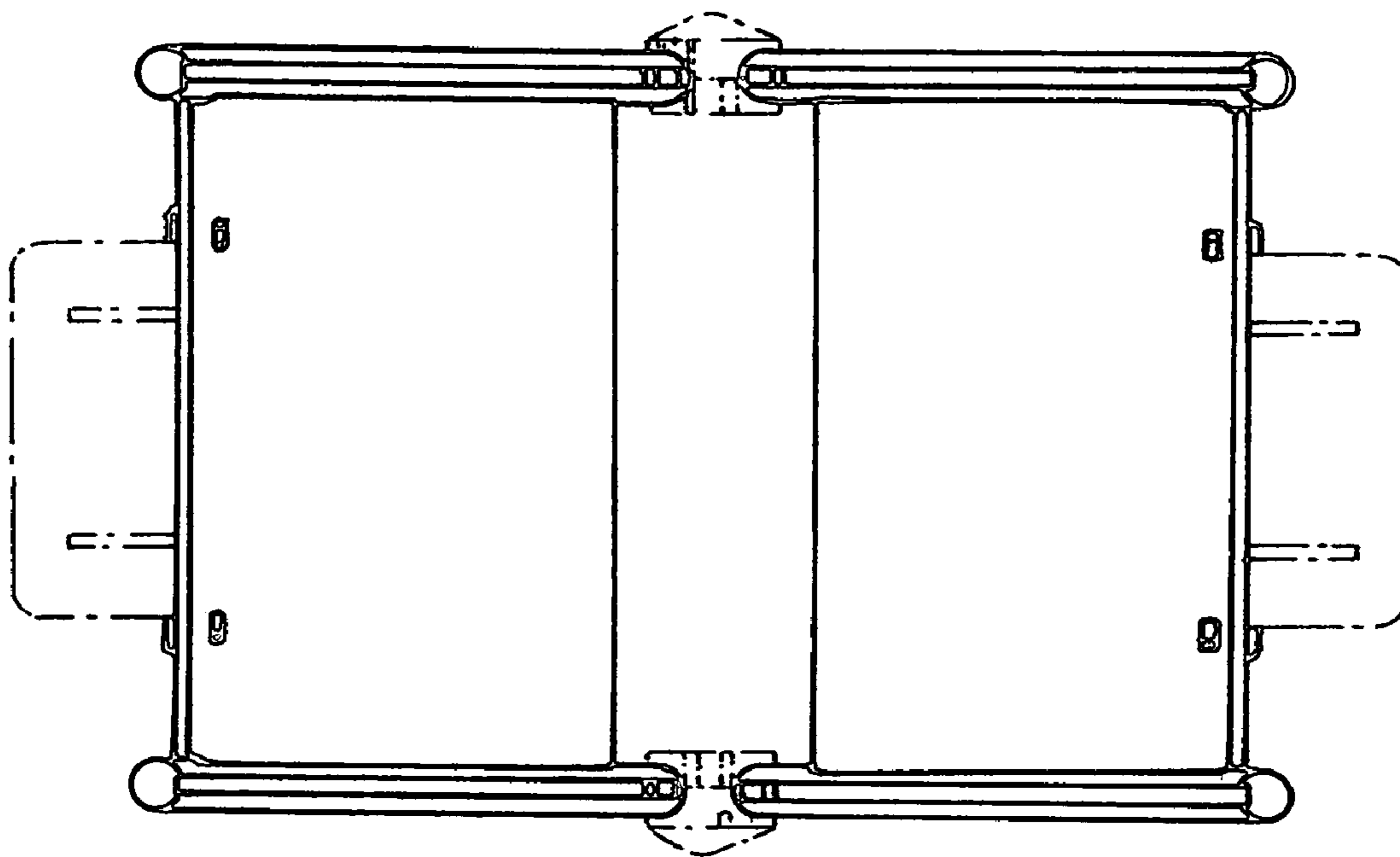


FIG. 5