



US00D613960S

(12) **United States Design Patent**
Griepentrog et al.

(10) **Patent No.:** **US D613,960 S**
(45) **Date of Patent:** **** Apr. 20, 2010**

(54) **ARTICLE OF SEATING FURNITURE**

(75) Inventors: **Dennis G. Griepentrog**, DePere, WI
(US); **Shawn Barrett**, Libertyville, IL
(US)

(73) Assignee: **Krueger International, Inc.**, Green Bay,
WI (US)

(**) Term: **14 Years**

(21) Appl. No.: **29/352,884**

(22) Filed: **Dec. 29, 2009**

Related U.S. Application Data

(62) Division of application No. 29/280,881, filed on Jun. 8,
2007, now Pat. No. Des. 609,026.

(51) **LOC (9) Cl.** **06-01**

(52) **U.S. Cl.** **D6/381**

(58) **Field of Classification Search** D6/334,
D6/369, 374, 491, 492, 495, 500-502; 297/63,
297/94, 232, 233, 248, 283.1, 283.2, 535,
297/354.1, 445.1, 446.1, 448.1; 5/12.1, 12.2
See application file for complete search history.

(56) **References Cited**

U.S. PATENT DOCUMENTS

- 2,217,426 A * 10/1940 Zareko 297/117
- 3,695,690 A * 10/1972 Carson 297/218.3
- 3,857,120 A * 12/1974 Acker 5/12.1
- 3,984,140 A * 10/1976 Robertson 296/156
- 4,110,855 A * 9/1978 Acker 5/45
- 4,292,698 A * 10/1981 Acker 5/45
- 5,423,596 A * 6/1995 Laughlin et al. 297/440.1
- D515,334 S * 2/2006 Natuzzi D6/381
- D552,862 S * 10/2007 Natuzzi D6/381
- D552,864 S * 10/2007 Natuzzi D6/381
- D552,867 S * 10/2007 Natuzzi D6/381

- D572,916 S * 7/2008 Galardo et al. D6/334
- D583,585 S * 12/2008 Weiss D6/381
- D584,524 S * 1/2009 Ricci D6/381
- D603,617 S * 11/2009 Weiss D6/381
- D607,227 S * 1/2010 Massaud D6/381
- 2002/0000741 A1 * 1/2002 Clay 297/118

* cited by examiner

Primary Examiner—Sandra Snapp

(74) *Attorney, Agent, or Firm*—Andrus, Scales, Starke &
Sawall, LLP

(57) **CLAIM**

The ornamental design for an article of seating furniture, as
shown and described.

DESCRIPTION

FIG. 1 is an isometric view of an article of seating furniture
incorporating my new design;

FIG. 2 is a front elevation view thereof;

FIG. 3 is a top plan view thereof;

FIG. 4 is a right side elevation view thereof, wherein the left
side elevation view is a mirror image;

FIG. 5 is a rear elevation view thereof;

FIG. 6 is an isometric view showing an article of seating
furniture as in FIG. 1 converted to a bed configuration;

FIG. 7 is a front elevation view thereof;

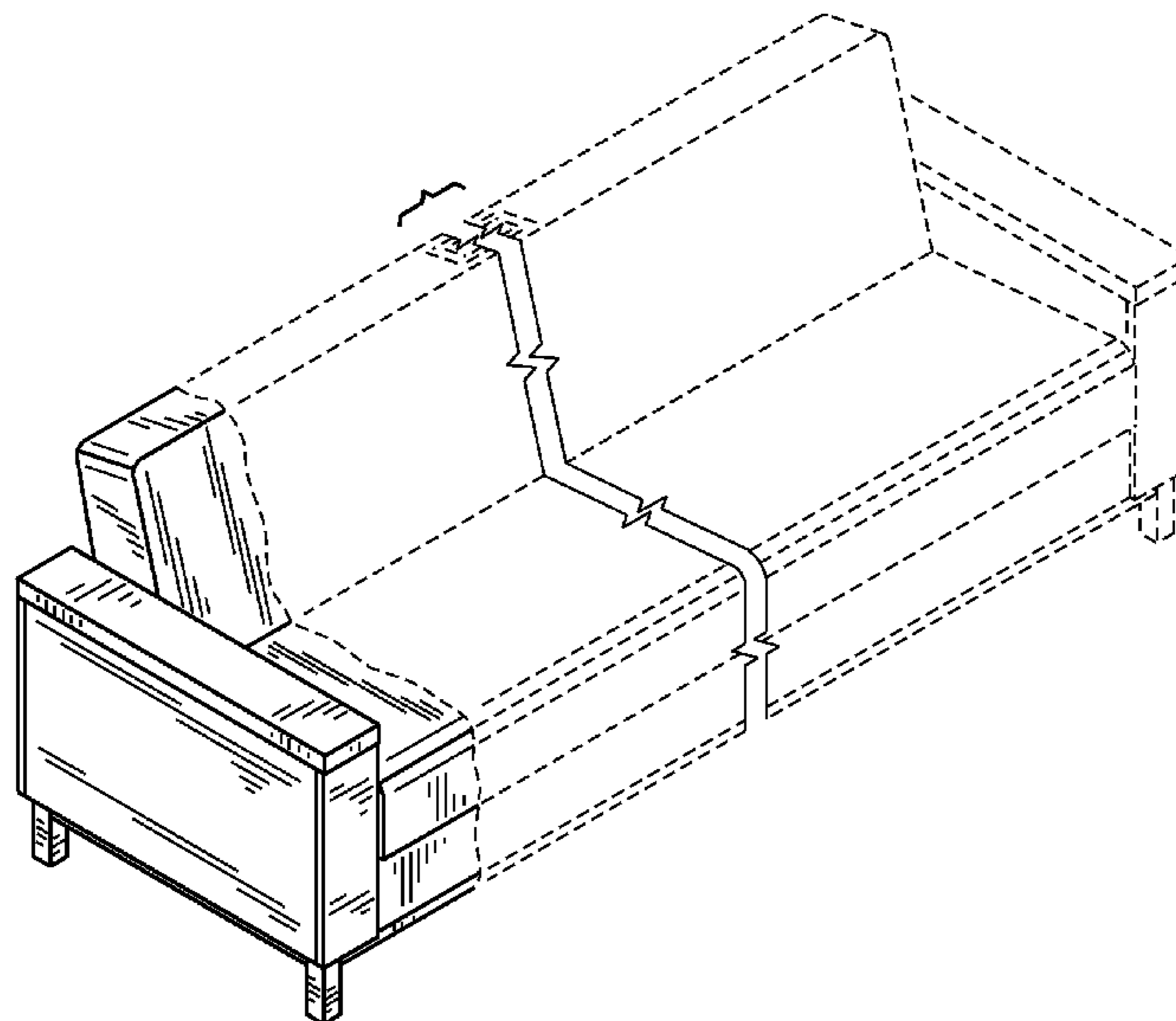
FIG. 8 is a top plan view thereof;

FIG. 9 is a right side elevation view thereof, wherein the left
side elevation view is a mirror image; and,

FIG. 10 is a rear elevation view thereof.

The portions shown in phantom illustrate environment and
form no part of the claimed design, and it is understood that
the broken-away portions represents indeterminate length.

1 Claim, 4 Drawing Sheets



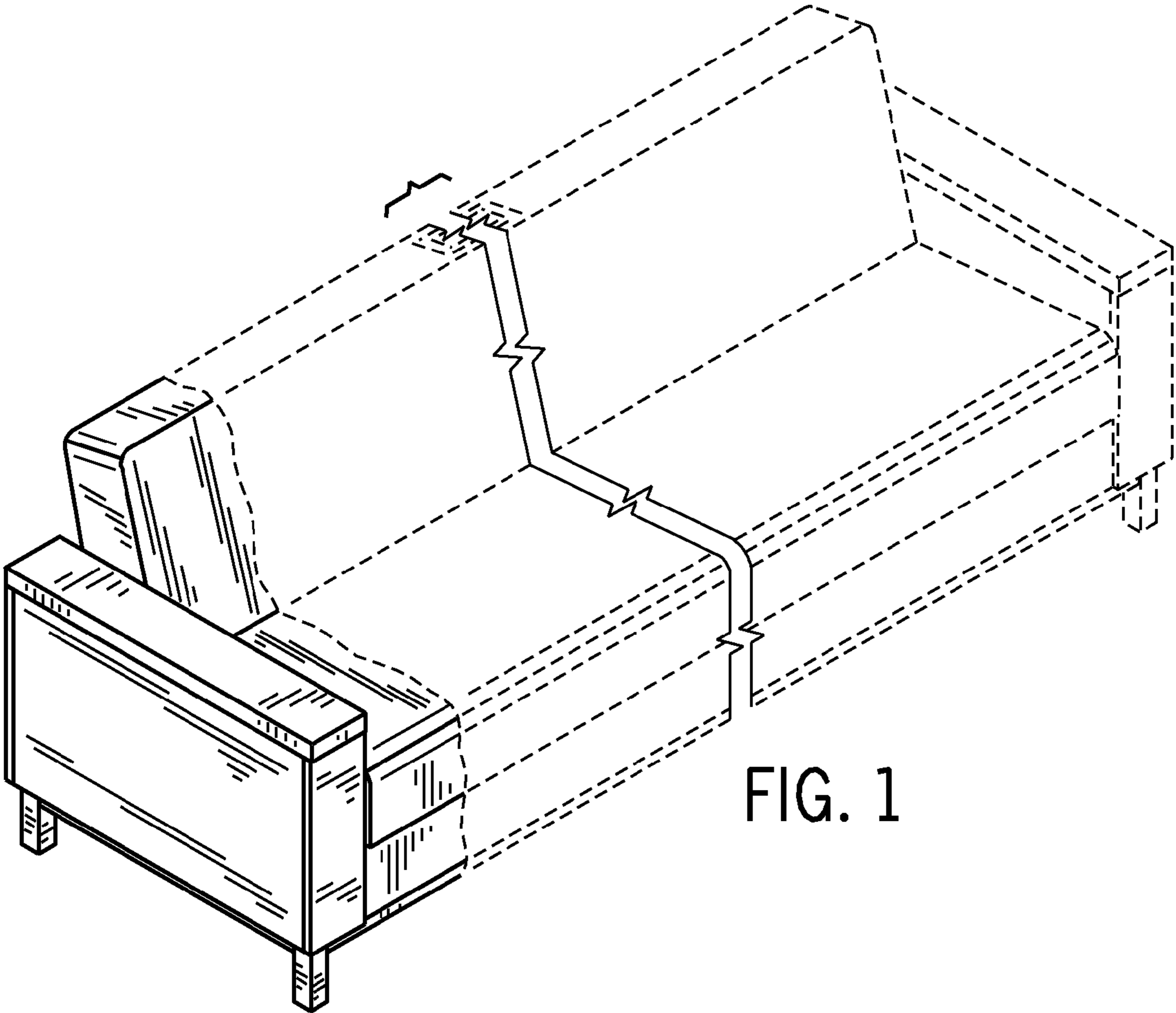


FIG. 1

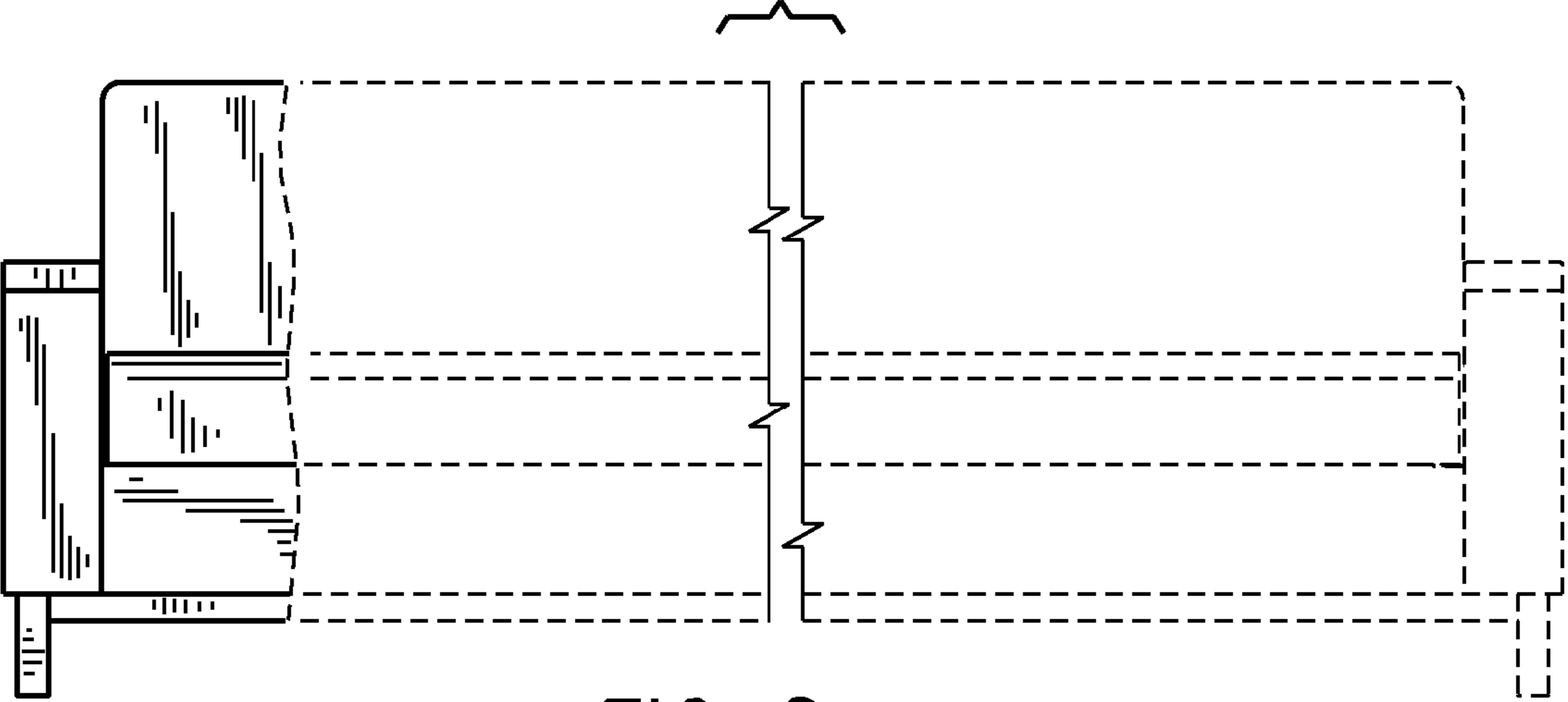


FIG. 2

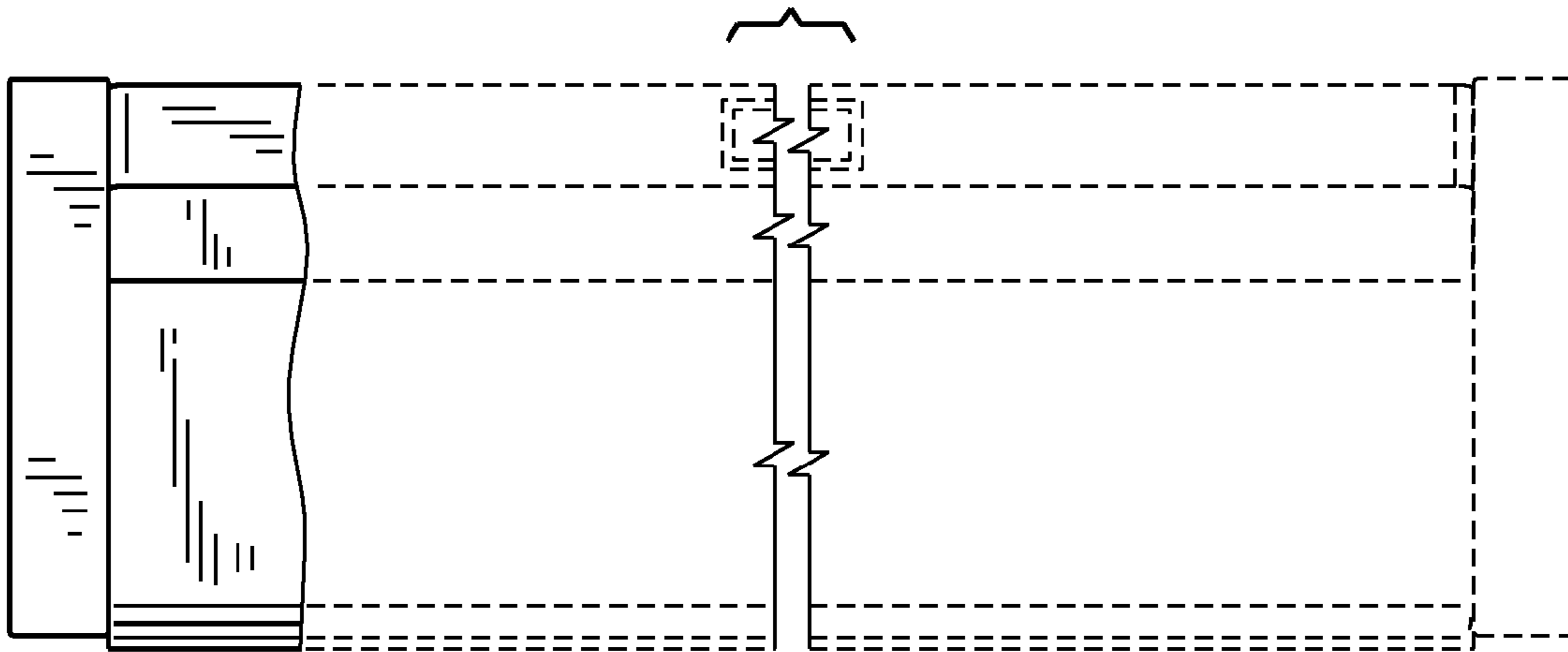


FIG. 3

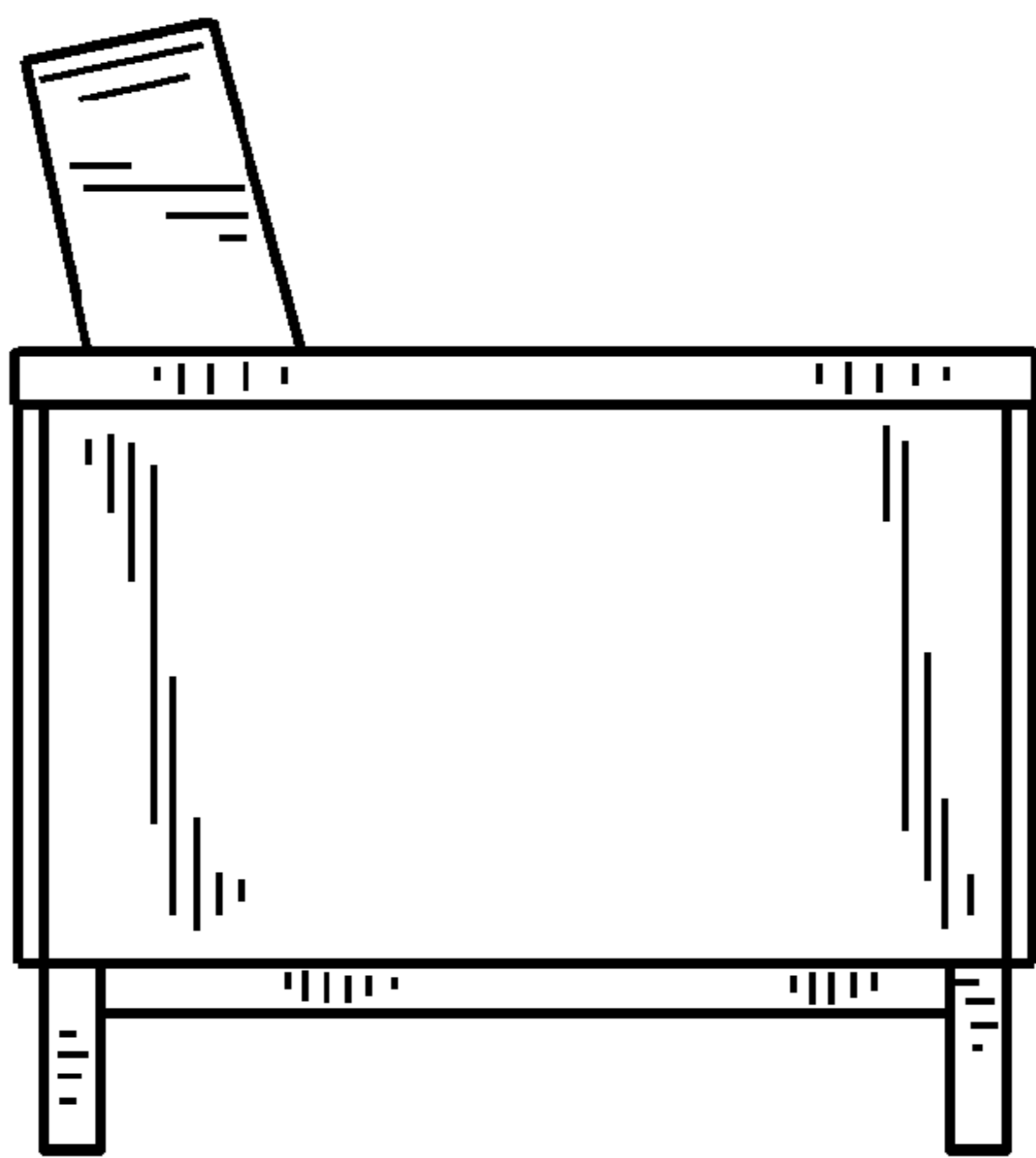


FIG. 4

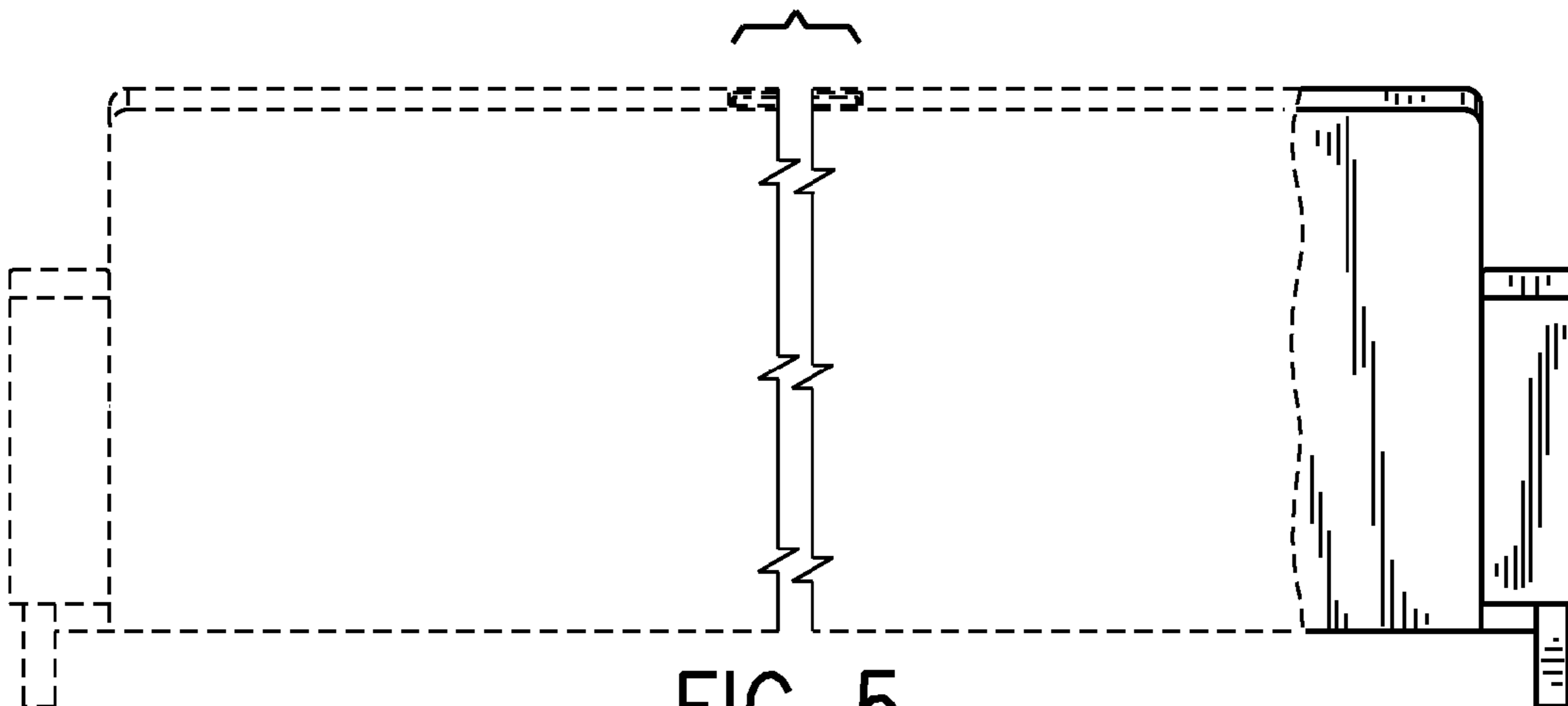


FIG. 5

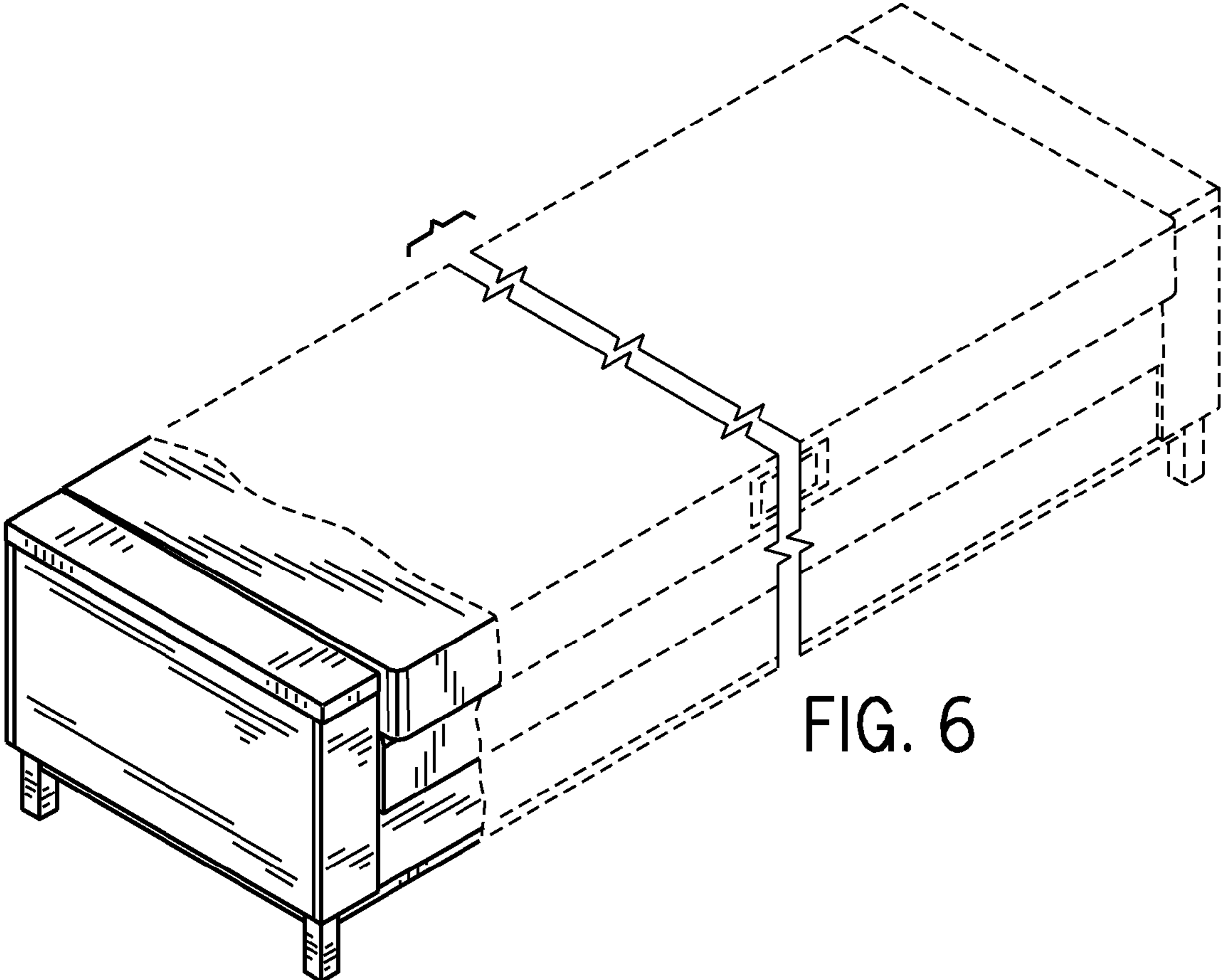


FIG. 6

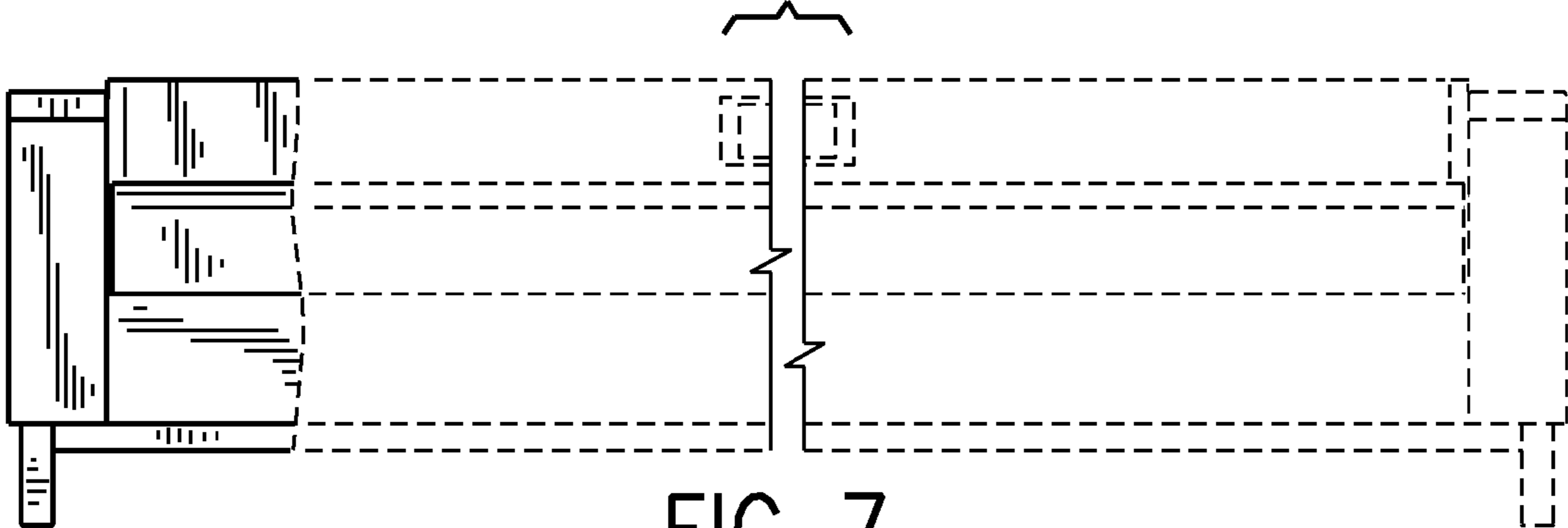


FIG. 7

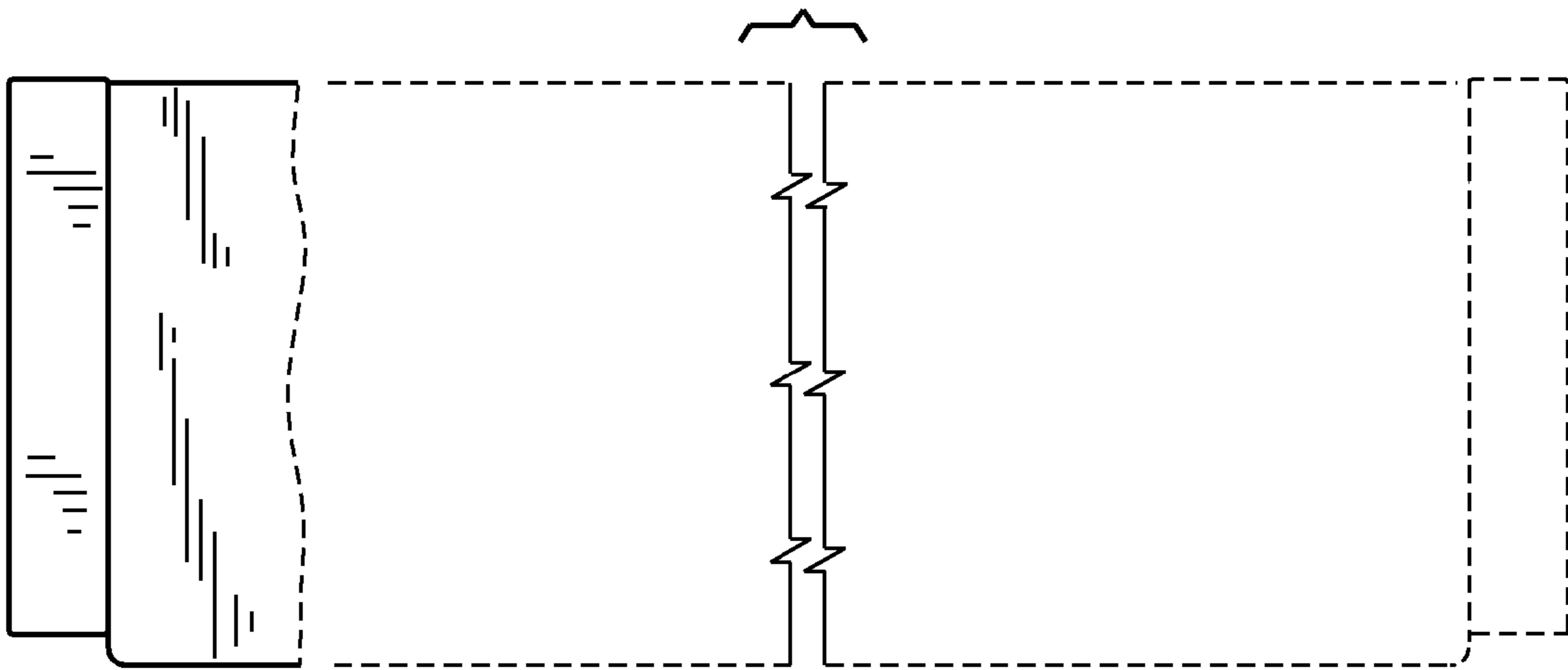


FIG. 8

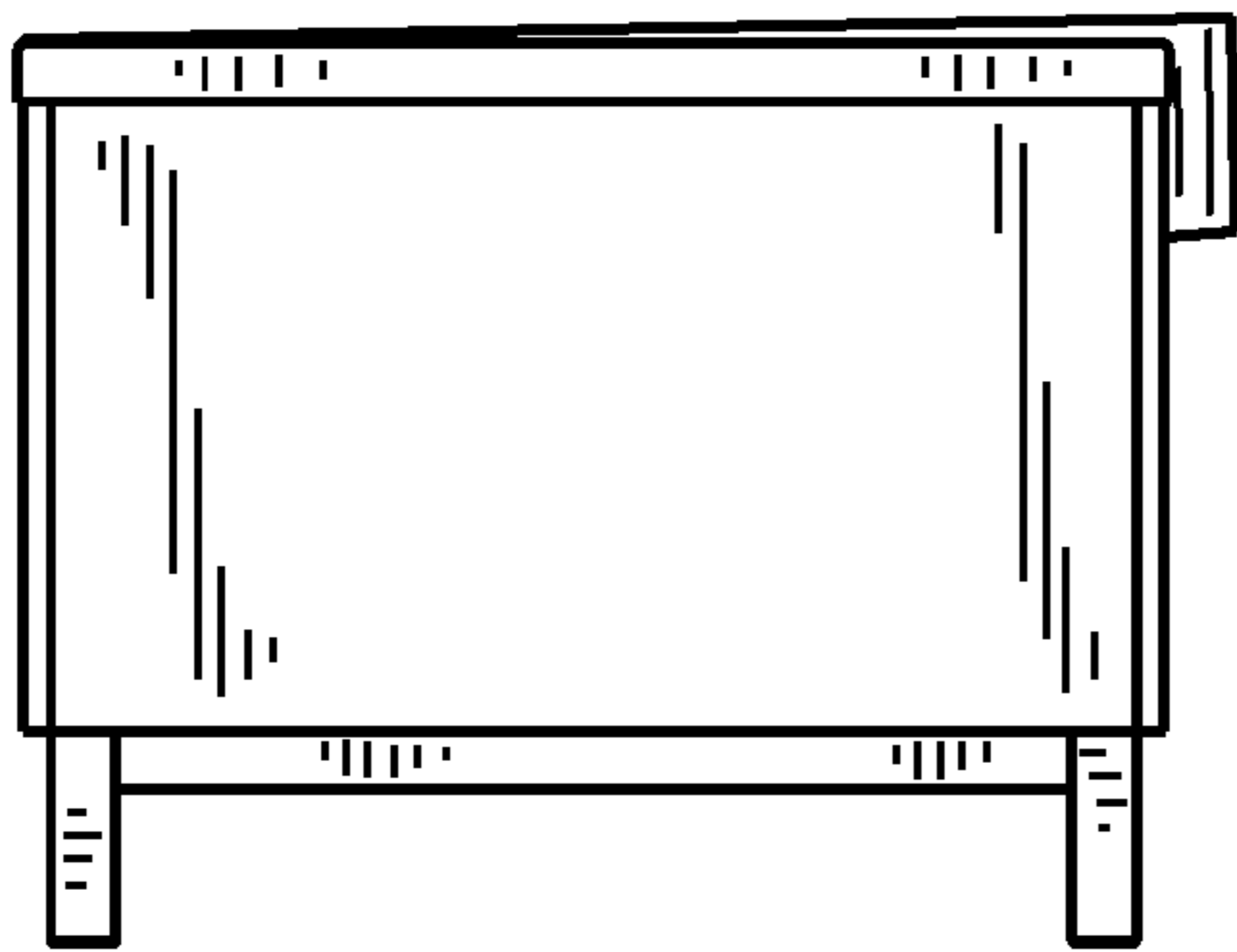


FIG. 9

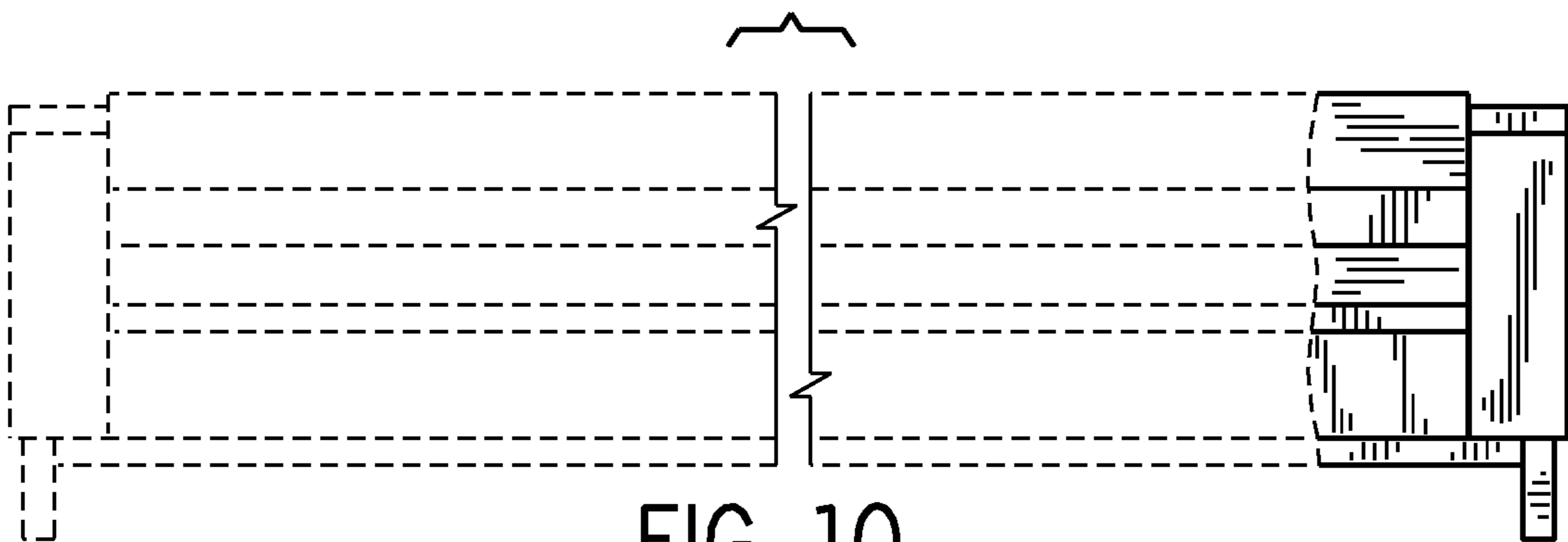


FIG. 10