



US00D613958S

(12) **United States Design Patent**
Holbrook

(10) **Patent No.:** **US D613,958 S**
(45) **Date of Patent:** **** Apr. 20, 2010**

(54) **FRAME FOR MODULAR SEATING**

D336,172 S * 6/1993 Gibson D6/378
D605,868 S * 12/2009 Holbrook D6/378

(75) Inventor: **Richard Holbrook**, Pasadena, CA (US)

* cited by examiner

(73) Assignee: **Tropitone Furniture Co., Inc.**, Irvine, CA (US)

Primary Examiner—Mimosa De
(74) *Attorney, Agent, or Firm*—Knobbe, Martens, Olson & Bear LLP

(**) Term: **14 Years**

(57) **CLAIM**

(21) Appl. No.: **29/343,238**

The ornamental design for a frame for modular seating, as shown and described.

(22) Filed: **Sep. 9, 2009**

DESCRIPTION

Related U.S. Application Data

(62) Division of application No. 29/304,443, filed on Feb. 29, 2008, now Pat. No. Des. 605,868.

FIG. 1 is a perspective view of the frame for modular seating embodying the new design;

(51) **LOC (9) Cl.** **06-01**

(52) **U.S. Cl.** **D6/378**

(58) **Field of Classification Search** D6/334–336,
D6/349, 364, 371–373, 374, 375, 377, 378,
D6/381, 500–502; 297/232, 233, 451.8

FIG. 2 is a rear elevational view of the frame for modular seating of FIG. 1;

FIG. 3 is a front elevational view of the frame for modular seating of FIG. 1;

FIG. 4 is a left side elevational view of the frame for modular seating of FIG. 1;

FIG. 5 is a right side elevational view of the frame for modular seating of FIG. 1;

See application file for complete search history.

FIG. 6 is a top plan view of the frame for modular seating of FIG. 1;

(56) **References Cited**

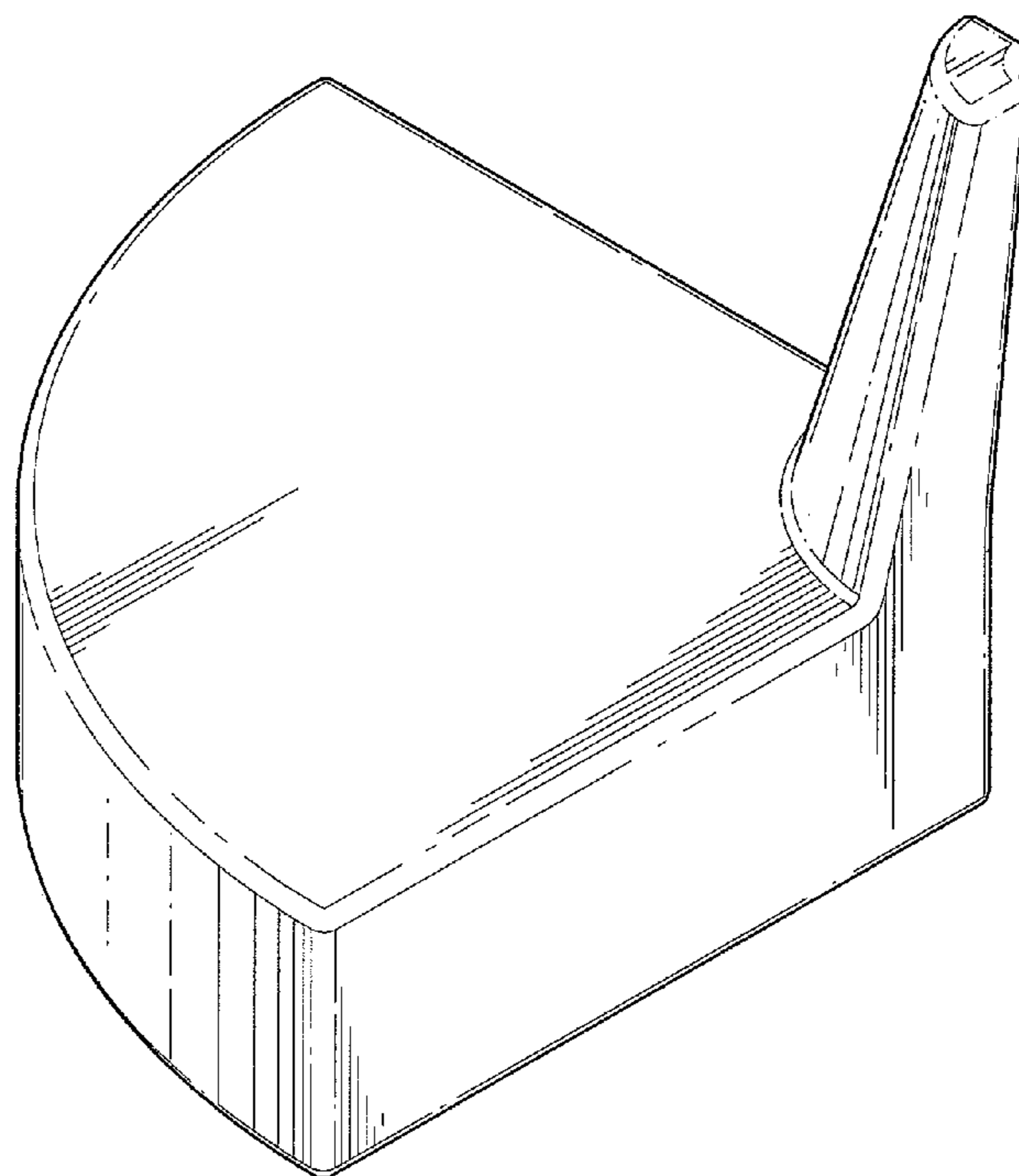
U.S. PATENT DOCUMENTS

D180,141 S * 4/1957 Futorian D6/377
D247,009 S * 1/1978 Schoblom et al. D6/378
D267,756 S * 2/1983 Krabeepetcharat D6/364
D311,283 S * 10/1990 Warren D6/378

FIG. 7 is a bottom plan view of the frame for modular seating of FIG. 1; and,

FIG. 8 is a perspective view of the frame for modular seating of FIG. 1.

1 Claim, 6 Drawing Sheets



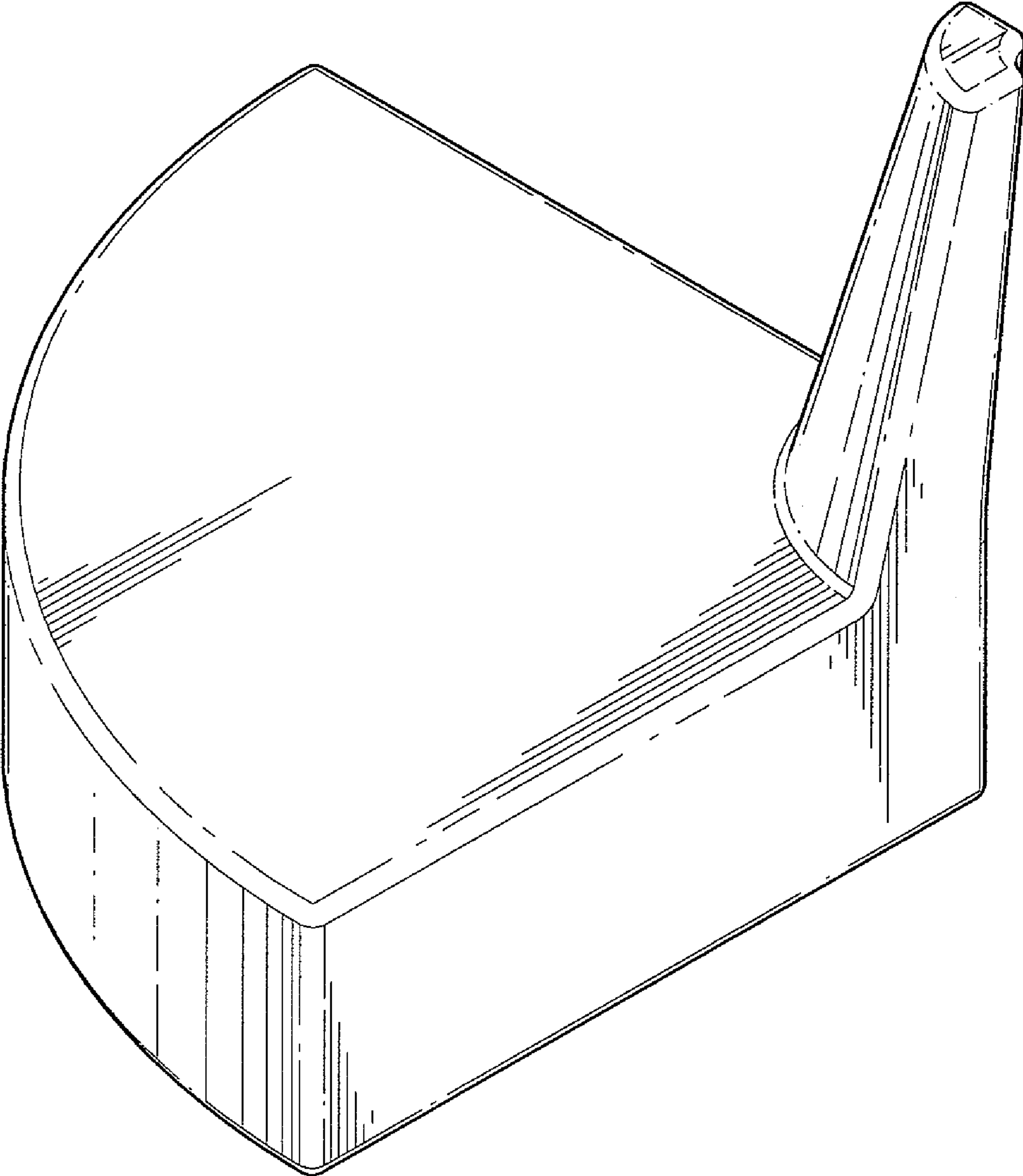


FIG. 1

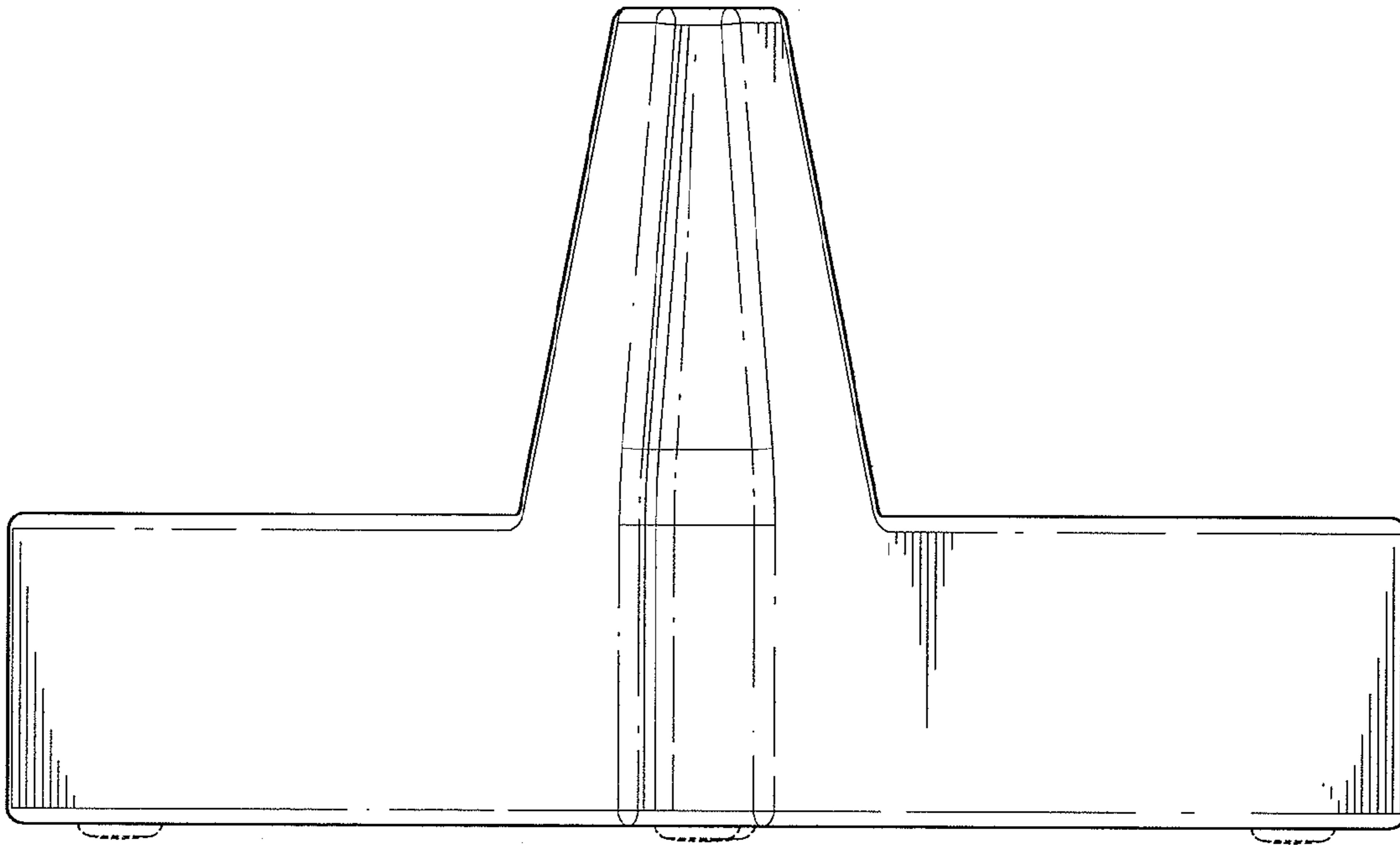


FIG. 2

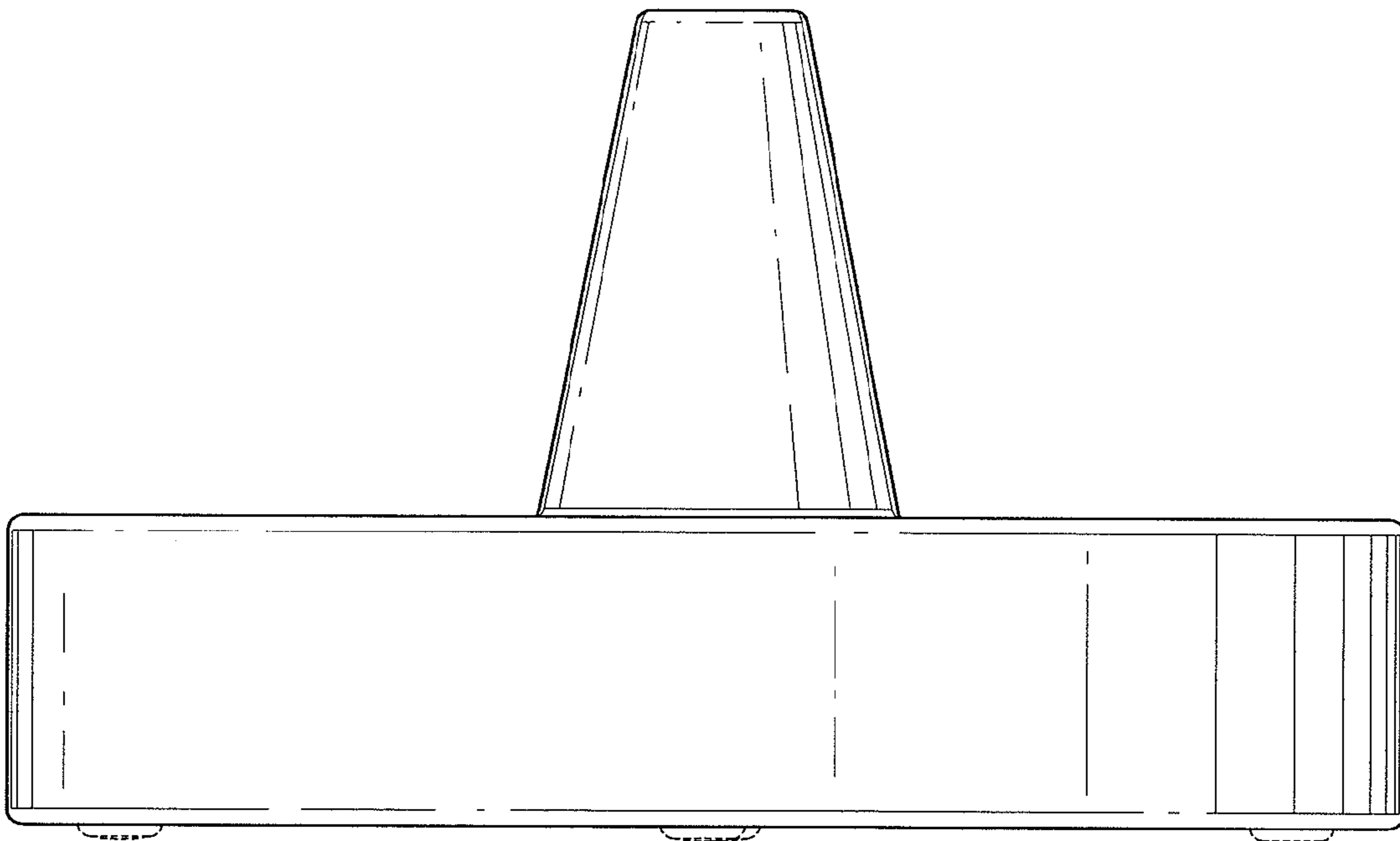


FIG. 3

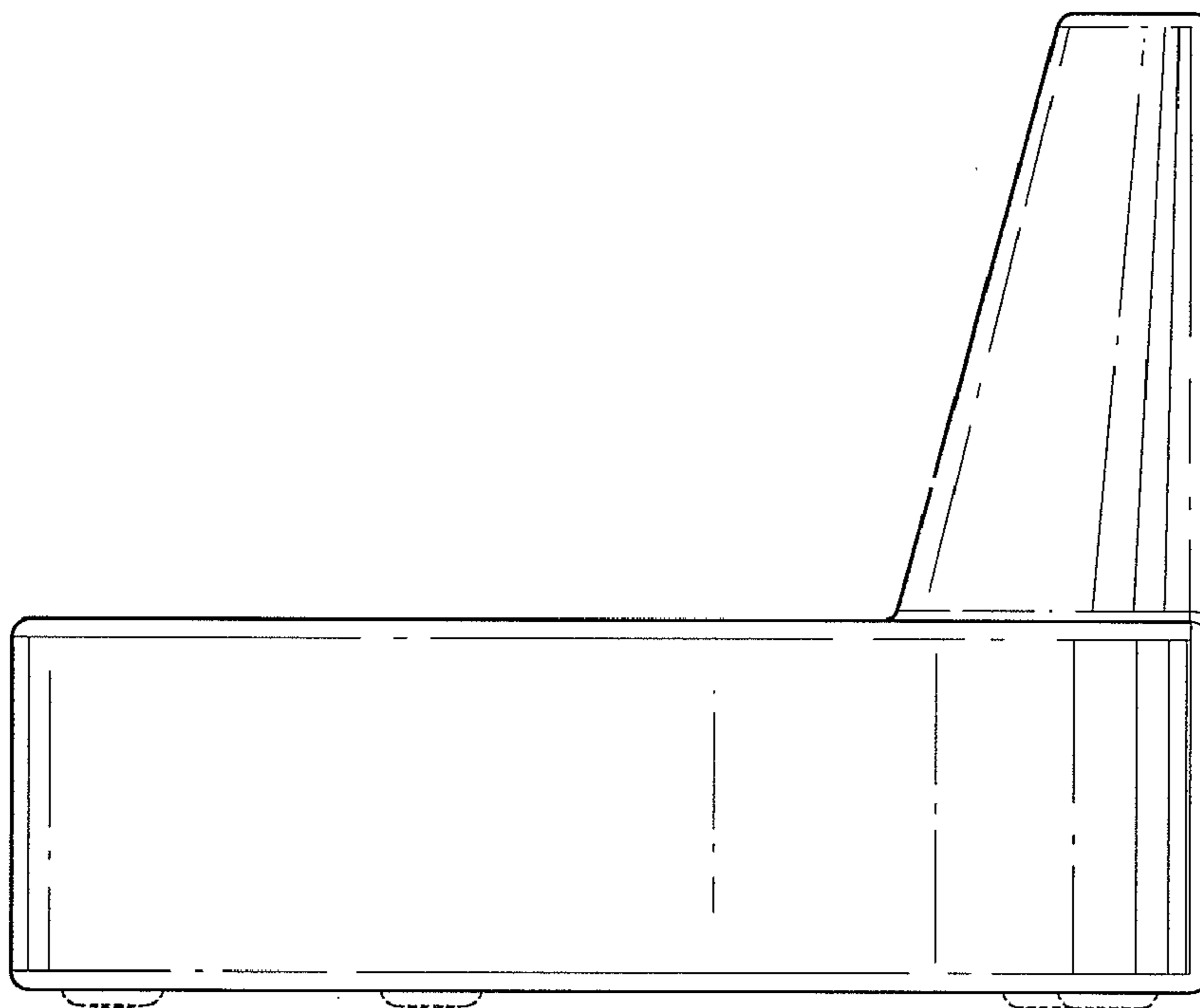


FIG. 4

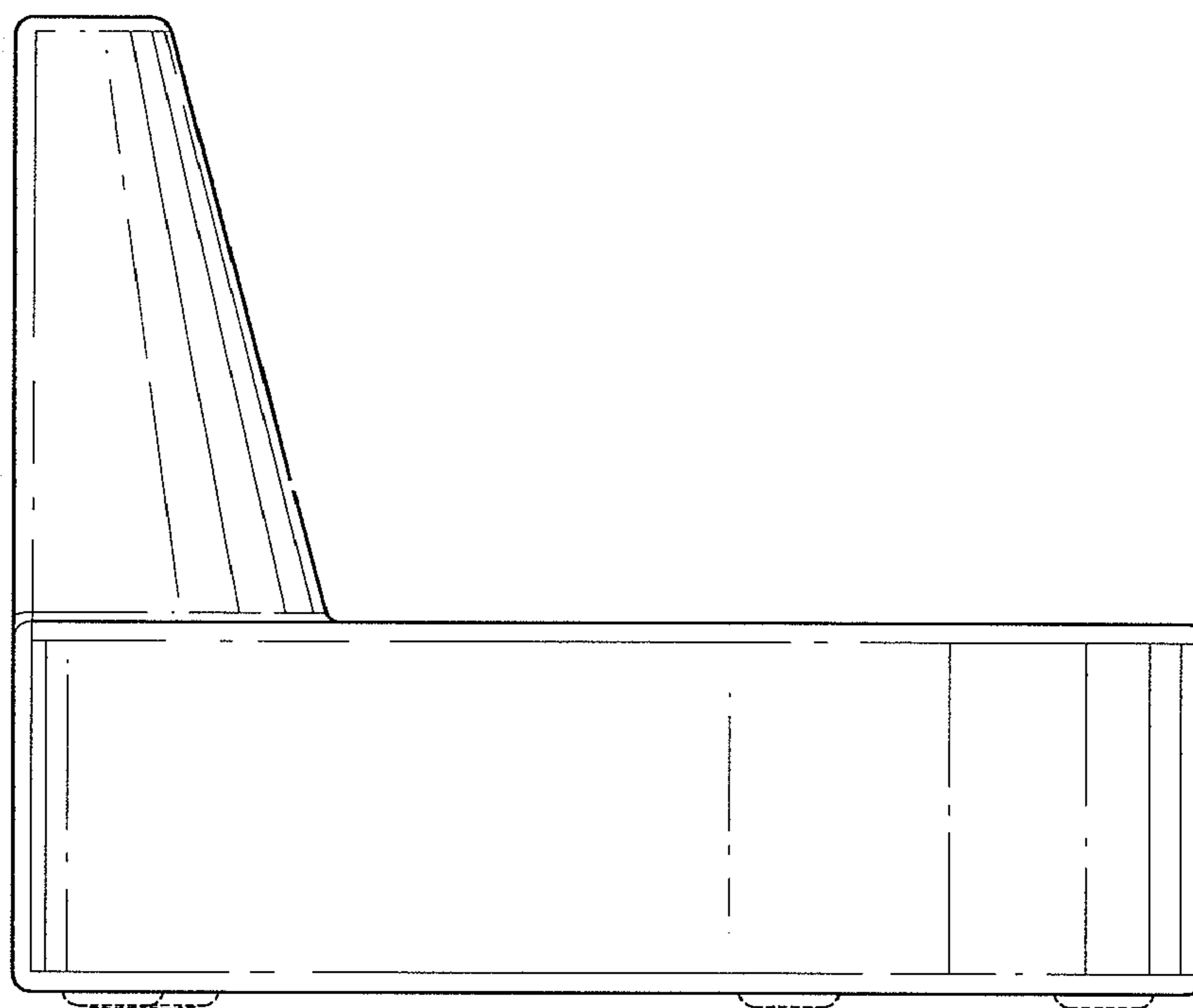


FIG. 5

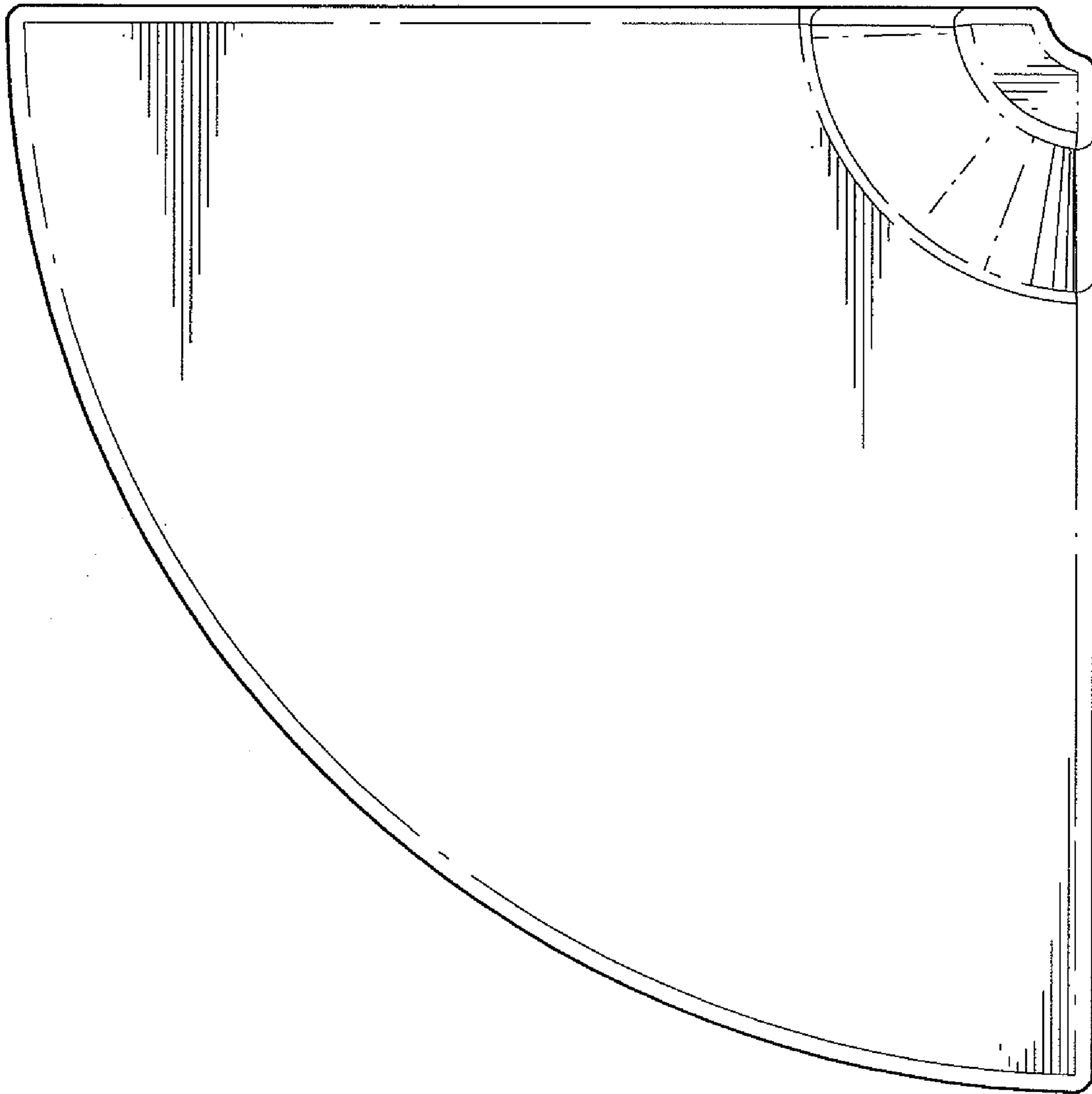


FIG. 6

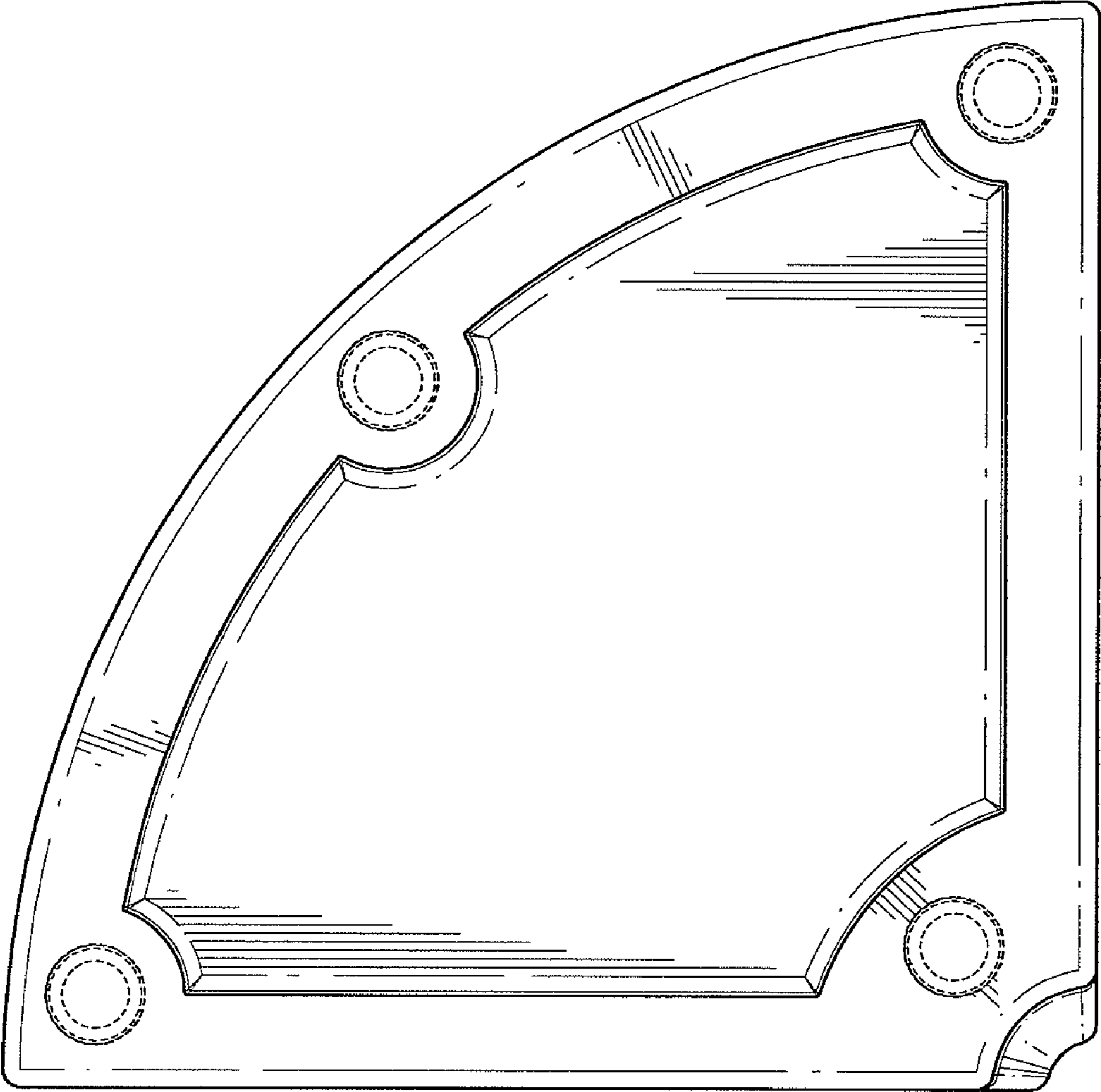


FIG. 7

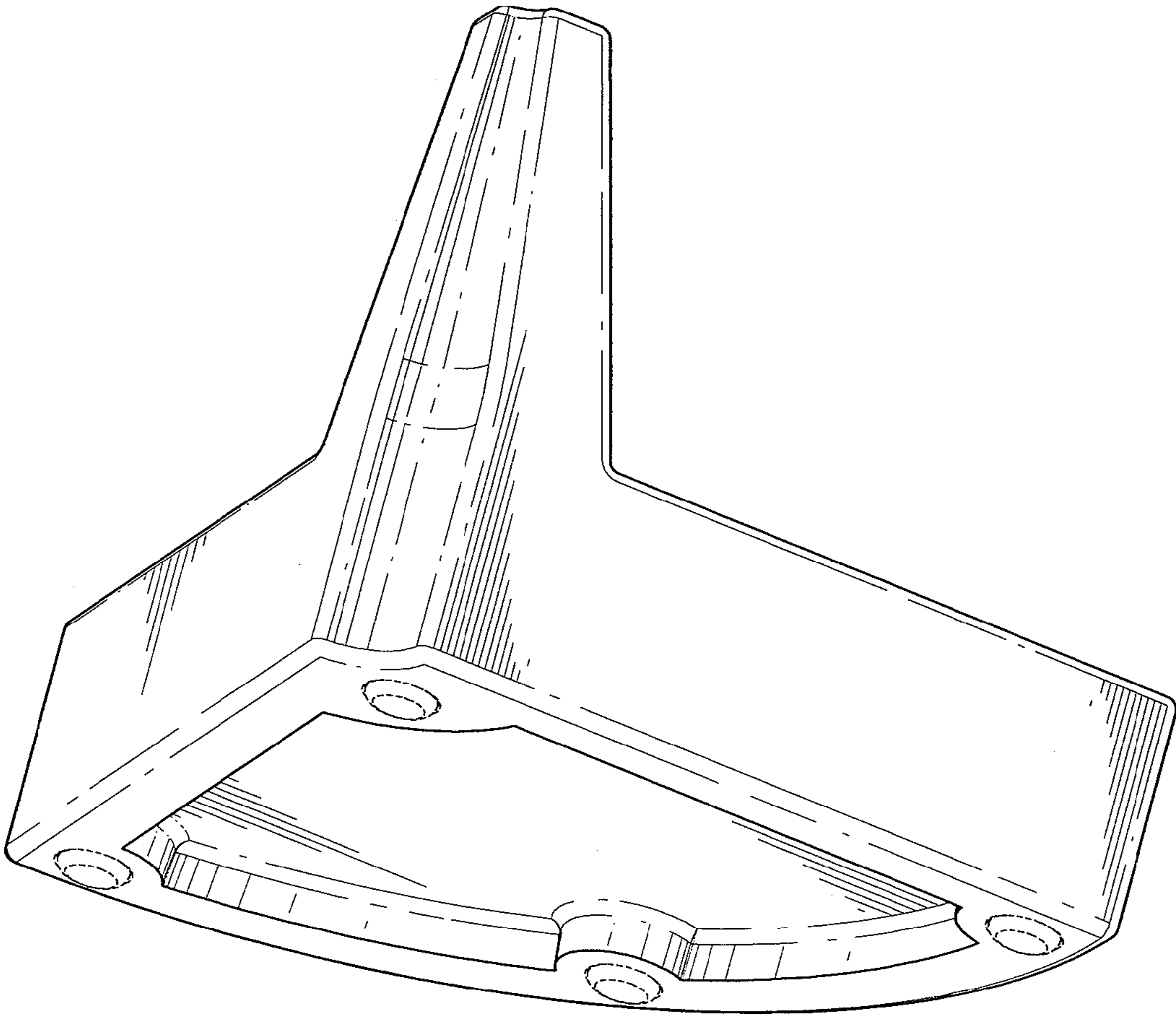


FIG. 8