



US00D613952S

(12) **United States Design Patent**  
**Yang et al.**

(10) **Patent No.:** **US D613,952 S**  
(45) **Date of Patent:** **\*\* Apr. 20, 2010**

(54) **DIGITAL PHOTO FRAME**

(75) Inventors: **Jun Yang**, Shenzhen (CN); **Chiang-Kuo Tang**, Taipei Hsien (TW)

(73) Assignee: **Hon Hai Precision Industry Co., Ltd.**, Tu-Cheng, Taipei Hsien (TW)

(\*\*) Term: **14 Years**

(21) Appl. No.: **29/344,132**

(22) Filed: **Sep. 24, 2009**

(30) **Foreign Application Priority Data**

Aug. 26, 2009 (CN) ..... 2009 3 0313262

(51) **LOC (9) Cl.** ..... **06-07**

(52) **U.S. Cl.** ..... **D6/309; D14/371; D6/311; D6/308**

(58) **Field of Classification Search** ..... D6/300-314; 40/700, 768, 717, 714, 721, 735; D14/371, D14/372, 448, 449, 450, 374, 381, 382, 336, D14/337, 250, 146, 341, 496, 331, 126, 130; D20/10; D10/24, 75, 2, 15, 40

See application file for complete search history.

(56) **References Cited**

**U.S. PATENT DOCUMENTS**

D466,418 S \* 12/2002 Kwok ..... D10/15

D476,240 S \* 6/2003 Kuramochi et al. .... D10/40  
D483,275 S \* 12/2003 Chen ..... D10/15  
D564,913 S \* 3/2008 Smith-Kielland et al. .... D10/40  
D572,023 S \* 7/2008 Park ..... D6/300  
D582,165 S \* 12/2008 Li et al. .... D6/309  
2007/0266606 A1 \* 11/2007 Morgan ..... 40/700

\* cited by examiner

*Primary Examiner*—Philip S Hyder  
*Assistant Examiner*—Sydney R Buffalow  
(74) *Attorney, Agent, or Firm*—Zhigang Ma

(57) **CLAIM**

The ornamental design for a digital photo frame, as shown and described.

**DESCRIPTION**

FIG. 1 is a perspective view of a digital photo frame showing our new design;

FIG. 2 is a rear elevational view thereof;

FIG. 3 is a front elevational view thereof;

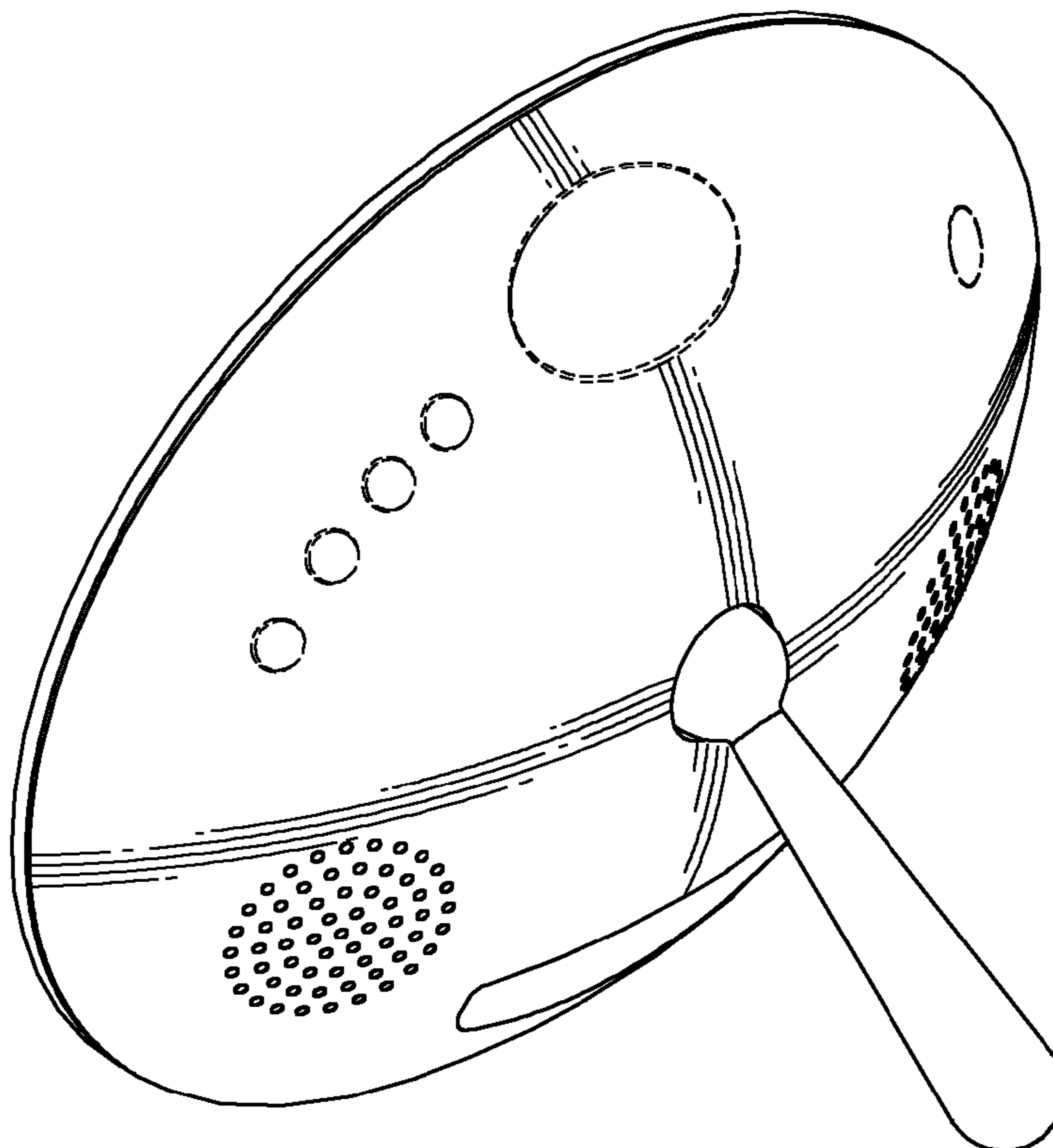
FIG. 4 is a right side elevational view thereof;

FIG. 5 is a left side elevational view thereof;

FIG. 6 is a top plan view thereof; and,

FIG. 7 is a bottom plan view thereof.

**1 Claim, 7 Drawing Sheets**



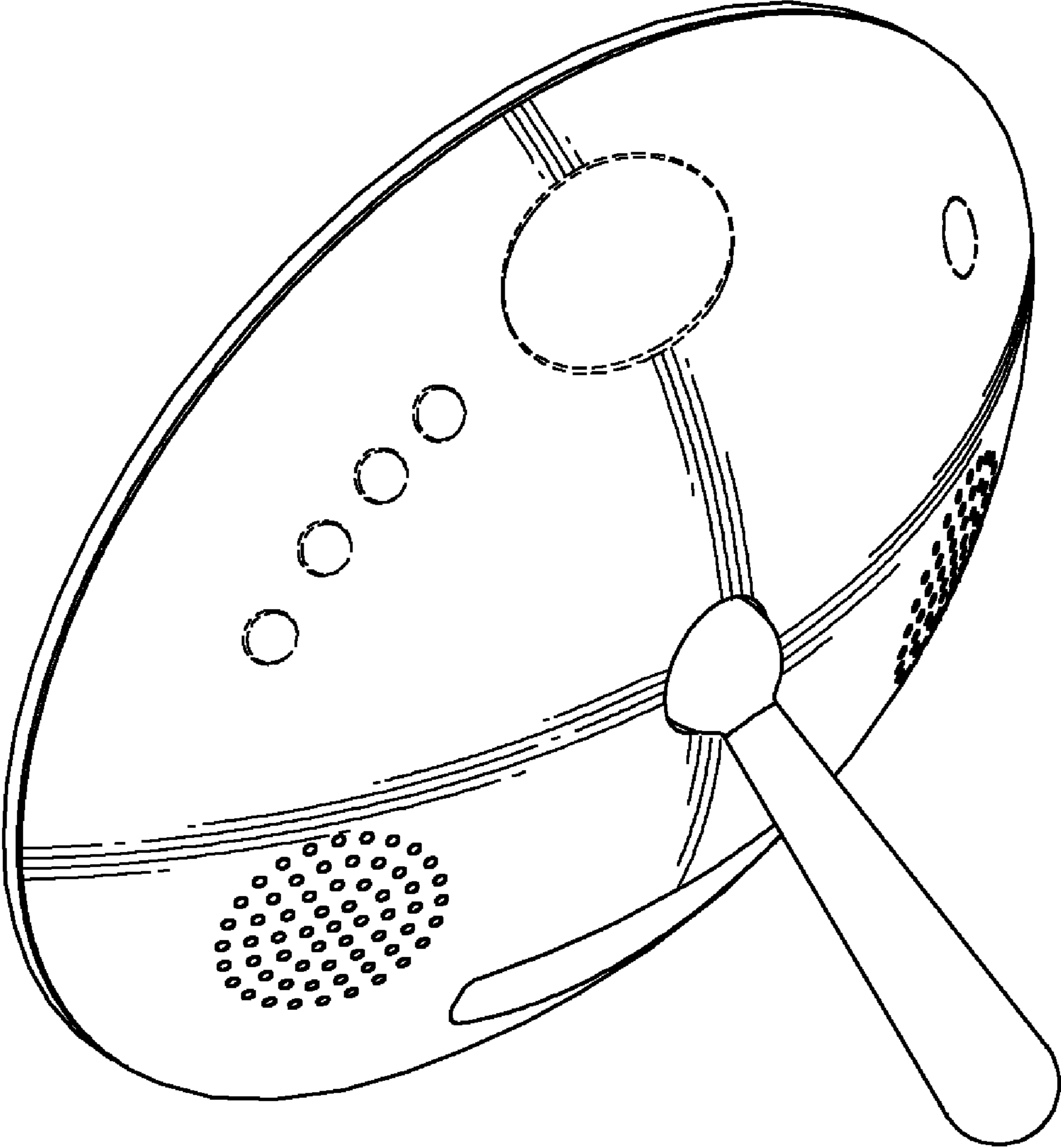


FIG. 1

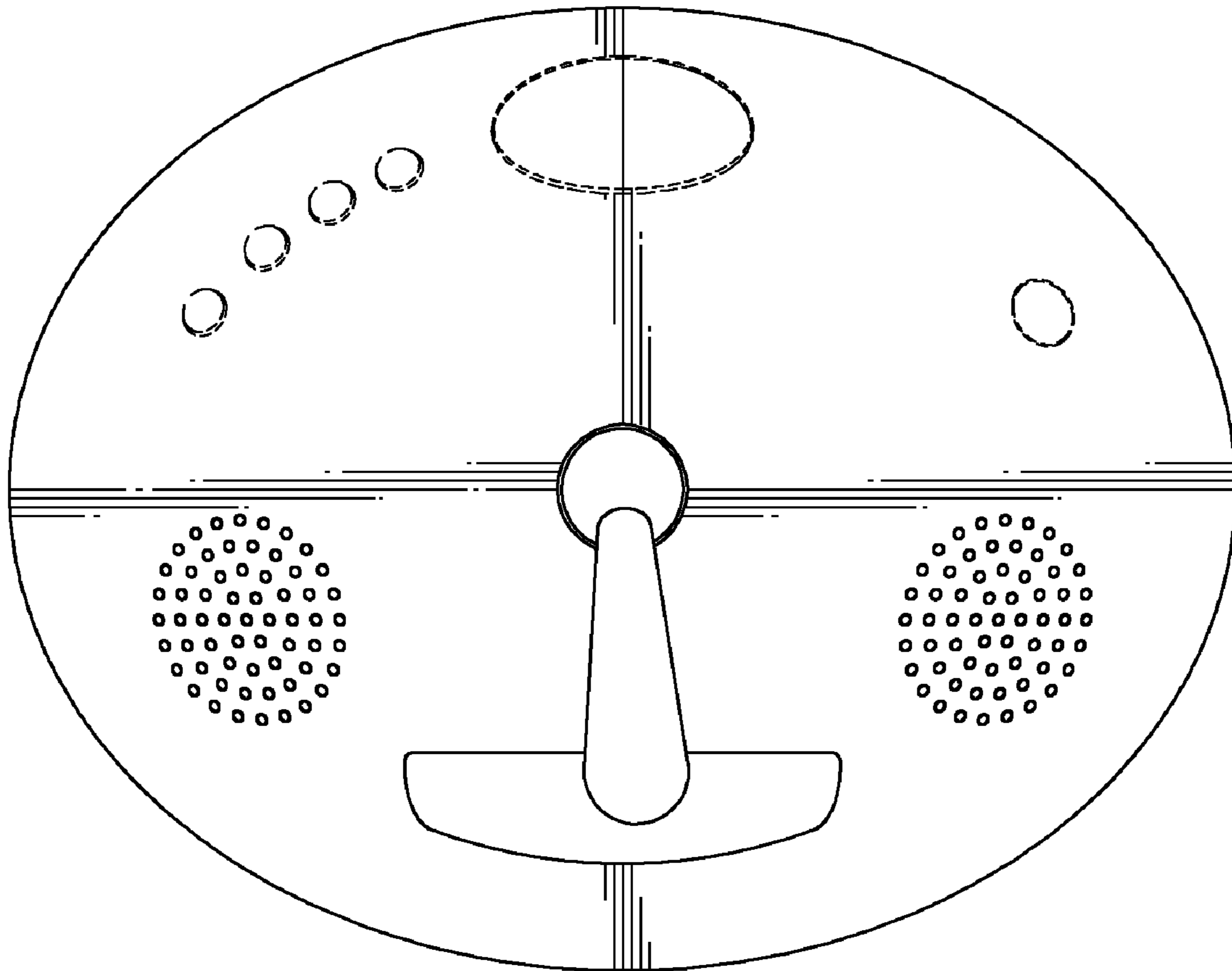


FIG. 2

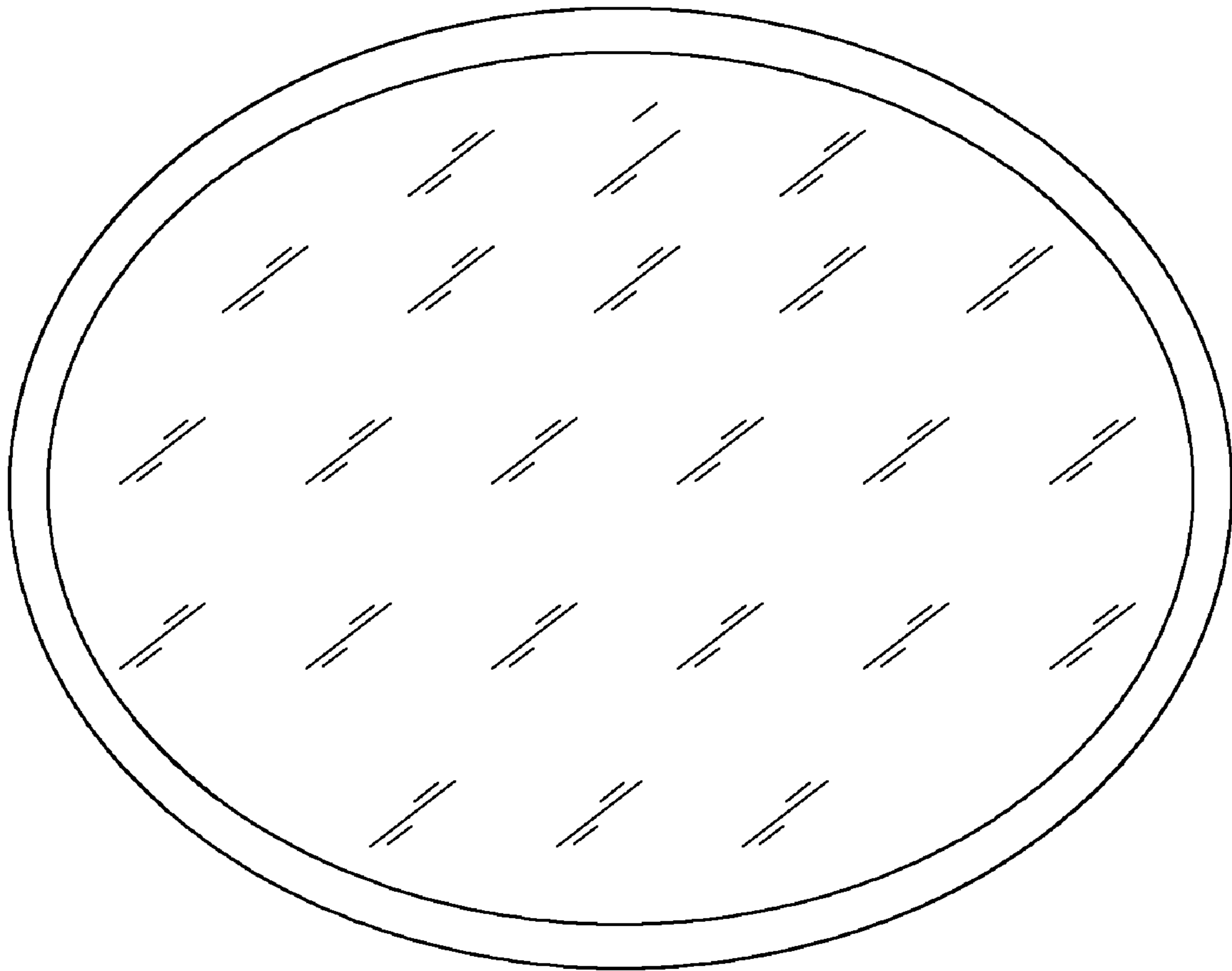


FIG. 3

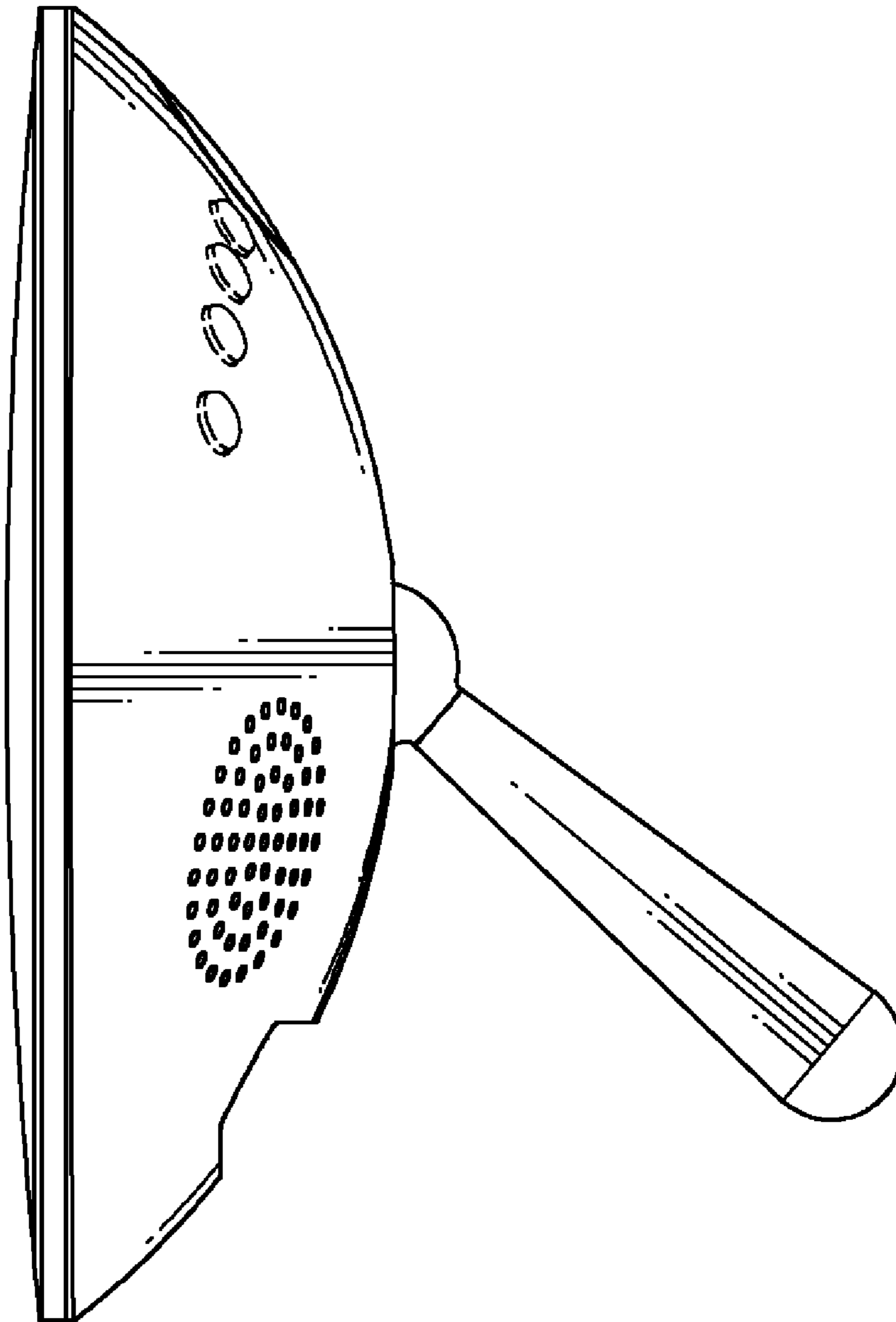


FIG. 4

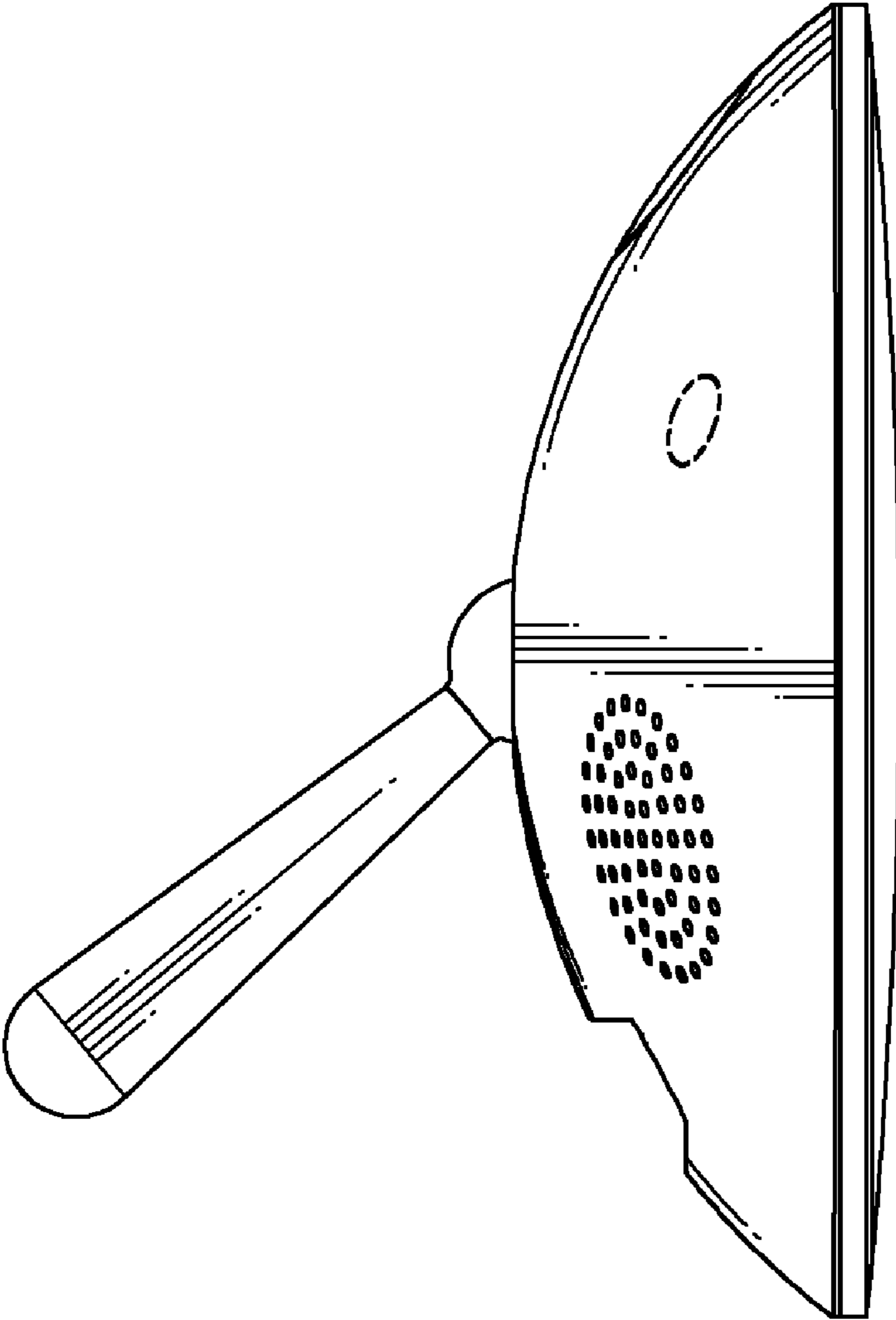


FIG. 5

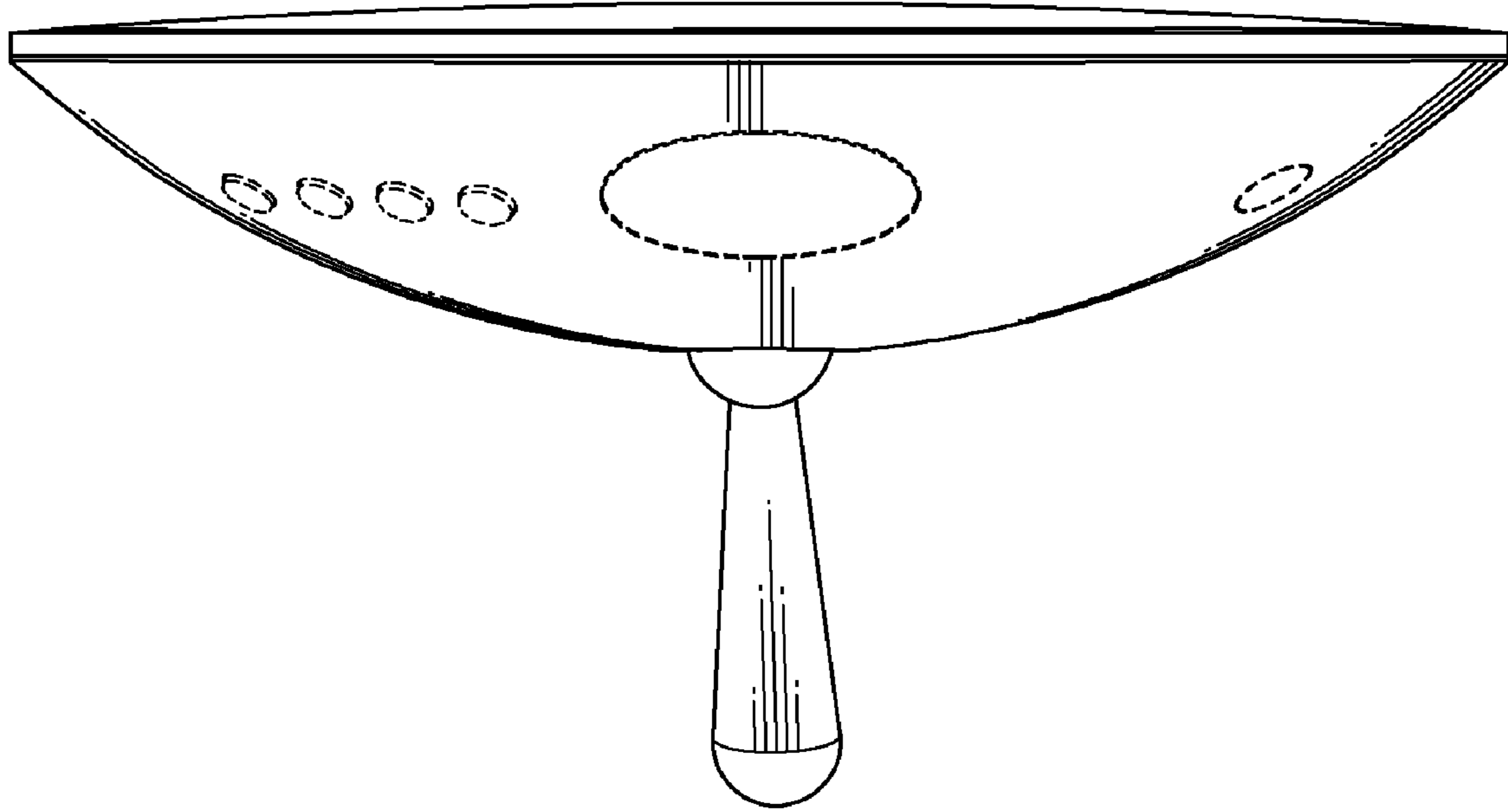


FIG. 6

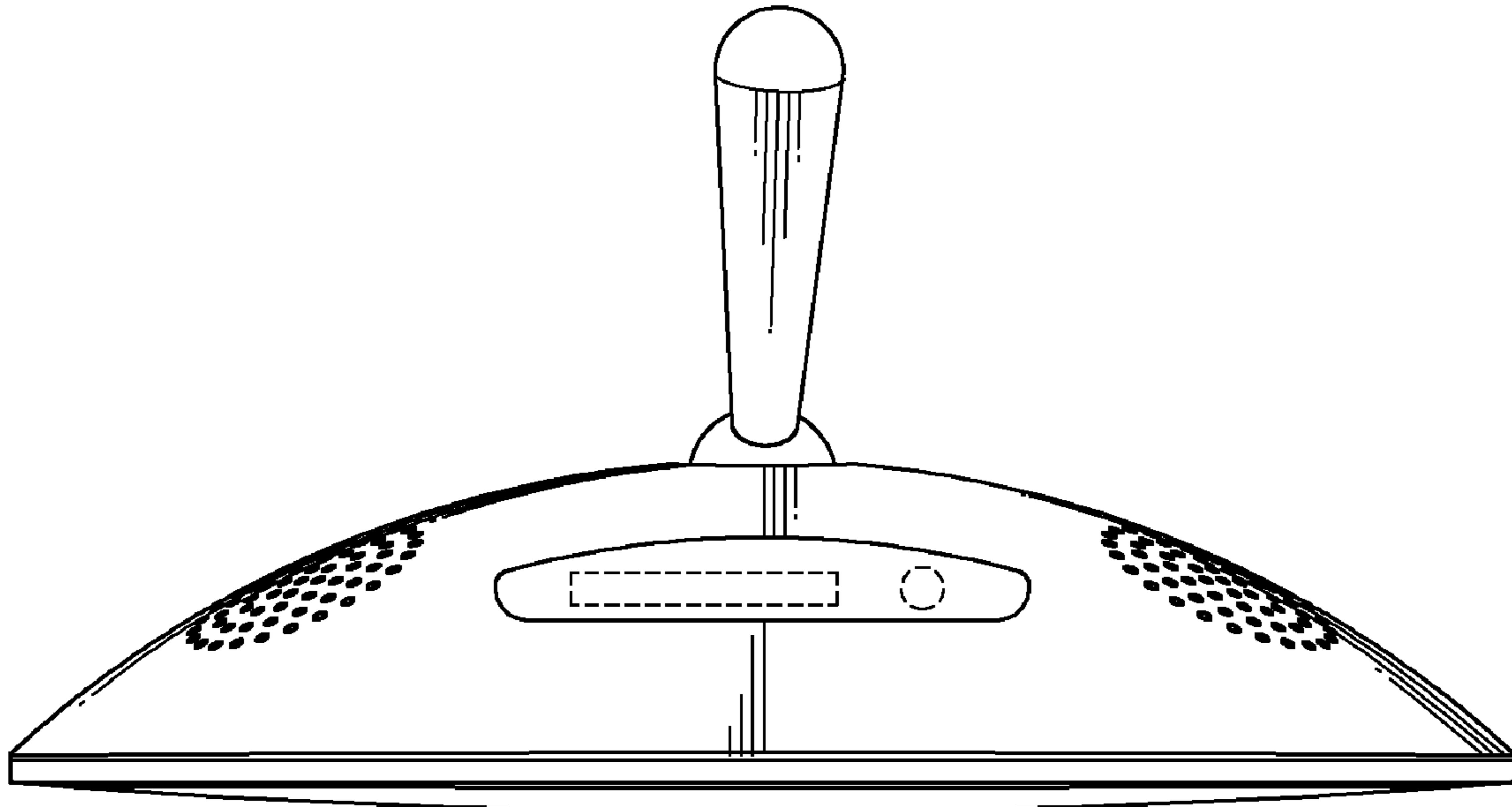


FIG. 7