



US00D613951S

(12) **United States Design Patent**
Tang et al.

(10) **Patent No.:** **US D613,951 S**
(45) **Date of Patent:** **** Apr. 20, 2010**

(54) **DIGITAL PHOTO FRAME WITH REMOTE CONTROL DEVICE**

D595,252 S * 6/2009 Schuler Thorne et al. .. D14/129
D597,974 S * 8/2009 Iseki D14/126
D600,456 S * 9/2009 Son D6/308
D601,143 S * 9/2009 Oikawa et al. D14/371

(75) Inventors: **Chiang-Kuo Tang**, Taipei Hsien (TW);
Qian-Kun Han, Shenzhen (CN)

* cited by examiner

(73) Assignee: **Hon Hai Precision Industry Co., Ltd.**,
Tu-Cheng, Taipei Hsien (TW)

Primary Examiner—Philip S Hyder
Assistant Examiner—Sydney R Buffalow
(74) *Attorney, Agent, or Firm*—Zhigang Ma

(**) Term: **14 Years**

(21) Appl. No.: **29/343,439**

(57) **CLAIM**

(22) Filed: **Sep. 14, 2009**

The ornamental design for a digital photo frame with remote control device, as shown and described.

(30) **Foreign Application Priority Data**

DESCRIPTION

Aug. 6, 2009 (CN) 2009 3 0311272.3

FIG. 1 is a perspective view of a digital photo frame with remote control device showing our new design;

(51) **LOC (9) Cl.** **06-07**

FIG. 2 is a front elevational view thereof;

(52) **U.S. Cl.** **D6/308; D14/371; D6/311**

FIG. 3 is a rear elevational view thereof;

(58) **Field of Classification Search** D6/300–314;
40/700, 768, 717, 714, 721, 735; D14/371,
D14/372, 448, 449, 450, 374, 381, 382, 336,
D14/337, 250, 146, 341, 496, 331, 126, 130;
D20/10; D10/24, 75, 2

FIG. 4 is a left side elevational view thereof;

FIG. 5 is a right side elevational view thereof;

FIG. 6 is a top plan view thereof;

See application file for complete search history.

FIG. 7 is a bottom plan view thereof; and,

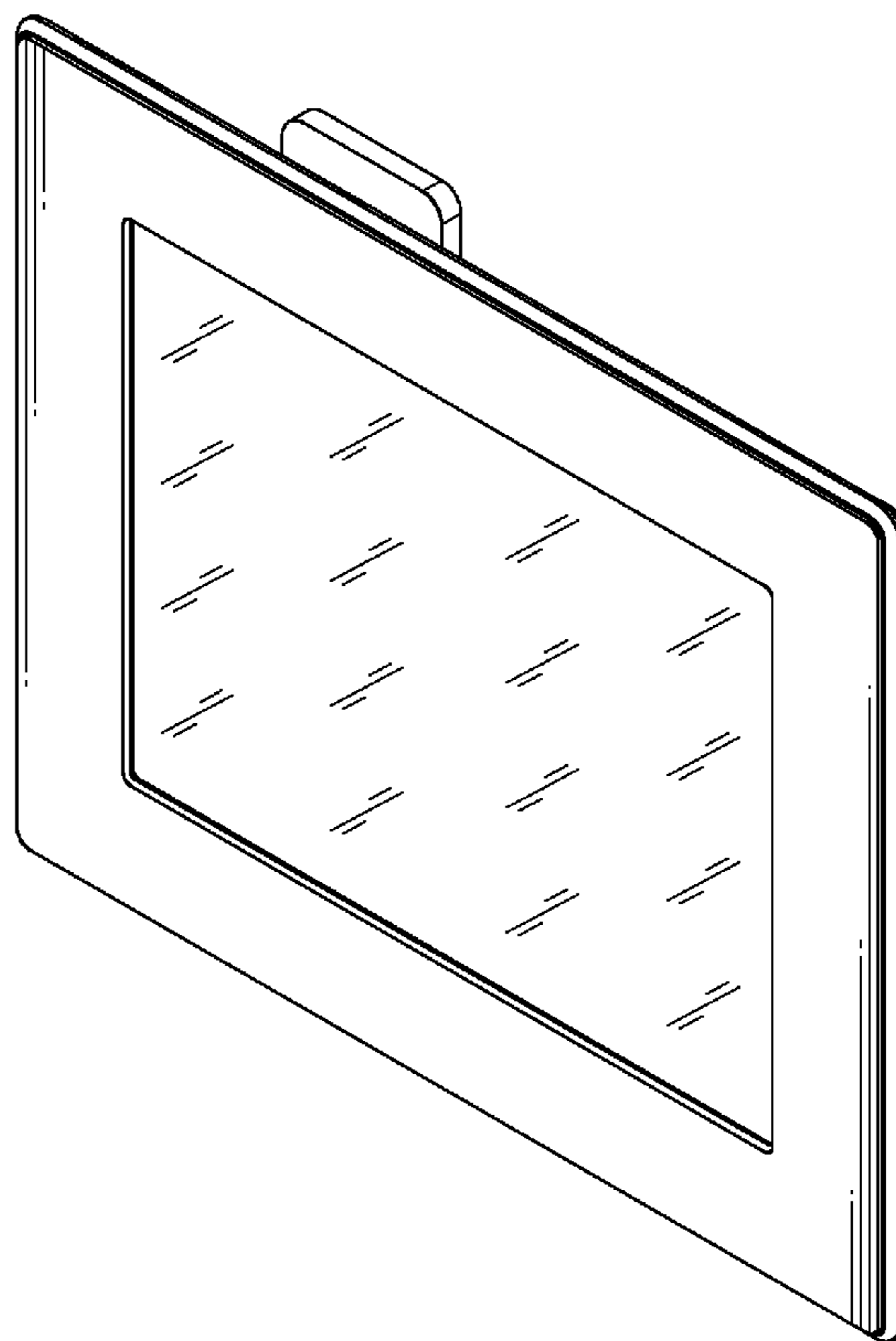
FIG. 8 is a rear perspective view, showing a remote control device being detached from the digital photo frame of FIG. 1.

(56) **References Cited**

U.S. PATENT DOCUMENTS

D545,777 S * 7/2007 Kim D14/126

1 Claim, 8 Drawing Sheets



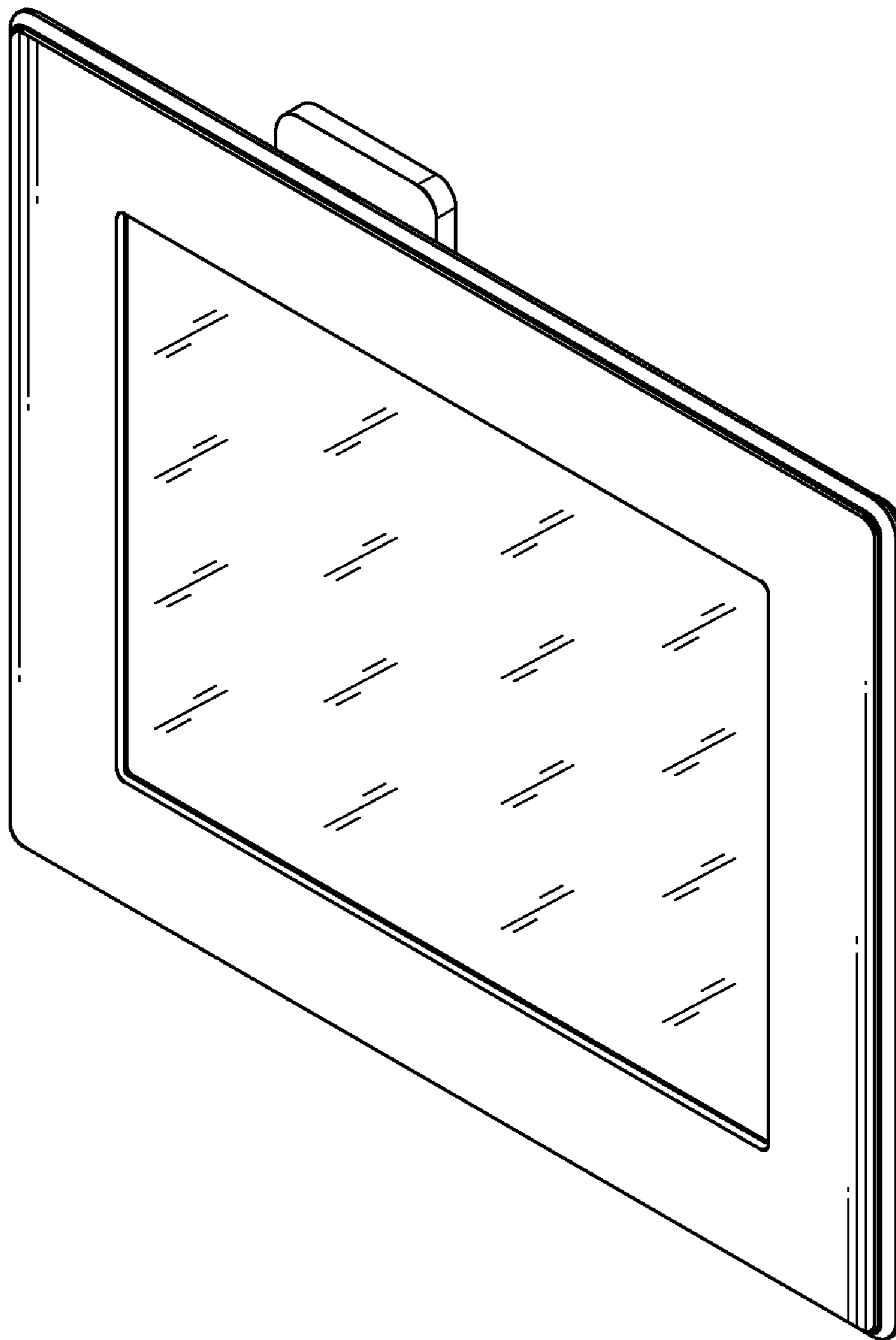


FIG. 1

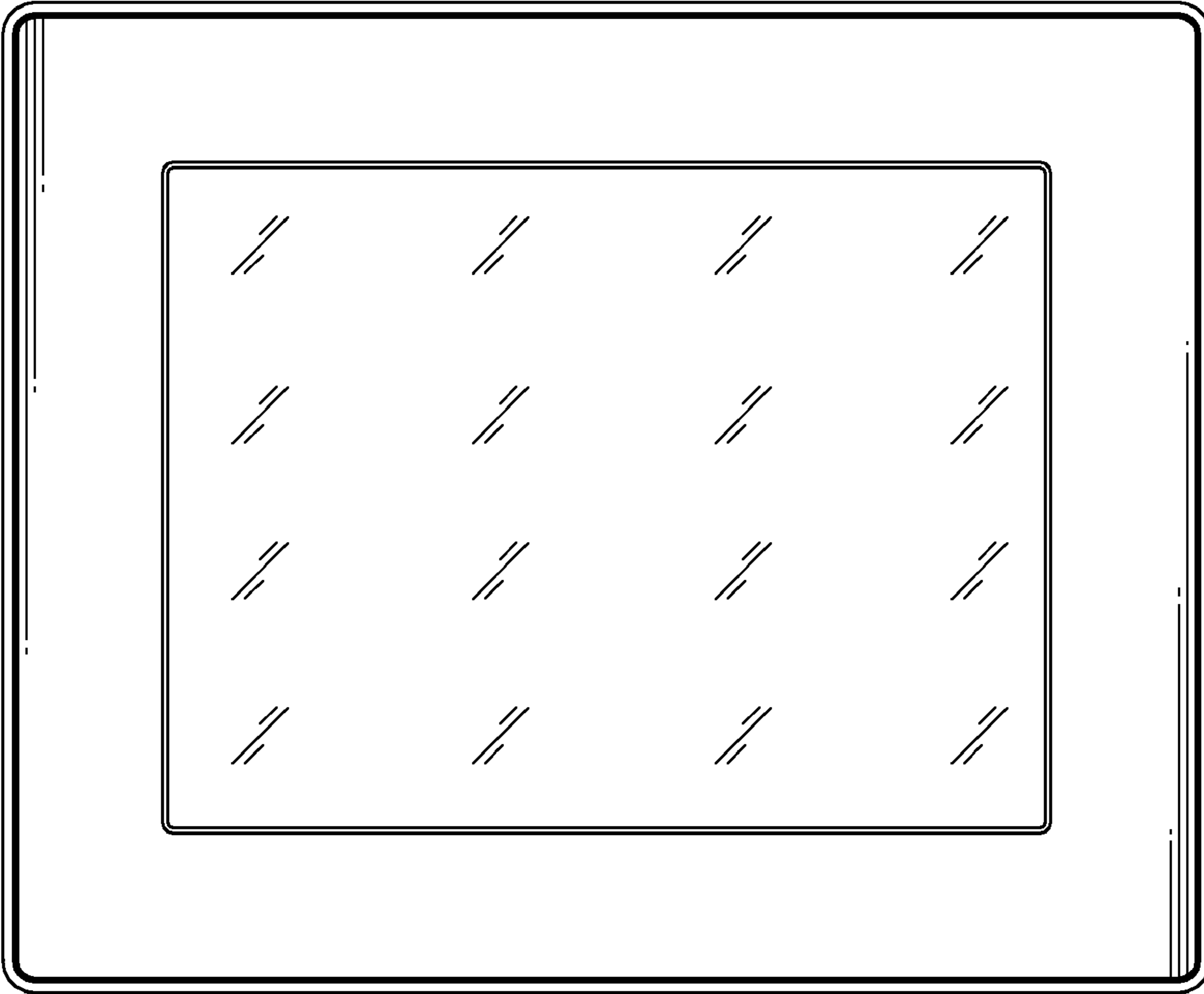


FIG. 2

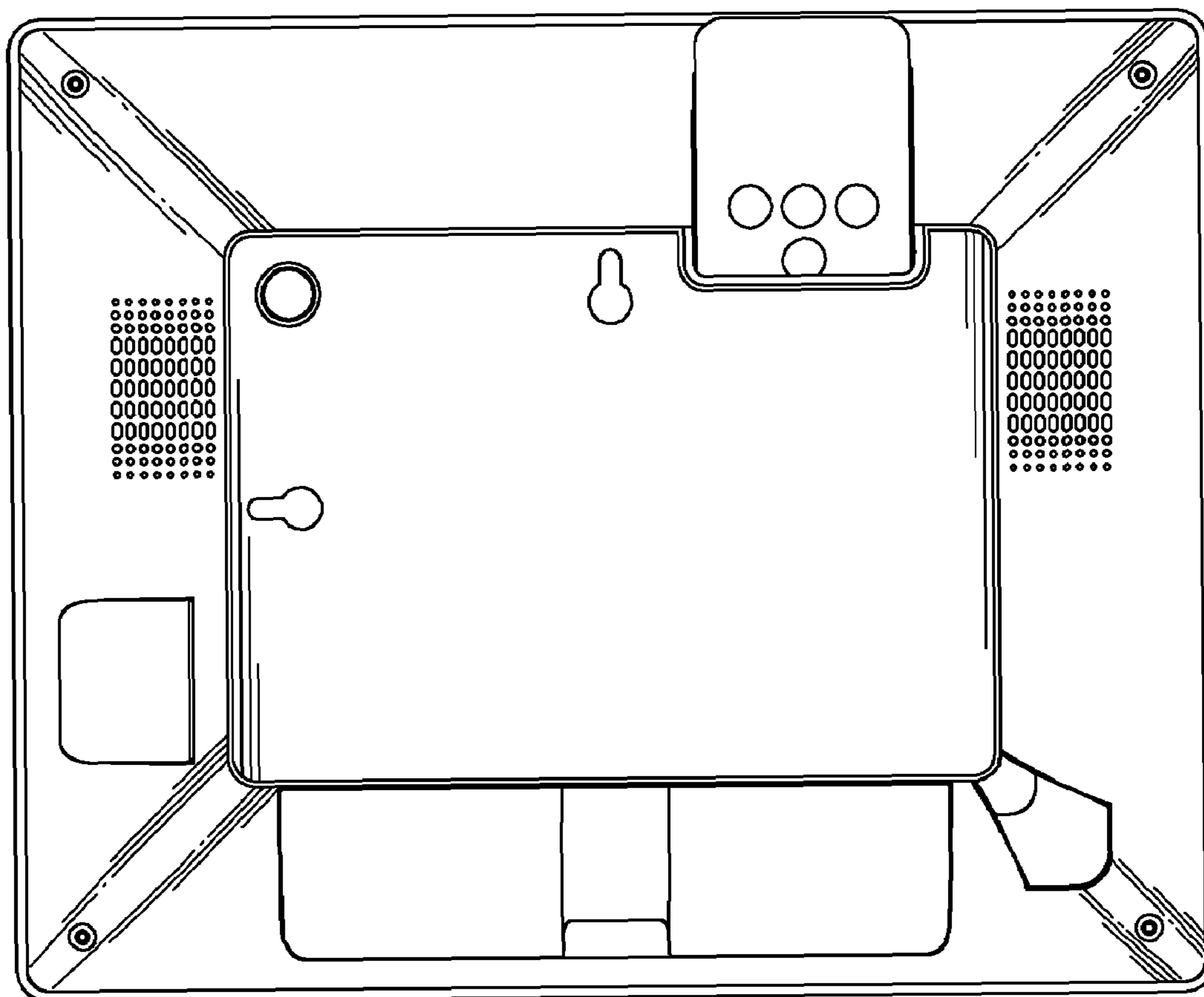


FIG. 3

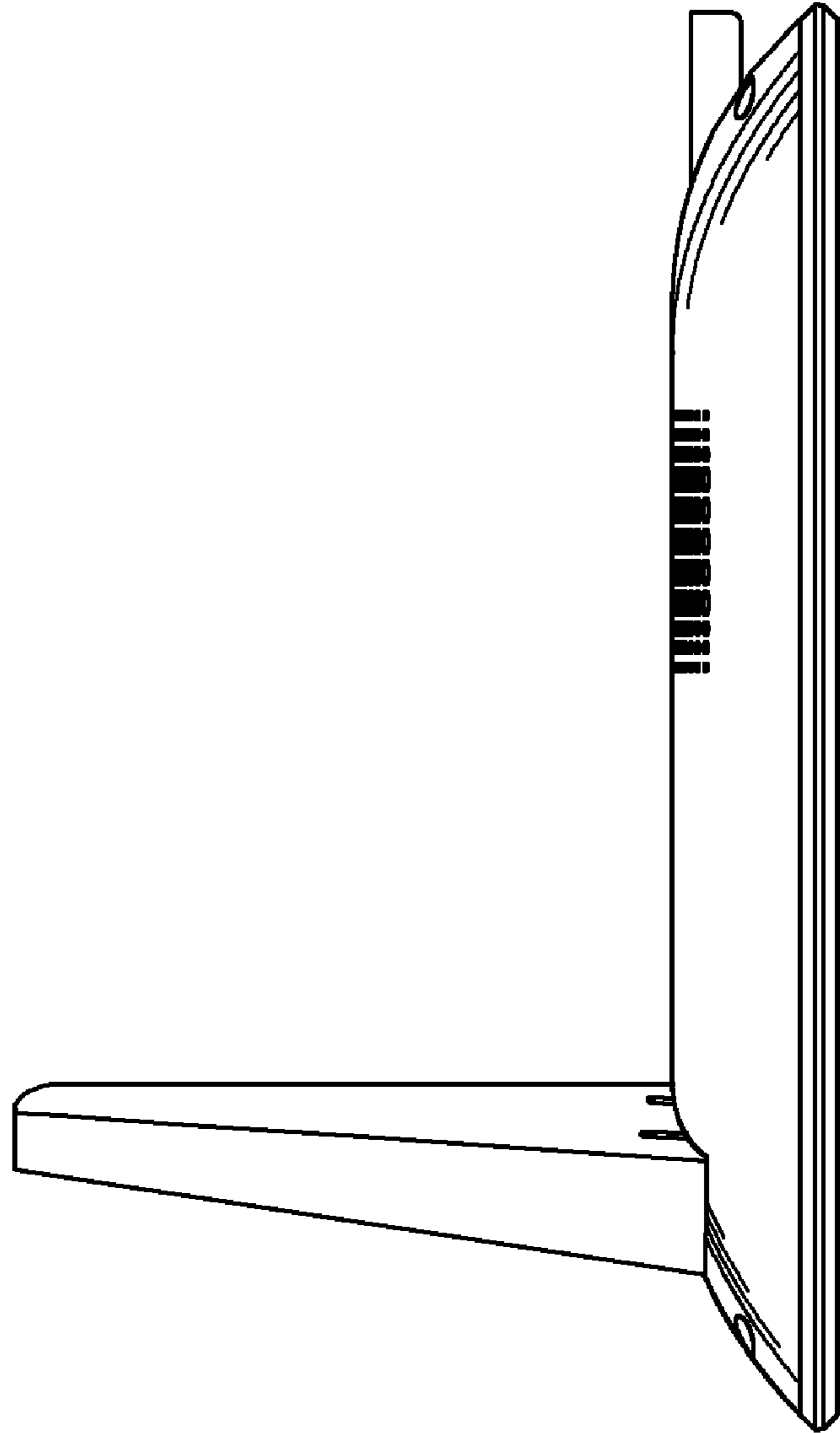


FIG. 4

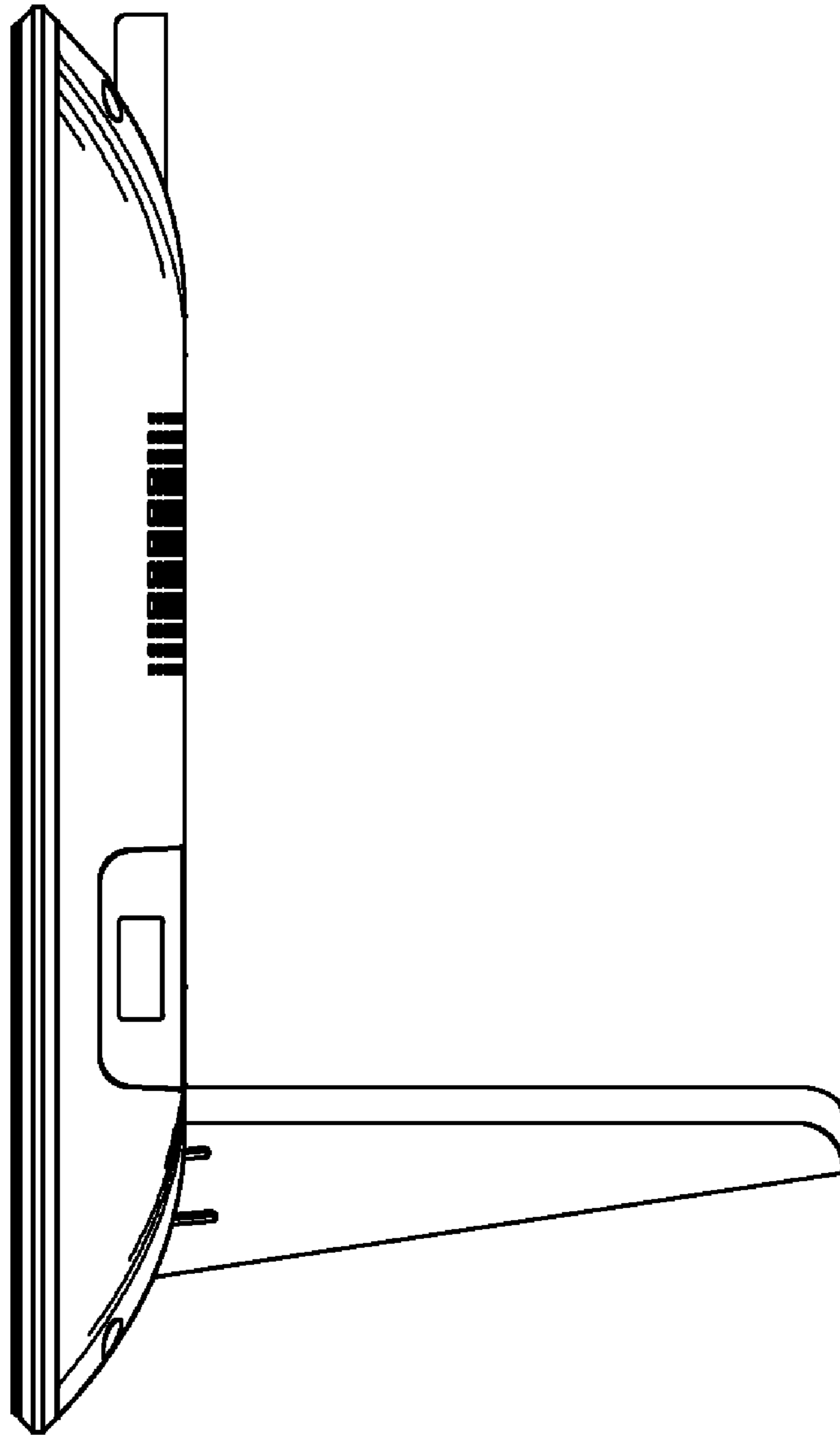


FIG. 5

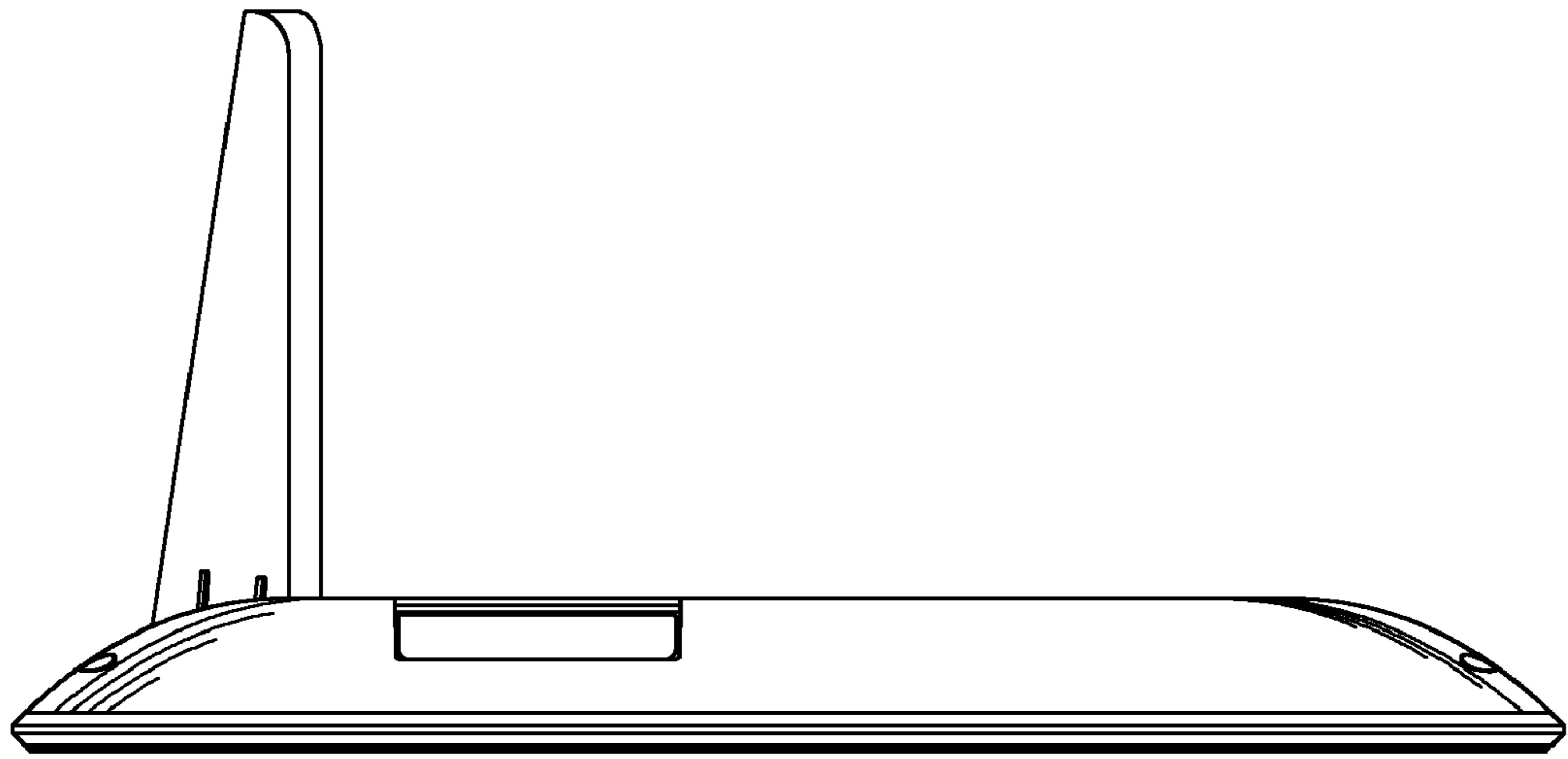


FIG. 6

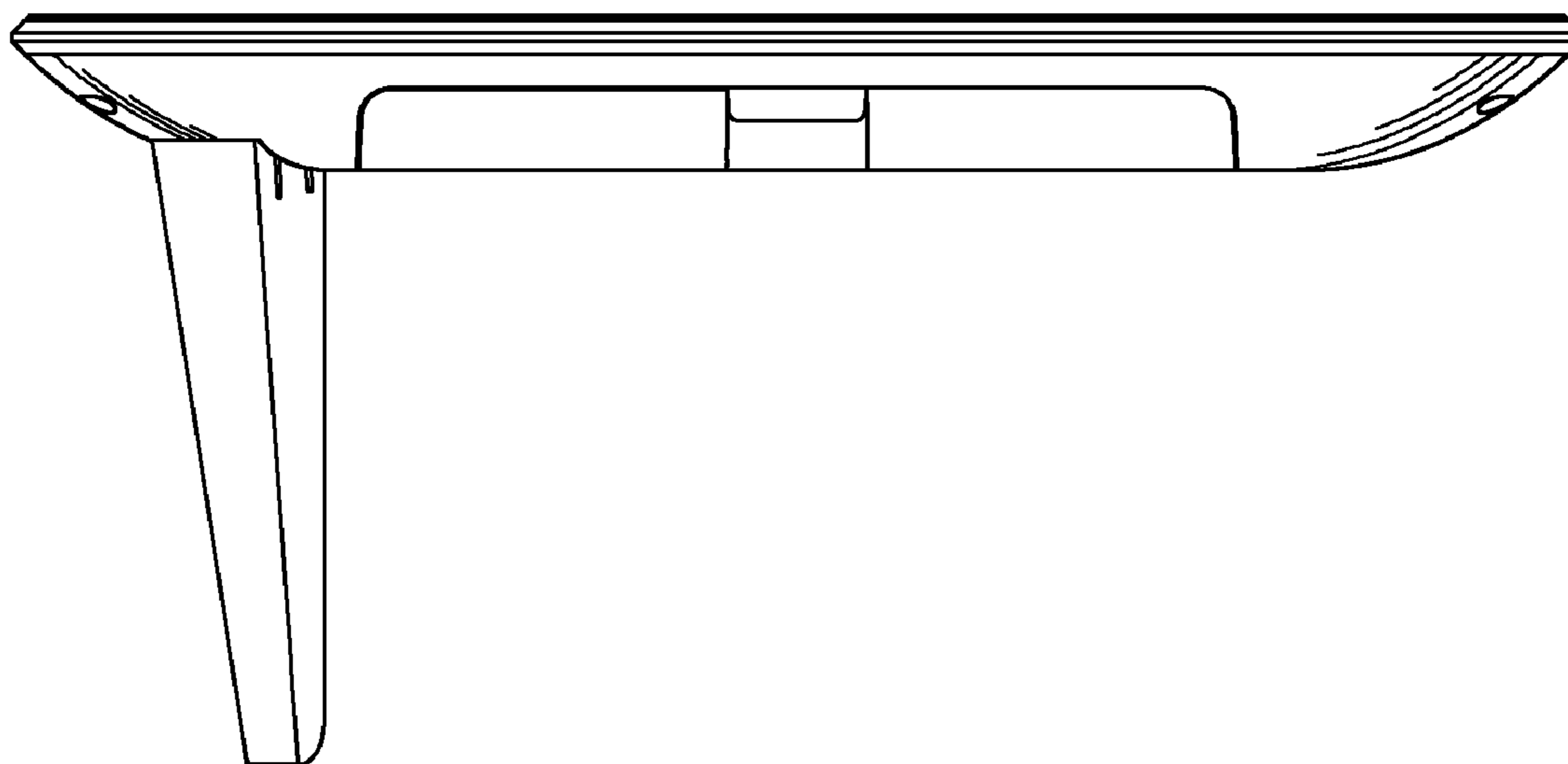


FIG. 7

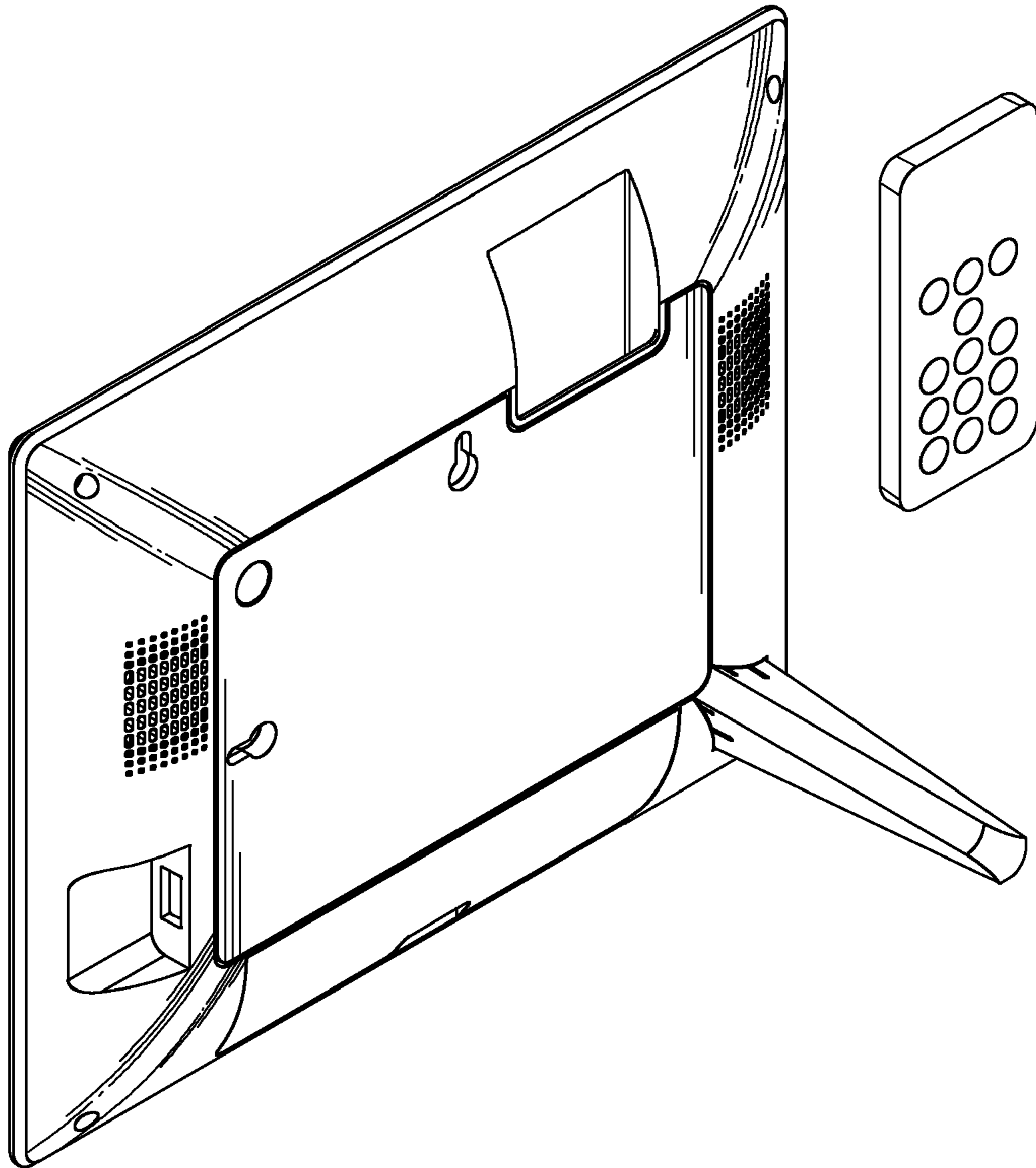


FIG. 8