



US00D613950S

(12) **United States Design Patent**  
**Seckinger**

(10) **Patent No.:** **US D613,950 S**

(45) **Date of Patent:** **\*\* Apr. 20, 2010**

(54) **RIFLE SHELL HOLDER**

(76) Inventor: **Edwin Seckinger**, N17 W30606  
Woodland Hill Dr., Delafield, WI (US)  
53018

(\*\*) Term: **14 Years**

(21) Appl. No.: **29/331,719**

(22) Filed: **Jan. 30, 2009**

(51) **LOC (9) Cl.** ..... **06-07**

(52) **U.S. Cl.** ..... **D6/302**

(58) **Field of Classification Search** ..... D6/300-314;  
40/700, 768, 800, 735, 798, 725, 711, 743,  
40/538; D9/451, 418; D11/132, 131, 133;  
D19/75, 82, 84; 428/542.4, 11, 14; D20/37  
See application file for complete search history.

(56) **References Cited**

**U.S. PATENT DOCUMENTS**

D260,503 S *	9/1981	Stangarone	.....	D11/132
D320,364 S *	10/1991	Hernandez	.....	D11/131
D330,525 S *	10/1992	Grindley, Jr.	.....	D11/132
D357,643 S *	4/1995	Ilaria et al.	.....	D11/132
D359,928 S *	7/1995	Ilaria et al.	.....	D11/132

D381,211 S *	7/1997	Aries et al.	.....	D6/300
D384,304 S *	9/1997	Sheldon	.....	D11/132
D412,346 S *	7/1999	Roux	.....	D20/37
D587,018 S *	2/2009	Seckinger	.....	D6/302
D587,019 S *	2/2009	Seckinger	.....	D6/302

\* cited by examiner

*Primary Examiner*—Caron Veynar

*Assistant Examiner*—Sydney R Buffalow

(74) *Attorney, Agent, or Firm*—Michael Best & Friedrich  
LLP

(57) **CLAIM**

The ornamental design for a rifle shell holder, as shown and described.

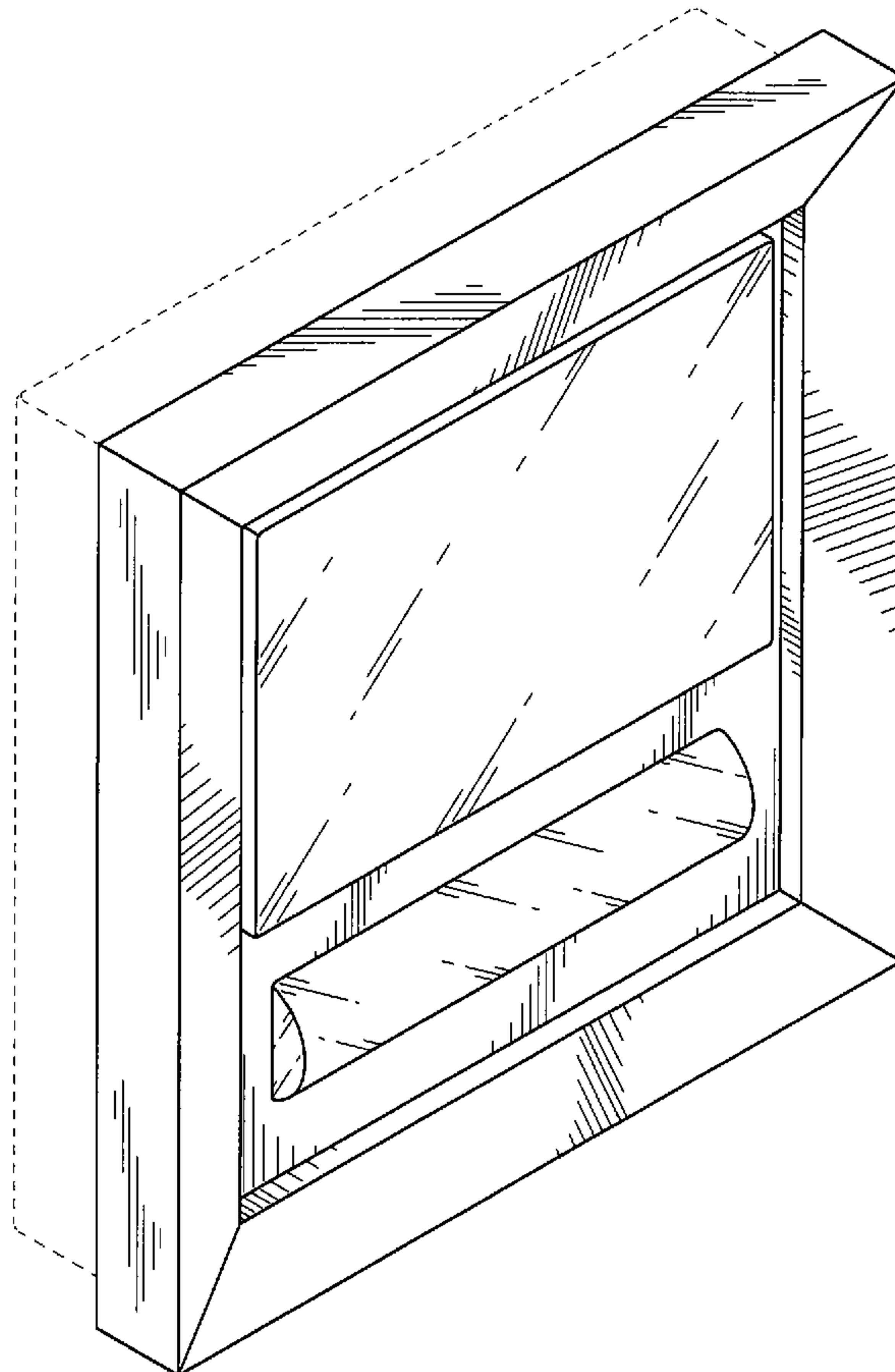
**DESCRIPTION**

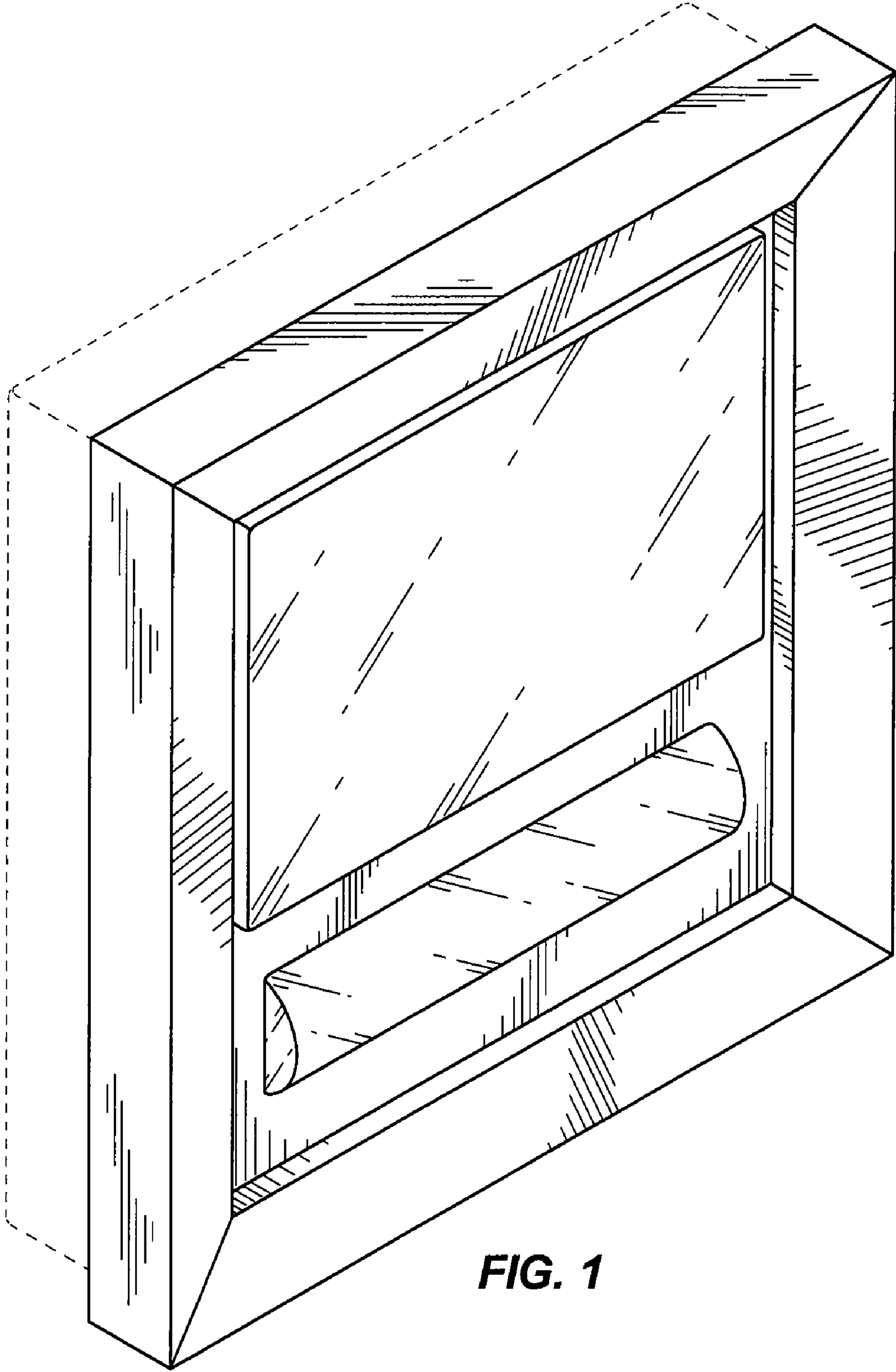
FIG. 1 is a perspective view of a rifle shell holder embodying the invention;

FIG. 2 is a front view of the rifle shell holder of FIG. 1; and, FIG. 3 is a right side view of the rifle shell holder of FIG. 1.

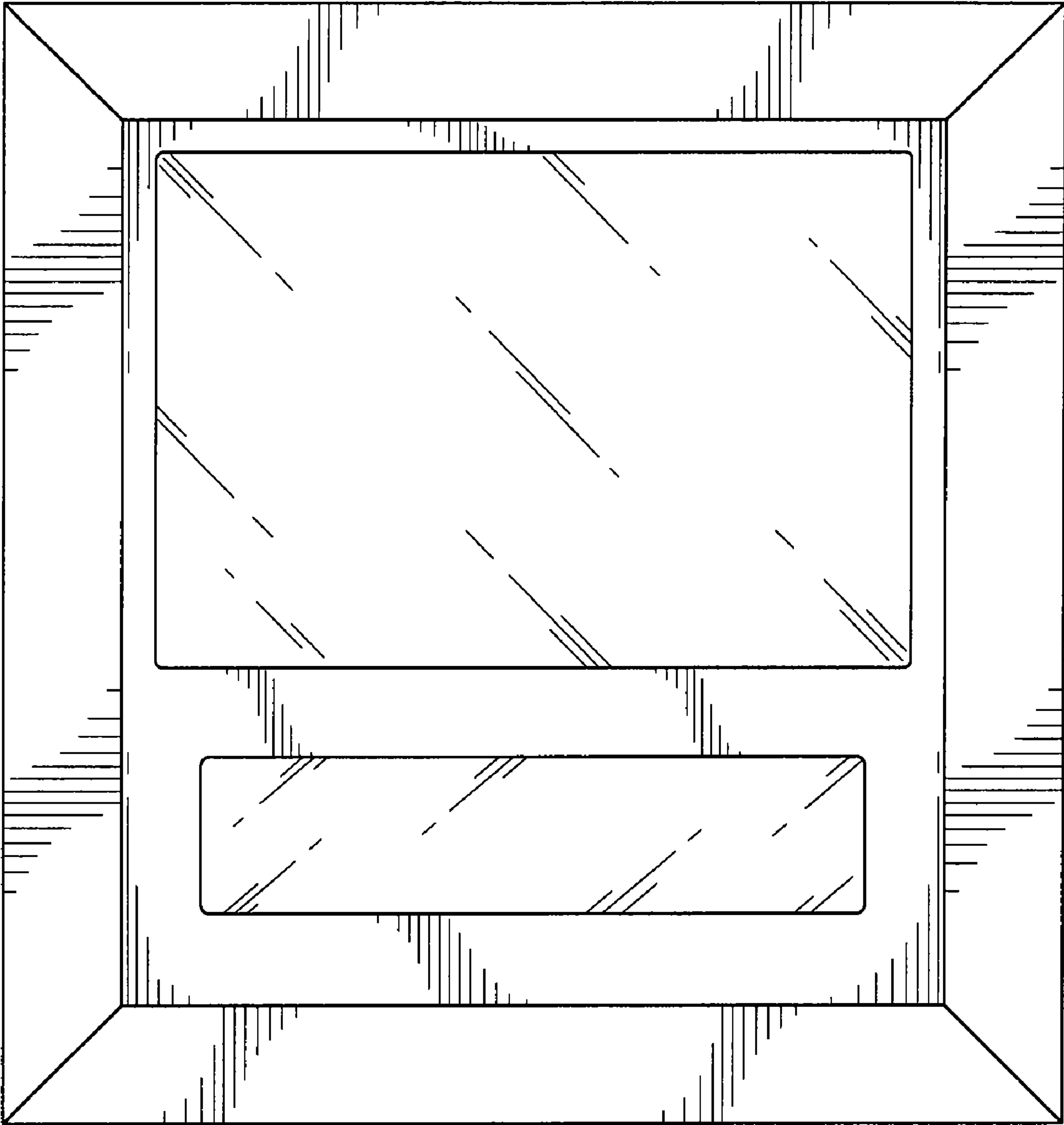
The broken lines showing the environment is for illustrative purposes only and forms no part of the claimed design.

**1 Claim, 3 Drawing Sheets**

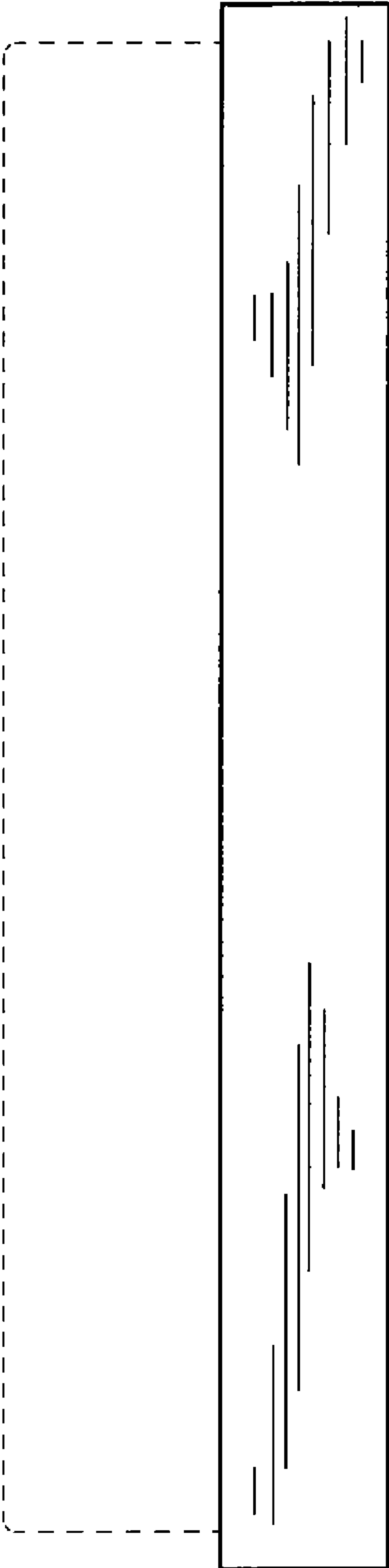




**FIG. 1**



**FIG. 2**



**FIG. 3**