



US00D613946S

(12) **United States Design Patent**
Su

(10) **Patent No.:** **US D613,946 S**

(45) **Date of Patent:** **** Apr. 20, 2010**

(54) **TOOL-HOLDING BASE**

(76) **Inventor:** **Cheng-Wei Su**, 13F., No. 403, Taichung Rd., East District, Taichung City 40146 (TW)

(**) **Term:** **14 Years**

(21) **Appl. No.:** **29/344,179**

(22) **Filed:** **Sep. 24, 2009**

(30) **Foreign Application Priority Data**

Jul. 16, 2009 (TW) 98303296

(51) **LOC (9) Cl.** **03-01**

(52) **U.S. Cl.** **D3/313**

(58) **Field of Classification Search** D3/228, D3/304-309, 313, 315, 901, 904, 905; 206/225, 206/373, 233, 372-379, 349, 518, 562; 211/70.6, 211/69, 69.5, 60.1, 60.9, 69.1; D6/567, 553, D6/574, 512, 524

See application file for complete search history.

(56) **References Cited**

U.S. PATENT DOCUMENTS

3,337,058	A *	8/1967	Sandrick	211/69
3,670,938	A *	6/1972	Brocato	206/562
D229,367	S *	11/1973	Maughan	D3/313
4,880,122	A *	11/1989	Martindell	211/70.6
D319,348	S *	8/1991	Monteleon	D3/313
D323,245	S *	1/1992	Hobson	D3/313
D340,610	S *	10/1993	Hubbard	D6/567

D367,757	S *	3/1996	Liu	D3/228
D382,998	S *	9/1997	Conigliaro	D3/313
D405,611	S *	2/1999	Hawkins et al.	D3/313
D442,814	S *	5/2001	Sterling et al.	D6/553
6,367,628	B2 *	4/2002	Hu	206/377
2009/0008280	A1 *	1/2009	Nilferli et al.	206/373

* cited by examiner

Primary Examiner—Robert M Spear
Assistant Examiner—Rashida C McCoy
(74) *Attorney, Agent, or Firm*—Banger Shia

(57) **CLAIM**

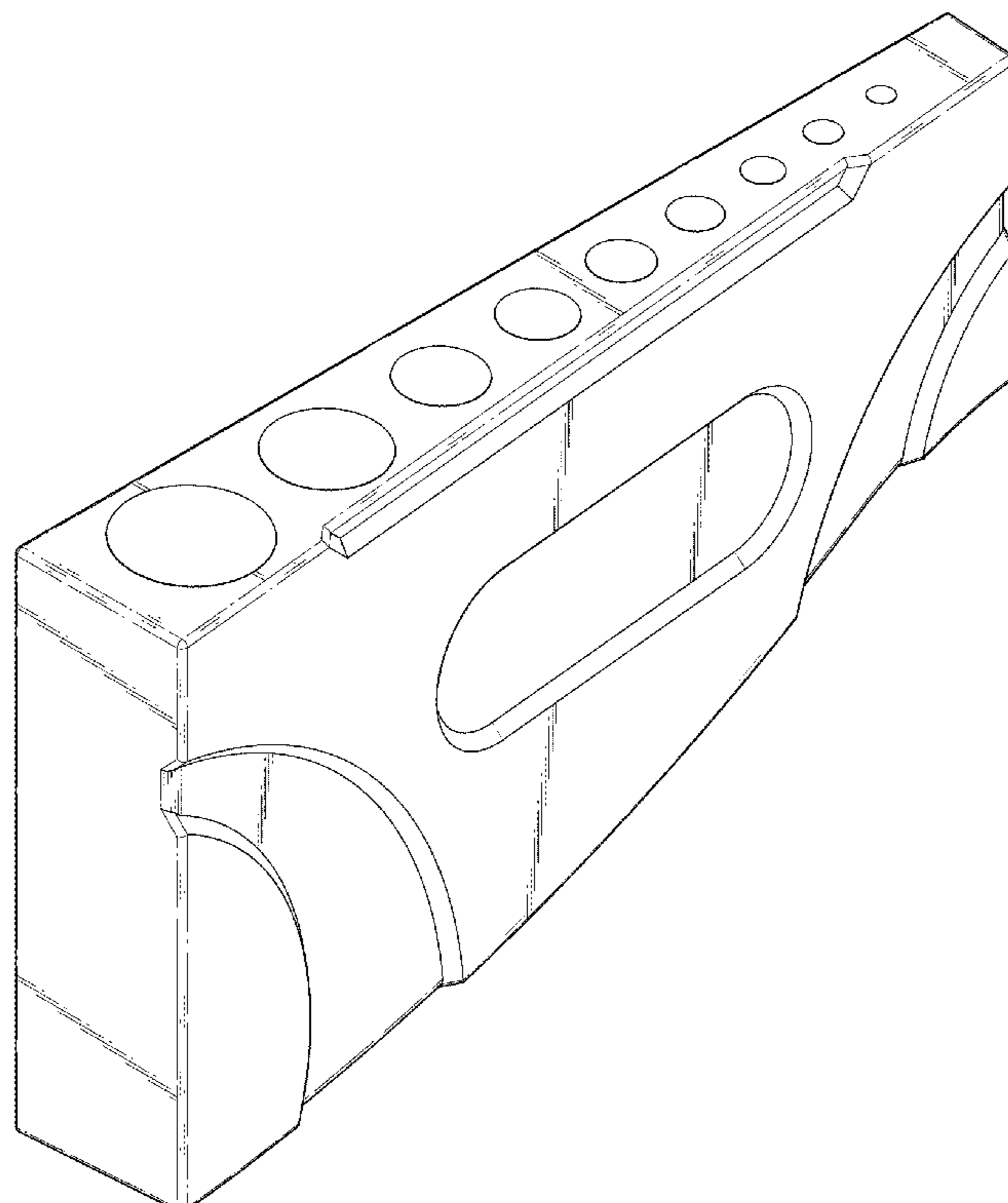
The ornamental design for a tool-holding base, as shown and described.

DESCRIPTION

FIG. 1 is a perspective view of a tool-holding base showing my new design;
FIG. 2 is a front elevational view thereof;
FIG. 3 is a rear elevational view thereof;
FIG. 4 is a left side elevational view thereof;
FIG. 5 is a right side elevational view thereof;
FIG. 6 is a top plan view thereof;
FIG. 7 is a bottom plan view thereof; and,
FIG. 8 is a perspective view thereof, in use.

The broken line showing of a tool illustrates environmental structure and forms no part of the claimed design.

1 Claim, 8 Drawing Sheets



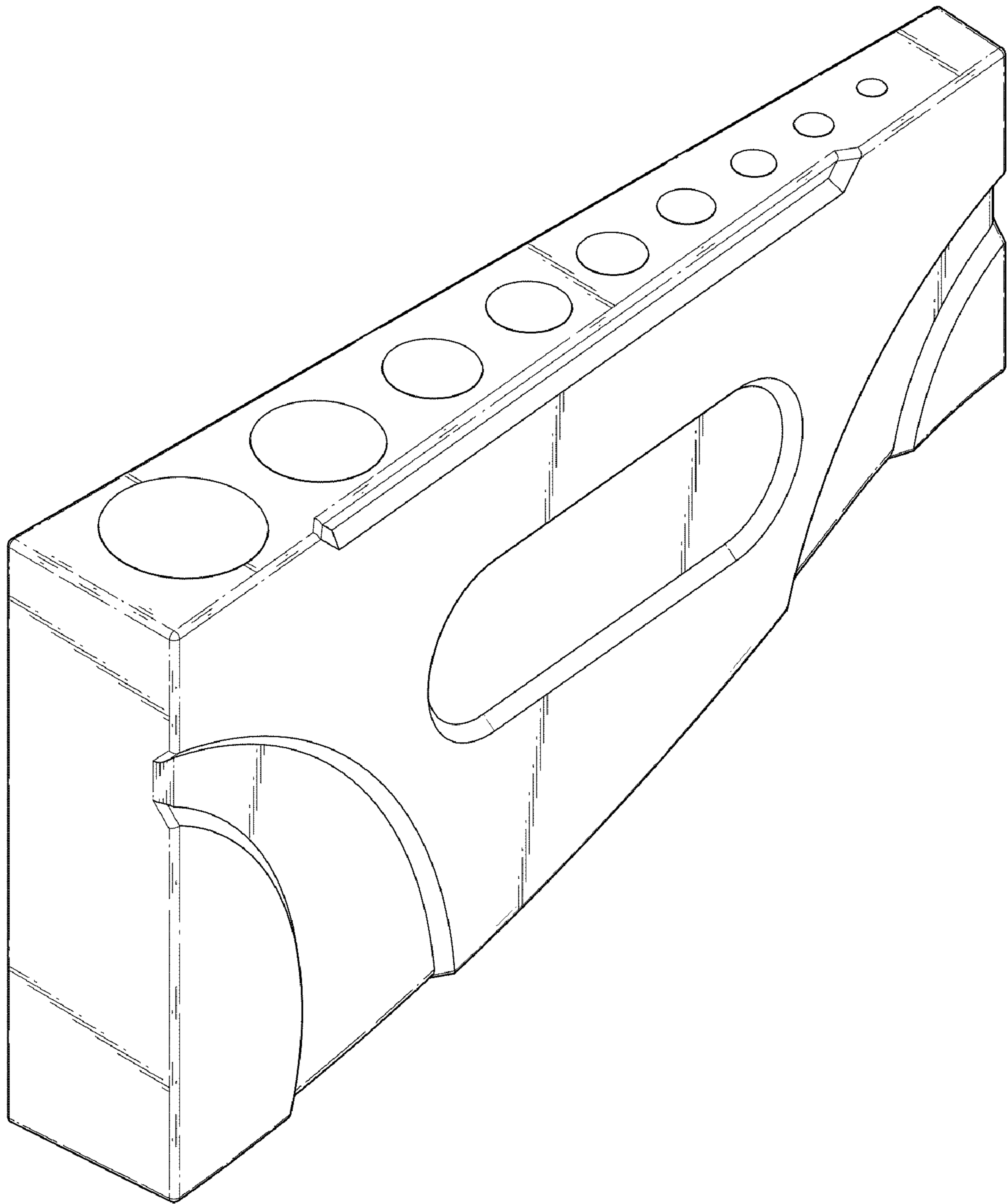


FIG. 1

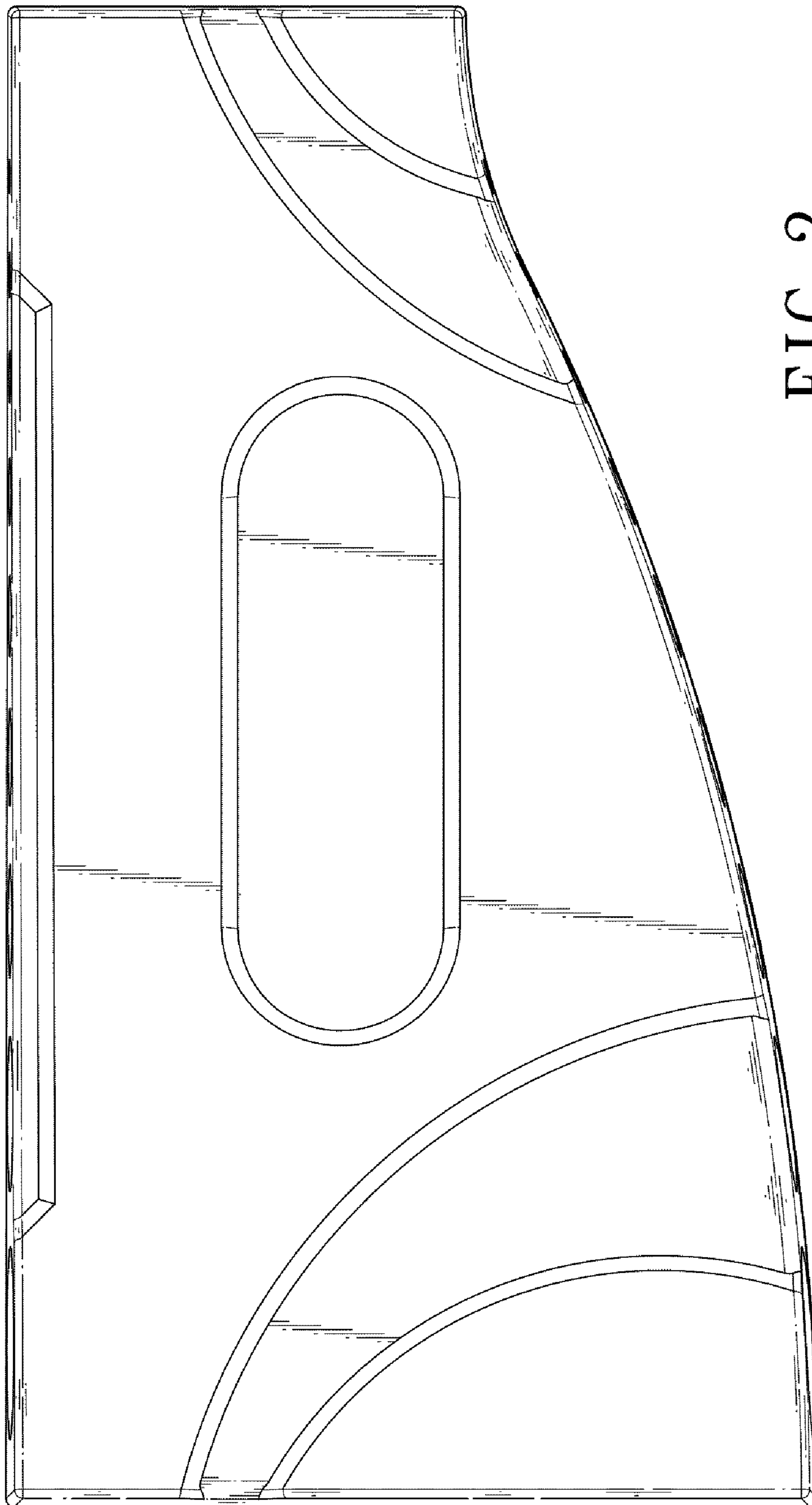


FIG. 2

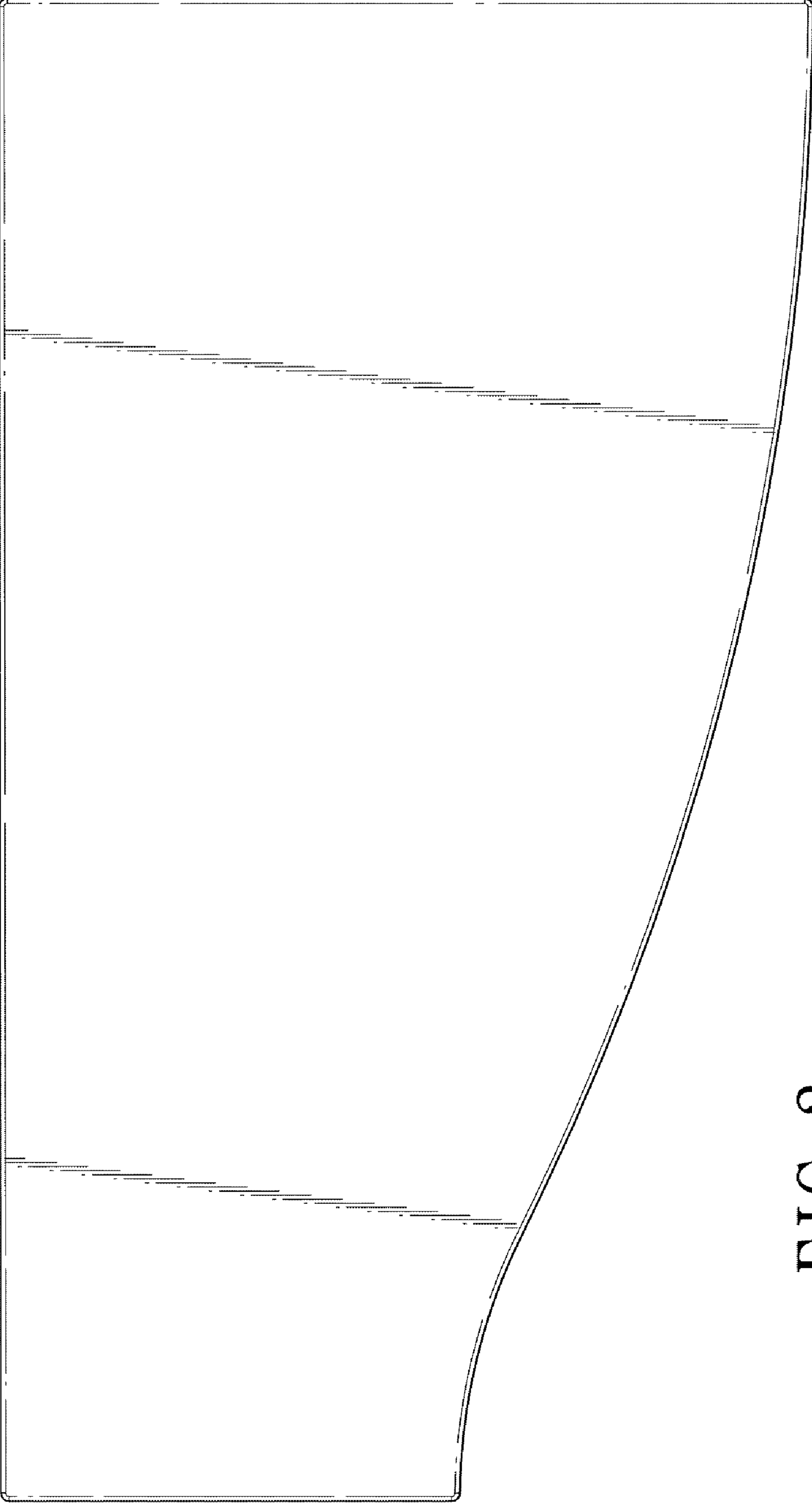


FIG. 3

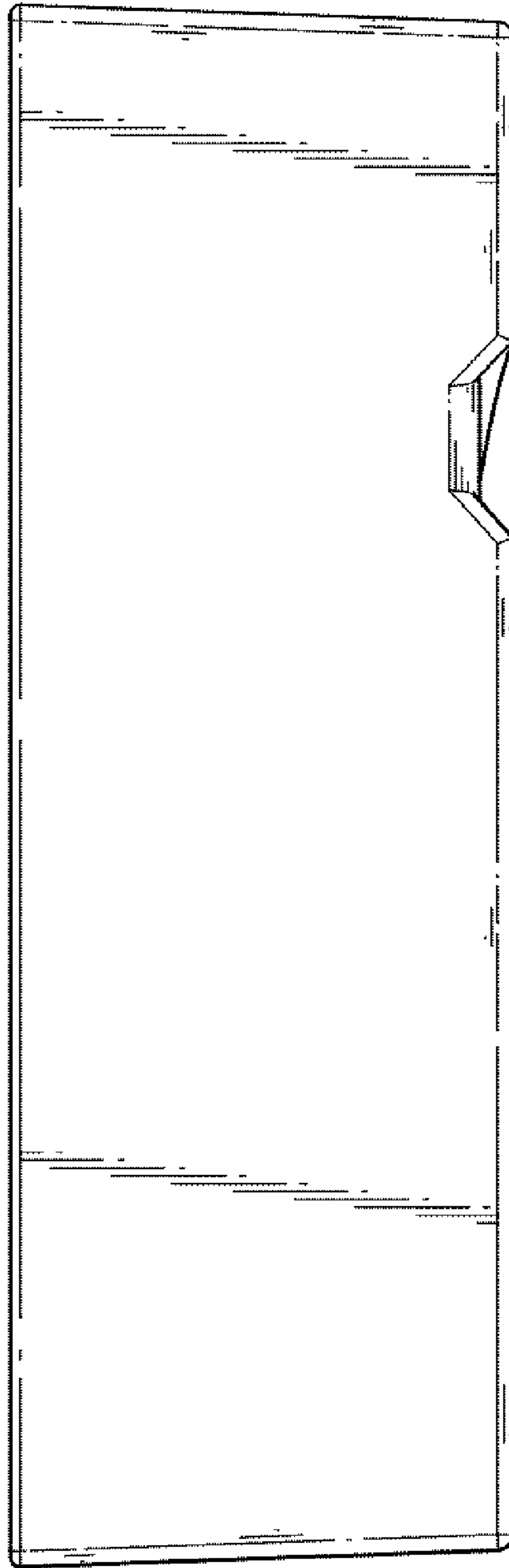


FIG. 4

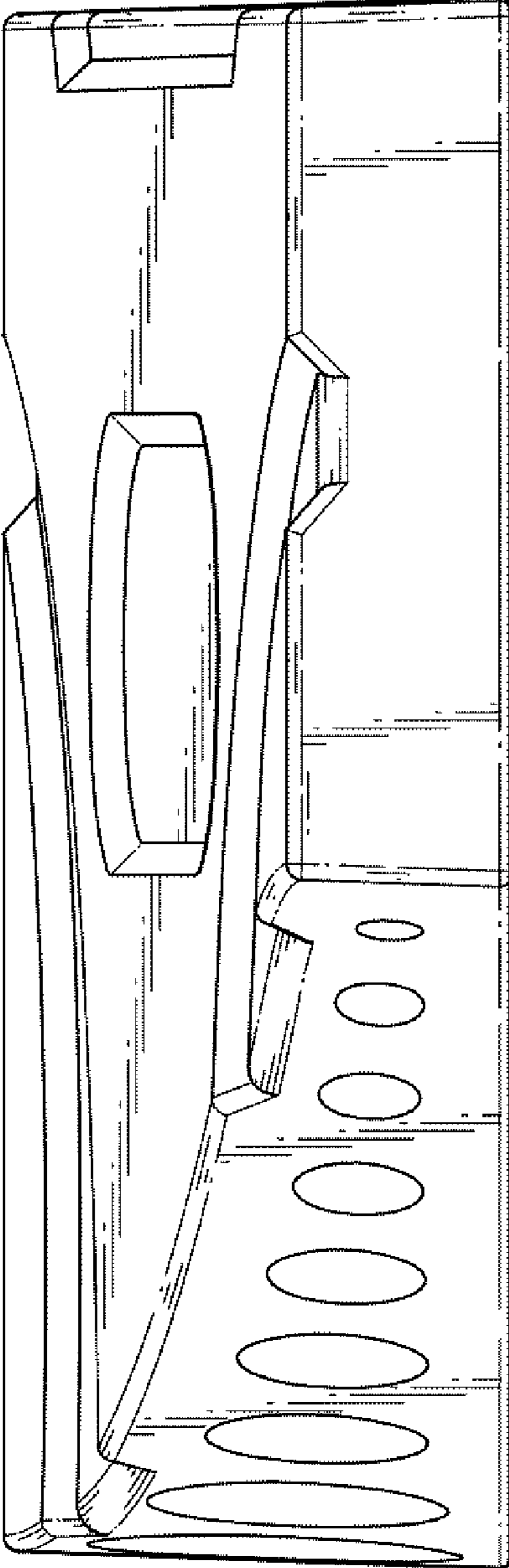


FIG. 5

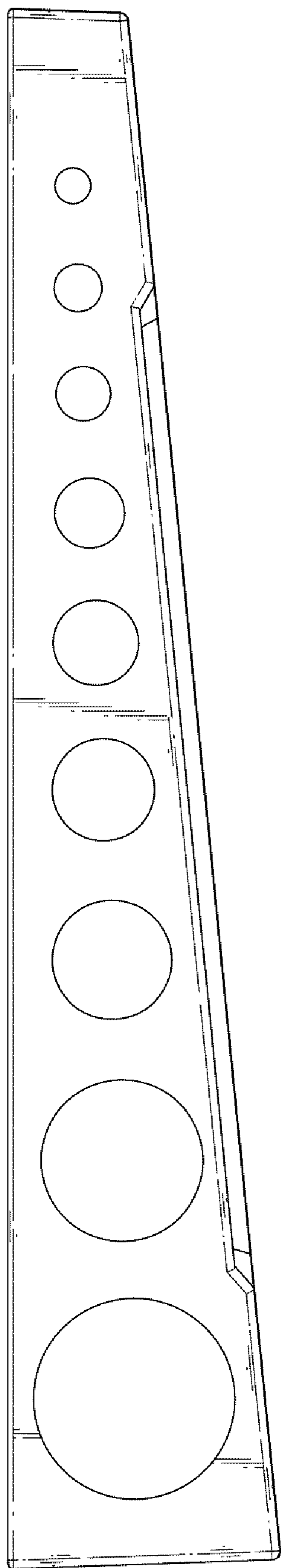


FIG. 6

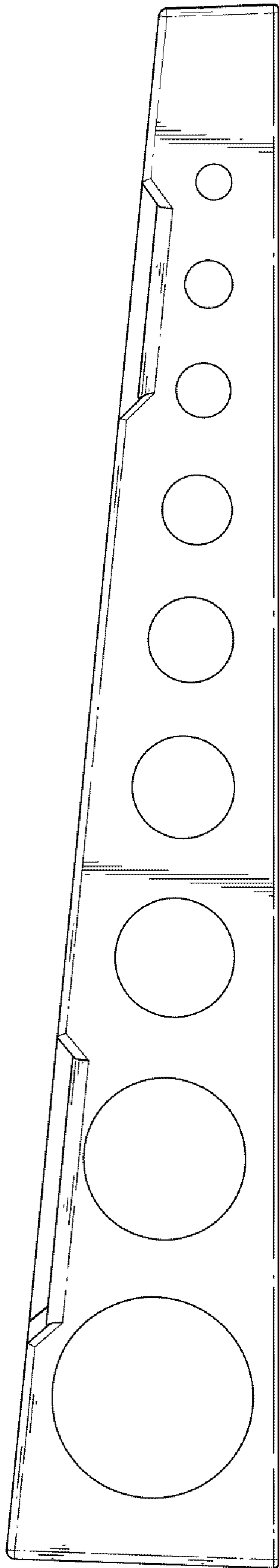


FIG. 7

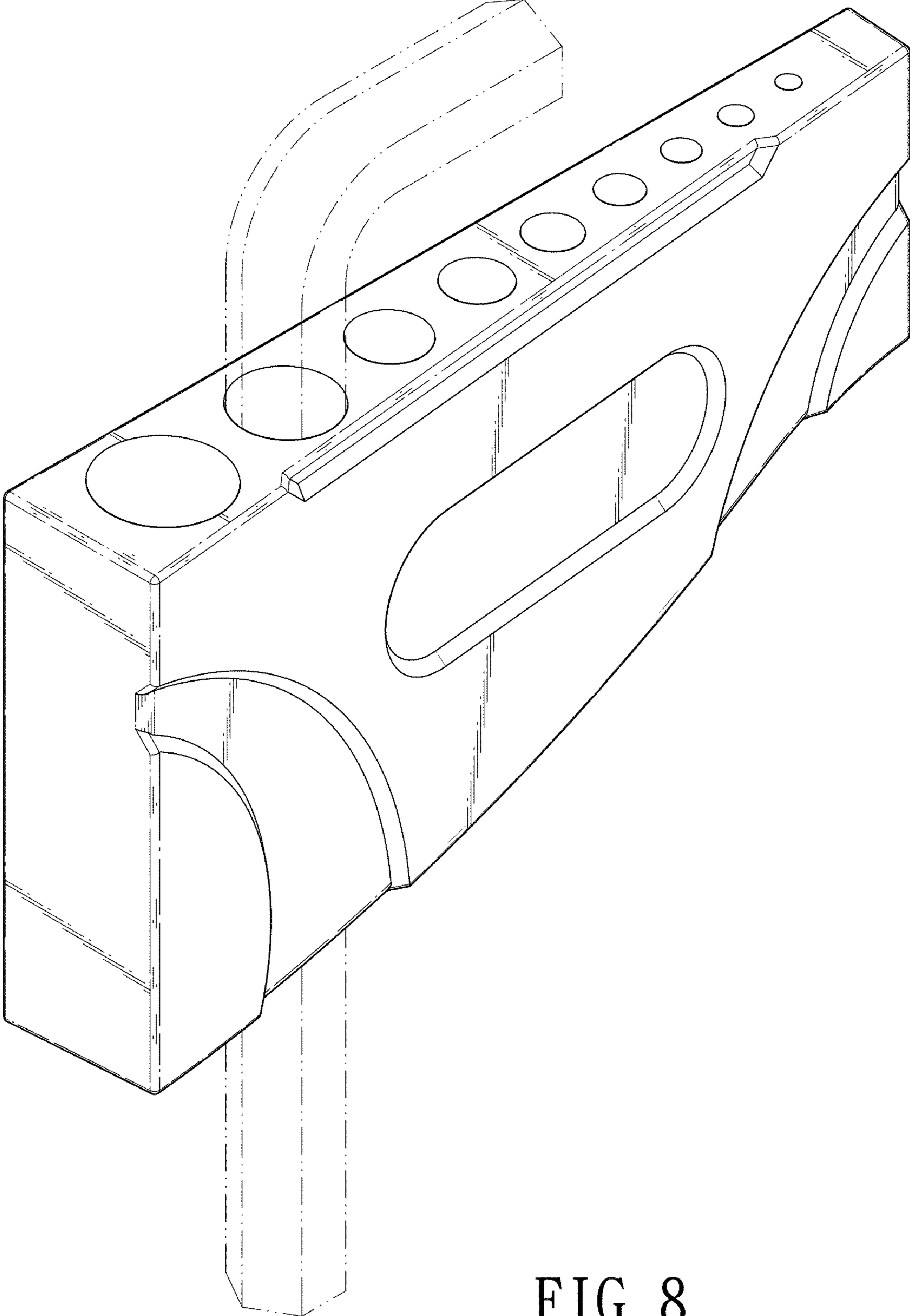


FIG. 8