



US00D613945S

(12) **United States Design Patent**  
**Molina**

(10) **Patent No.:** **US D613,945 S**

(45) **Date of Patent:** **\*\* Apr. 20, 2010**

(54) **TOOL CASE**

(75) Inventor: **Francisco Molina**, Davie, FL (US)

(73) Assignee: **IBT Holdings, Inc**, Dearfield Beach, FL (US)

(\*\*) Term: **14 Years**

(21) Appl. No.: **29/316,273**

(22) Filed: **Sep. 10, 2009**

**Related U.S. Application Data**

(63) Continuation of application No. 29/315,514, filed on Jul. 2, 2009.

(51) **LOC (9) Cl.** ..... **03-01**

(52) **U.S. Cl.** ..... **D3/294; D3/905**

(58) **Field of Classification Search** ..... D3/201, D3/273-274, 284-286, 293-295, 315, 905; D9/415, 420, 423-424; 206/349, 372-374, 206/379; 220/4.21-4.23

See application file for complete search history.

(56) **References Cited**

**U.S. PATENT DOCUMENTS**

D165,219	S	*	11/1951	Degner	.....	D21/392
3,154,192	A		10/1964	Cowley		
D364,563	S	*	11/1995	Miller et al.	.....	D9/423
5,785,179	A	*	7/1998	Buczynski et al.	.....	206/494
5,860,550	A	*	1/1999	Miller et al.	.....	220/4.23
D406,057	S	*	2/1999	Hager	.....	D9/420
5,893,542	A		4/1999	Hu		
D418,977	S		1/2000	Streich		
D434,561	S		12/2000	Vasudeva		
D448,931	S	*	10/2001	Gutierrez et al.	.....	D3/274
D458,127	S	*	6/2002	de Groote	.....	D9/423
D466,807	S	*	12/2002	Buck et al.	.....	D9/425
D468,531	S		1/2003	Hsu		
D474,020	S	*	5/2003	Wang et al.	.....	D3/274
D479,401	S	*	9/2003	Claypool	.....	D3/294

D484,305	S	*	12/2003	Eldon et al.	.....	D3/205
D496,585	S	*	9/2004	McBride et al.	.....	D9/423
D524,541	S	*	7/2006	Cauley	.....	D3/295

**OTHER PUBLICATIONS**

Husky Torx Set Combo. Downloaded Dec. 9, 2009 at <http://www.golfmkv.com/forums/showthread.php?t=81945>.\*

\* cited by examiner

*Primary Examiner*—Philip S Hyder

*Assistant Examiner*—Roselyne Cody

(74) *Attorney, Agent, or Firm*—Dan M. De La Rosa

(57) **CLAIM**

The ornamental design for a tool case, as shown and described.

**DESCRIPTION**

FIG. 1 is a front perspective view of the tool case of the present invention in a closed position showing my new design;

FIG. 2 is a perspective view of the tool case in an opened position;

FIG. 3 is a front side elevational view thereof;

FIG. 4 is a side elevational view thereof;

FIG. 5 is a back side elevational view thereof;

FIG. 6 is another side elevational view thereof;

FIG. 7 is a top plan view thereof;

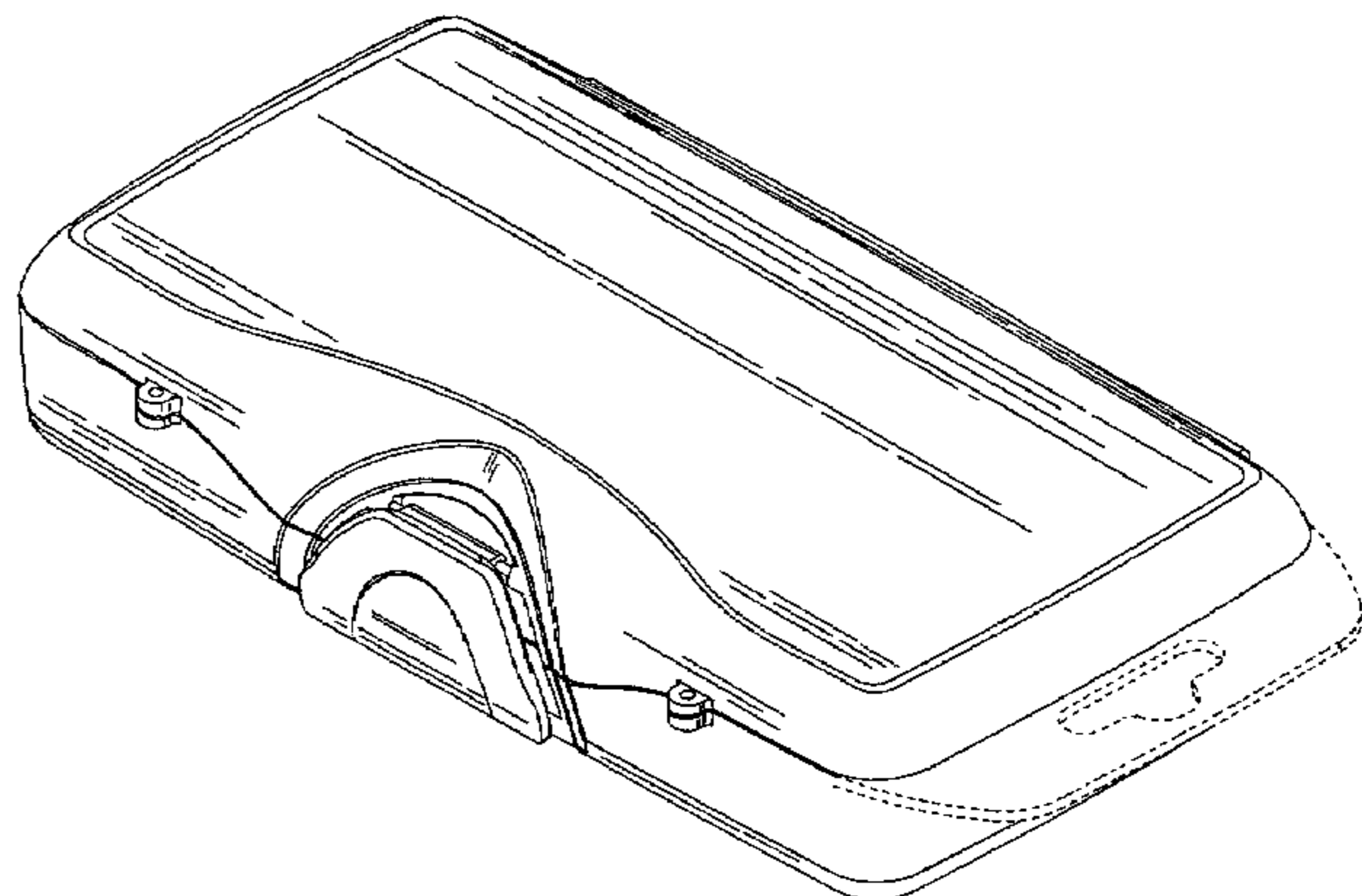
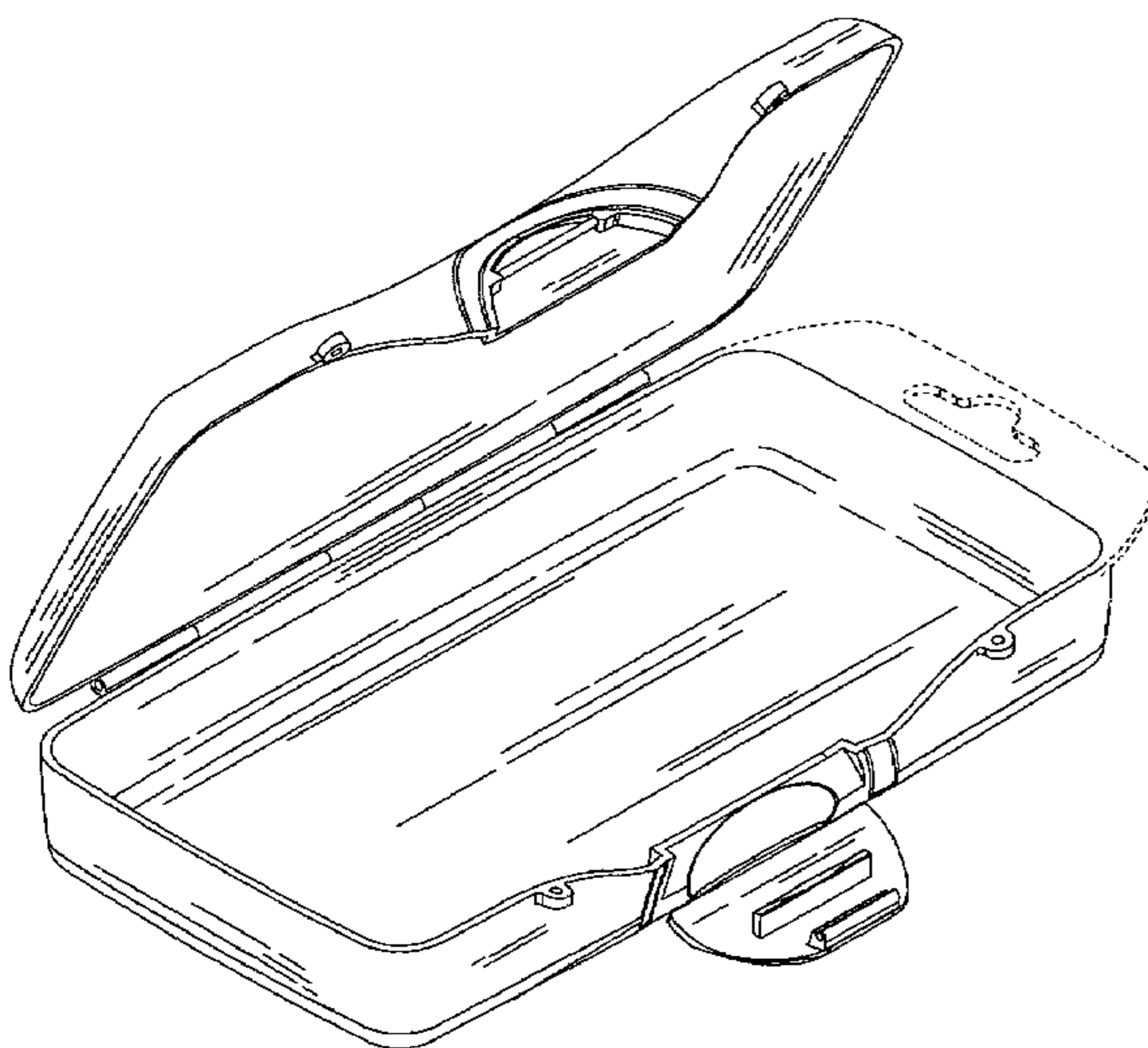
FIG. 8 is a bottom plan view thereof;

FIG. 9 is another perspective view of the tool case in a closed position; and,

FIG. 10 is another perspective view of the tool case in an opened position.

The broken lines in the drawings illustrate aspects of the design that form no part of the claim.

**1 Claim, 7 Drawing Sheets**



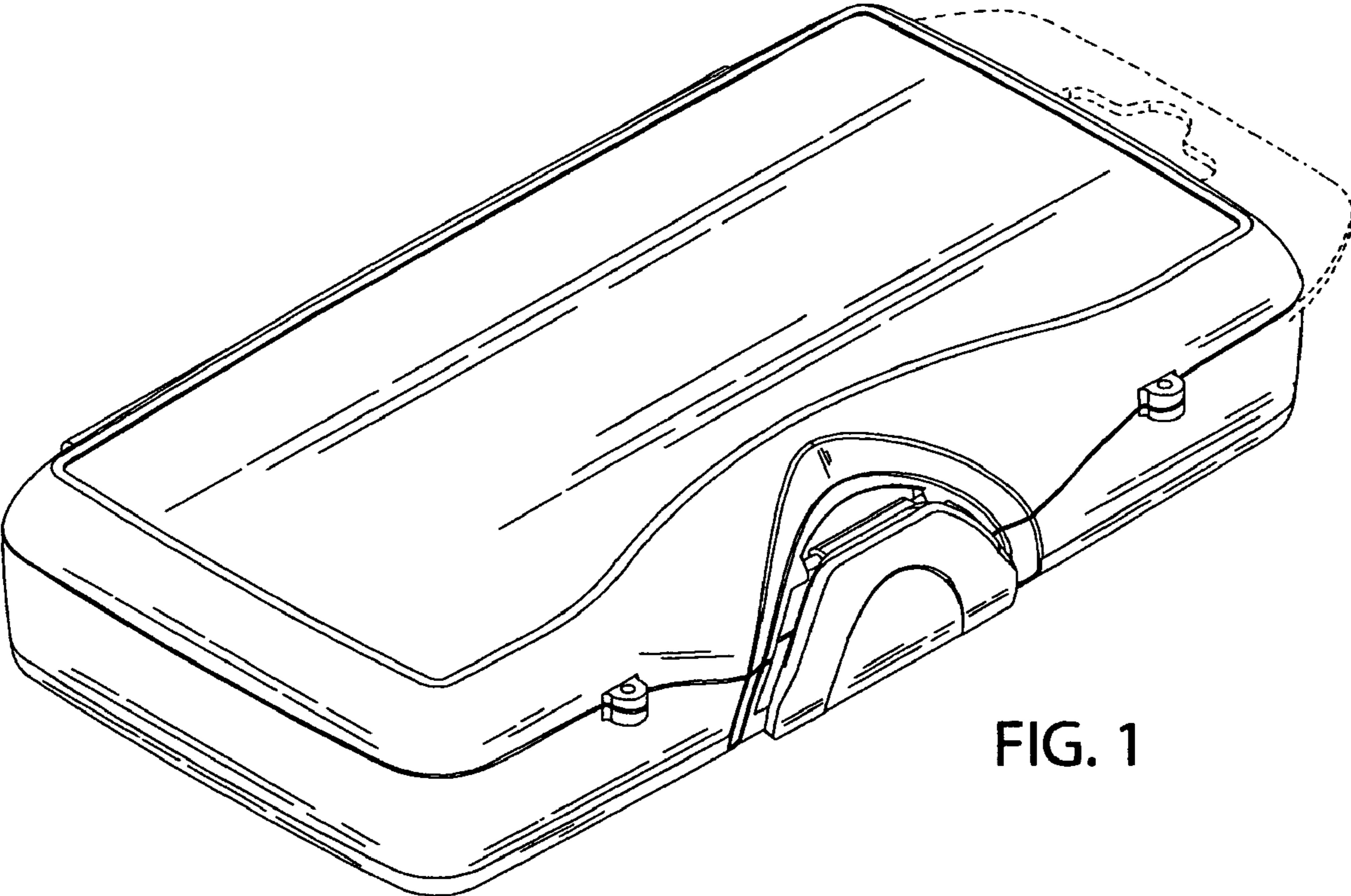


FIG. 1

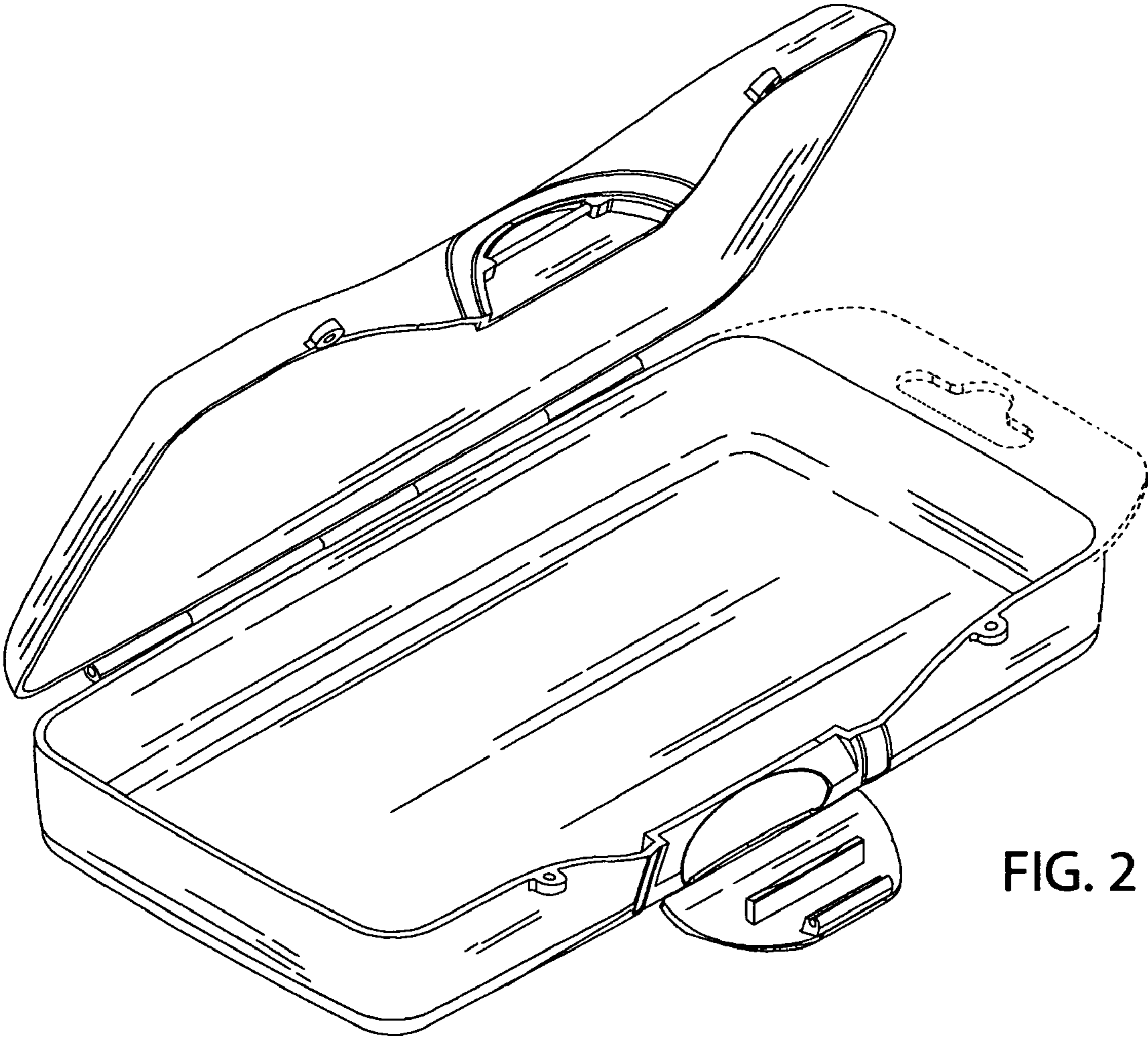


FIG. 2



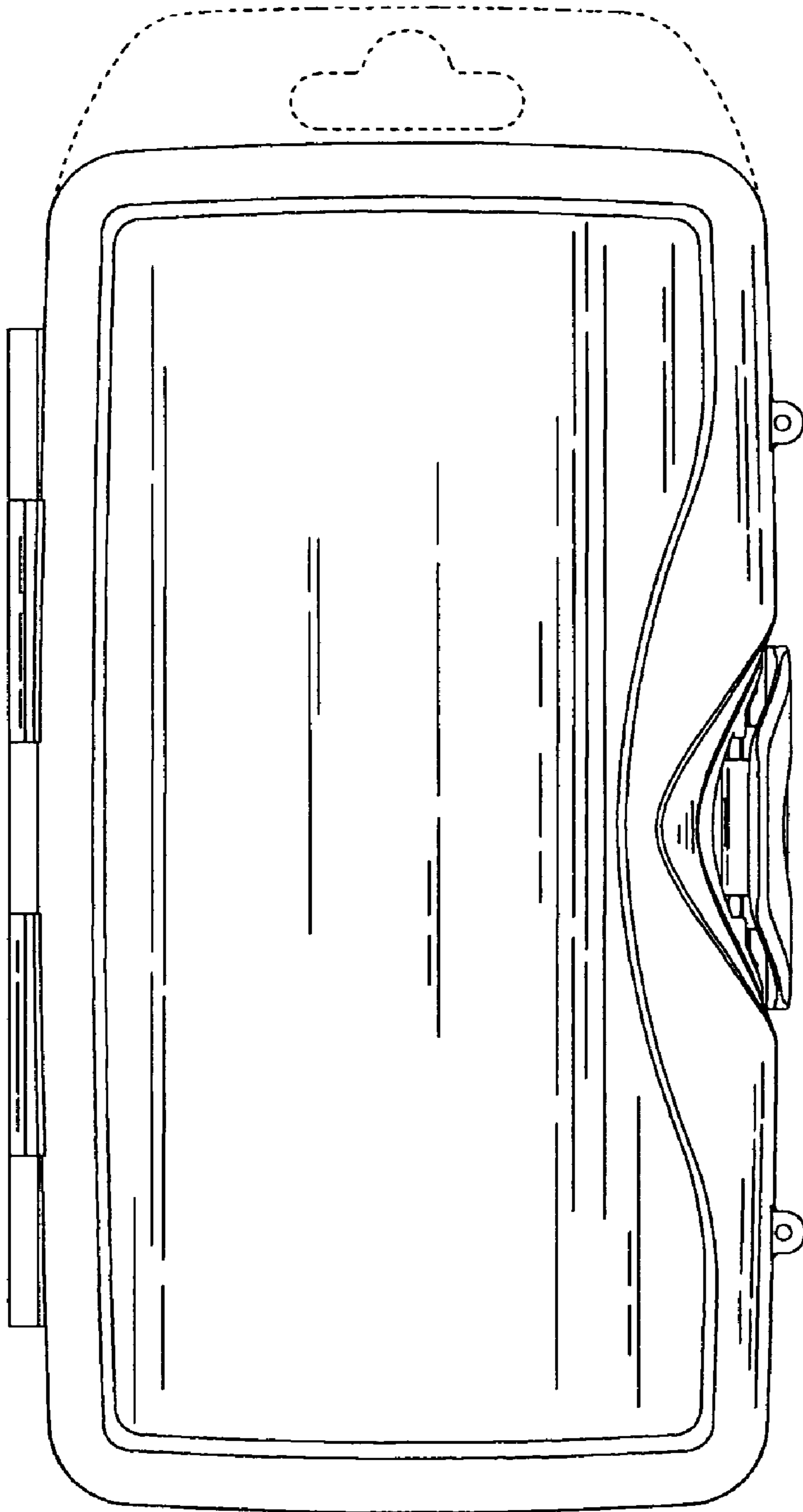


FIG. 3

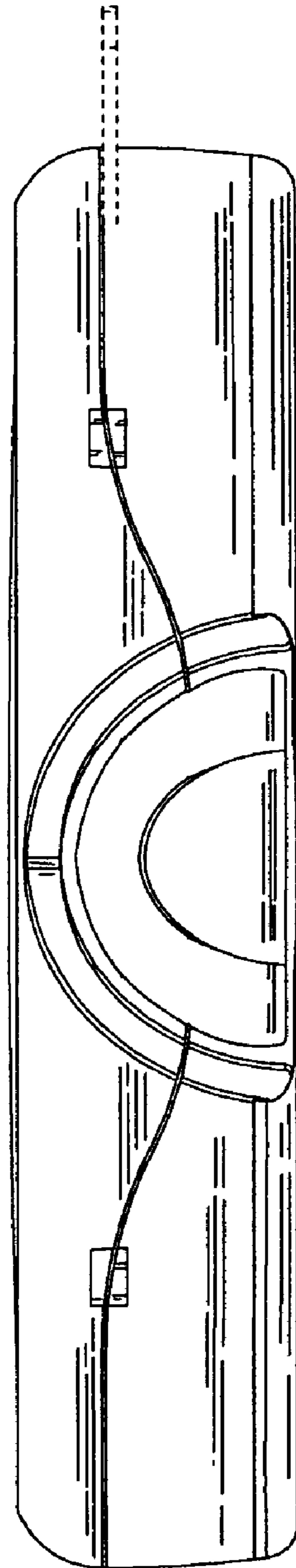


FIG. 4

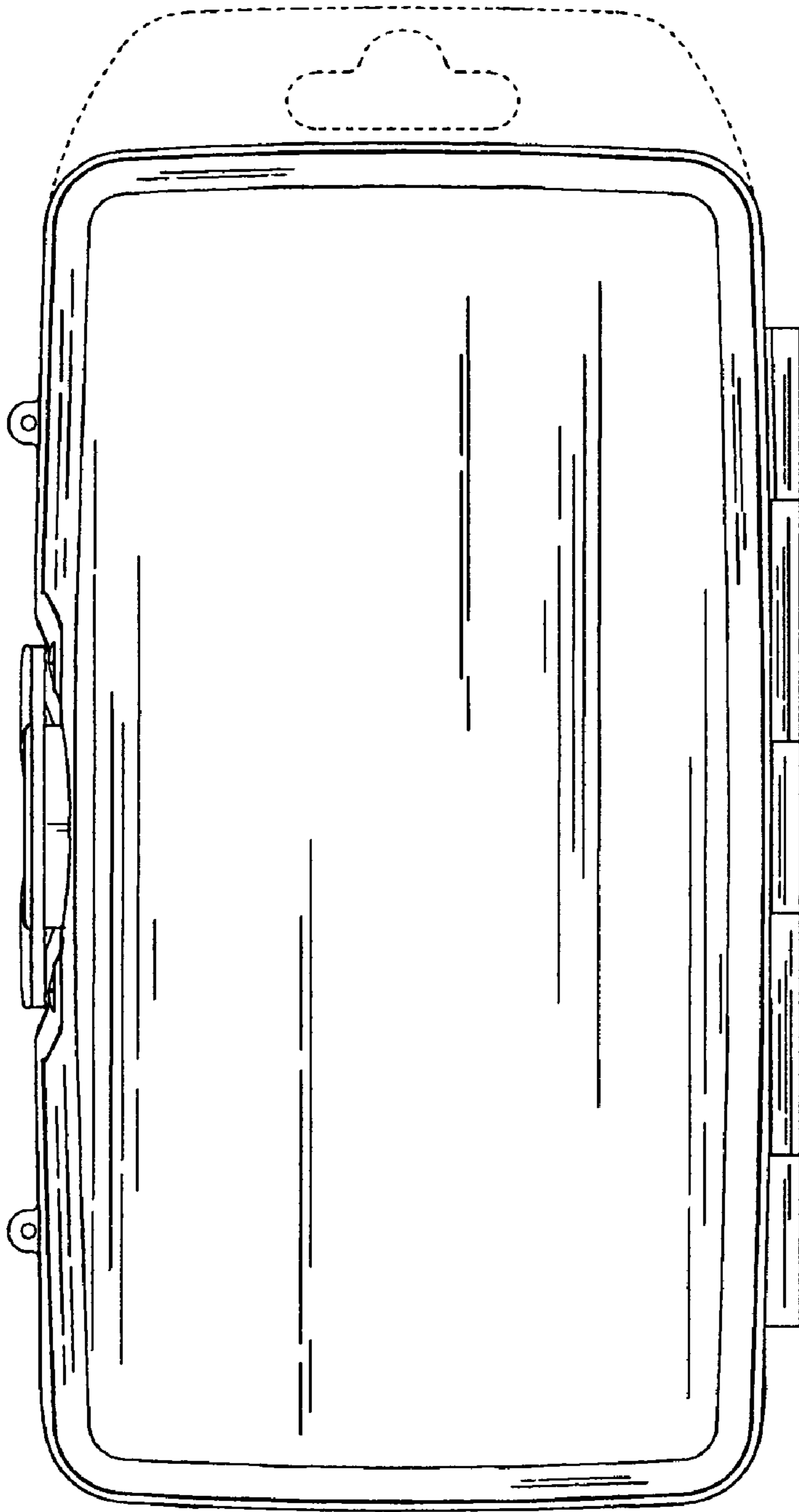


FIG. 5

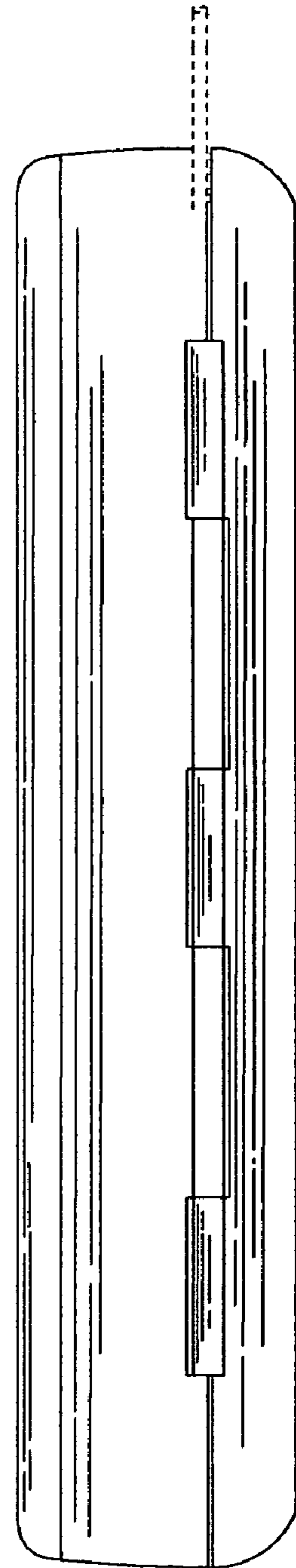


FIG. 6

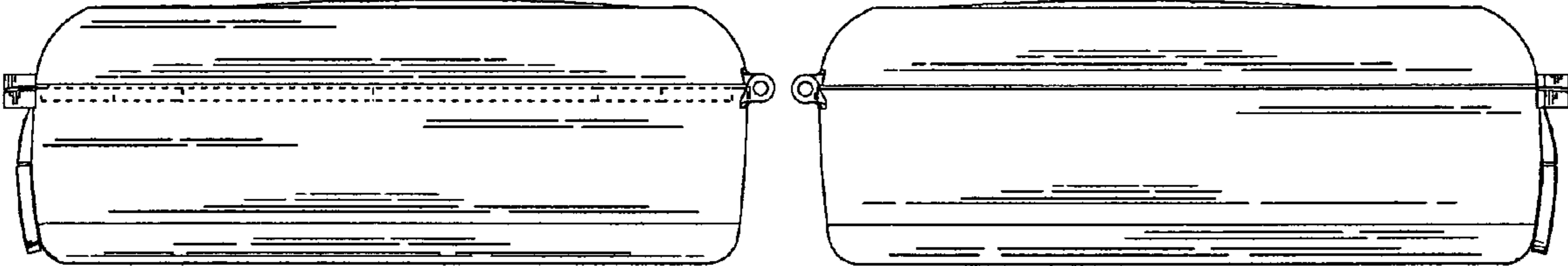


FIG. 7

FIG. 8

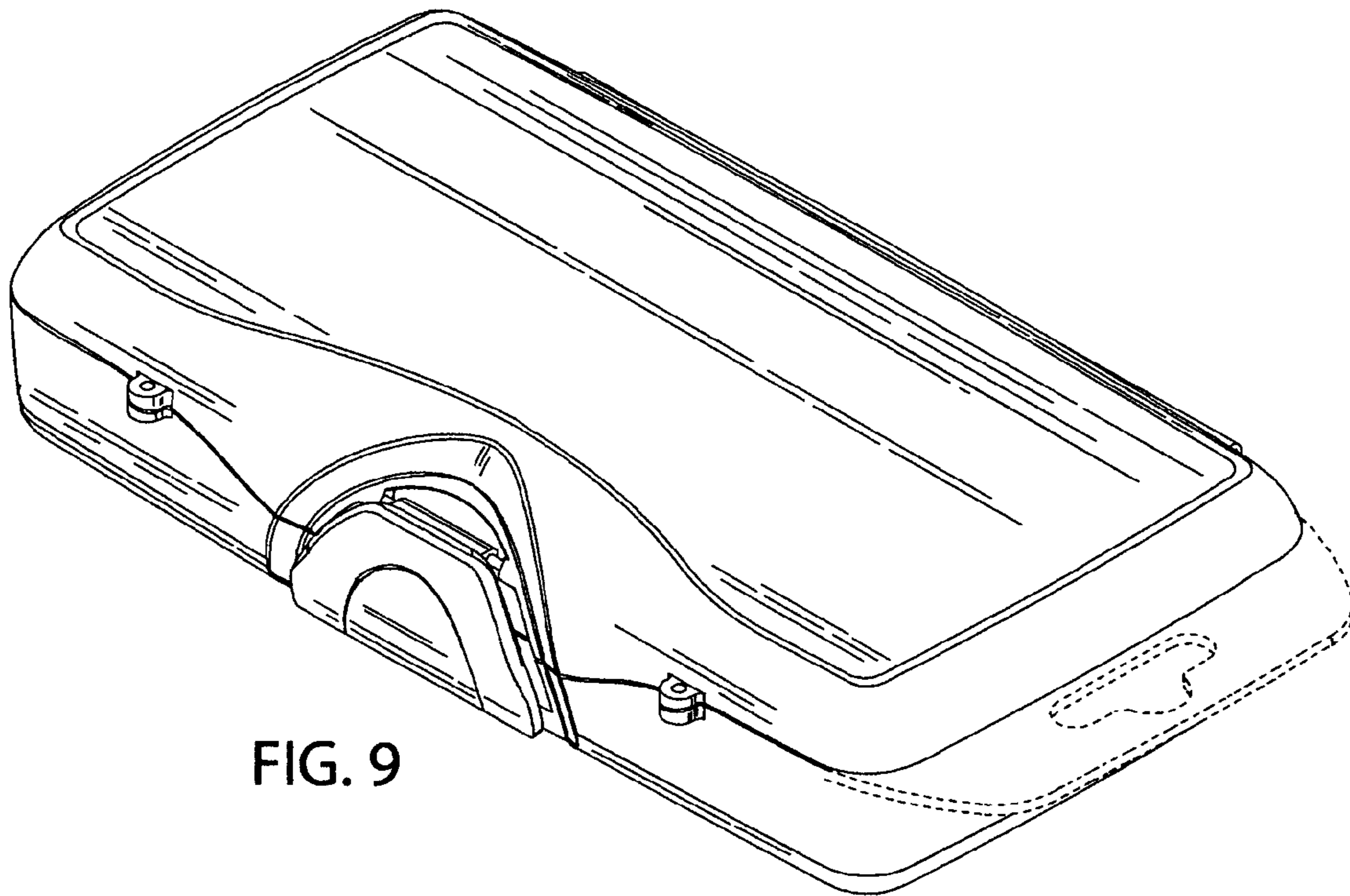


FIG. 9

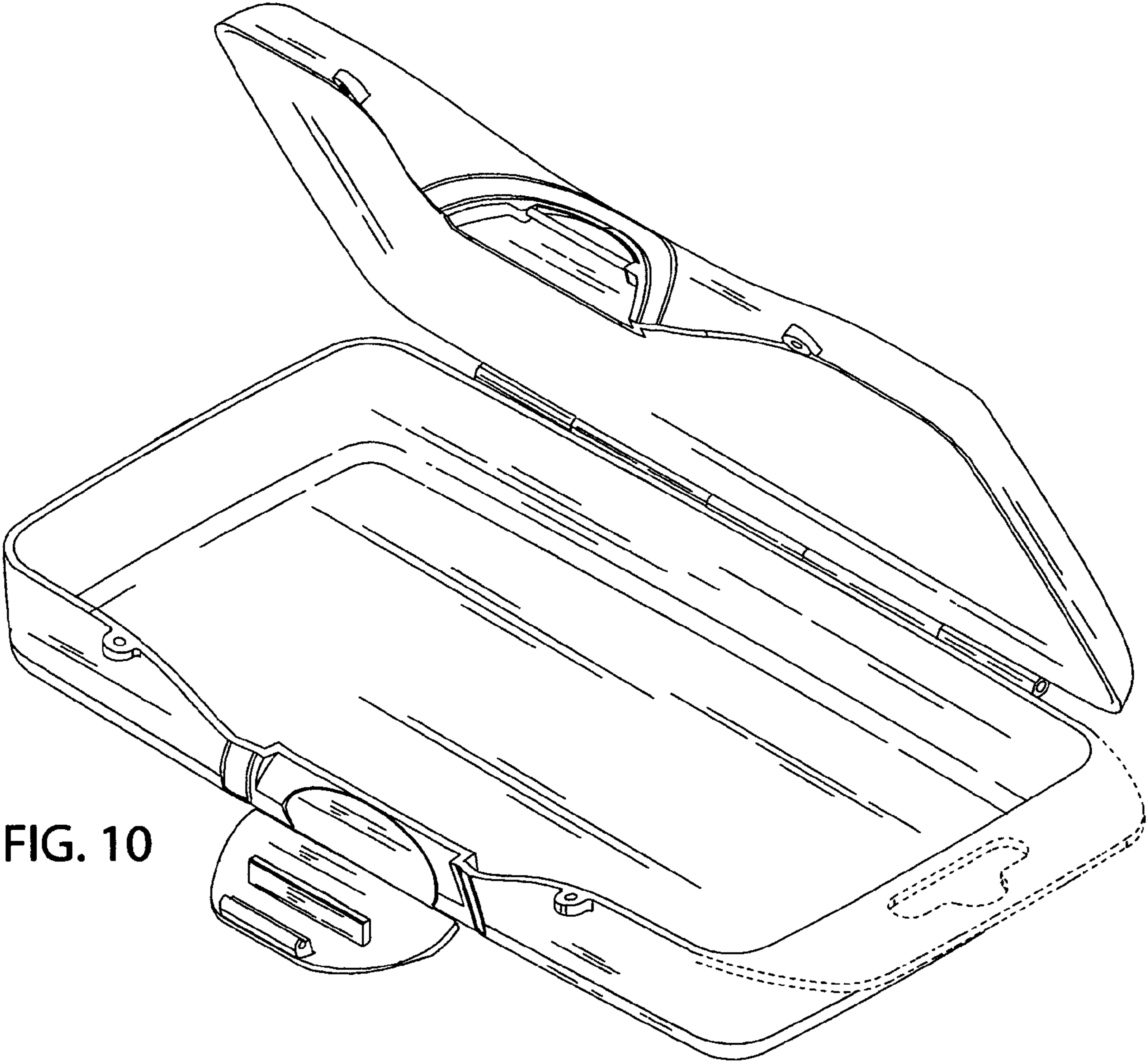


FIG. 10