



US00D613944S

(12) **United States Design Patent**
Molina

(10) **Patent No.:** **US D613,944 S**

(45) **Date of Patent:** **** Apr. 20, 2010**

(54) **TOOL CASE**

D496,585 S * 9/2004 McBride et al. D9/423
D524,541 S * 7/2006 Cauley D3/295

(75) Inventor: **Francisco Molina**, Davie, FL (US)

OTHER PUBLICATIONS

(73) Assignee: **IBT Holdings, Inc**, Deerfield Beach, FL (US)

Husky Torx Set Combo. Downloaded Dec. 9, 2009 at <http://www.golfmkv.com/forums/showthread.php?t=81945>.*

(**) Term: **14 Years**

* cited by examiner

(21) Appl. No.: **29/315,514**

Primary Examiner—Philip S Hyder
Assistant Examiner—Roselyne Cody

(22) Filed: **Jul. 2, 2009**

(74) *Attorney, Agent, or Firm*—Dan M. DeLaRosa

(51) **LOC (9) Cl.** **03-01**

(57) **CLAIM**

(52) **U.S. Cl.** **D3/294; D3/905; D9/415**

The ornamental design for a tool case, as shown and described.

(58) **Field of Classification Search** D3/201,
D3/273–274, 284–286, 293–295, 315, 905;
D9/415, 420, 423–424; 206/349, 372–374,
206/379; 220/4.21–4.23

DESCRIPTION

See application file for complete search history.

FIG. 1 is a front perspective view of the tool case of the present invention in a closed position showing my new design;

(56) **References Cited**

U.S. PATENT DOCUMENTS

- D165,219 S * 11/1951 Degner D21/392
- 3,154,192 A 10/1964 Cowley
- D364,563 S * 11/1995 Miller et al. D9/423
- 5,785,179 A * 7/1998 Buczwinski et al. 206/494
- 5,860,550 A * 1/1999 Miller et al. 220/4.23
- D406,057 S * 2/1999 Hager D9/420
- 5,893,542 A 4/1999 Hu
- D418,977 S 1/2000 Streich
- D434,561 S 12/2000 Vasudeva
- D448,931 S * 10/2001 Gutierrez et al. D3/274
- D458,127 S * 6/2002 de Groote D9/423
- D466,807 S * 12/2002 Buck et al. D9/425
- D468,531 S 1/2003 Hsu
- D474,020 S * 5/2003 Wang et al. D3/274
- D479,401 S * 9/2003 Claypool D3/294
- D484,305 S * 12/2003 Eldon et al. D3/205

FIG. 2 is a perspective view of the tool case in an opened position;

FIG. 3 is a front side elevational view thereof;

FIG. 4 is a side elevational view thereof;

FIG. 5 is a back side elevational view thereof;

FIG. 6 is another side elevational view thereof;

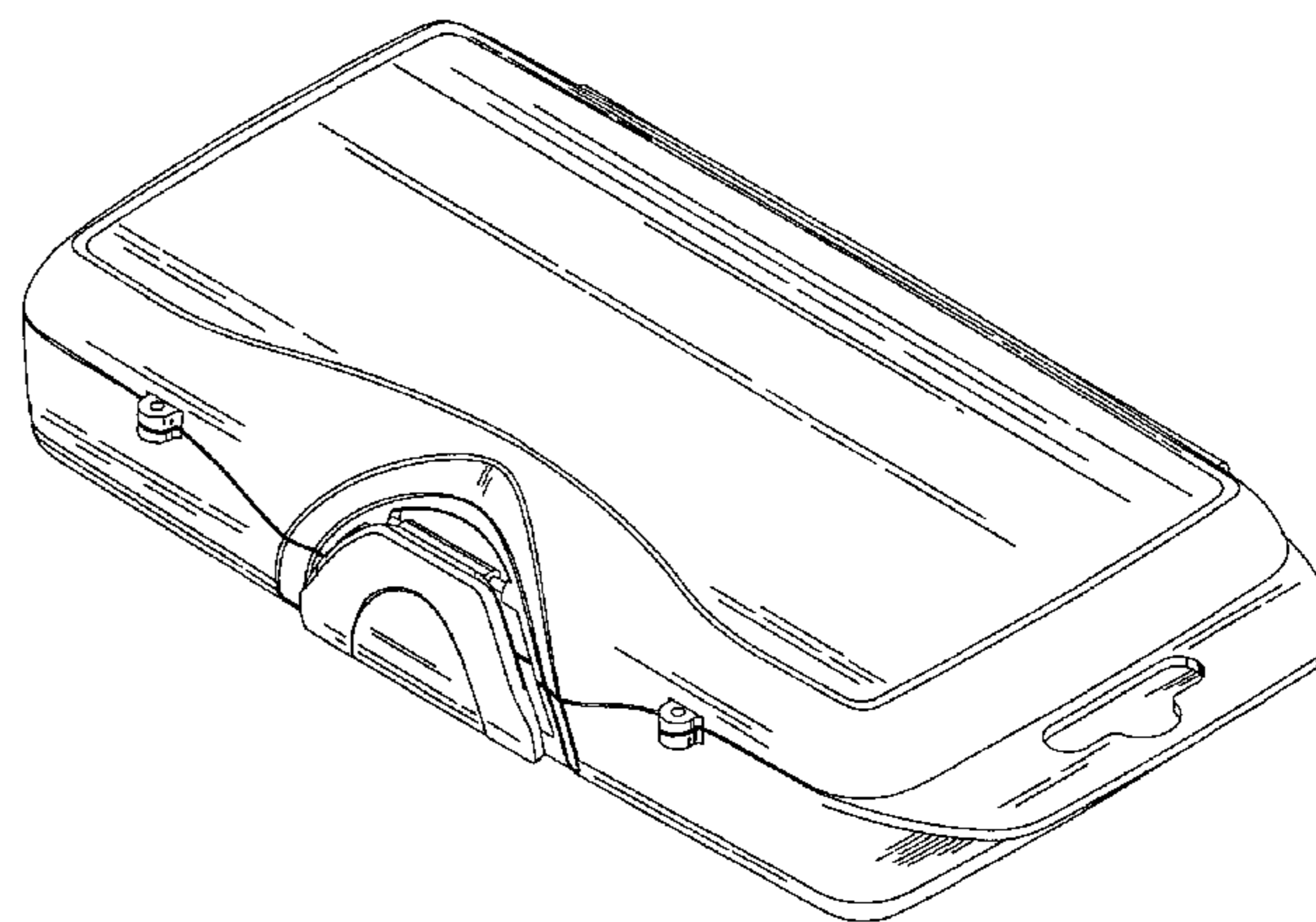
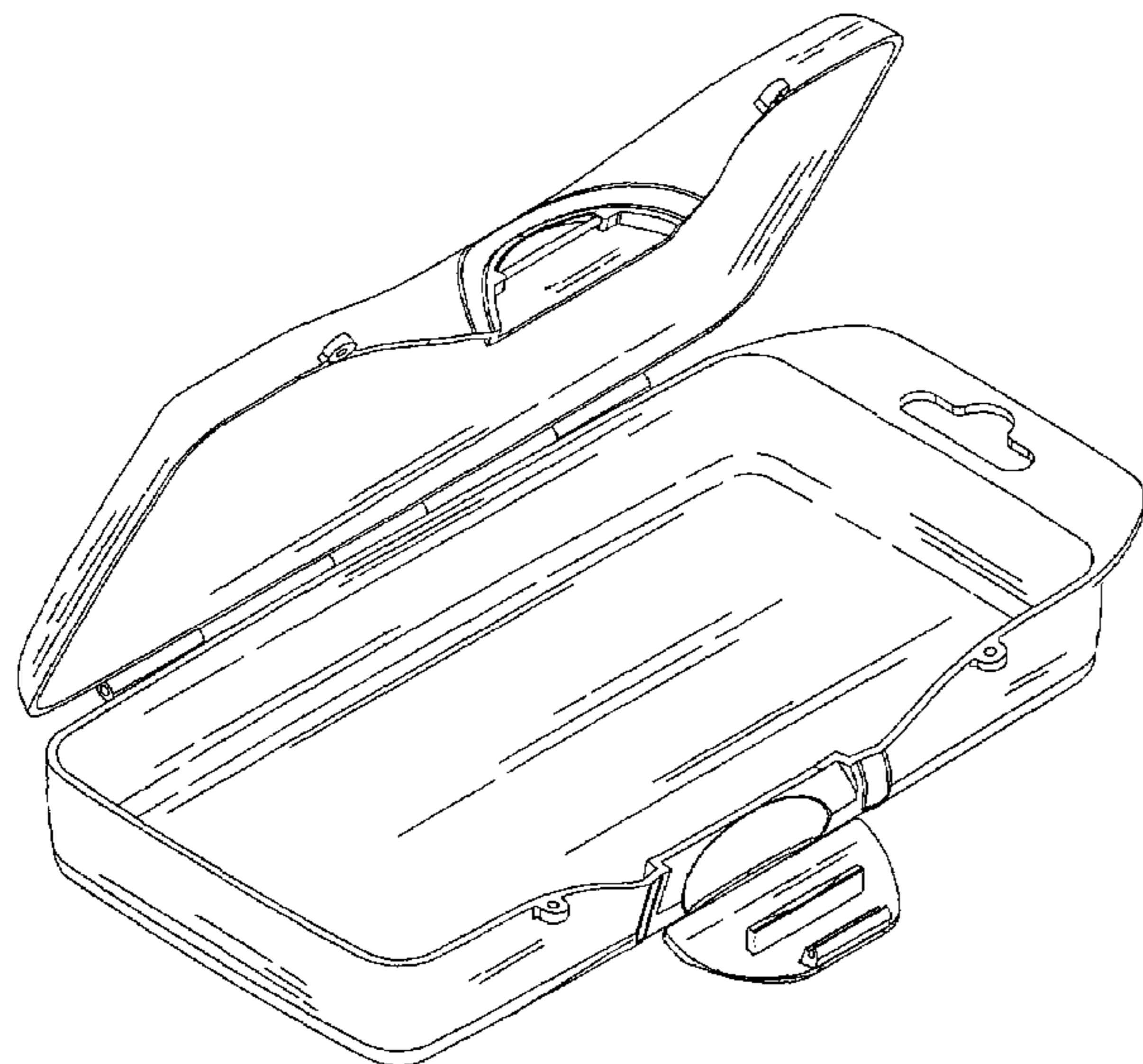
FIG. 7 is a top plan view thereof;

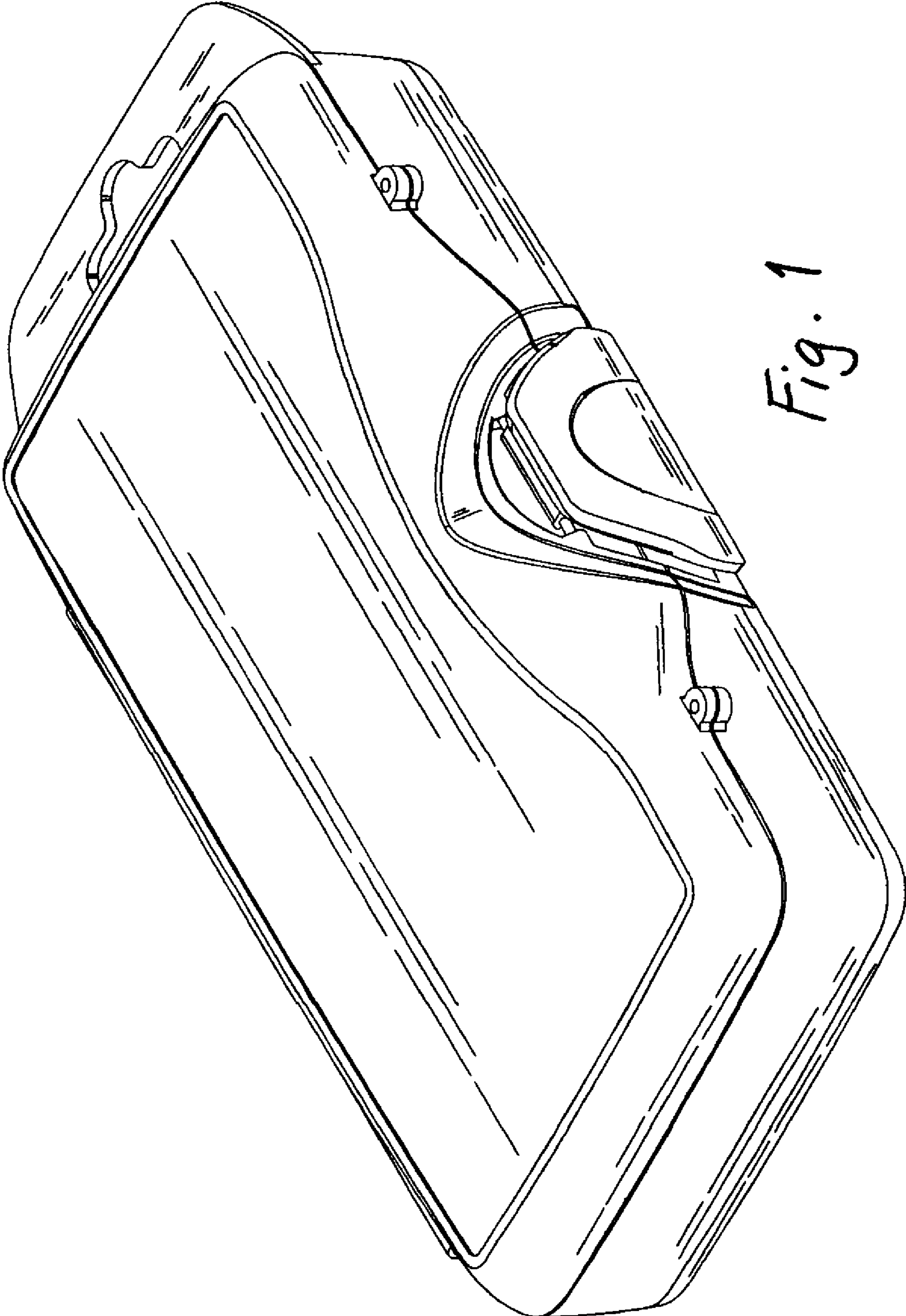
FIG. 8 is a bottom plan view thereof;

FIG. 9 is another perspective view of the tool case in a closed position; and,

FIG. 10 is another perspective view of the tool case in an opened position.

1 Claim, 7 Drawing Sheets





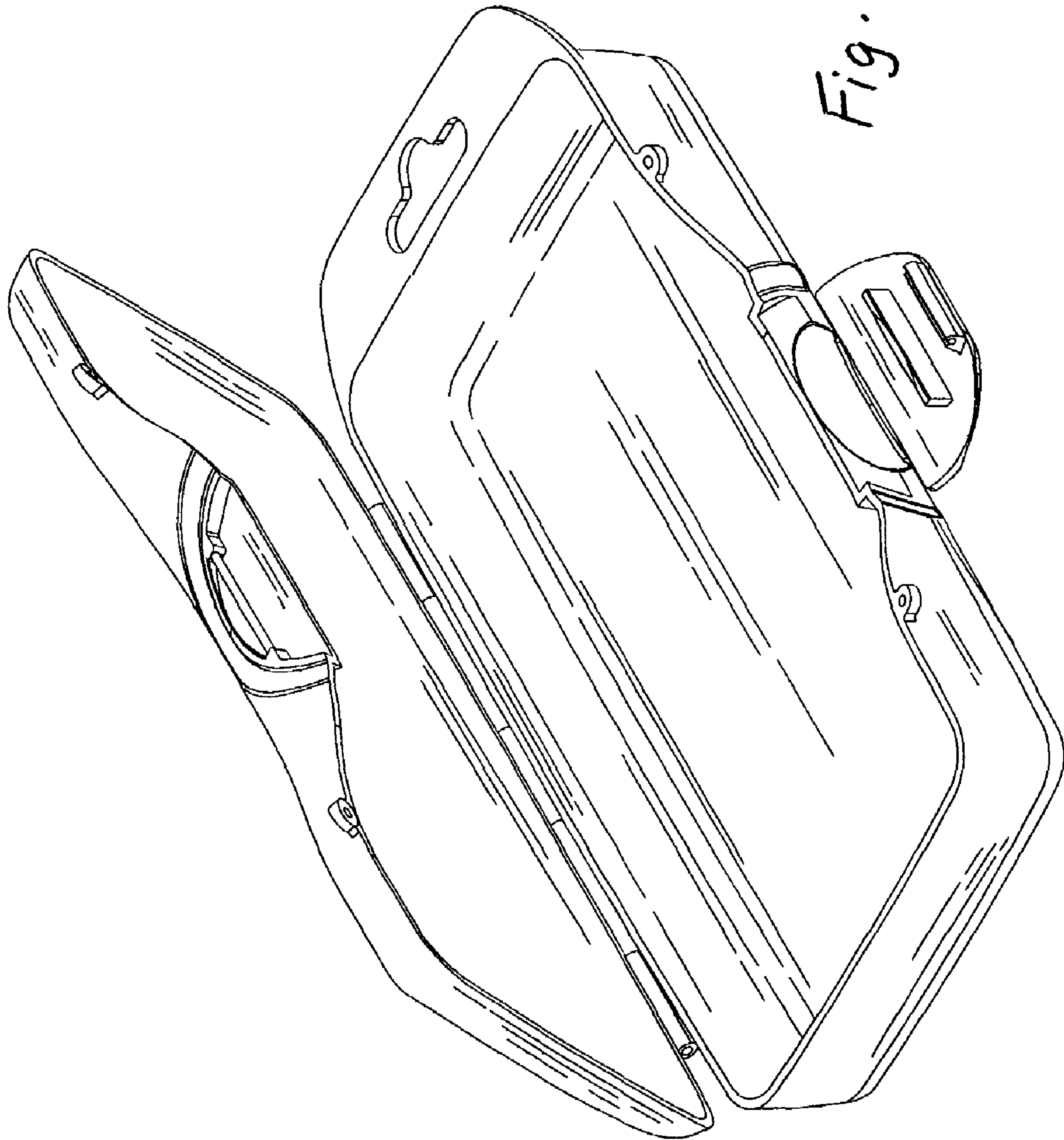


Fig. 2

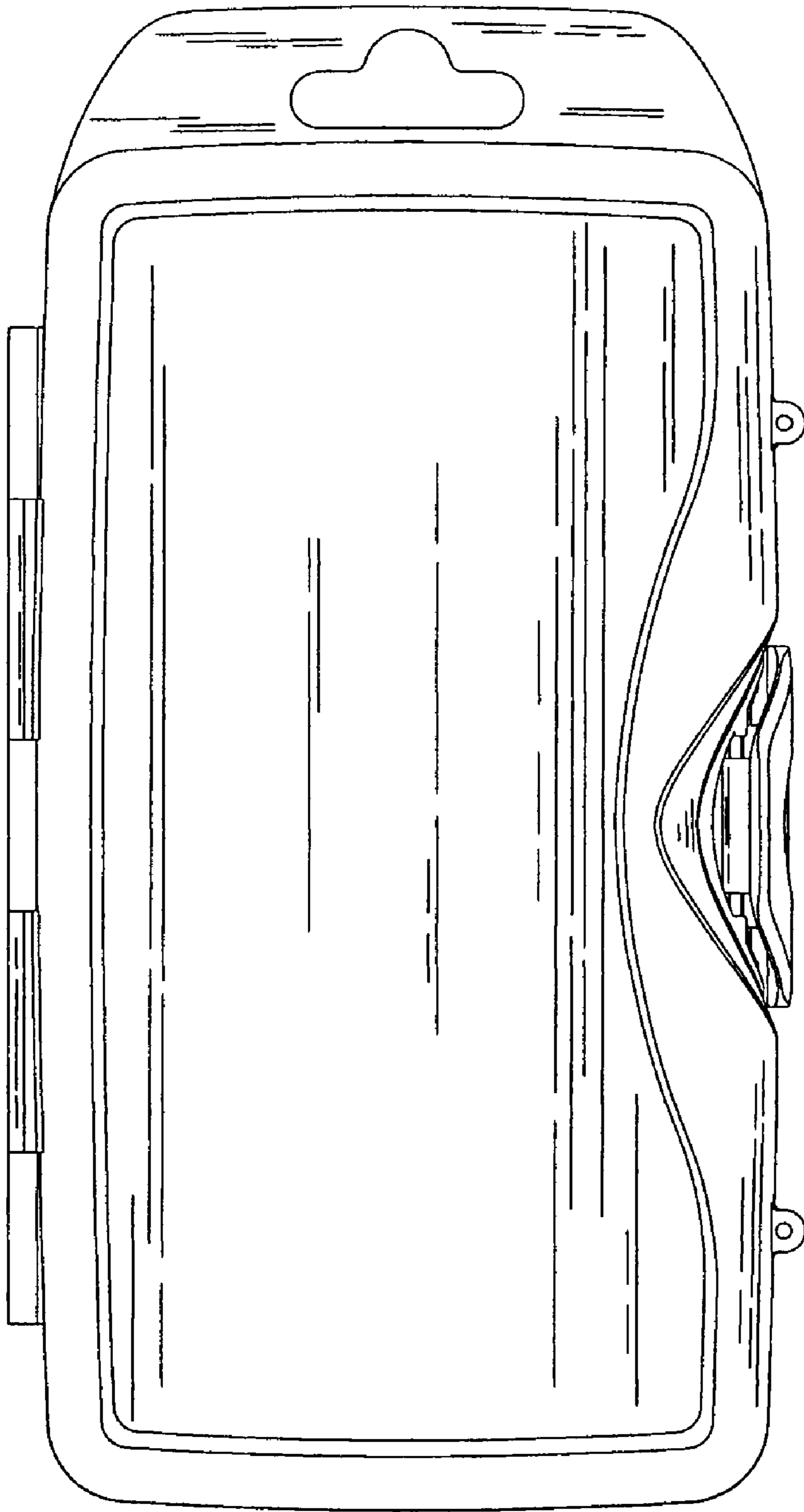


Fig. 3

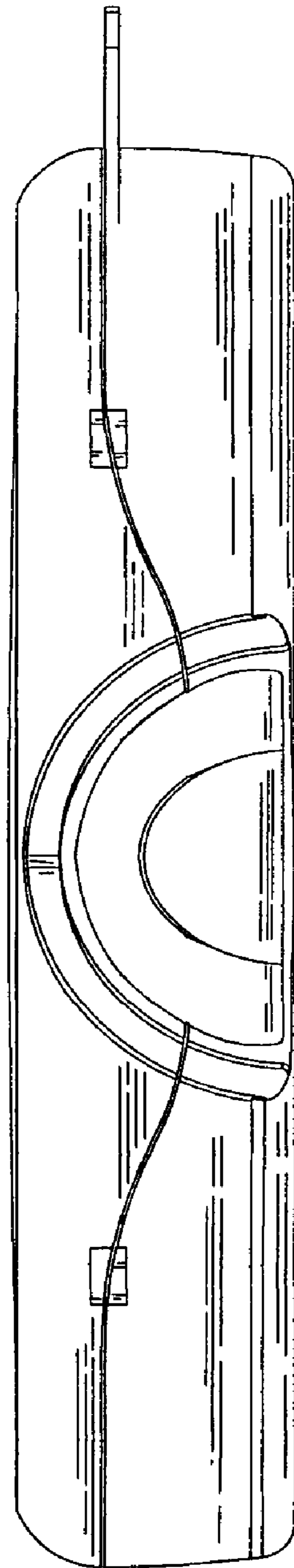


Fig. 4

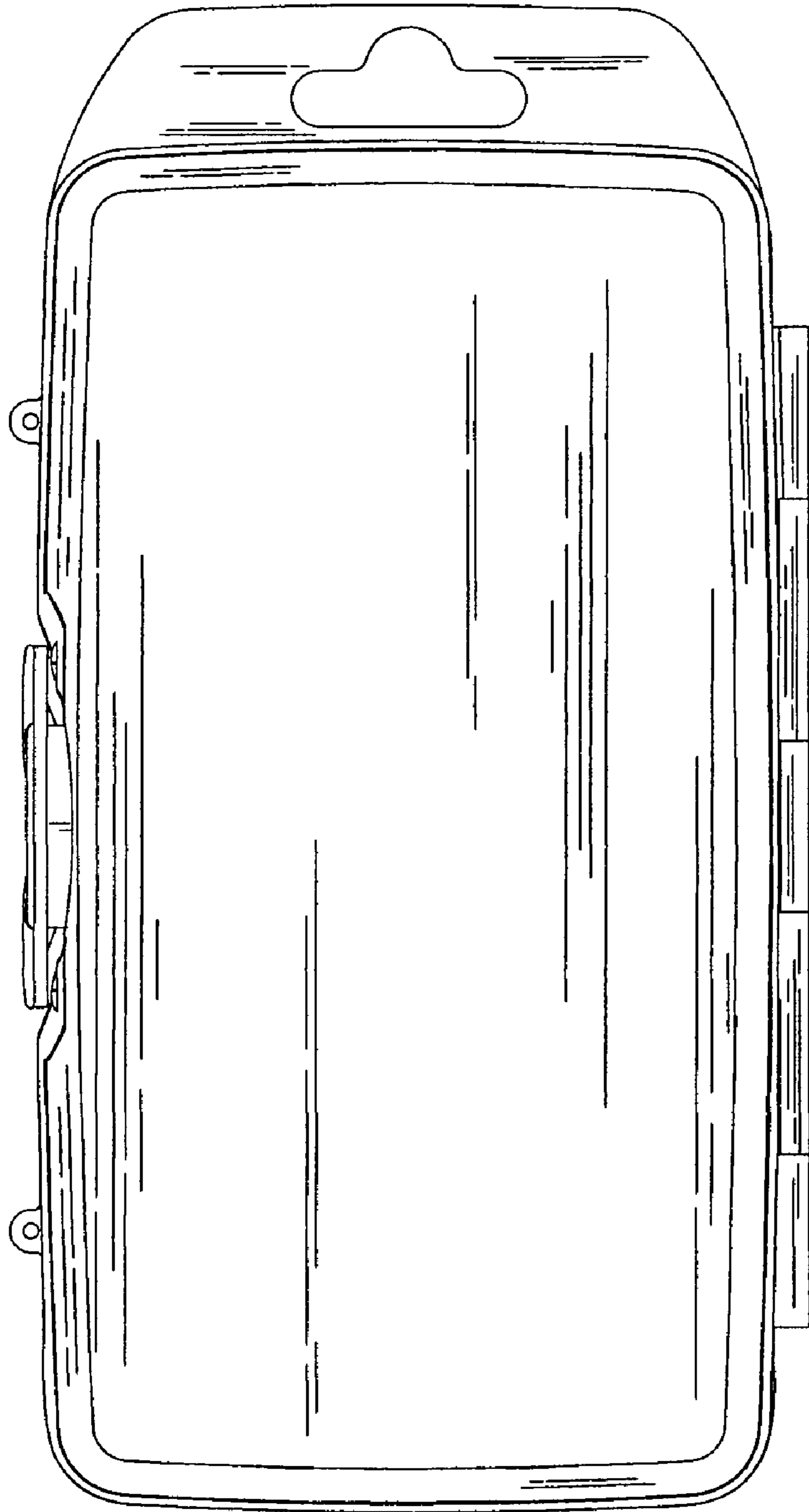


Fig. 5

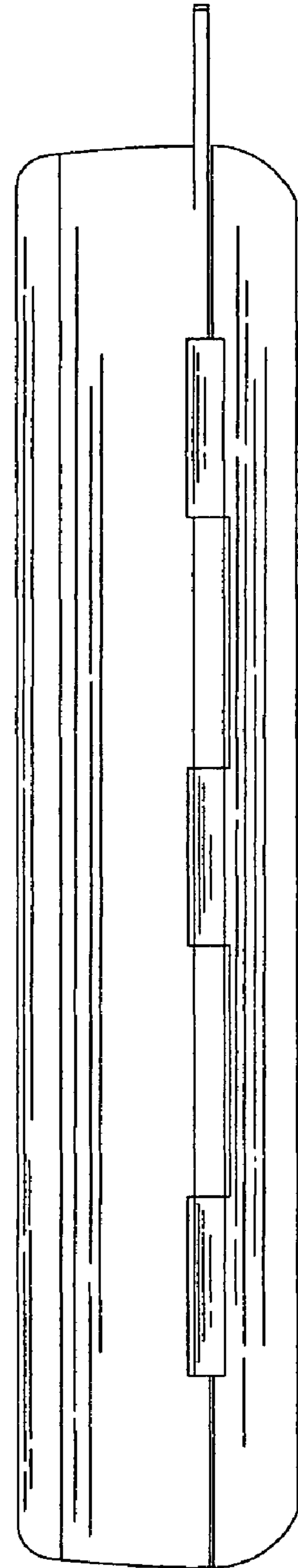


Fig. 6

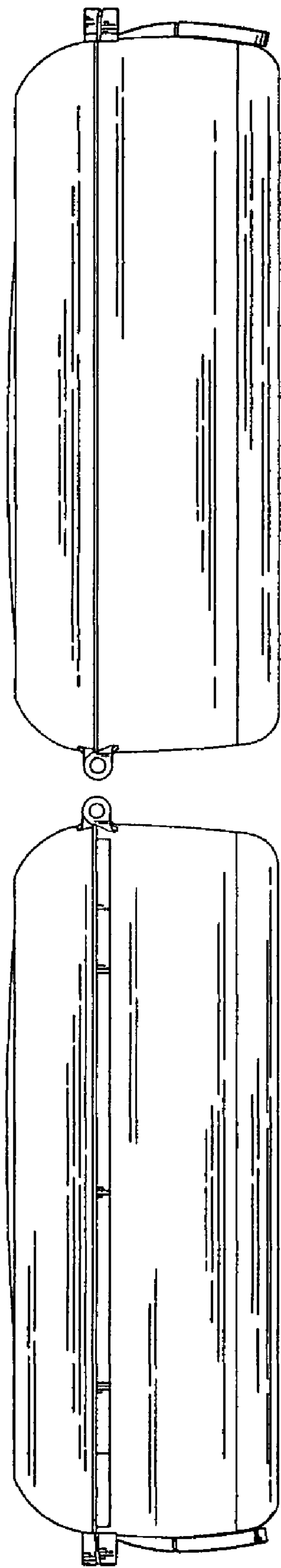


Fig. 8

Fig. 7

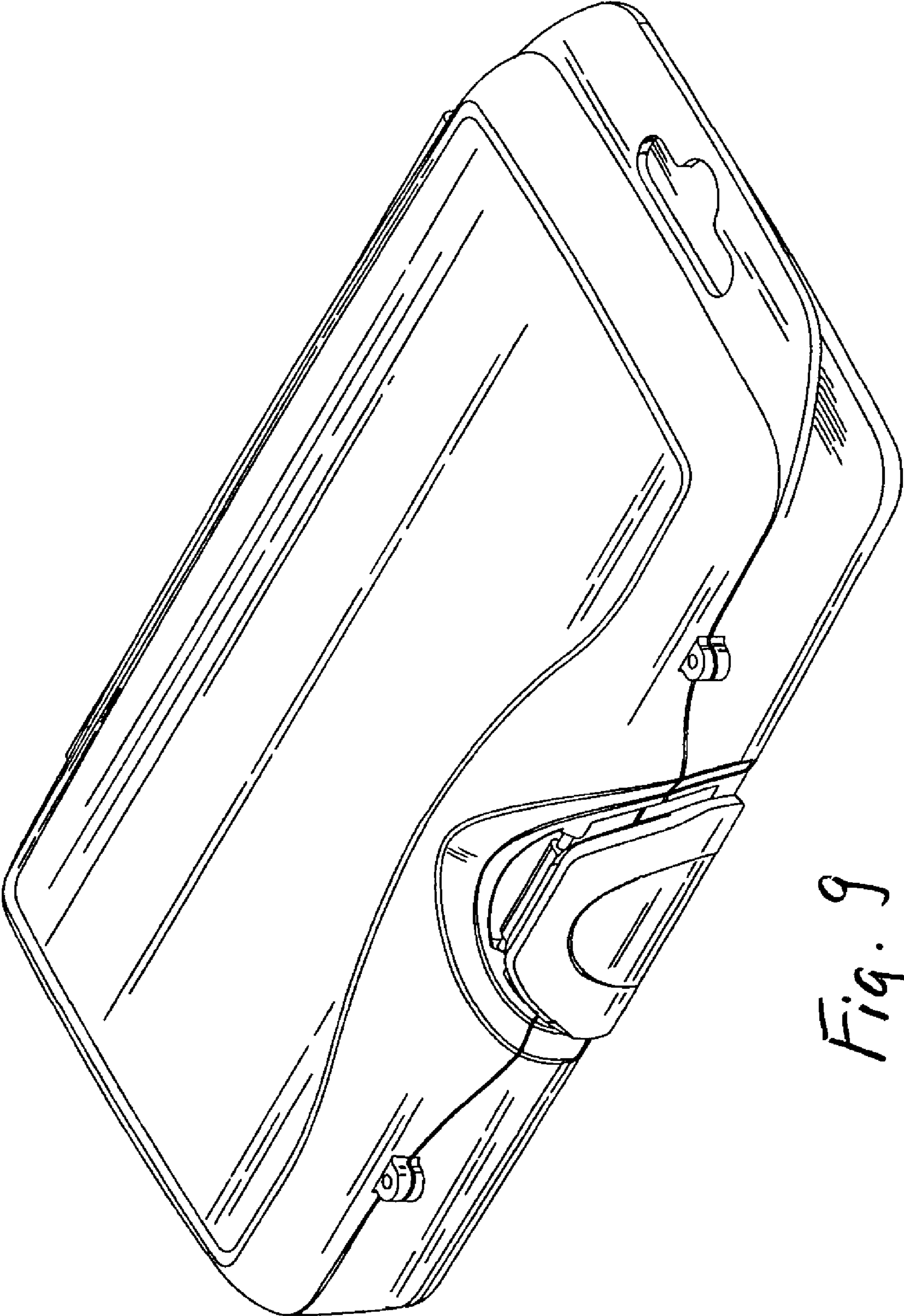


Fig. 9

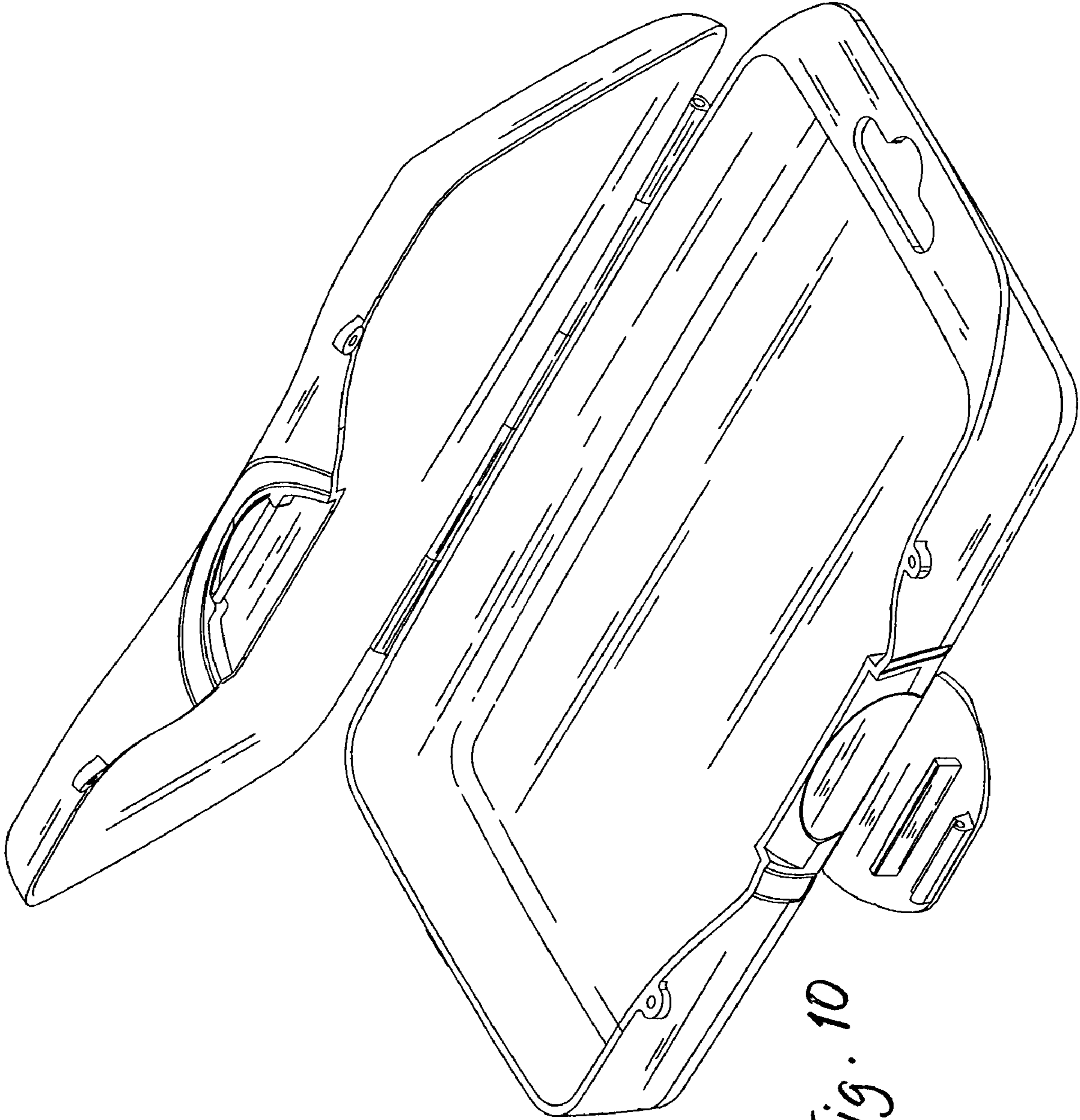


Fig. 10