



US00D613943S

(12) **United States Design Patent**
Fu Chue

(10) **Patent No.:** **US D613,943 S**

(45) **Date of Patent:** **** Apr. 20, 2010**

(54) **ORGAN MODEL CASE WITH DIGITAL MEDIA STORAGE TRAY**

(75) Inventor: **Lap Fu Chue**, New Territories (HK)

(73) Assignee: **Kenki (H.K.) Ltd.**, Kowloon (HK)

(**) Term: **14 Years**

(21) Appl. No.: **29/341,764**

(22) Filed: **Aug. 12, 2009**

(51) **LOC (9) Cl.** **03-01**

(52) **U.S. Cl.** **D3/274; D3/296; D3/203.1**

(58) **Field of Classification Search** D3/203.1,
D3/203.5–203.8, 205–206, 273–274, 283–284,
D3/294–297, 302; D9/414, 423, 430, 432;
206/6.1, 232, 301, 828; 132/287

See application file for complete search history.

(56) **References Cited**

U.S. PATENT DOCUMENTS

714,988	A *	12/1902	Wolf	206/6.1
D90,723	S *	9/1933	Lewis	D3/274
D276,922	S *	12/1984	Evenson	D19/76
4,773,530	A *	9/1988	Holtzman et al.	206/232
4,932,521	A *	6/1990	Au	206/232
D317,528	S *	6/1991	Harvey	D3/294
D387,982	S *	12/1997	Kaplan	D9/423
5,845,658	A *	12/1998	Sussman	132/287
5,873,457	A *	2/1999	Madweb	206/301
D406,233	S *	3/1999	Kaplan	D9/423
D408,145	S *	4/1999	Au	D3/294
6,889,696	B2 *	5/2005	Thorpe et al.	132/287

OTHER PUBLICATIONS

Kenki Heart Model. Snagged Dec. 3, 2009 at http://www.kenki.com.hk/product/pdf_folder/anatomical_models.pdf.*

* cited by examiner

Primary Examiner—Philip S Hyder

Assistant Examiner—Roselyne Cody

(74) *Attorney, Agent, or Firm*—McNeely & Hare LLP; Kevin J. McNeely

(57) **CLAIM**

The ornamental design for an organ model case with digital media storage tray, as shown and described.

DESCRIPTION

FIG. 1 is a perspective view of the organ model case with digital media storage tray showing the new design;

FIG. 2 is a top view of the organ model case with digital media storage tray.

FIG. 3 is a bottom view of the organ model case with digital media storage tray.

FIG. 4 is a left side view of the organ model case with digital media storage tray.

FIG. 5 is a right side view of the organ model case with digital media storage tray.

FIG. 6 is a rear view of the organ model case with digital media storage tray.

FIG. 7 is a front view of the organ model case with digital media storage tray.

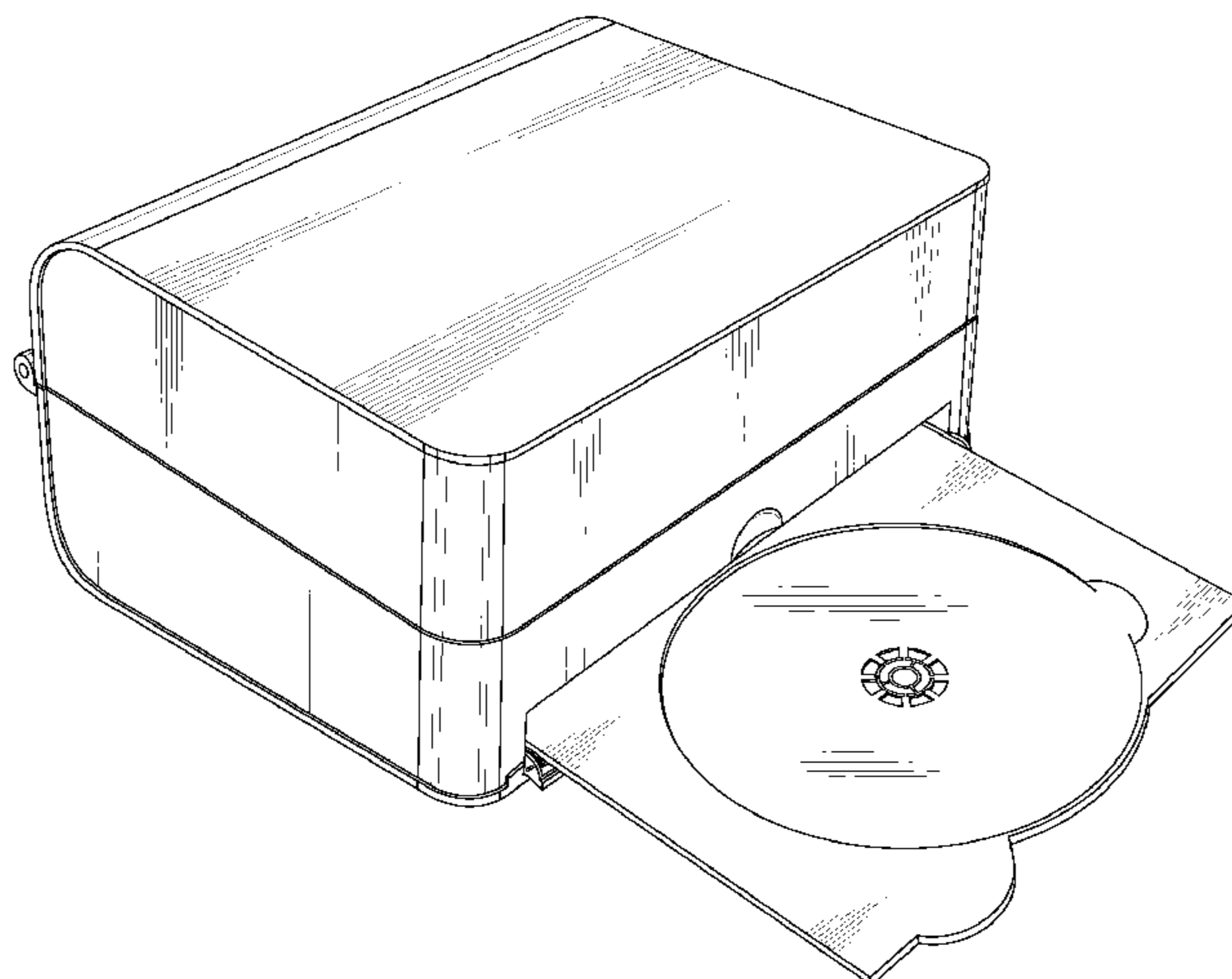
FIG. 8 is a perspective view of the organ model case with digital media storage tray, with the digital media storage tray extended to an open position; and,

FIG. 9 is a perspective view of the organ model case with digital media storage tray, with the case in an open position to display the organ model.

The ornamental design which is claimed is shown in solid lines in the drawings. The broken lines in the drawings are for illustrative purposes only and form no part of the claimed design.

The invention relates to a case for storing, transporting and displaying organ models.

1 Claim, 6 Drawing Sheets



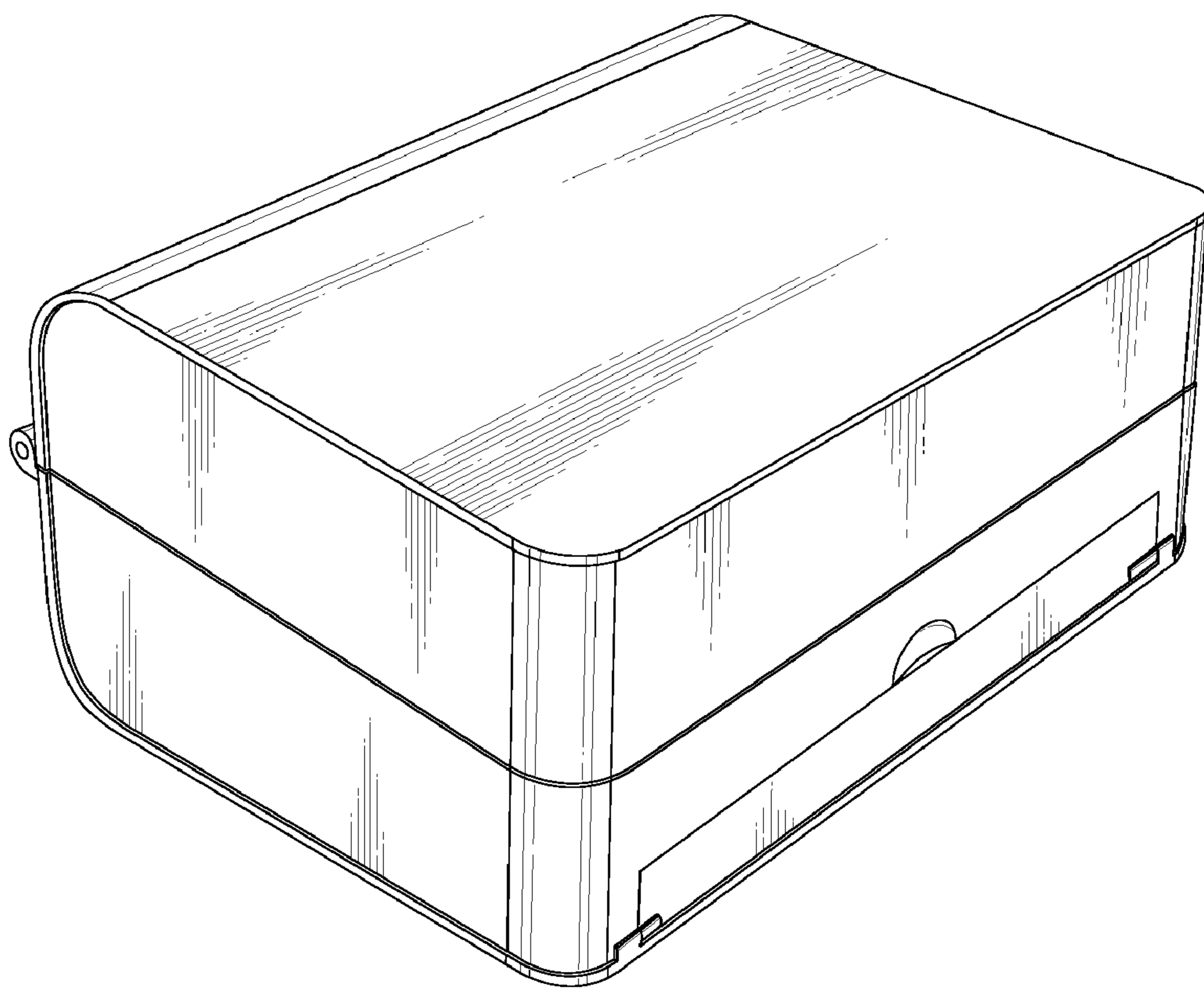


Fig. 1

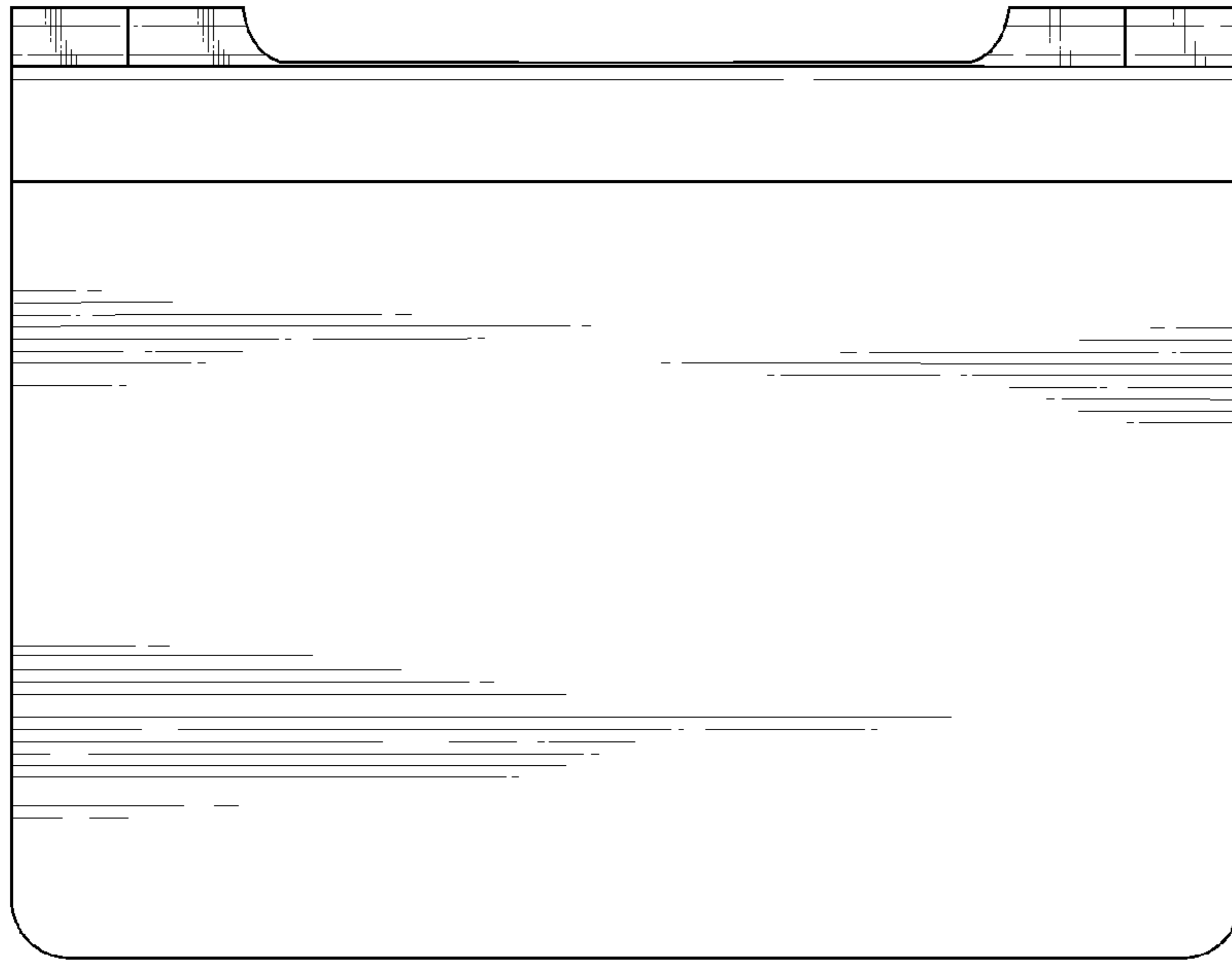


Fig. 2



Fig. 3

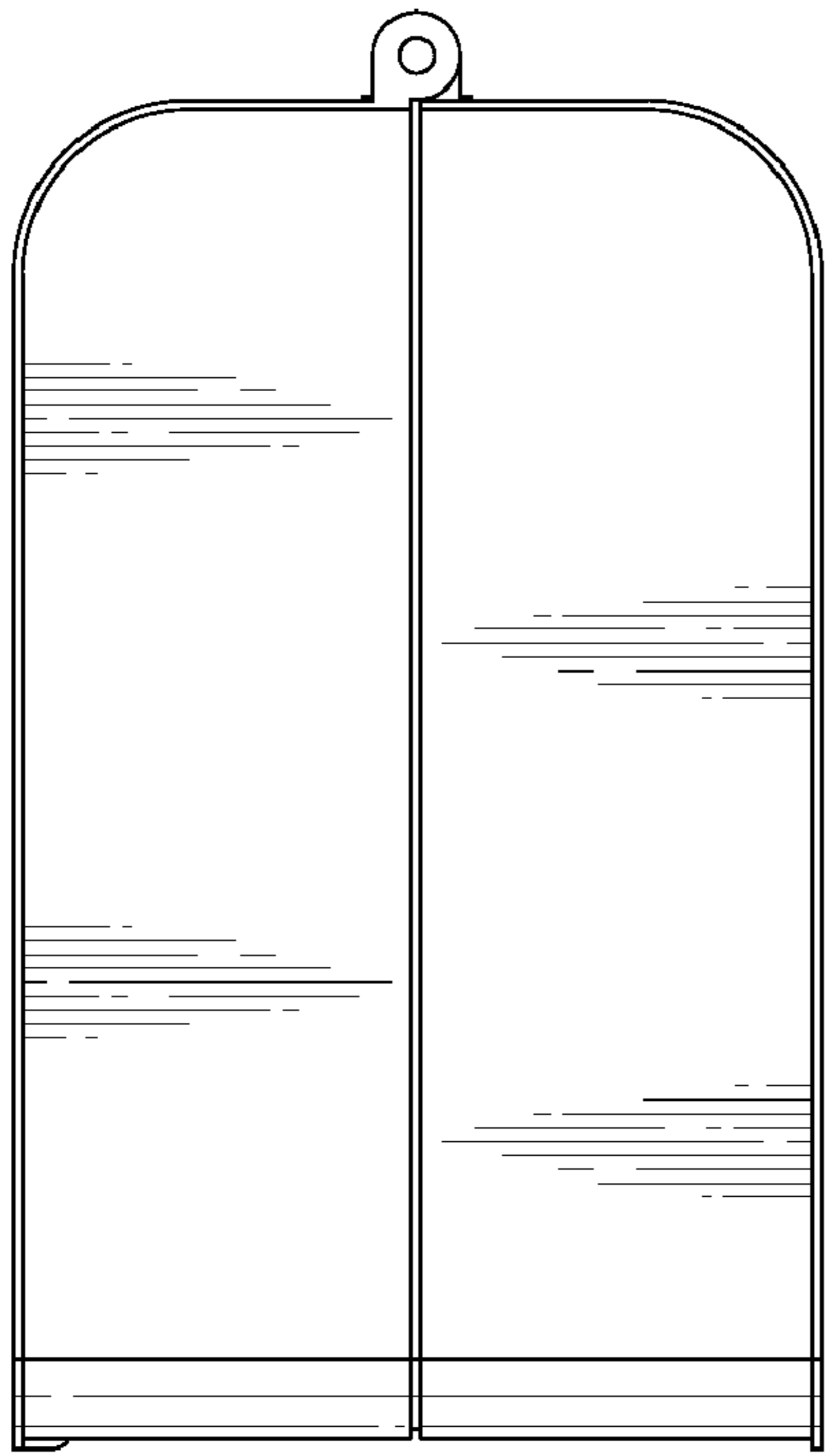


Fig. 4

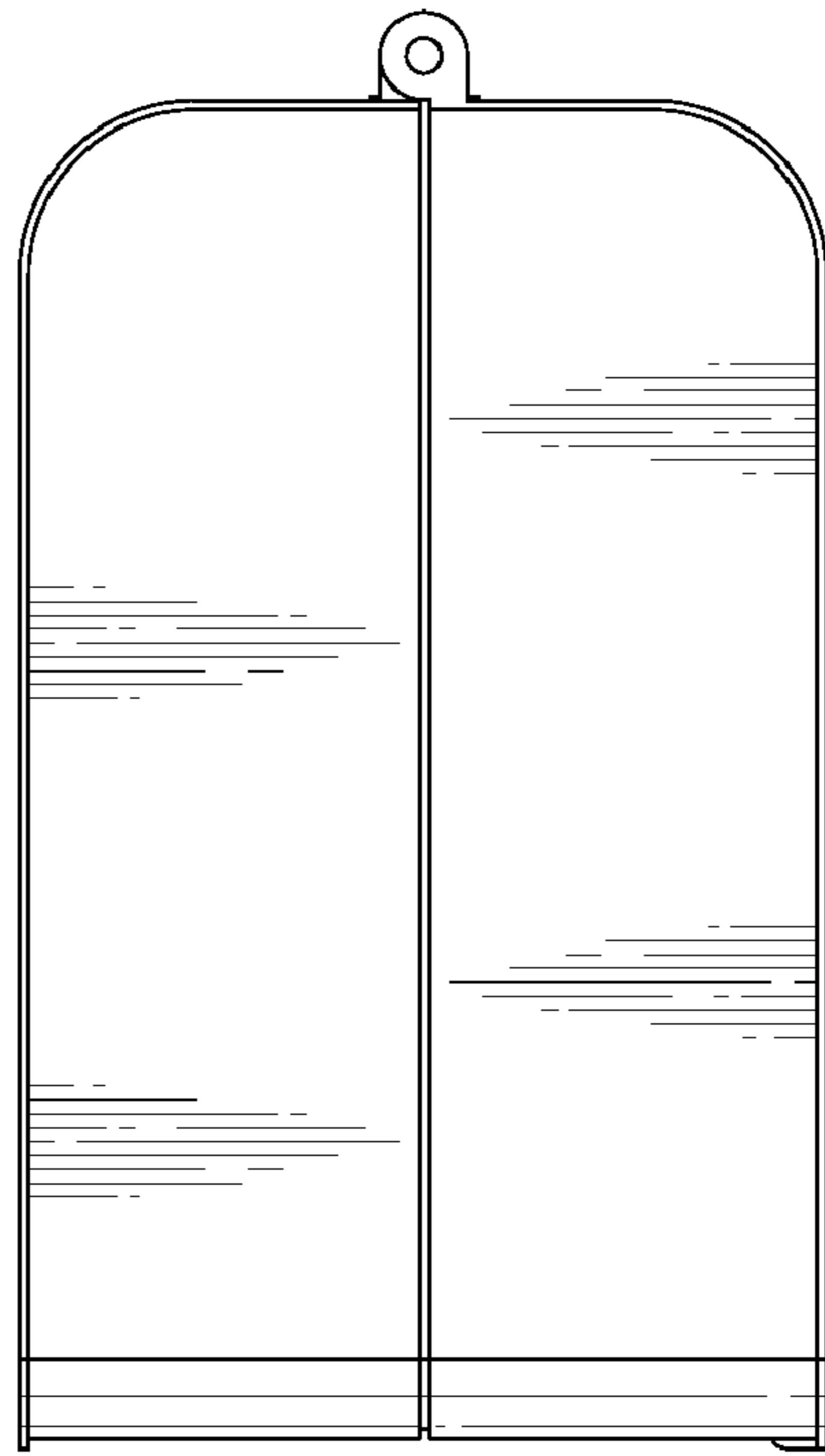


Fig. 5

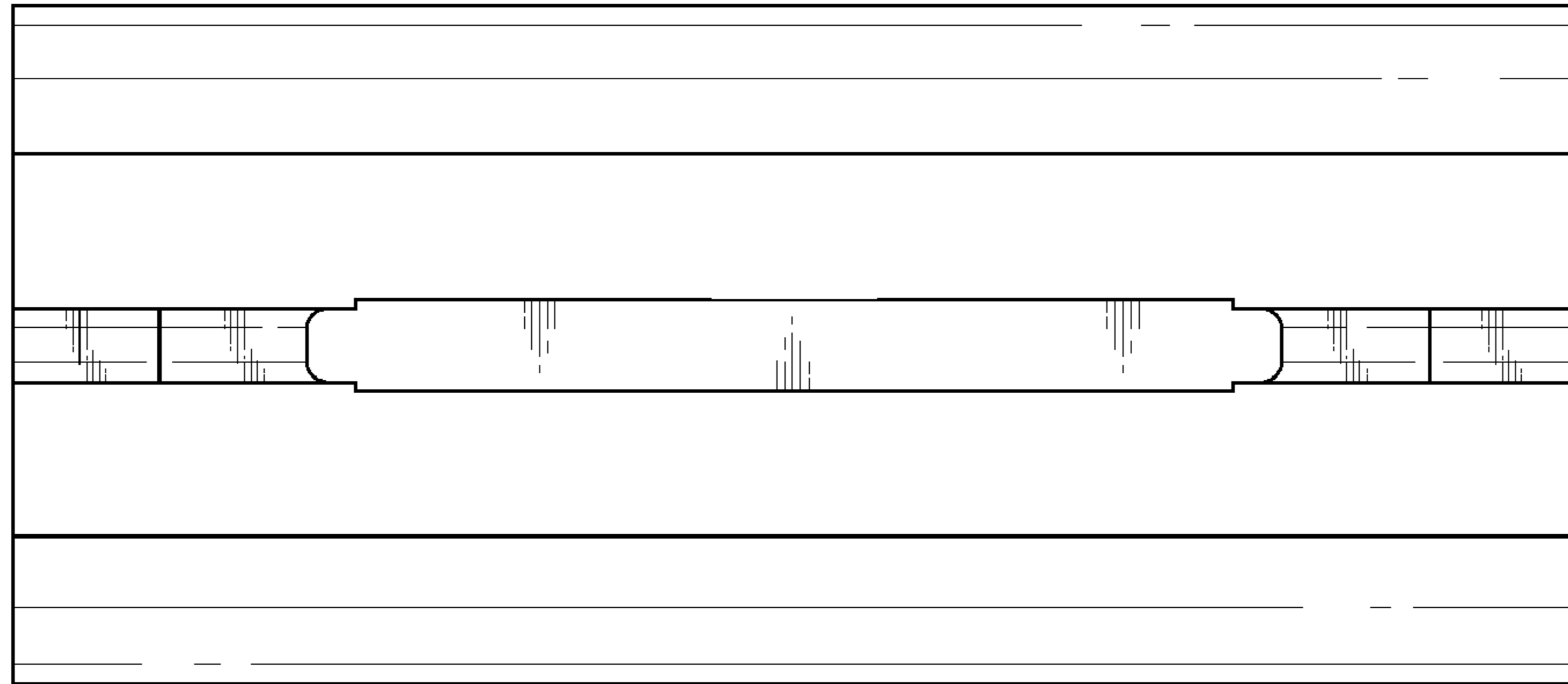


Fig. 6

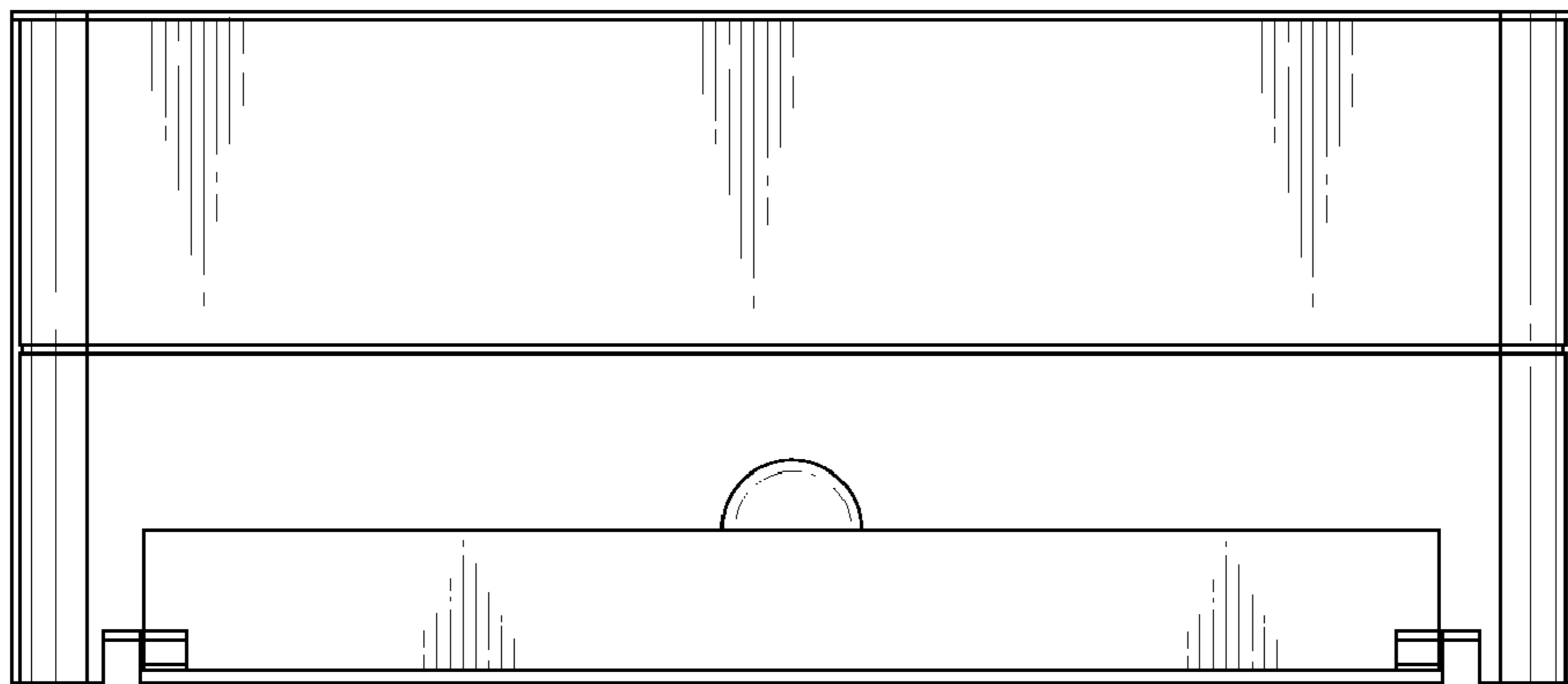


Fig. 7

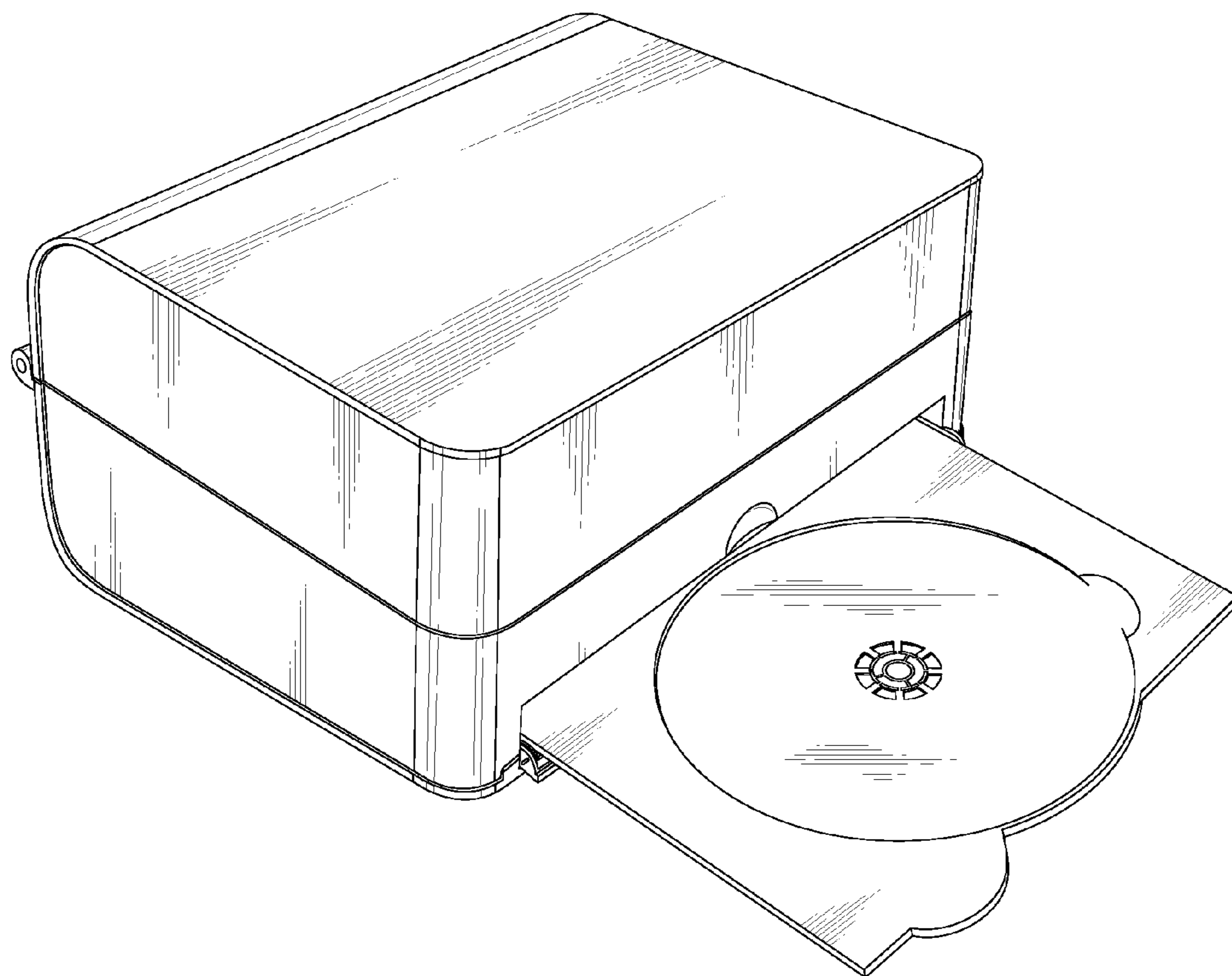


Fig. 8

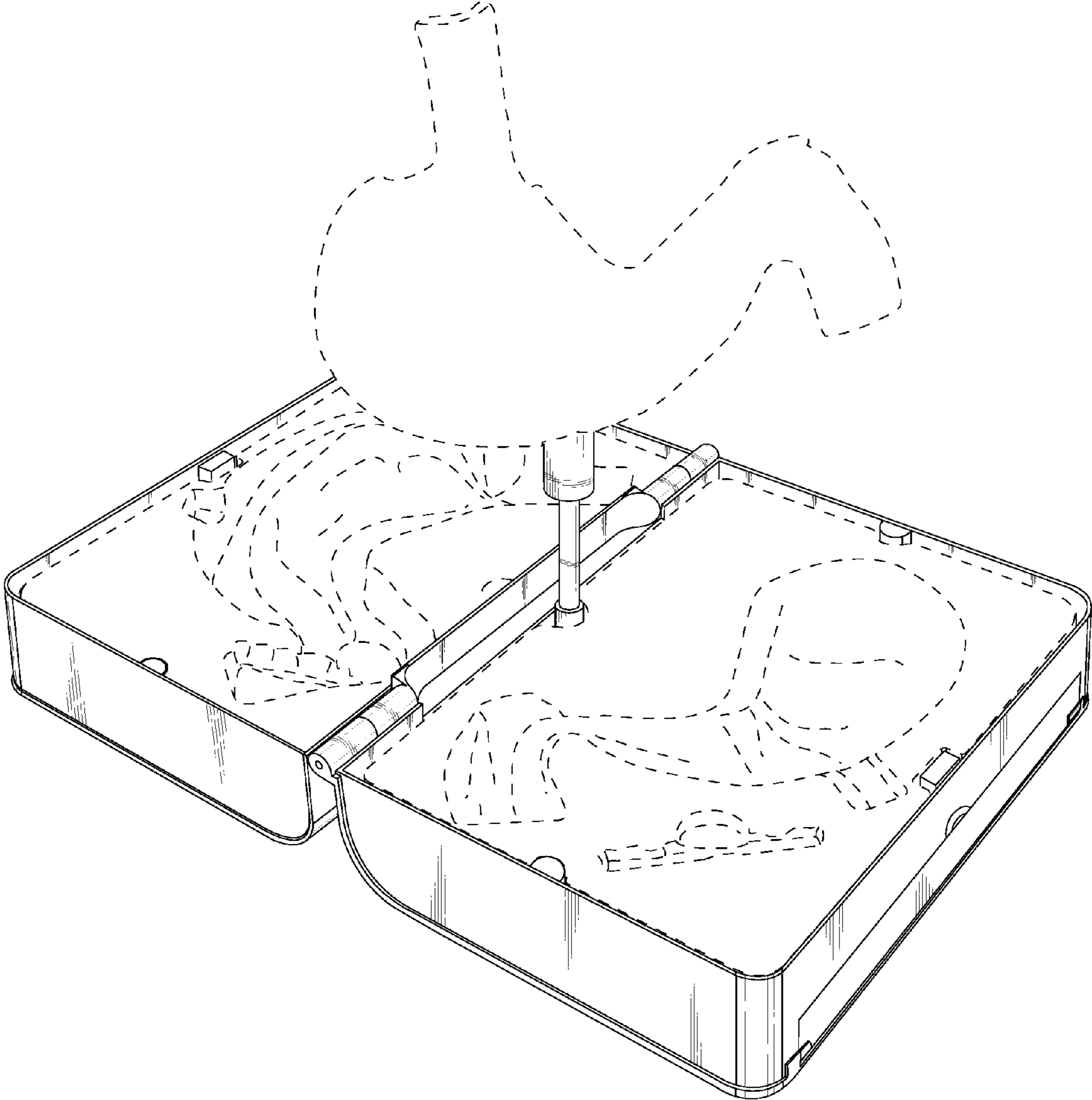


Fig. 9