



US00D613941S

(12) **United States Design Patent**
Daniel

(10) **Patent No.:** **US D613,941 S**
(45) **Date of Patent:** **** Apr. 20, 2010**

(54) **GUN INTEL POCKET**

(57) **CLAIM**

(76) Inventor: **Isaac S. Daniel**, 200 S. Biscayne Blvd.,
Suite 2650, Miami, FL (US) 33131

The ornamental design for a gun intel pocket, as shown and described.

(**) Term: **14 Years**

DESCRIPTION

(21) Appl. No.: **29/316,394**

FIG. 1 is a front, right and bottom perspective view of the gun intel pocket showing my new design;

(22) Filed: **Sep. 21, 2009**

FIG. 2 is a front, left and top perspective view of the invention;

(51) **LOC (9) Cl.** **03-01**

FIG. 3 is a front elevational view of the invention;

(52) **U.S. Cl.** **D3/222**

FIG. 4 is a rear elevational view of the invention;

(58) **Field of Classification Search** D3/222-223,
D3/215, 218-219; 224/191-193, 198, 238,
224/240, 243, 911-912, 914, 901.4, 197,
224/673

FIG. 5 is a left side elevational view of the invention.

See application file for complete search history.

FIG. 6 is a right side elevational view of the invention.

FIG. 7 is a top plan view of the invention.

FIG. 8 is a bottom plan view of the invention.

(56) **References Cited**

FIG. 9 is a front, right and bottom perspective exploded view of the invention;

U.S. PATENT DOCUMENTS

FIG. 10 is a front, left and top perspective exploded view of the invention;

D236,891 S * 9/1975 Weissenburger D3/222

FIG. 11 is a front elevational exploded view of the invention;

4,398,655 A * 8/1983 Perry 224/191

FIG. 12 is a rear elevational exploded view of the invention;

D335,221 S * 5/1993 Nichols D3/222

FIG. 13 is a left side elevational exploded view of the invention.

D392,458 S * 3/1998 Batts D3/222

FIG. 14 is a right side elevational exploded view of the invention.

7,320,420 B2 * 1/2008 Buis et al. 224/197

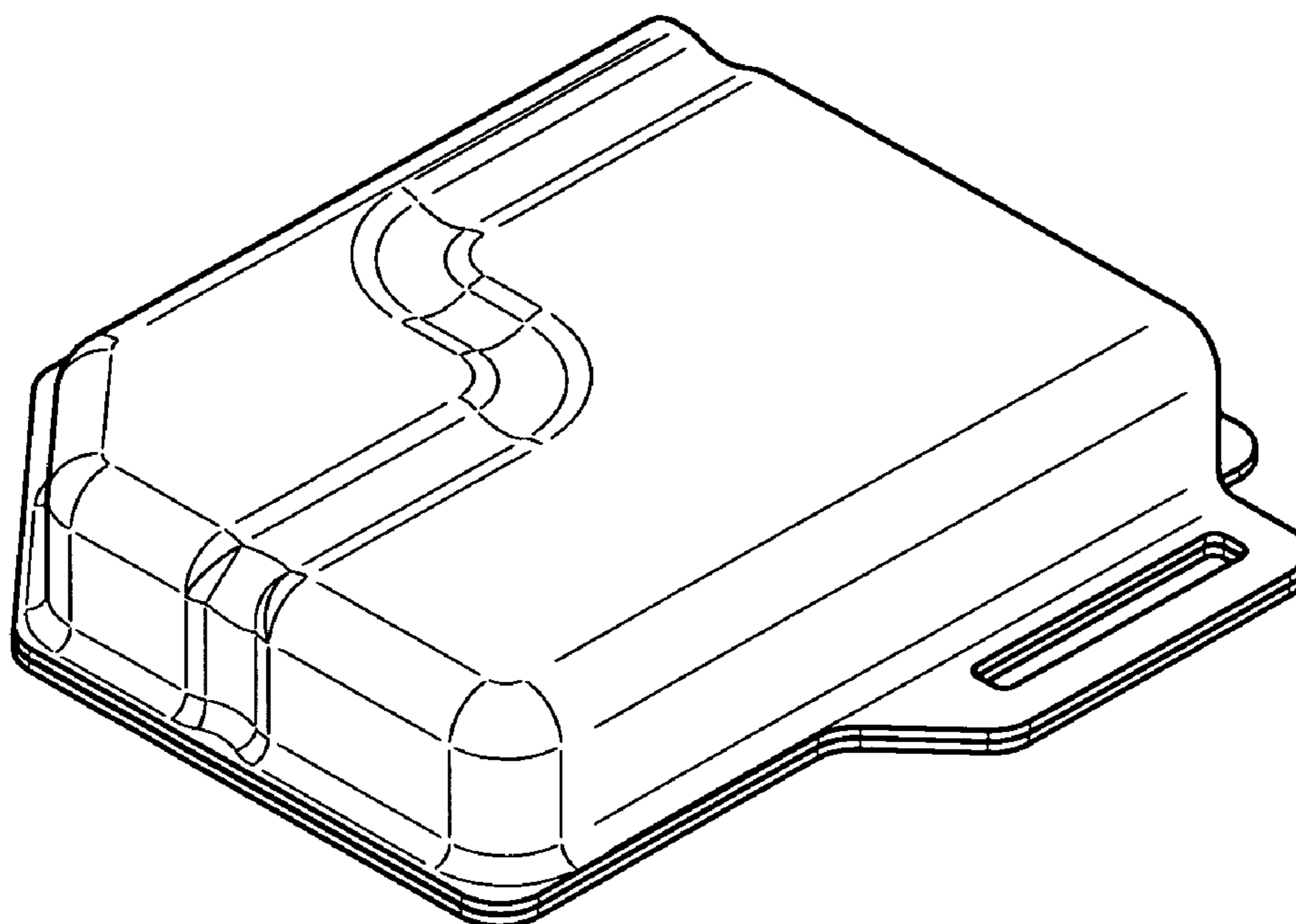
FIG. 15 is a top plan exploded view of the invention; and,

* cited by examiner

FIG. 16 is a bottom plan exploded view of the invention.

Primary Examiner—Catherine R Oliver
(74) *Attorney, Agent, or Firm*—Carol N. Green, Esq.

1 Claim, 7 Drawing Sheets



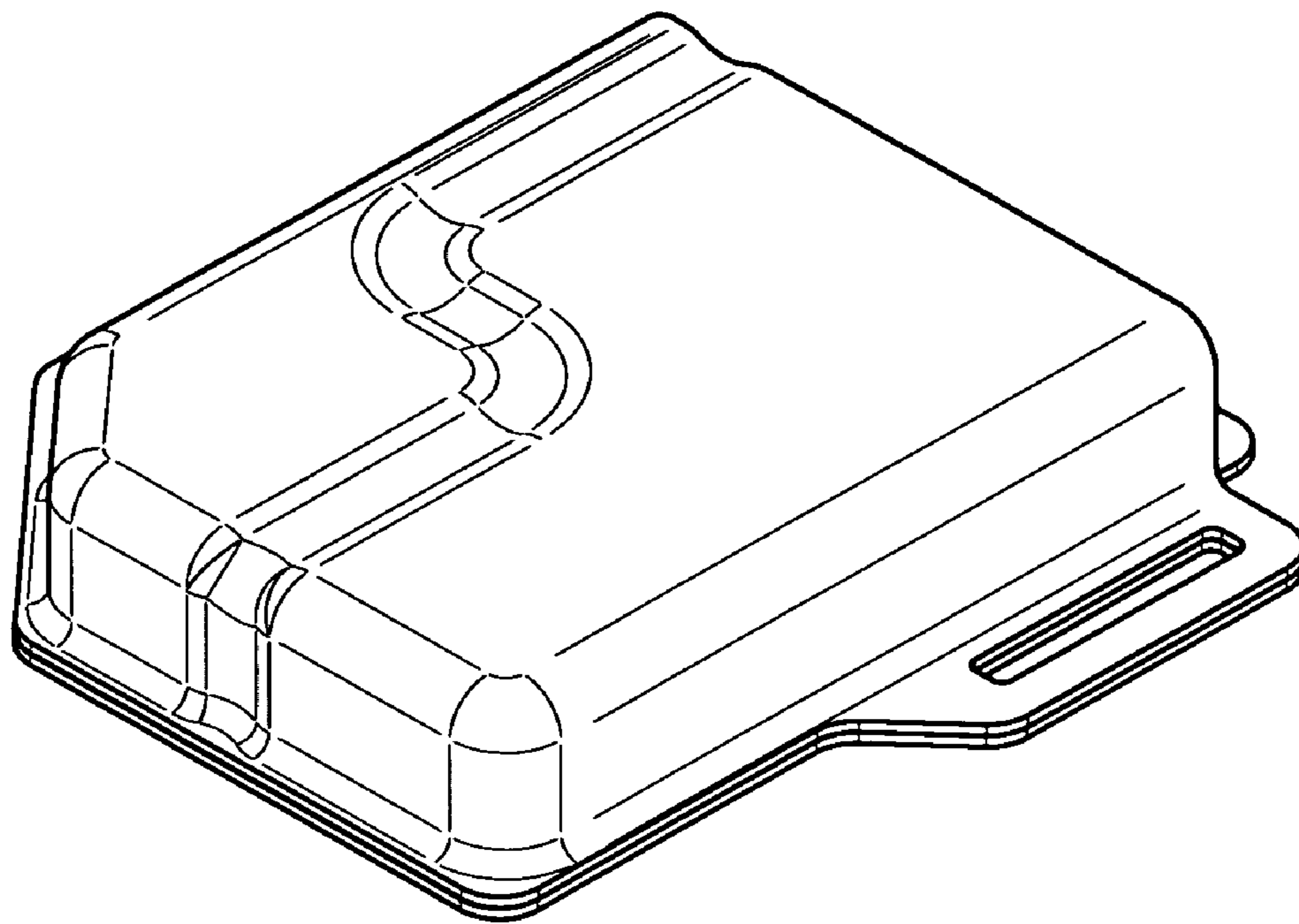


FIG. 1

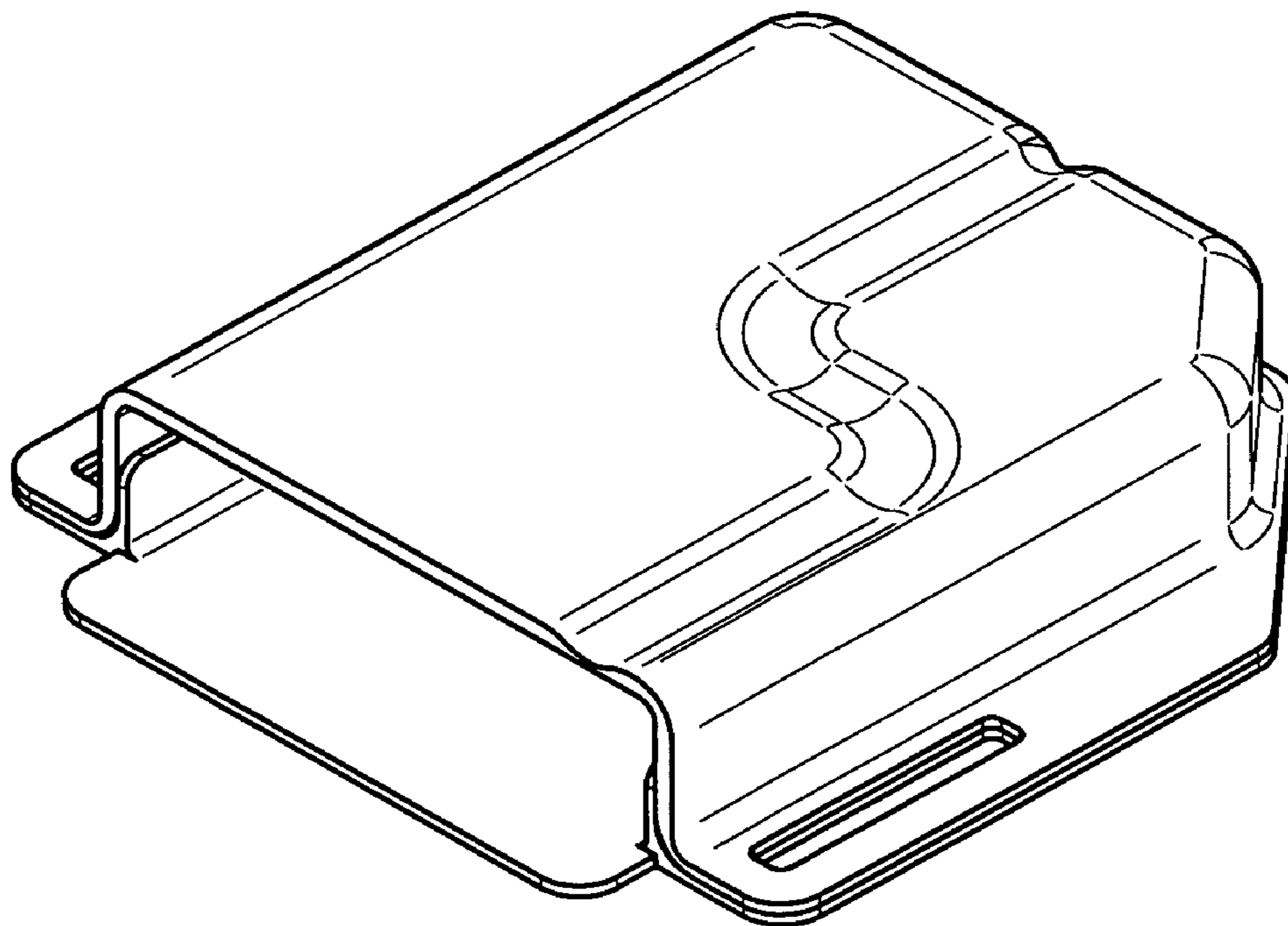


FIG. 2

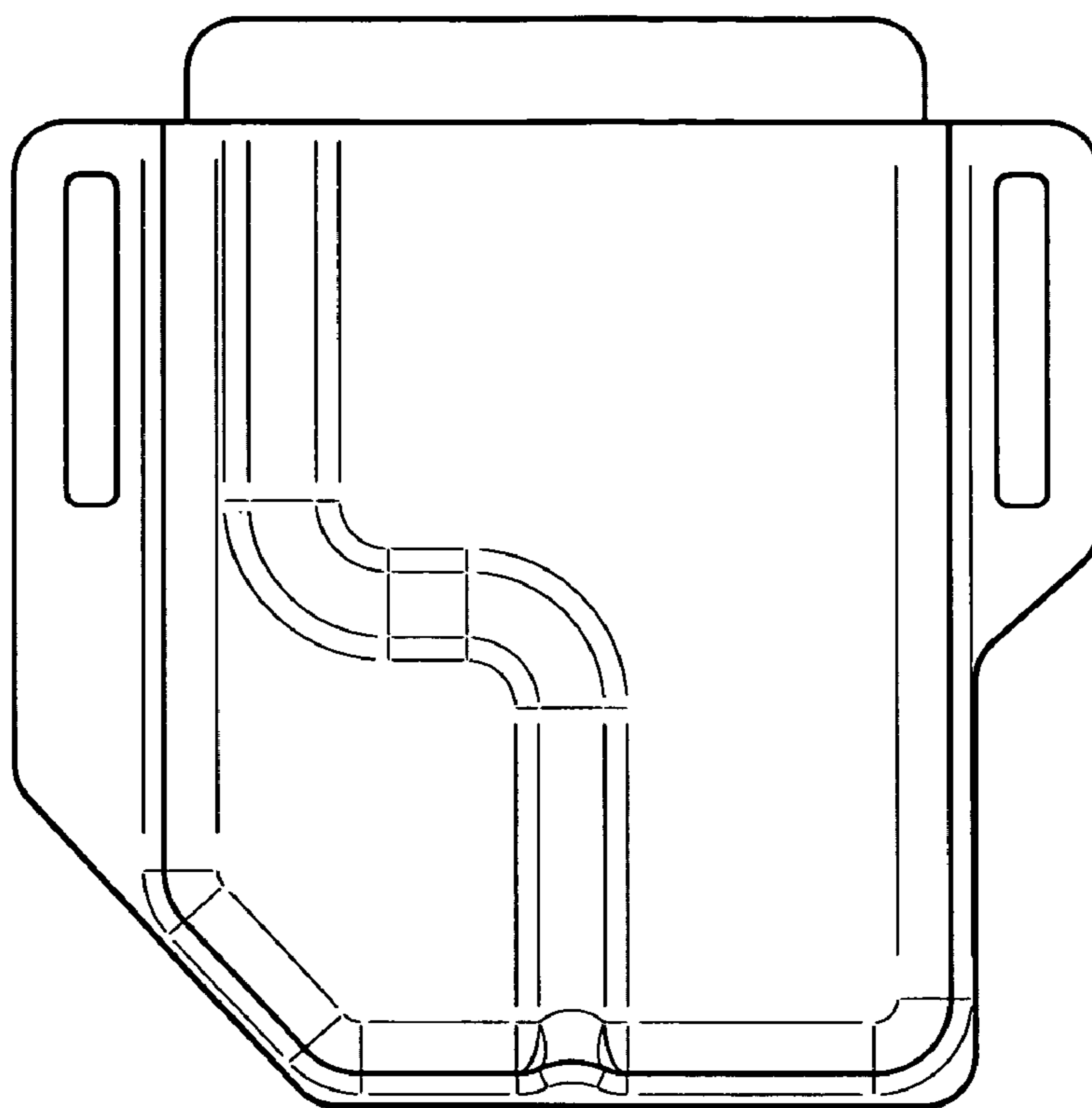


FIG. 3

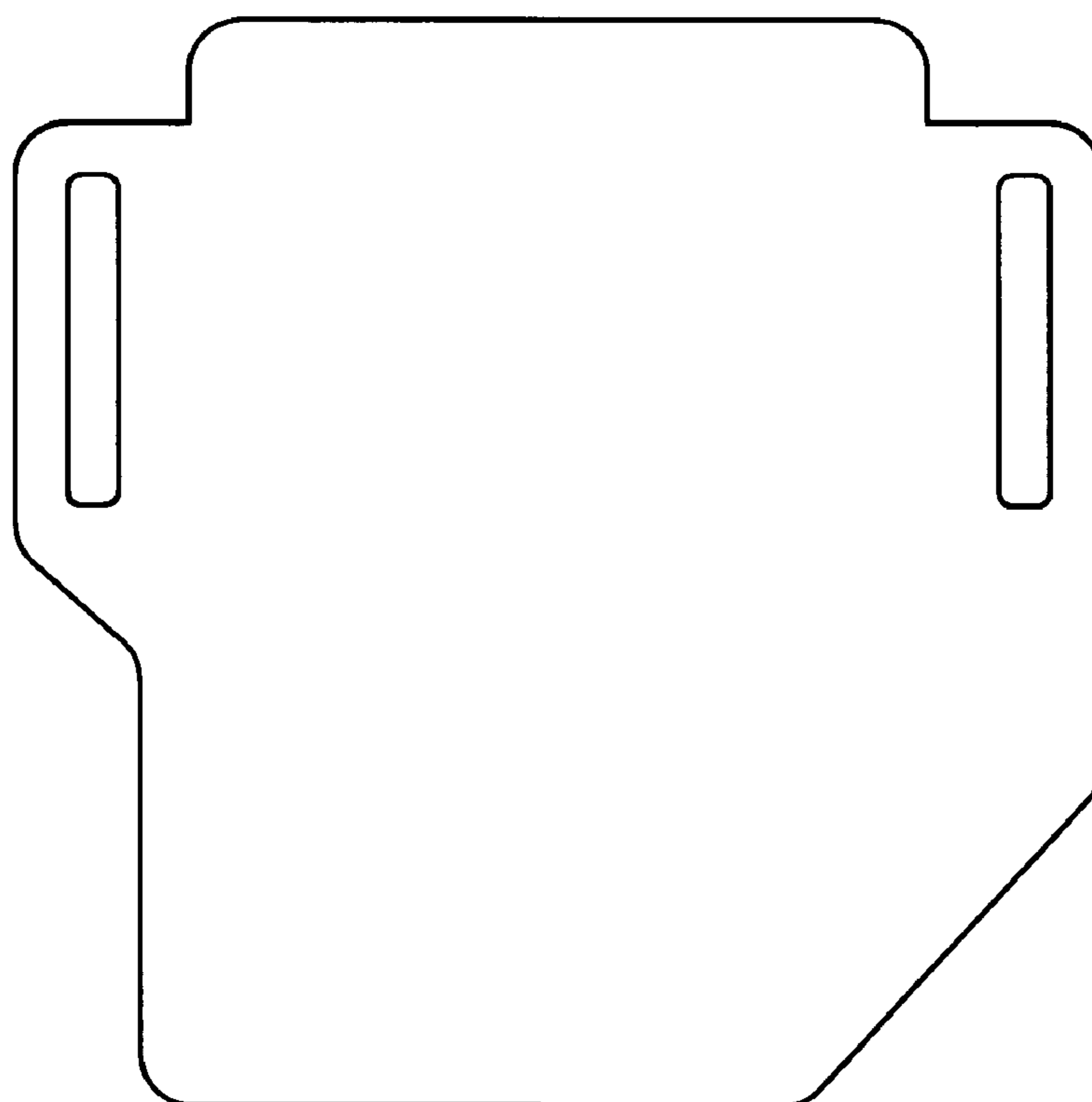


FIG. 4

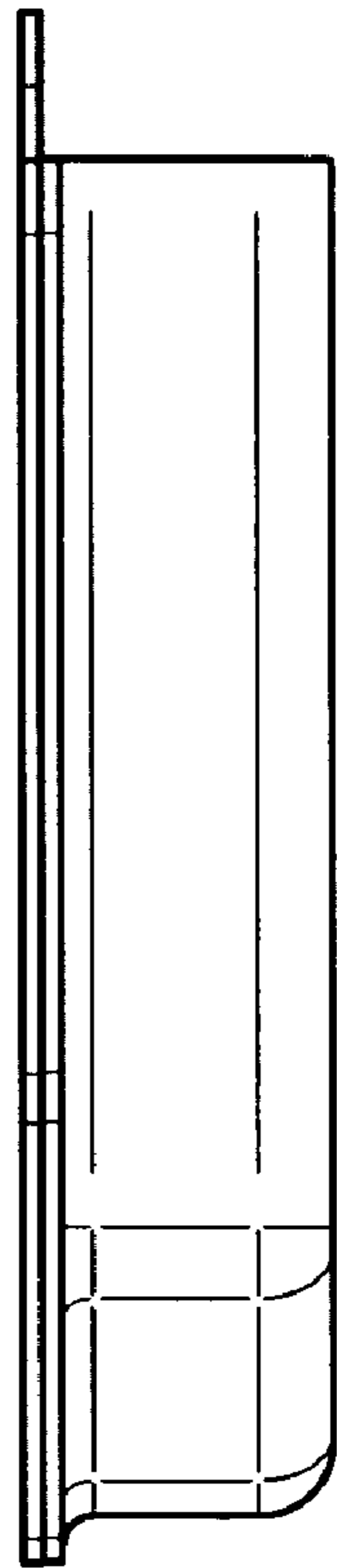


FIG. 5

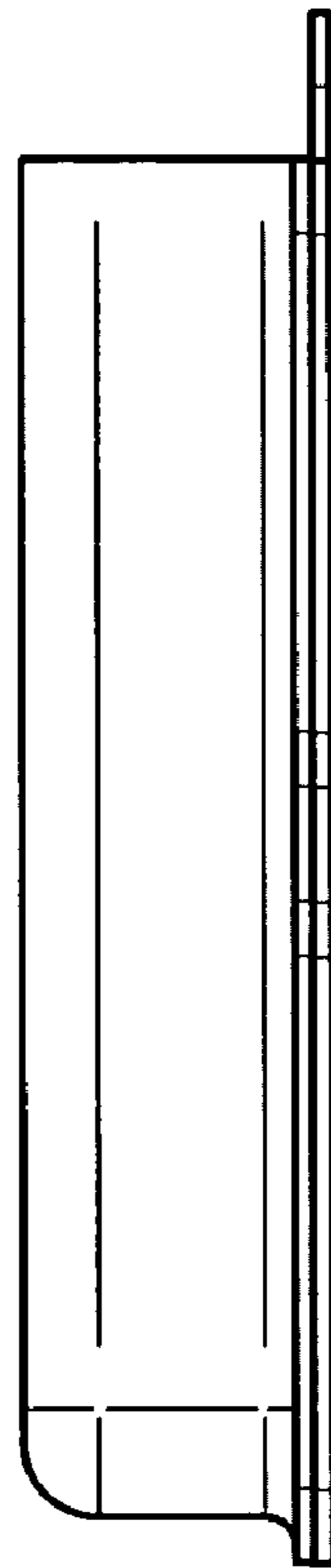


FIG. 6

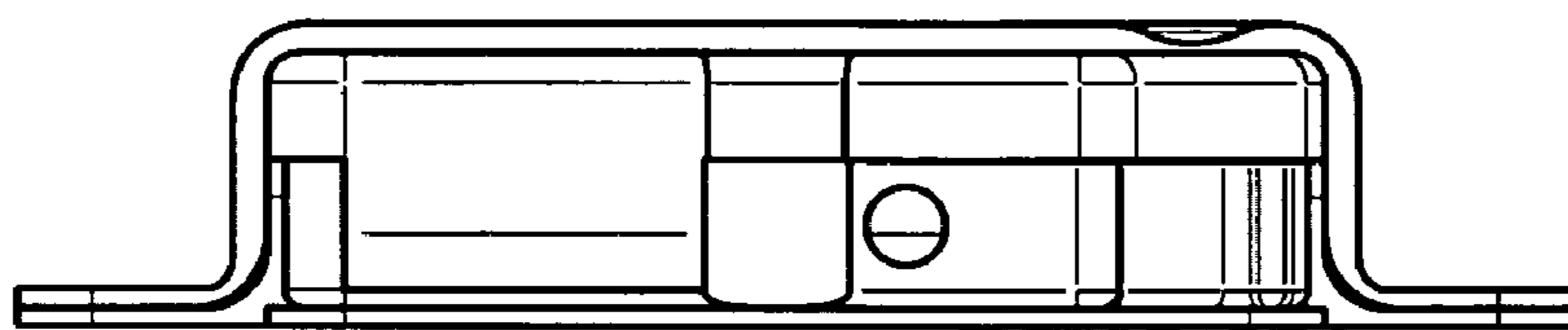


FIG. 7

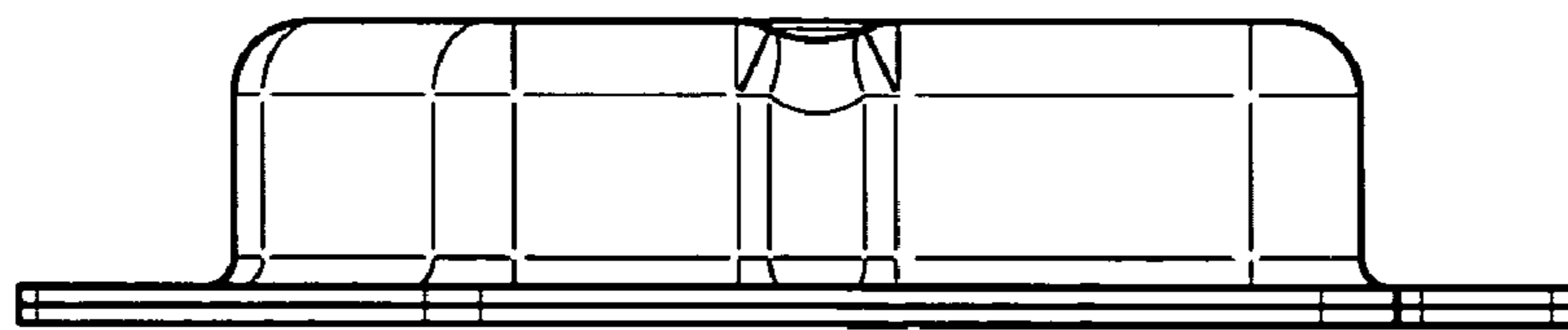


FIG. 8

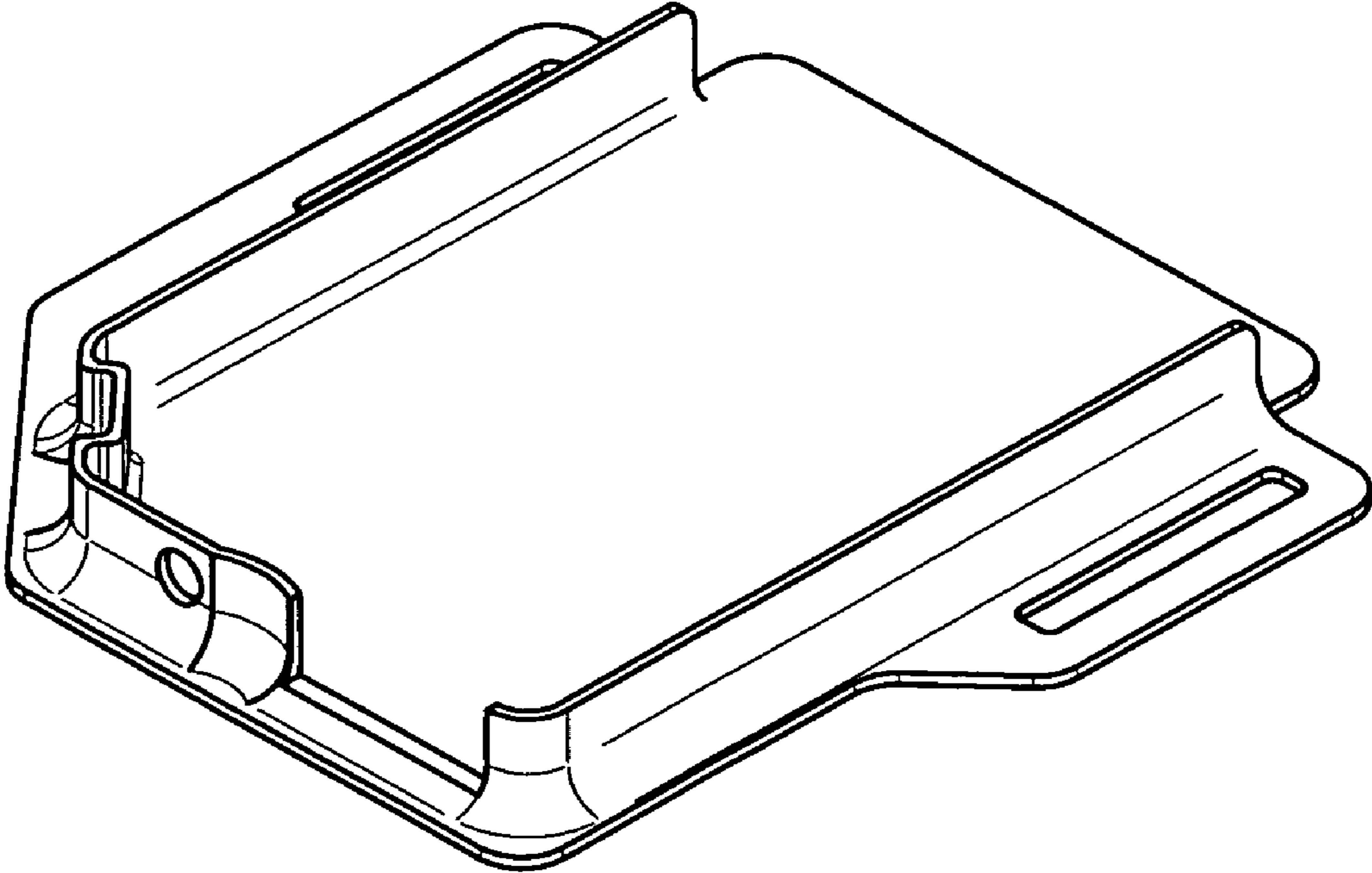
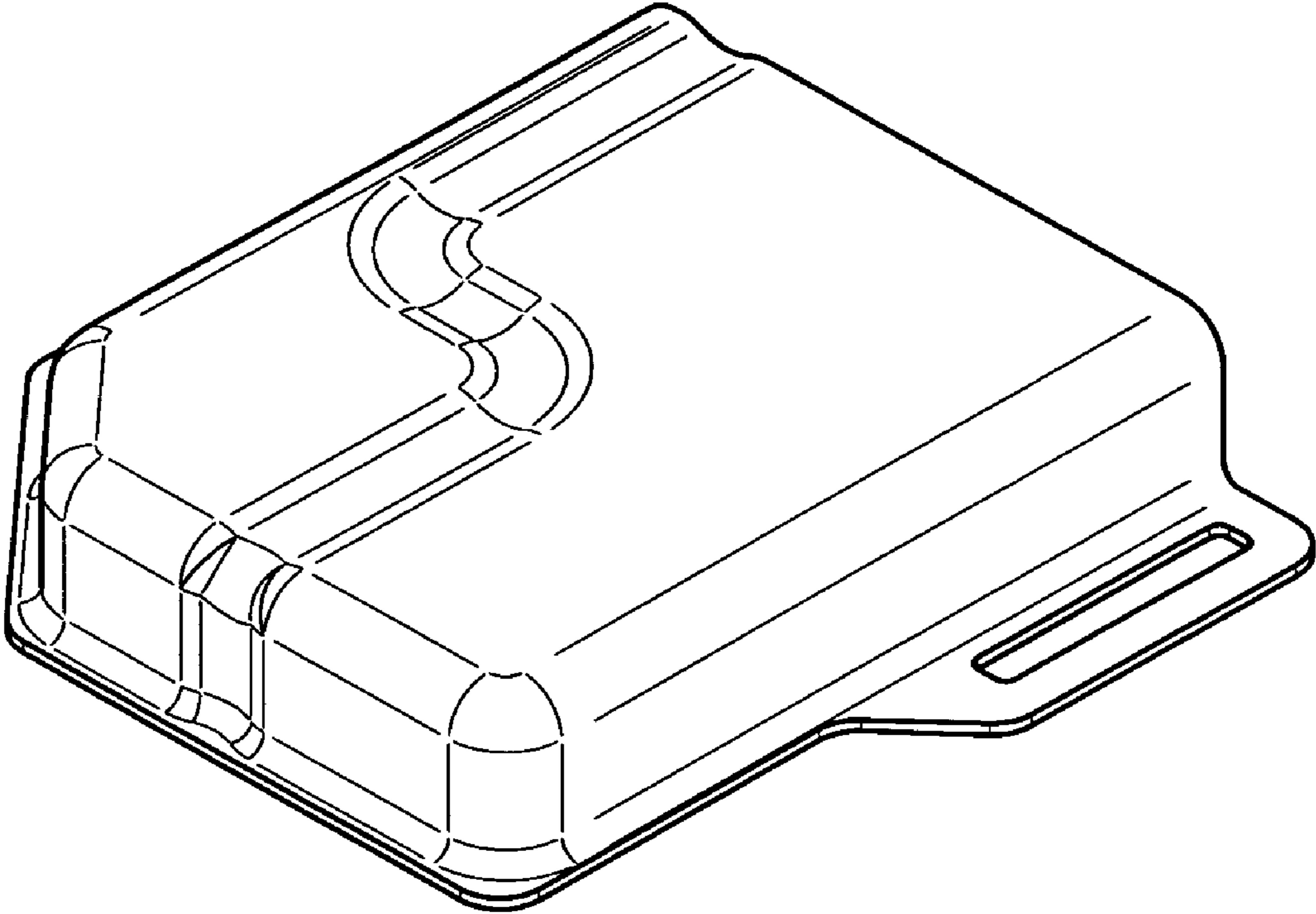


FIG. 9

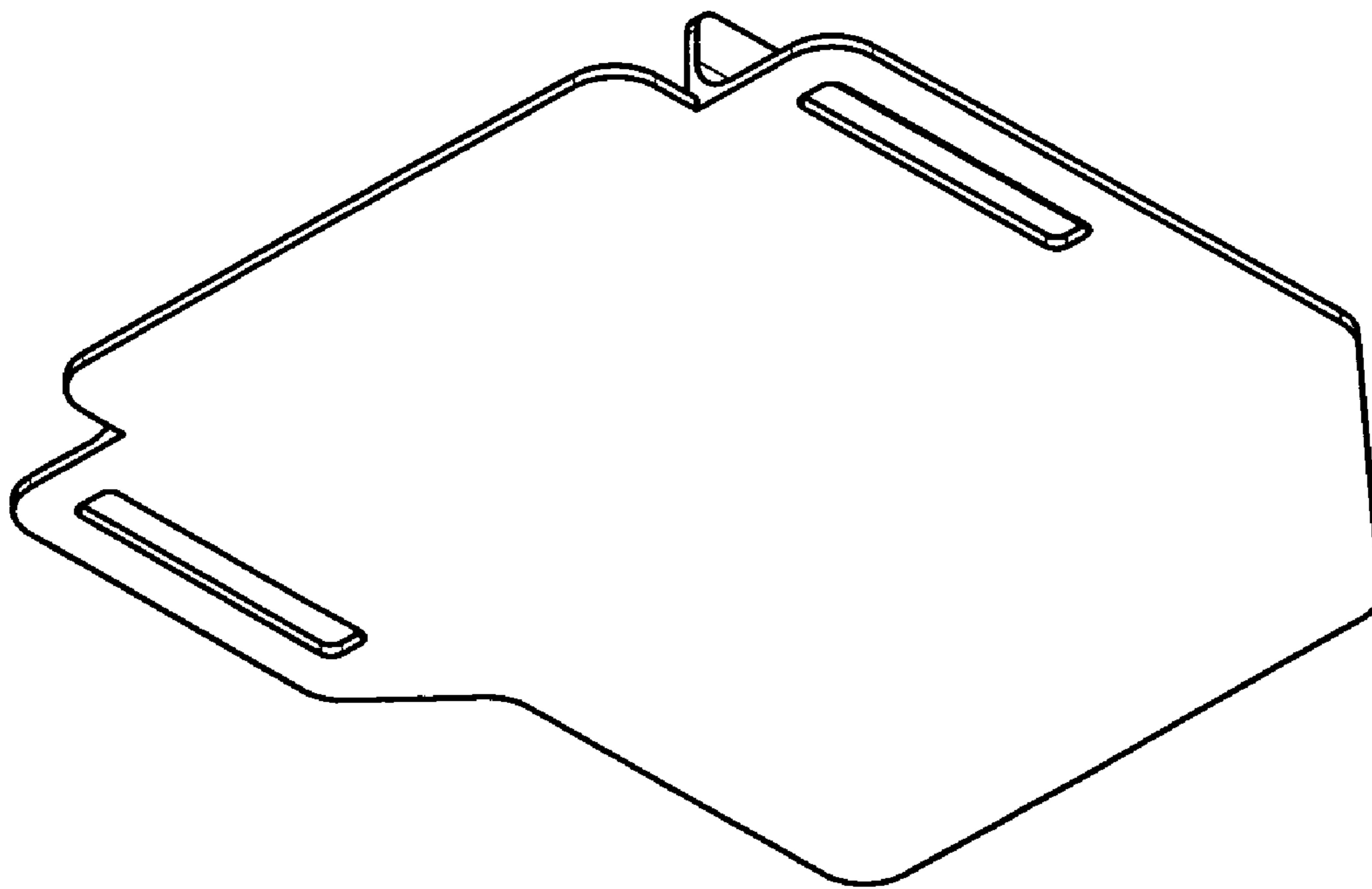
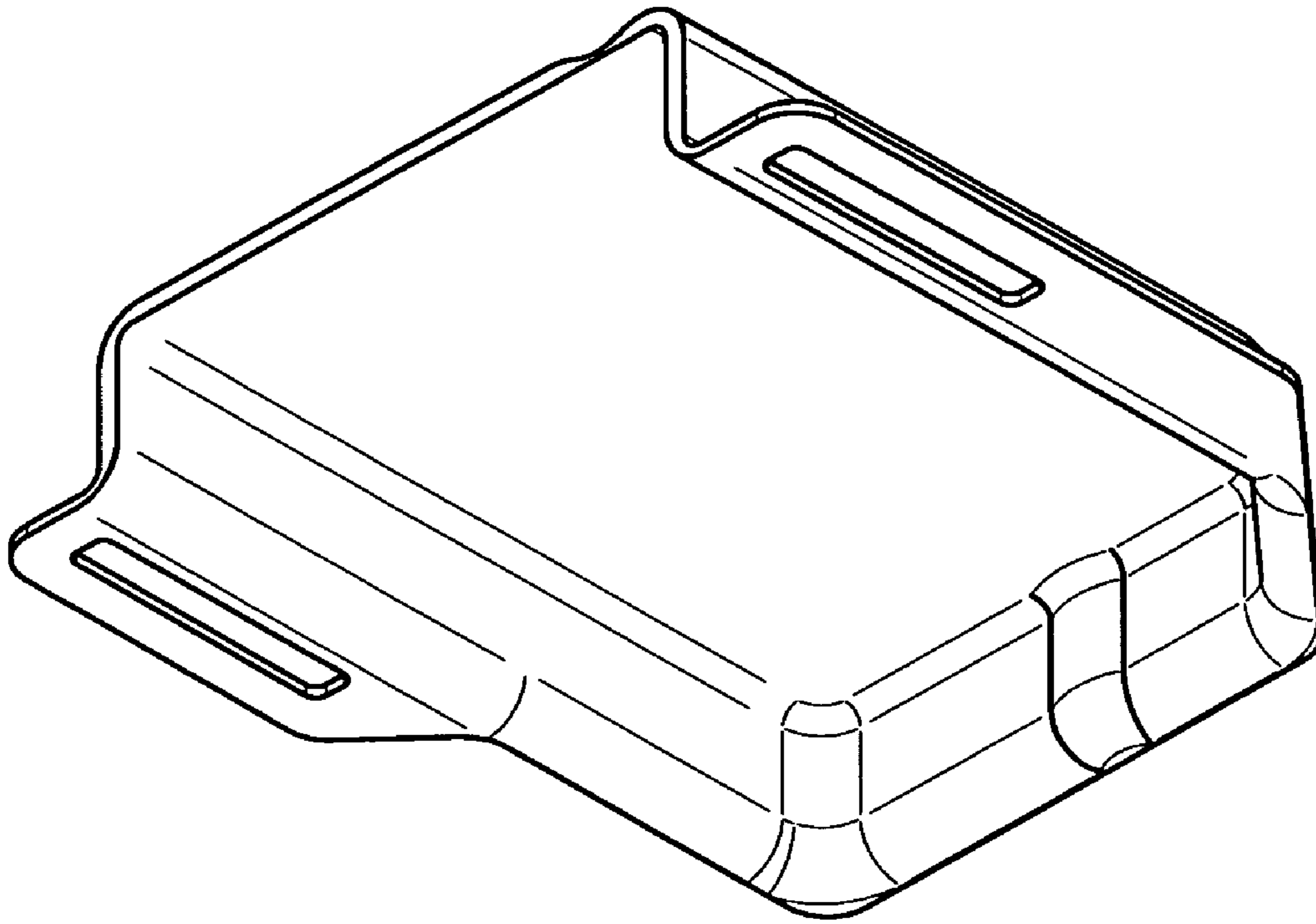


FIG. 10

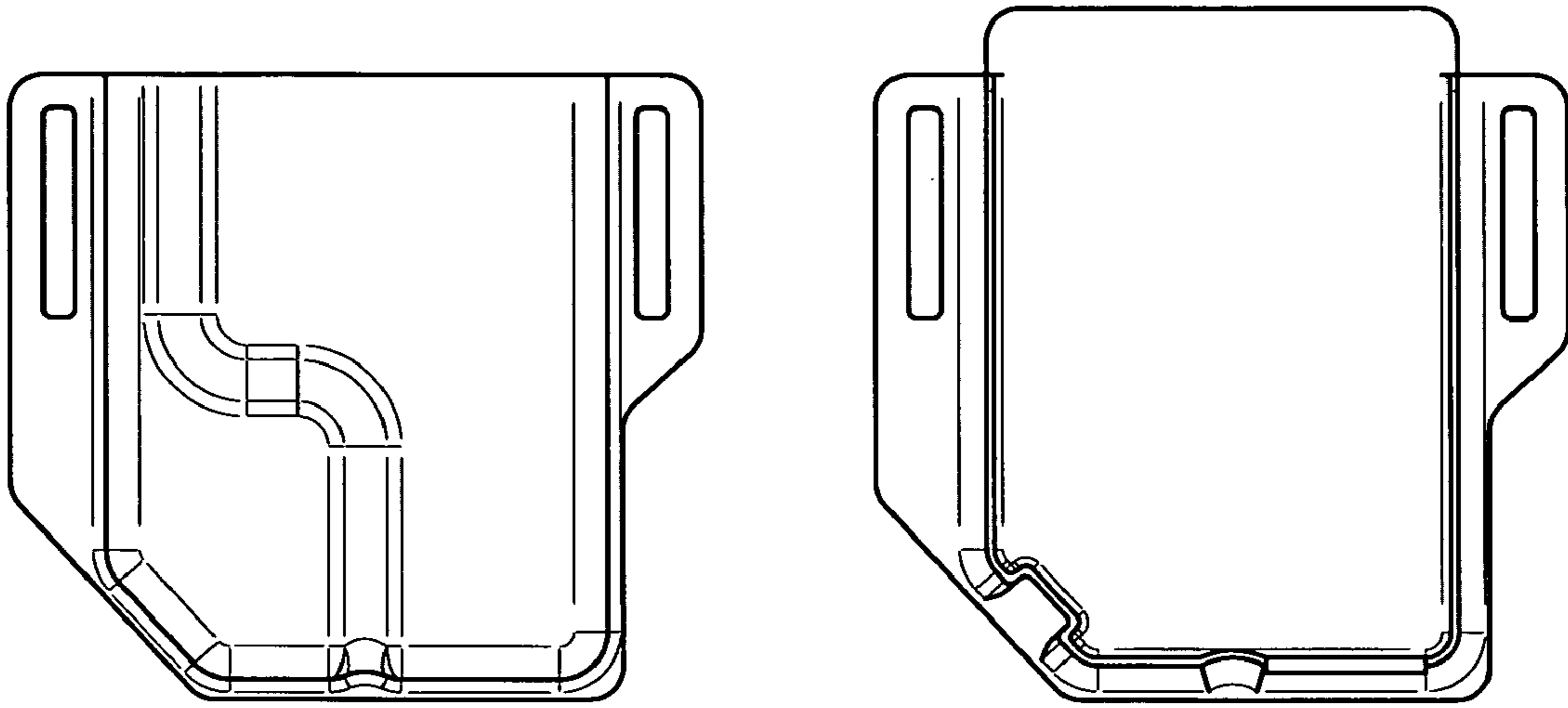


FIG. 11

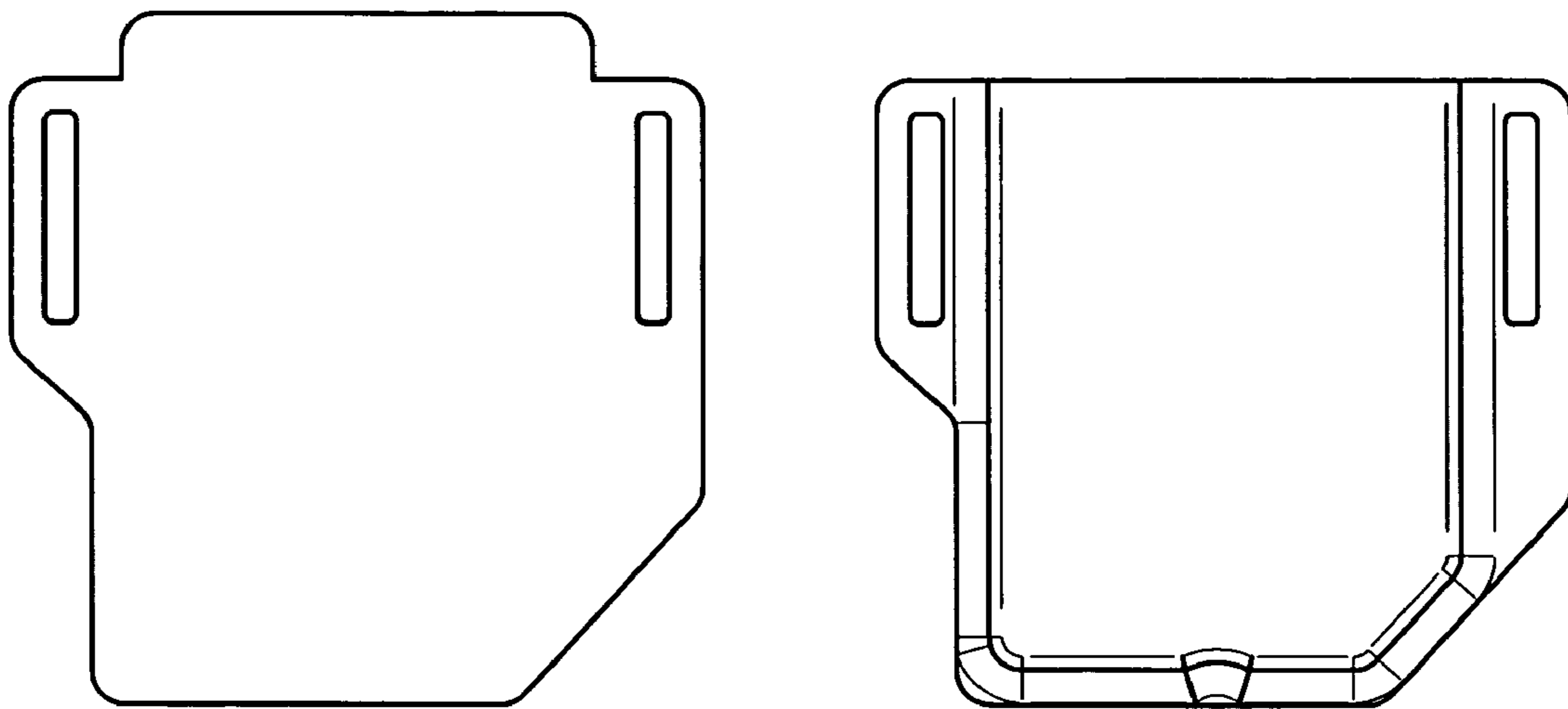


FIG. 12

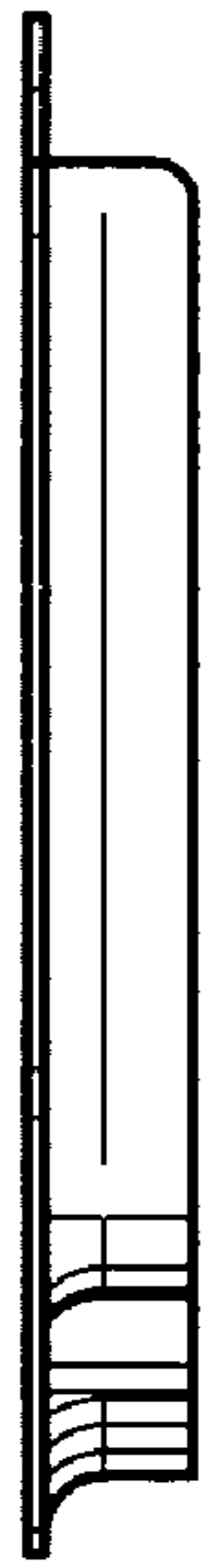


FIG. 13

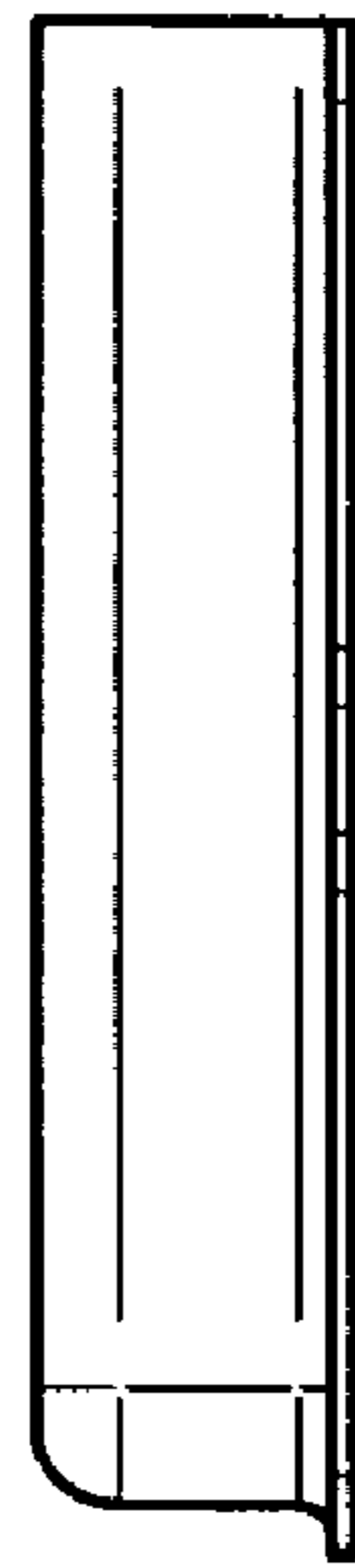
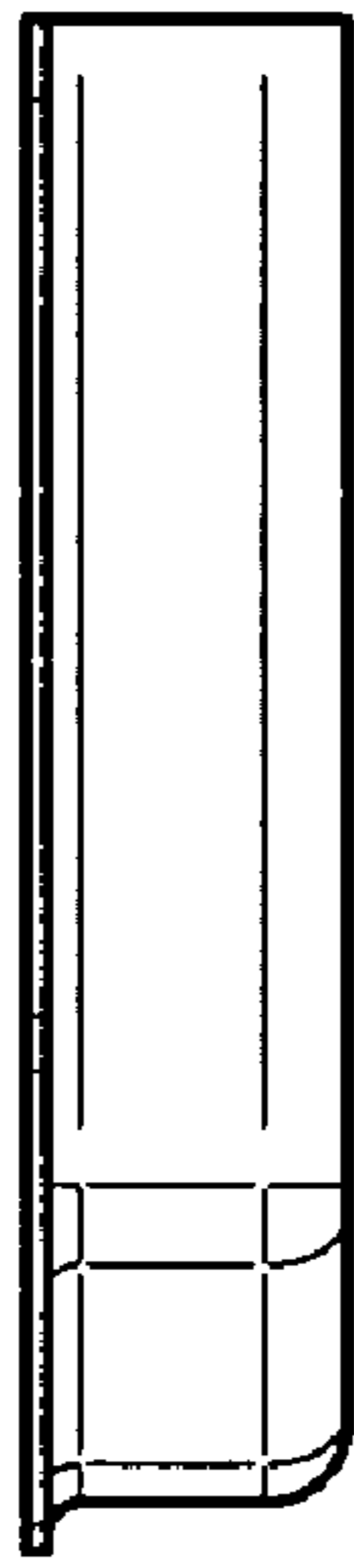


FIG. 14

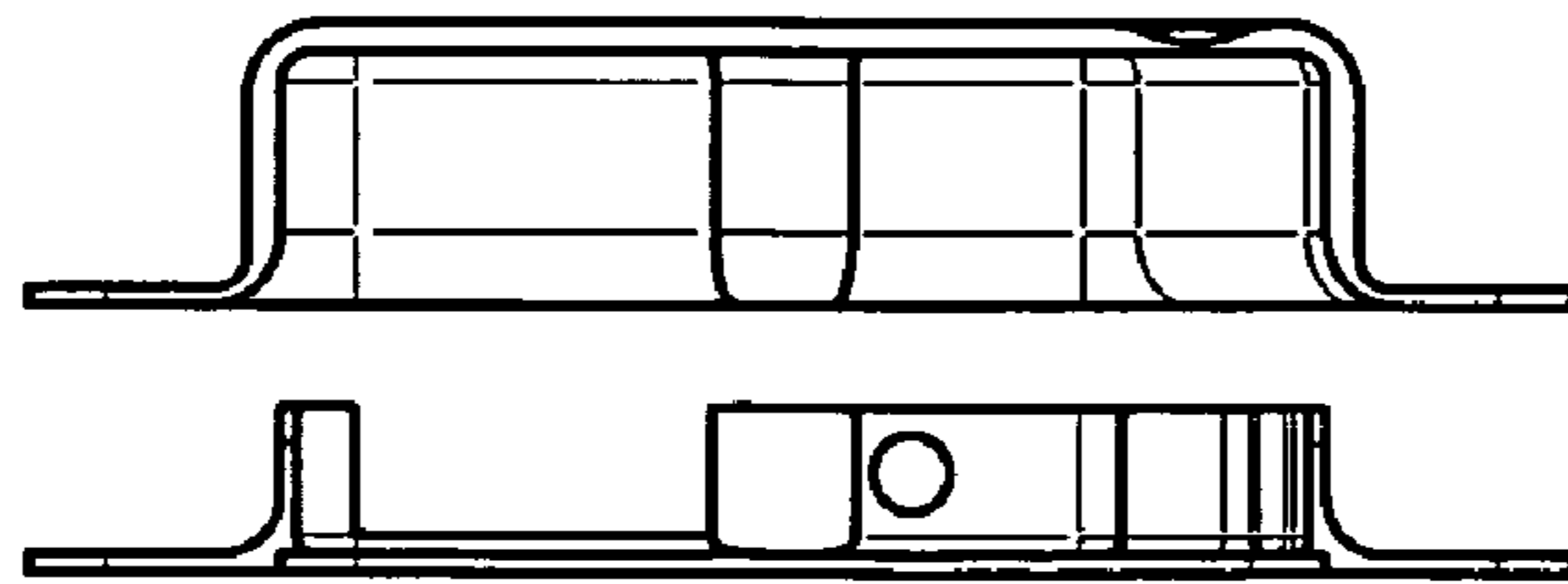


FIG. 15

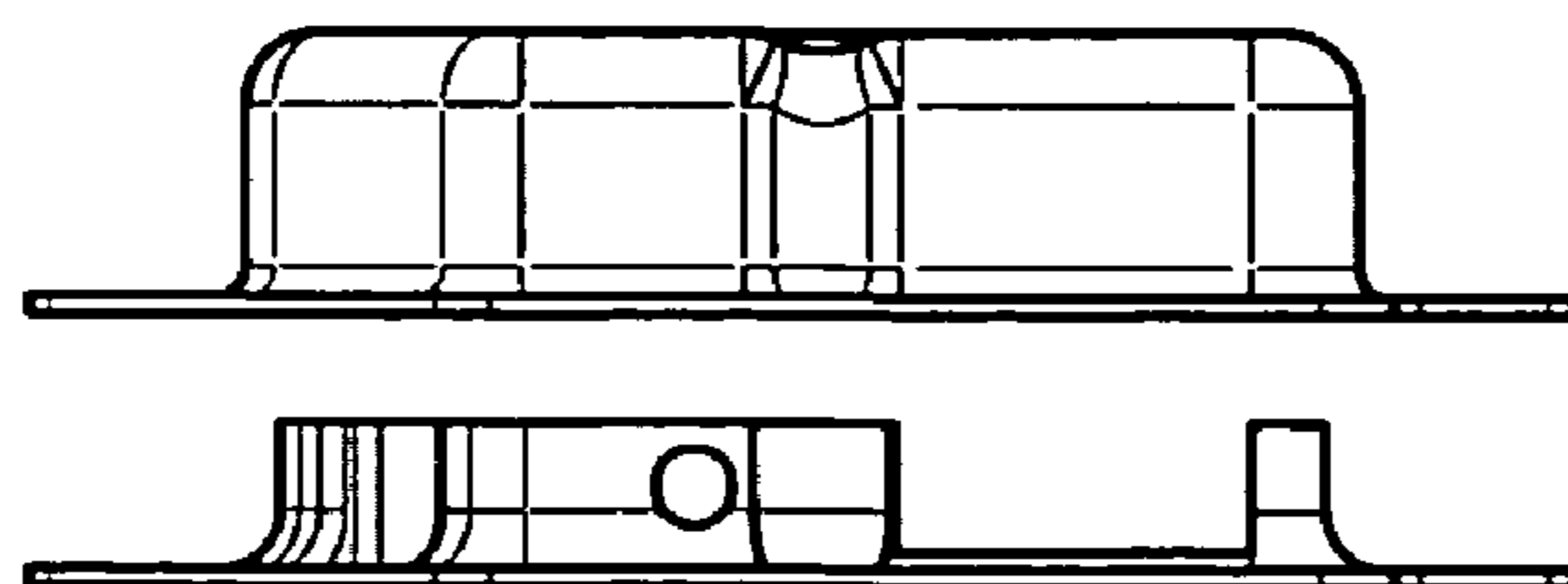


FIG. 16