



US00D613940S

(12) **United States Design Patent**
Colwell

(10) **Patent No.:** **US D613,940 S**

(45) **Date of Patent:** **** Apr. 20, 2010**

(54) **DRUM CASE**

(76) Inventor: **Jonathan Colwell**, 903 W. 17th St., Unit
70, Costa Mesa, CA (US) 92627

(**) Term: **14 Years**

(21) Appl. No.: **29/317,204**

(22) Filed: **Apr. 24, 2008**

(51) **LOC (9) Cl.** **03-01**

(52) **U.S. Cl.** **D3/204; D3/269**

(58) **Field of Classification Search** D3/201,
D3/204, 269, 290, 294; 206/581; 224/910;
29/416

See application file for complete search history.

(56) **References Cited**

U.S. PATENT DOCUMENTS

3,292,252	A	*	12/1966	Reading	29/416
3,931,967	A	*	1/1976	Lyons et al.	473/554
D247,195	S	*	2/1978	Mikosz	D3/204
D247,196	S	*	2/1978	Mikosz	D3/204
D247,197	S	*	2/1978	Mikosz	D3/204
D281,289	S	*	11/1985	Graham	D3/204
D283,464	S	*	4/1986	Ogden	D3/204
D312,531	S	*	12/1990	Sherer et al.	D3/290
6,164,452	A	*	12/2000	Ellis	206/581

D480,211	S	*	10/2003	Wolf	D3/294
D543,350	S	*	5/2007	Sanderson	D3/204
D555,894	S	*	11/2007	Berg et al.	D3/204
D561,990	S	*	2/2008	Berg et al.	D3/204

* cited by examiner

Primary Examiner—Celia A Murphy

(74) *Attorney, Agent, or Firm*—Kauth, Pomeroy, Peck & Balley LLP

(57) **CLAIM**

The ornamental design for a drum case, as shown and described.

DESCRIPTION

FIG. 1 is a perspective view of a drum case showing my new design;

FIG. 2 is a right side view thereof;

FIG. 3 is left side view thereof;

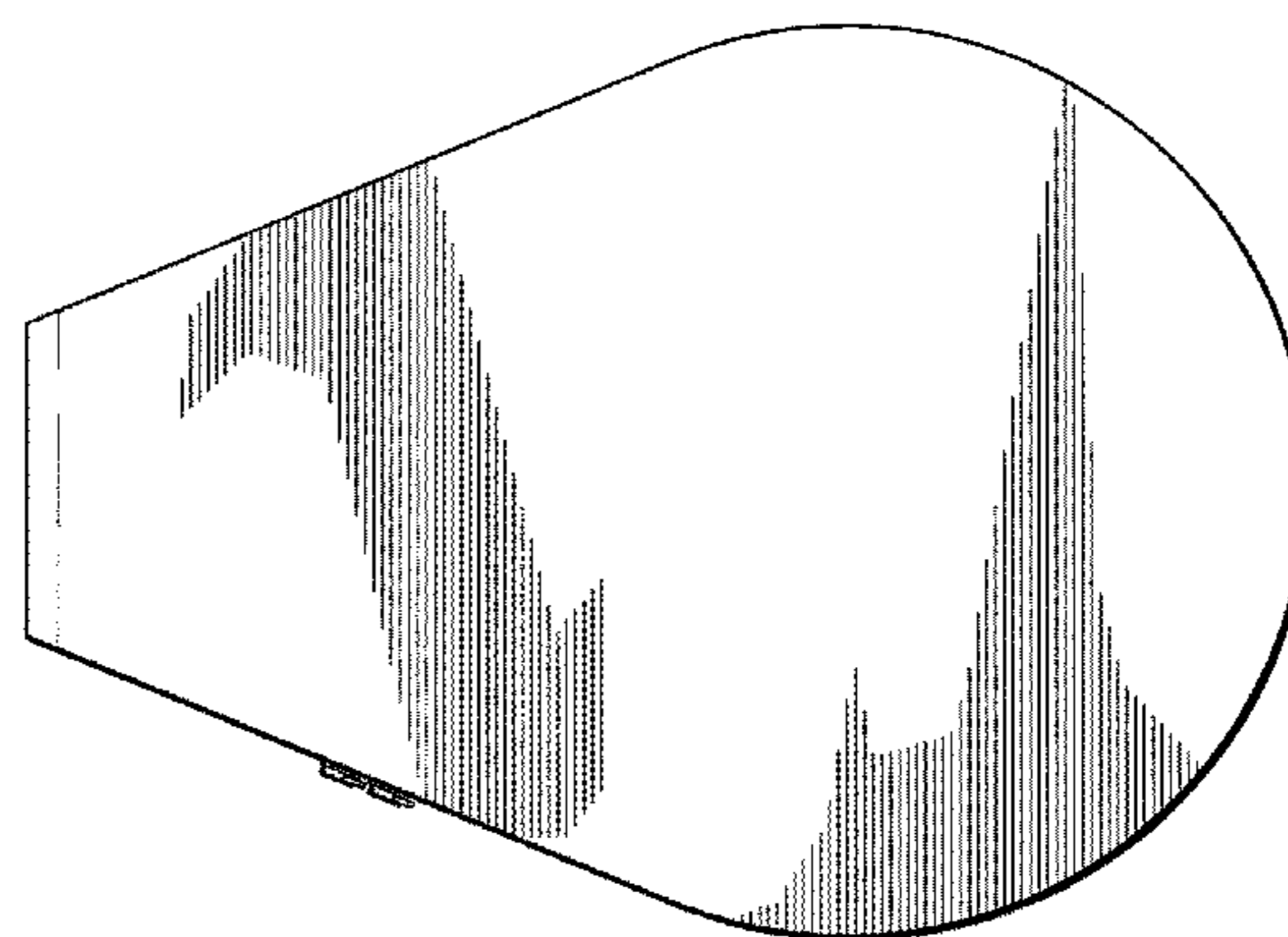
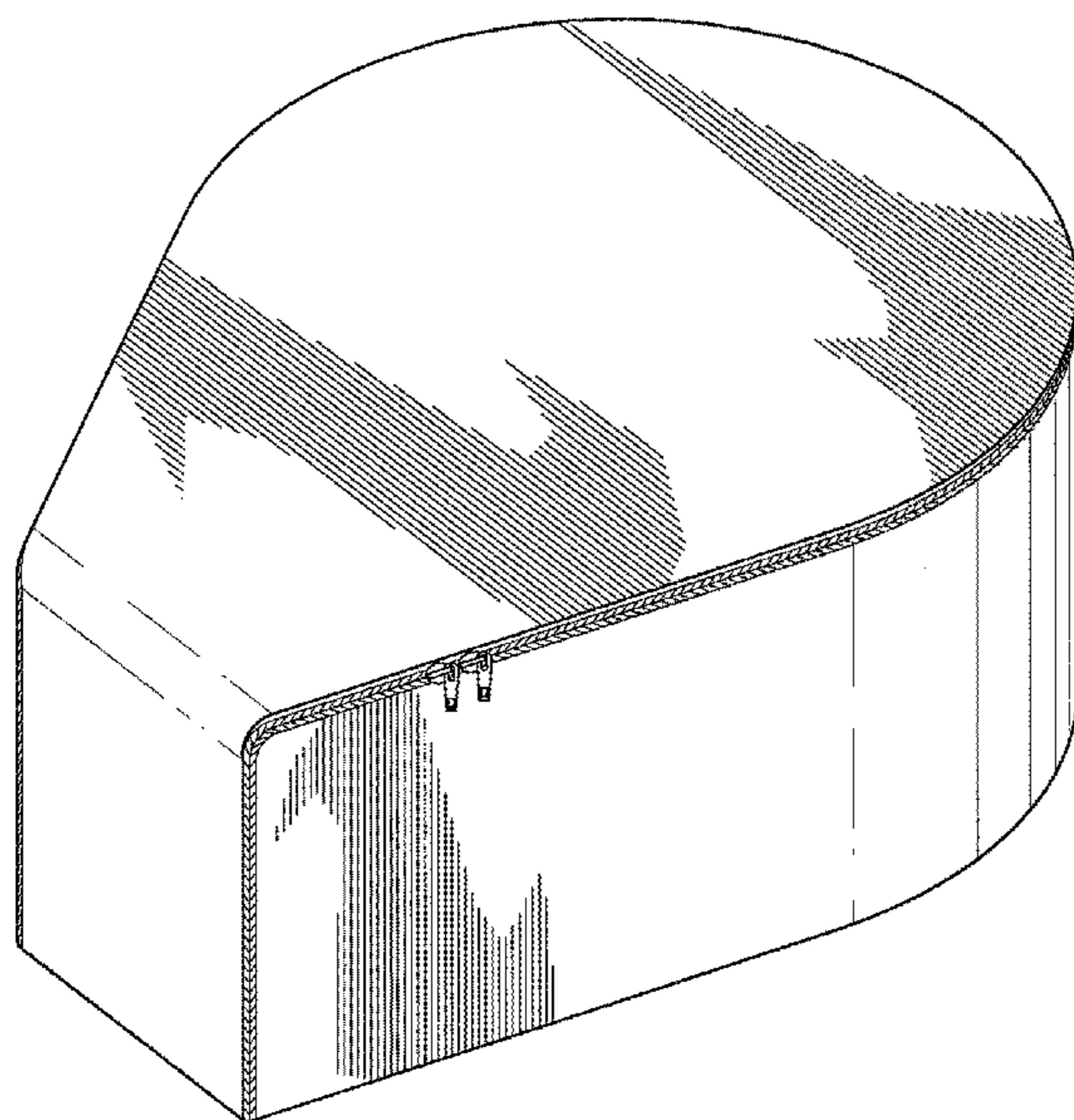
FIG. 4 is a front elevational view thereof;

FIG. 5 is a rear elevational view thereof;

FIG. 6 is a top plan view thereof; and,

FIG. 7 is a bottom plan view thereof.

1 Claim, 4 Drawing Sheets



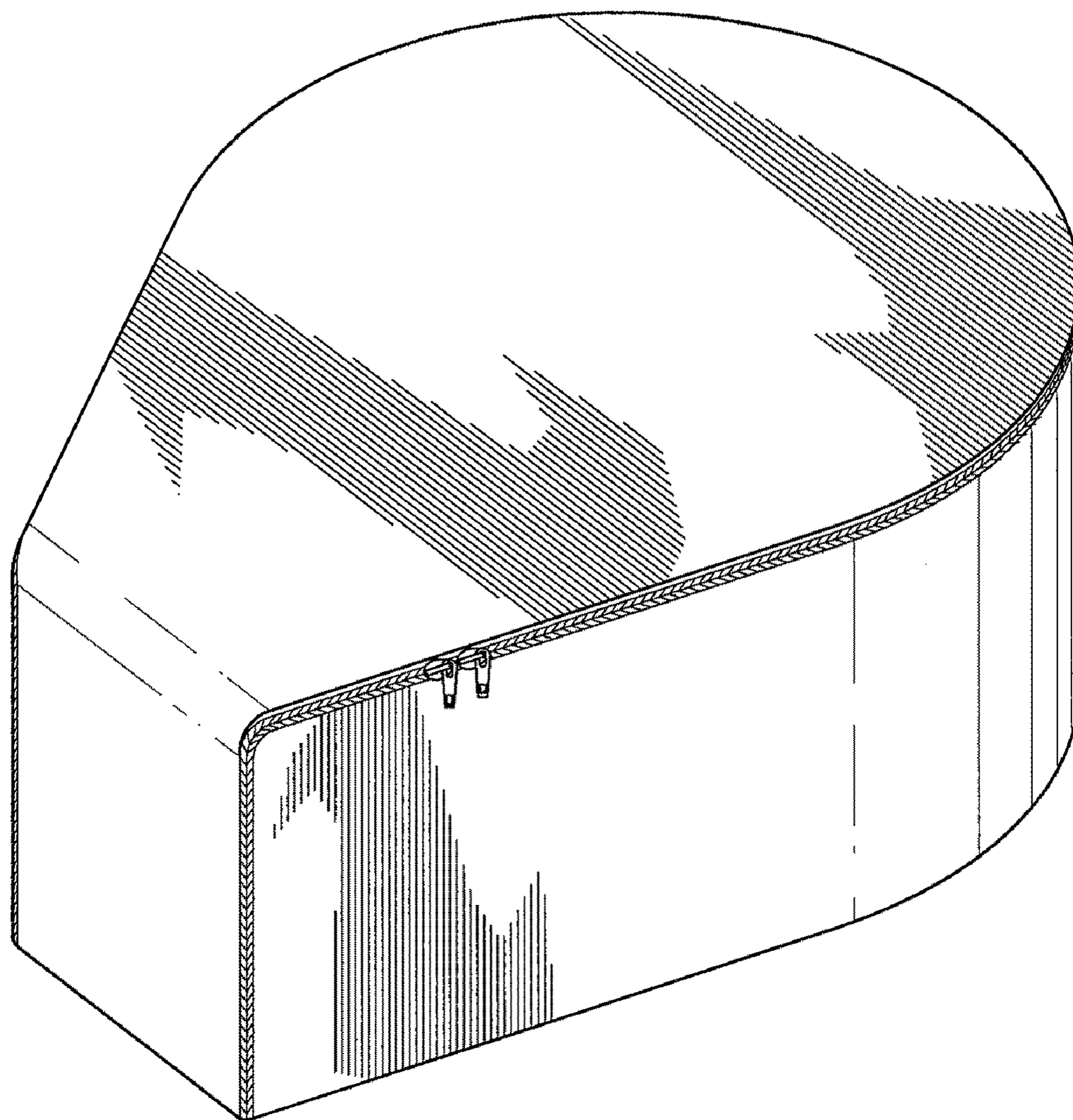


FIG. 1

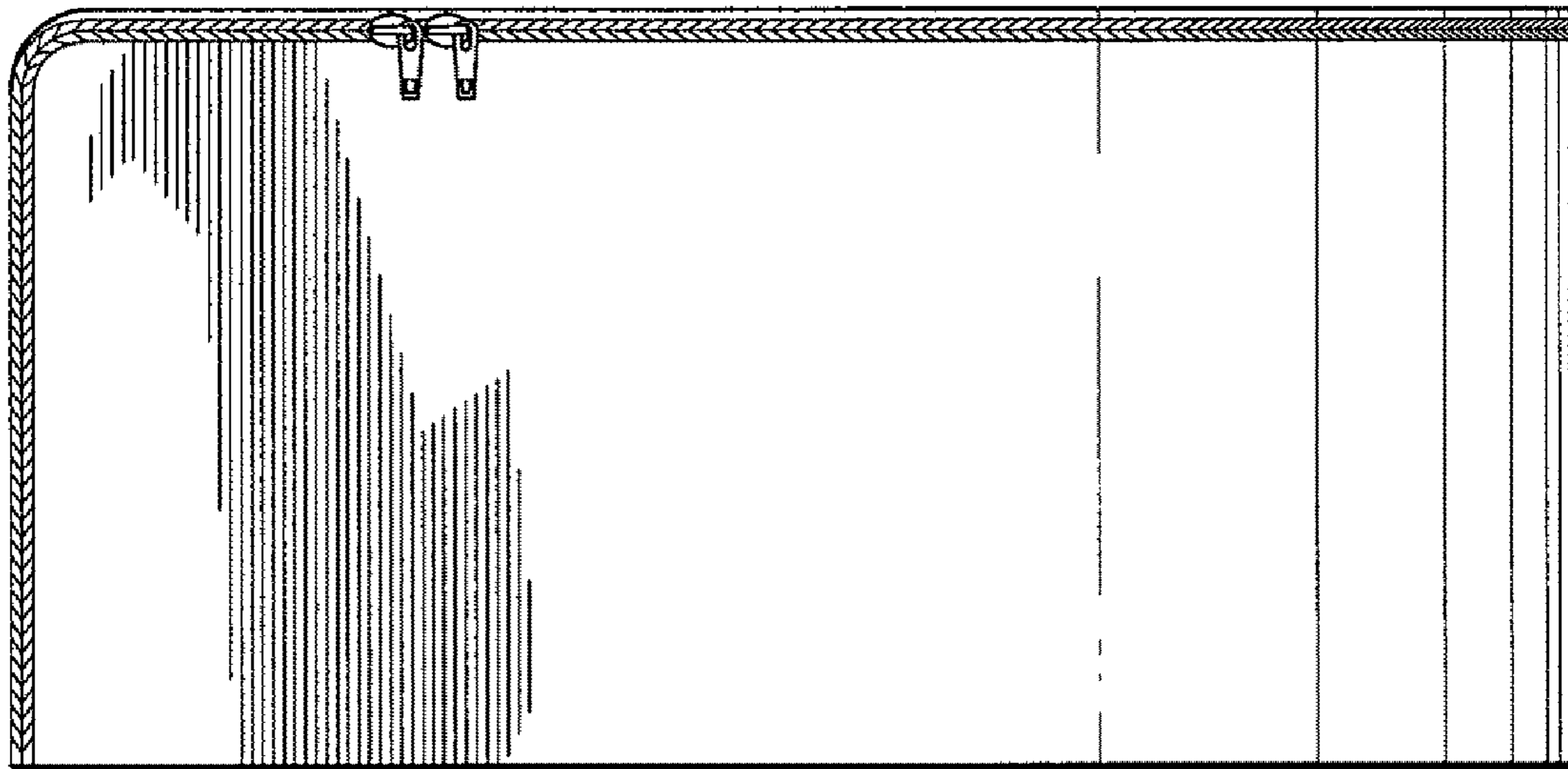


FIG. 2

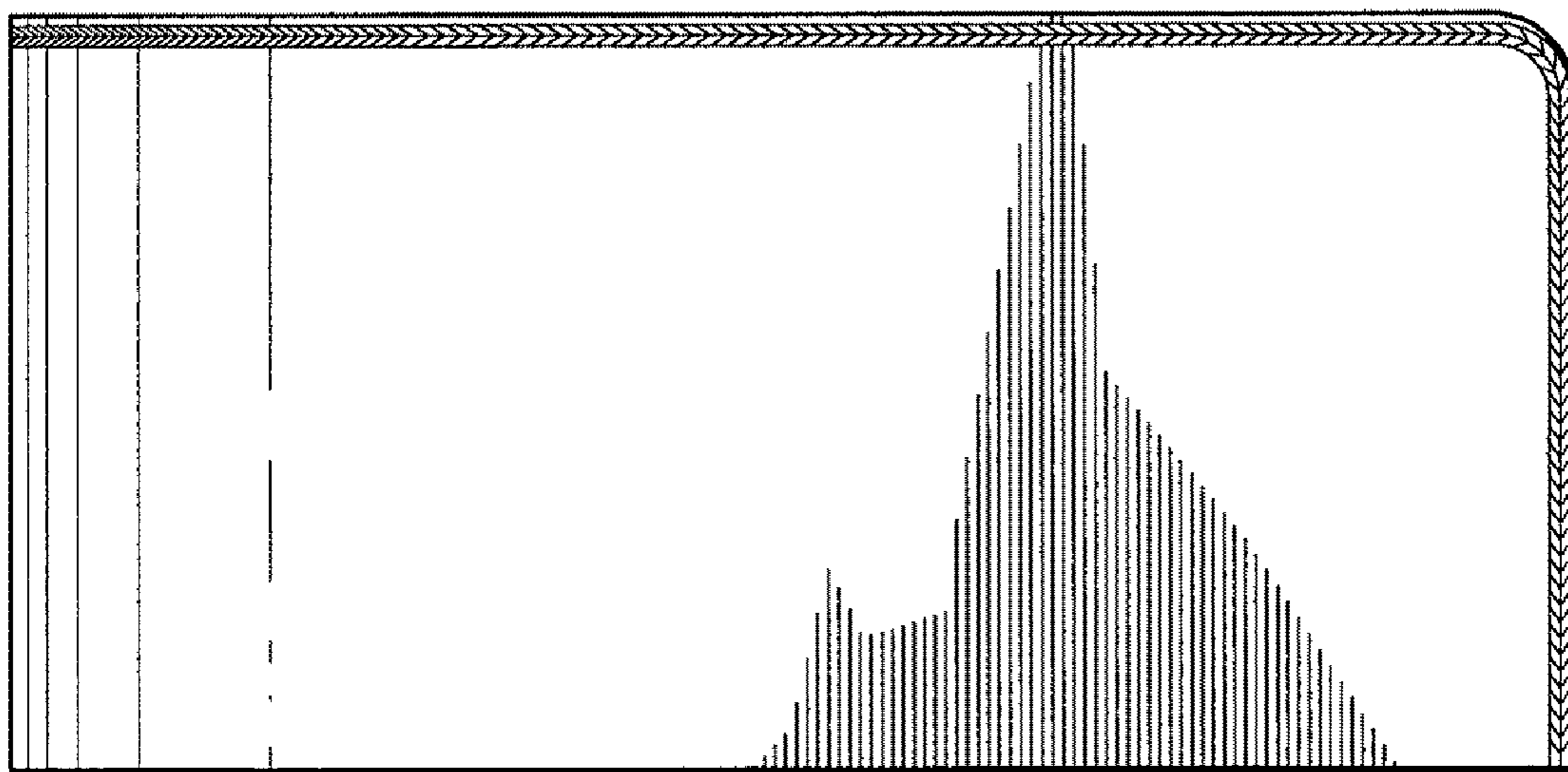


FIG. 3

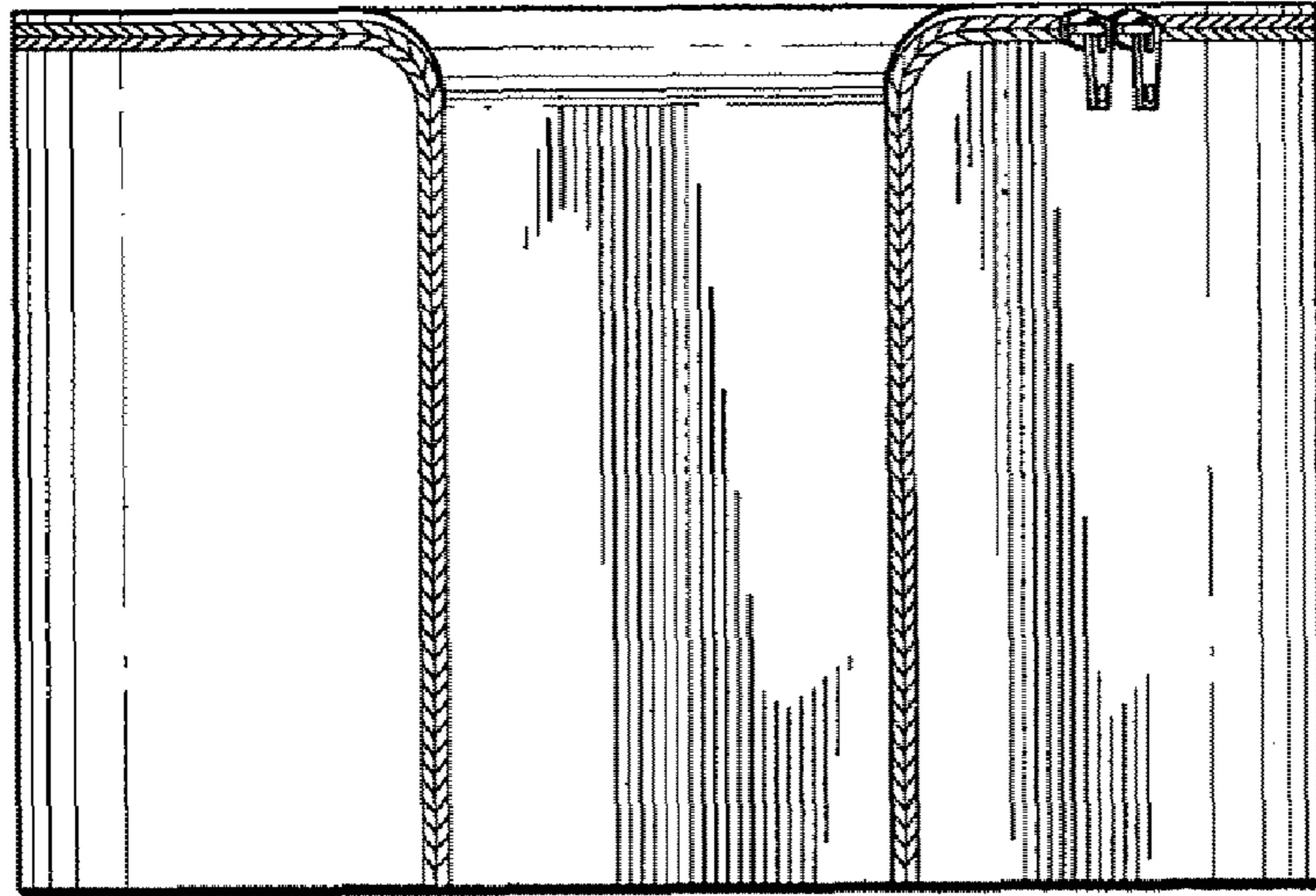


FIG. 4

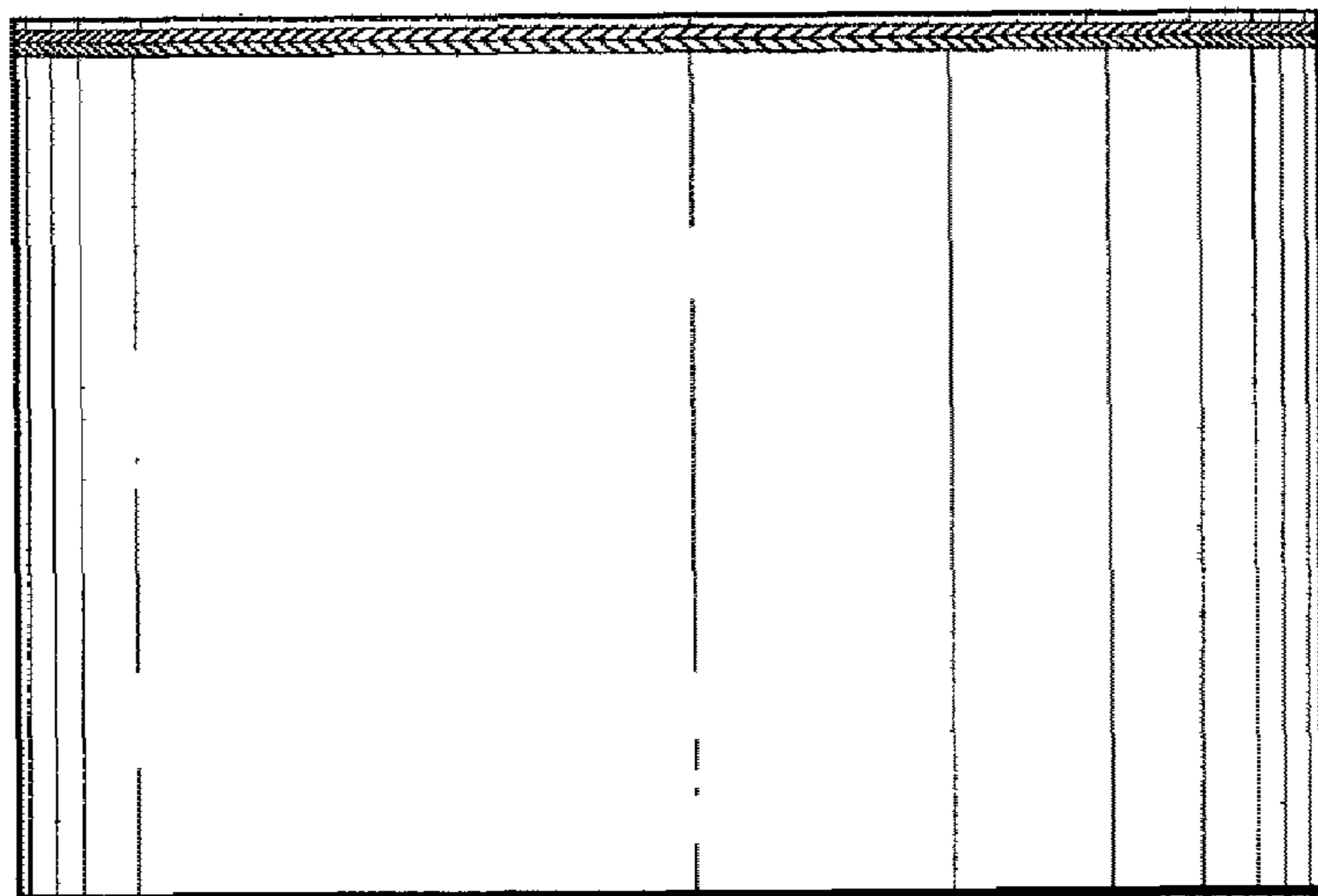


FIG. 5

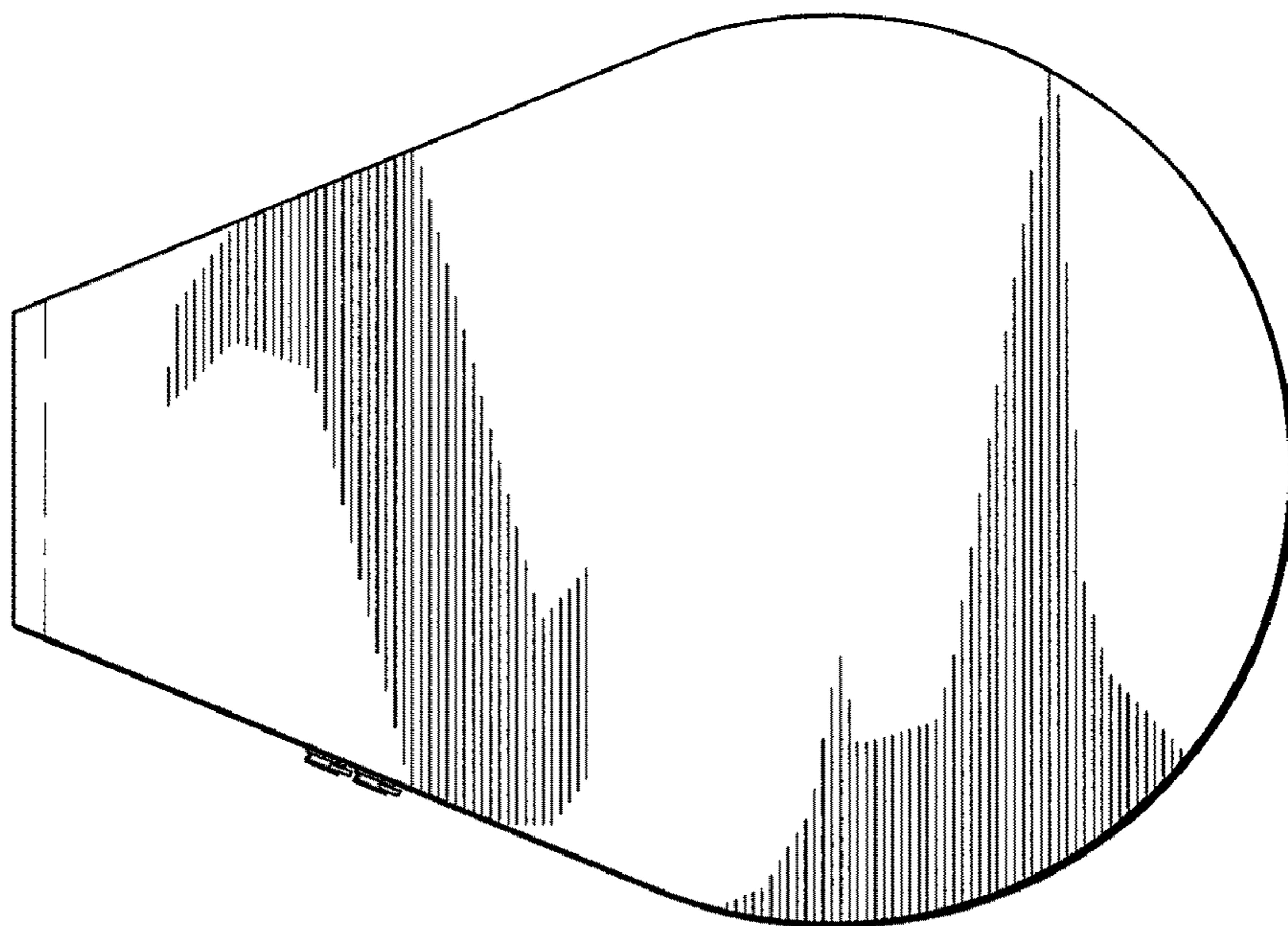


FIG. 6

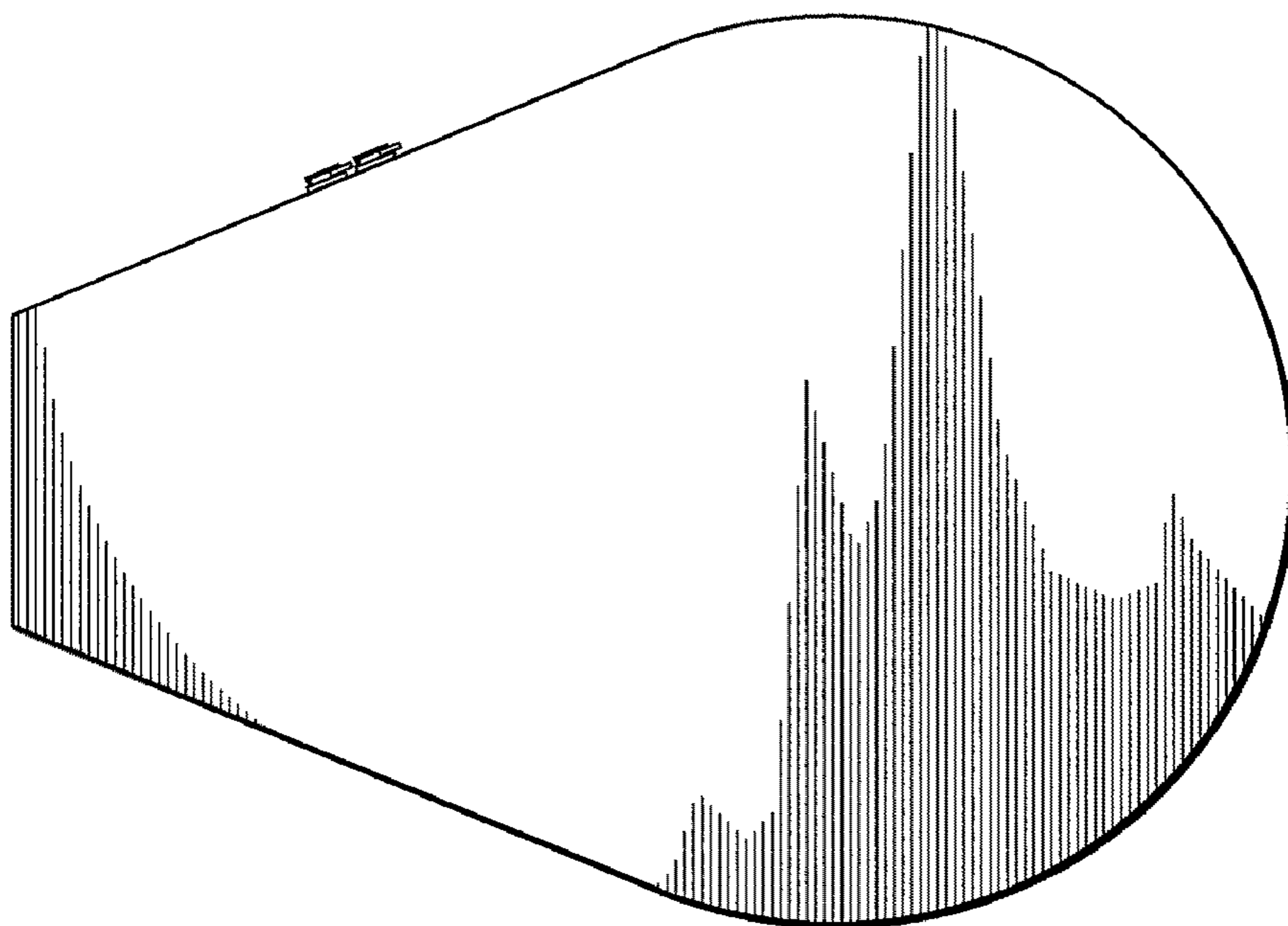


FIG. 7