



US00D613939S

(12) **United States Design Patent**
Madeley

(10) **Patent No.:** **US D613,939 S**

(45) **Date of Patent:** **** Apr. 20, 2010**

(54) **SPOOL CAP AND THREAD BOBBIN HOLDER COMBINED**

7,100,856 B2 9/2006 Murphy
D562,543 S * 2/2008 Van Blarcom D3/23
2007/0084954 A1 4/2007 Lyman

(76) Inventor: **Suzann Madeley**, 4505 Trail West Dr.,
Austin, TX (US) 78735

* cited by examiner

(**) Term: **14 Years**

Primary Examiner—T. Chase Nelson

Assistant Examiner—Anhdao Doan

(21) Appl. No.: **29/341,216**

(74) *Attorney, Agent, or Firm*—Meyertons, Hood, Kivlin,
Kowert & Goetzel, P.C.; Eric B. Meyertons

(22) Filed: **Jul. 31, 2009**

(57) **CLAIM**

(51) **LOC (9) Cl.** **02-07**

The ornamental design for a spool cap and thread bobbin holder, combined as shown and described.

(52) **U.S. Cl.** **D3/24**

(58) **Field of Classification Search** D3/18-29;
D8/358, 359, 360.1; 223/106, 120; 242/118.5,
242/118.7, 129.7, 134, 588, 606

See application file for complete search history.

DESCRIPTION

FIG. 1 is a top perspective view of a spool cap and thread bobbin holder combined shown in condition of being assembled with a spool;

(56) **References Cited**

U.S. PATENT DOCUMENTS

D31,300	S *	8/1899	Garland	D3/24
1,783,339	A	12/1930	Mitchell		
2,458,898	A	3/1948	Addario		
3,811,608	A	5/1974	Olney		
3,854,673	A	12/1974	Manning		
D236,808	S *	9/1975	Hardy	D3/23
D244,808	S *	6/1977	Ubermuth	D3/24
D250,338	S *	11/1978	LaPierre	D15/78
D281,831	S *	12/1985	White	D3/23
4,997,143	A	3/1991	Grice		
D319,537	S *	9/1991	Gott	D3/24
D337,431	S *	7/1993	Tong	D3/24
D415,887	S *	11/1999	Chen	D3/24
5,975,458	A *	11/1999	Goldthreate	D3/23

FIG. 2 is a bottom perspective thereof;

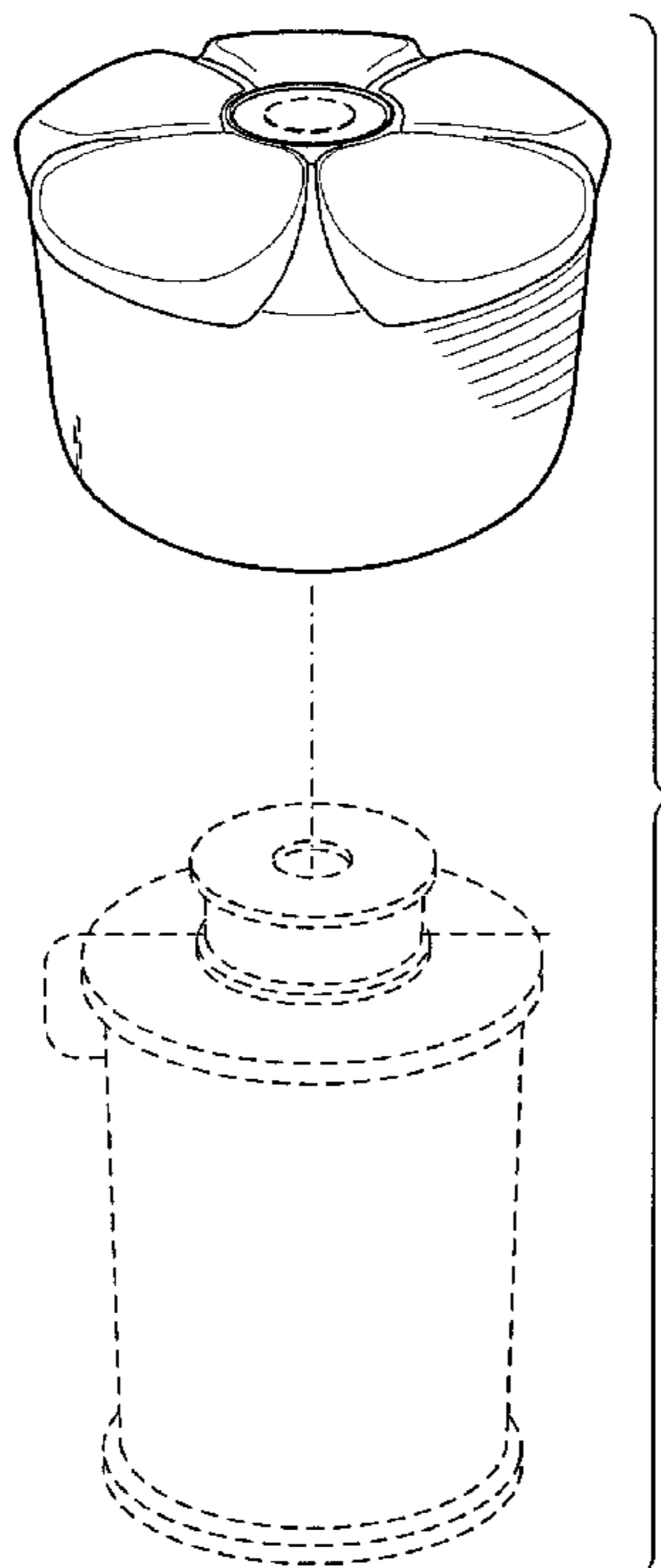
FIG. 3 is a top view thereof;

FIG. 4 is a side view thereof; and,

FIG. 5 is a bottom view thereof.

In FIG. 1, the broken lines connecting the centers of the separated components are included to show the order of assembly, and the broken lines depicting the spool represent unclaimed environment. The other broken lines in the drawings views are included for the purposes of illustrating portions of the spool cap and thread bobbin combined that form no part of the claimed design. None of the broken lines form a part of the claimed design.

1 Claim, 2 Drawing Sheets



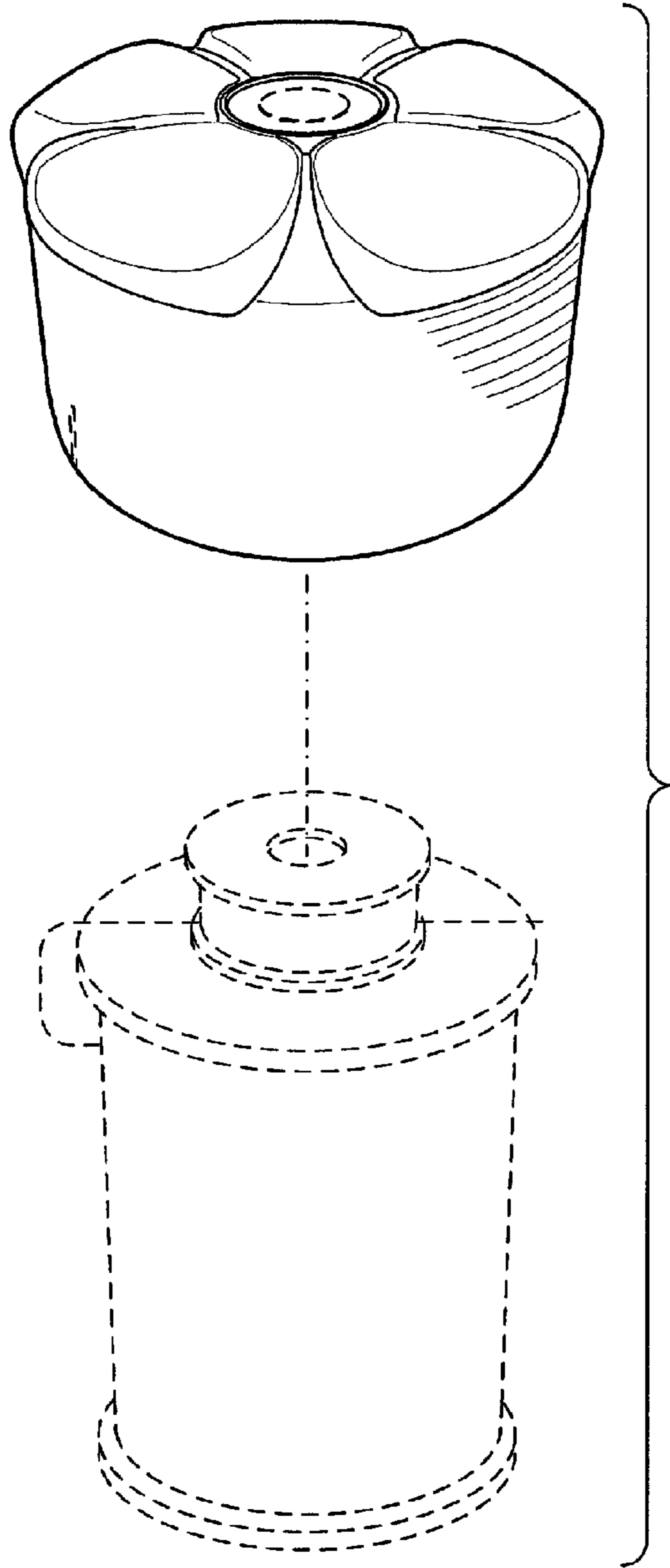


FIG. 1

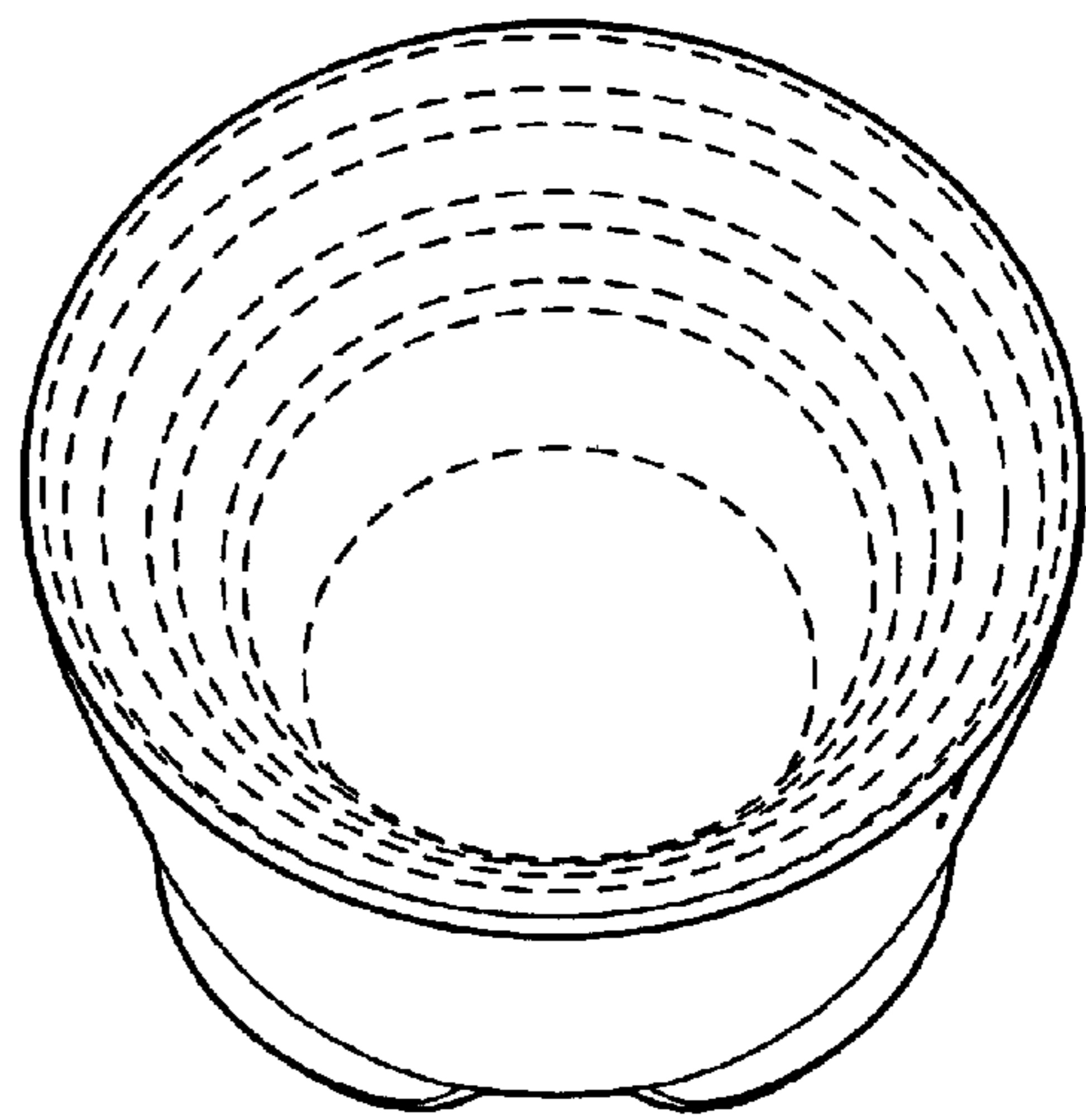


FIG. 2

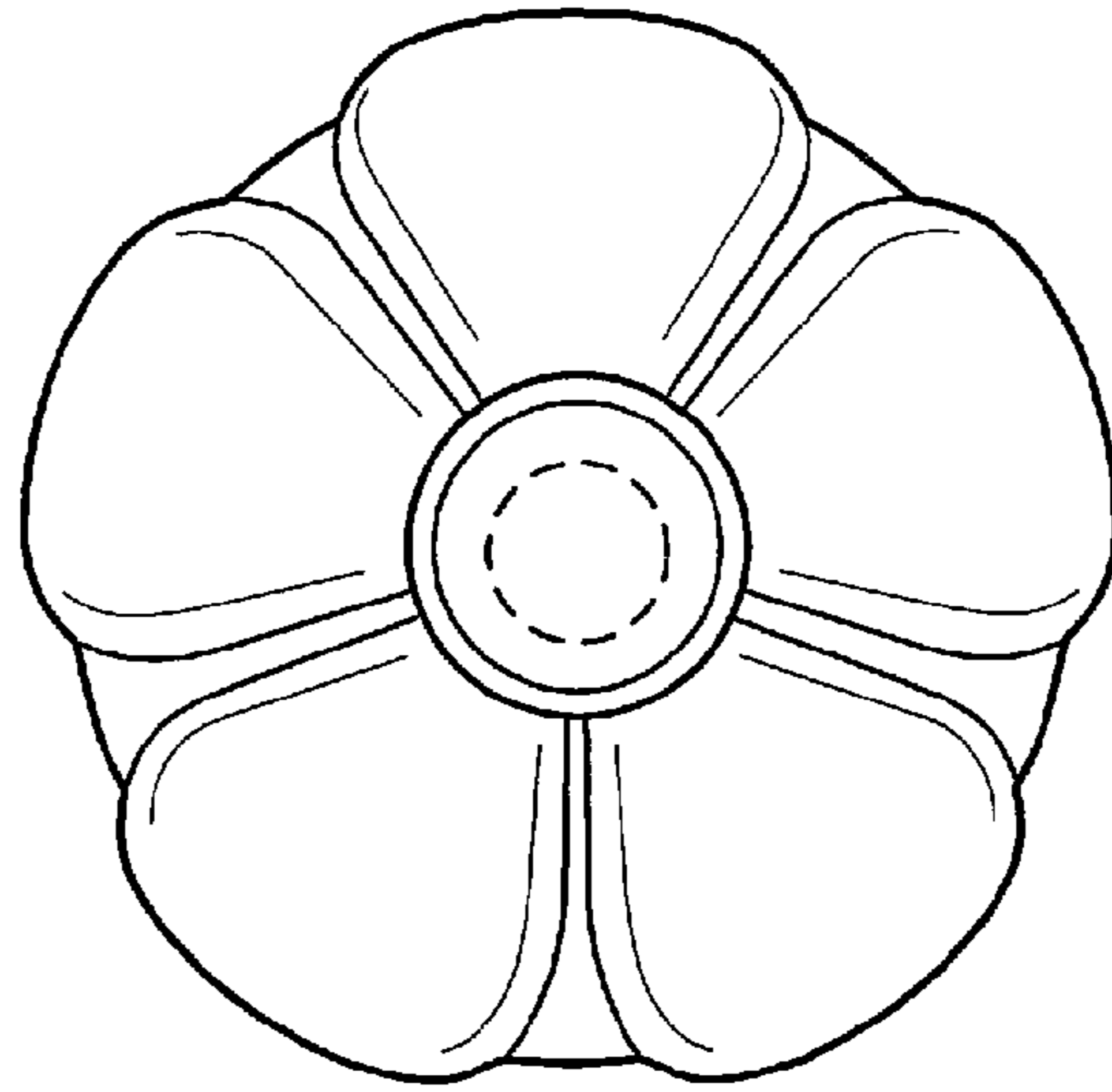


FIG. 3

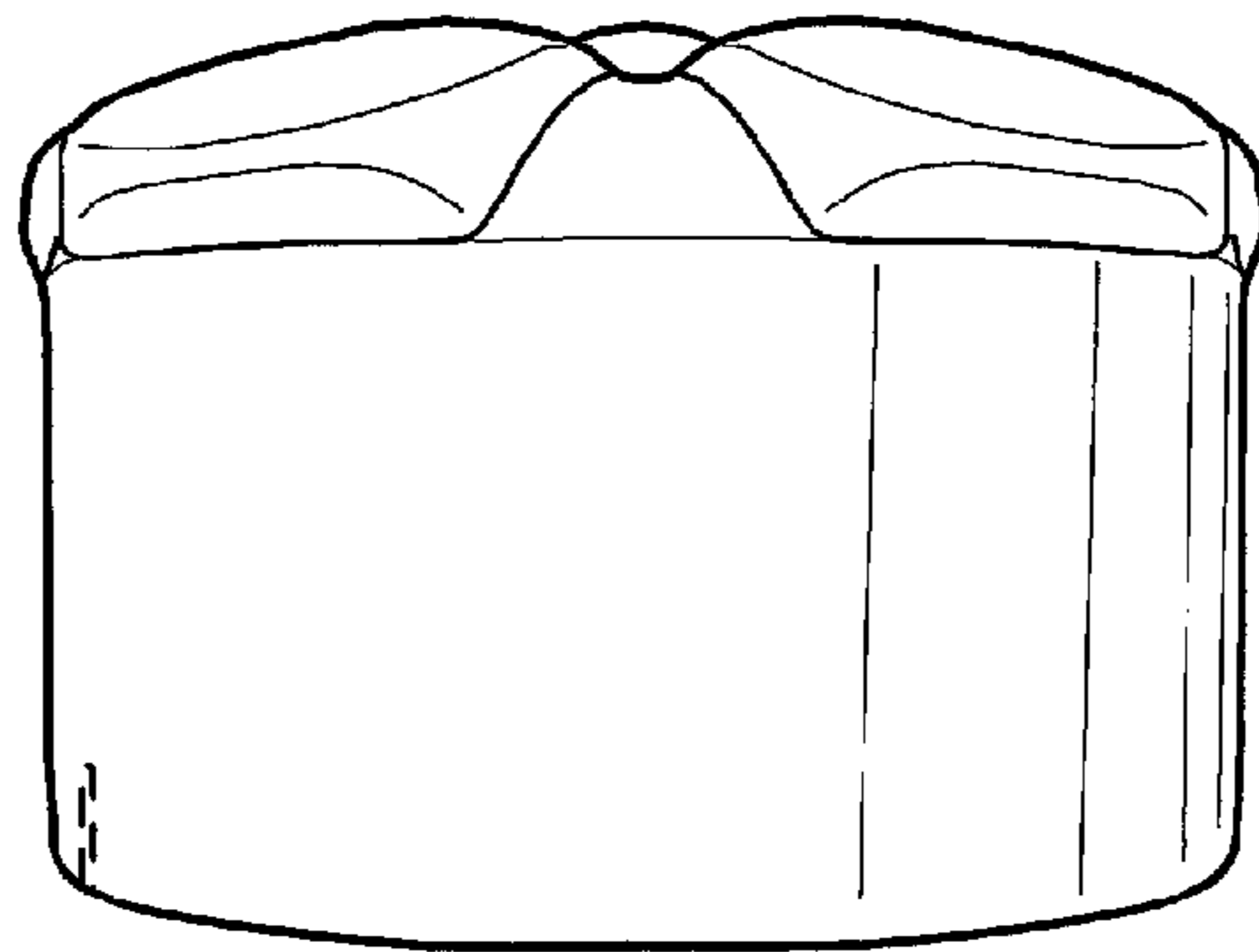


FIG. 4

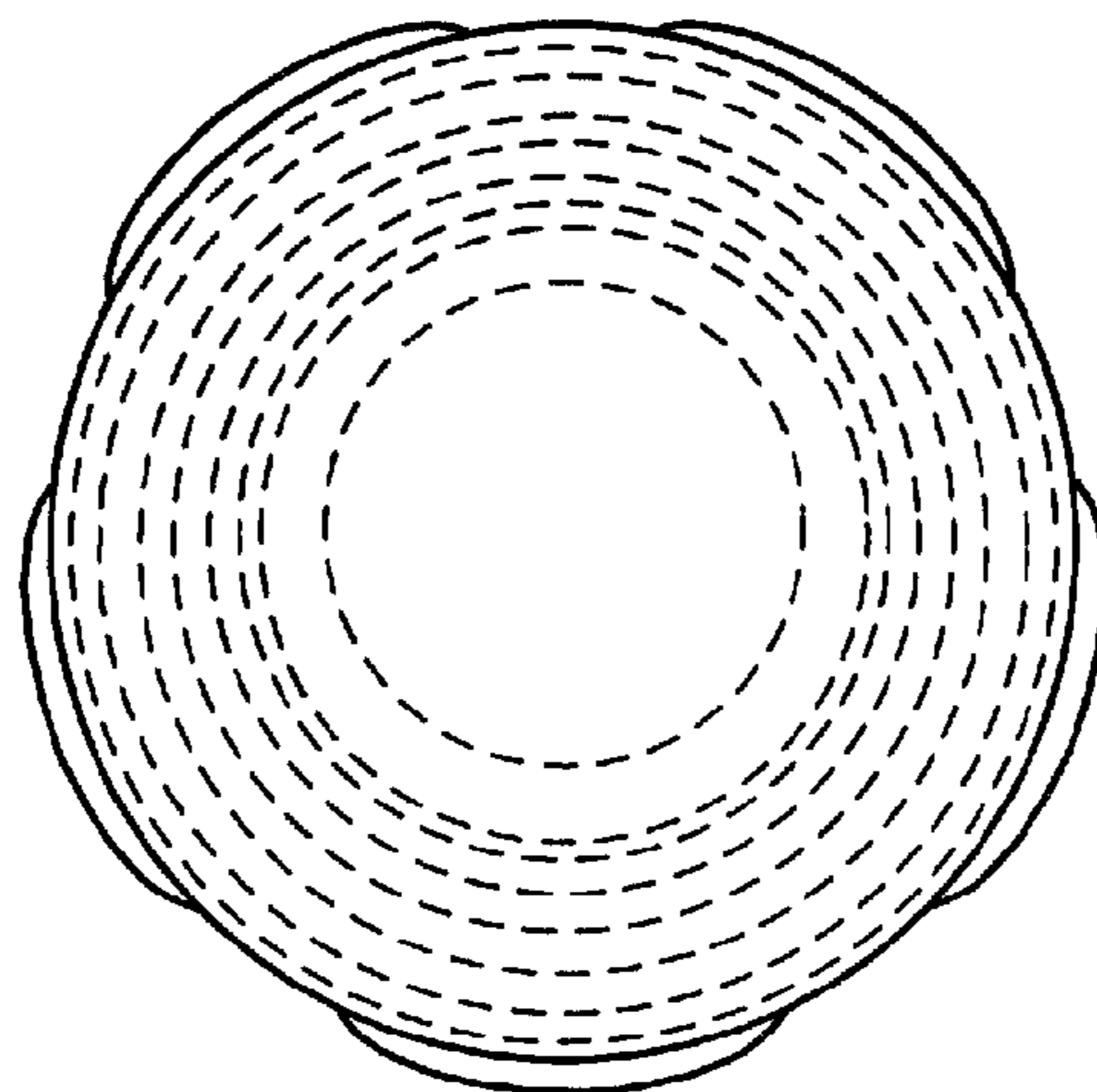


FIG. 5