



US00D613938S

(12) **United States Design Patent**
Alexander

(10) **Patent No.:** **US D613,938 S**

(45) **Date of Patent:** **** Apr. 20, 2010**

(54) **SHOELACE ATTACHMENT FOR HOLDING A VISIBLY DISTINCTIVE PANEL**

D550,430 S * 9/2007 Martin, Jr. D2/946
D556,441 S * 12/2007 Athouriste D2/976
D579,194 S * 10/2008 Caylor D2/976

(76) Inventor: **Raymond H. Alexander**, 7220 Gill Dale Rd., Richmond, VA (US) 23231

* cited by examiner

(**) Term: **14 Years**

Primary Examiner—Robert M Spear

Assistant Examiner—Rashida C McCoy

(74) *Attorney, Agent, or Firm*—Norman B. Rainer

(21) Appl. No.: **29/313,168**

(22) Filed: **Dec. 15, 2008**

(57) **CLAIM**

(51) **LOC (9) Cl.** **02-99**

(52) **U.S. Cl.** **D2/976**

(58) **Field of Classification Search** D2/896,
D2/946, 976; D11/86, 200; 36/51-58.5,
36/10.1, 136

The ornamental design for a shoelace attachment for holding a visibly distinctive panel, as shown and described.

See application file for complete search history.

DESCRIPTION

(56) **References Cited**

U.S. PATENT DOCUMENTS

1,333,466	A *	3/1920	Colby	2/245
D83,070	S *	1/1931	Smith	D2/976
D85,744	S *	12/1931	Gibbons	D2/976
2,887,795	A *	5/1959	Taicher	36/58.5
3,564,736	A *	2/1971	Cunningham	36/1
4,597,198	A	7/1986	Schweitzer		
5,195,783	A	3/1993	Lavoie		
5,649,342	A	7/1997	D'Andrade et al.		
D404,770	S *	1/1999	Meade et al.	D20/24
D406,177	S *	2/1999	Milroy	D20/27
6,247,214	B1	6/2001	Hyde		
6,477,754	B1	11/2002	Alexander		
D548,432	S *	8/2007	Martin	D2/946

FIG. 1 is a front and side perspective view of a shoelace attachment for holding a visibly distinctive panel, showing my new design in use attached to shoelaces;

FIG. 2 is a front perspective view thereof;

FIG. 3 is a side view thereof, the unshown opposite side being of identical appearance;

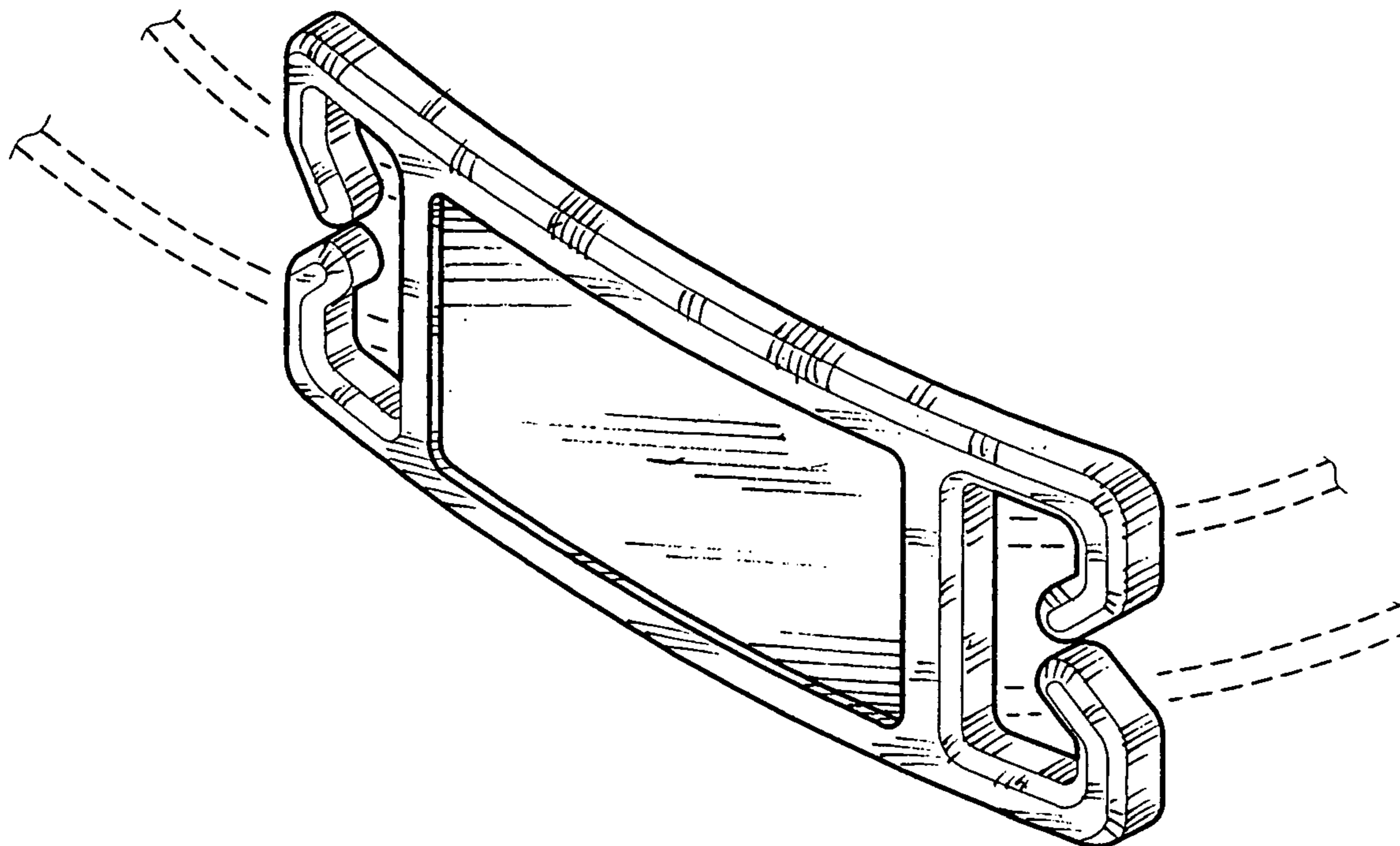
FIG. 4 is a front view thereof;

FIG. 5 is a top view thereof, the unshown bottom view being of identical appearance; and,

FIG. 6 is an exploded front perspective view thereof showing the interaction between the shoelace attachment and visibly distinctive panel.

The broken line showing of the panel is included for the purpose of illustrating environmental structure and forms no part of the claimed design.

1 Claim, 3 Drawing Sheets



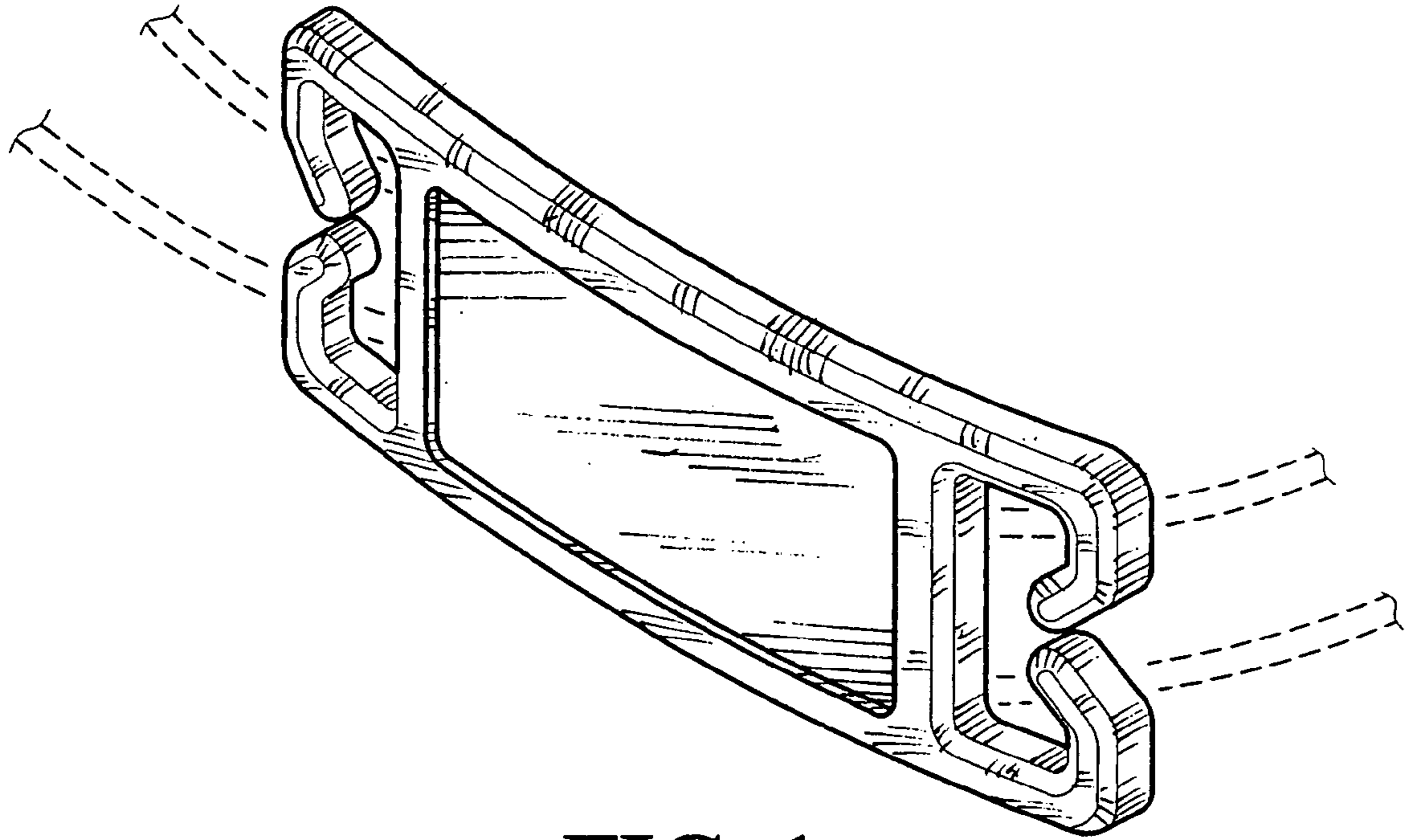


FIG. 1

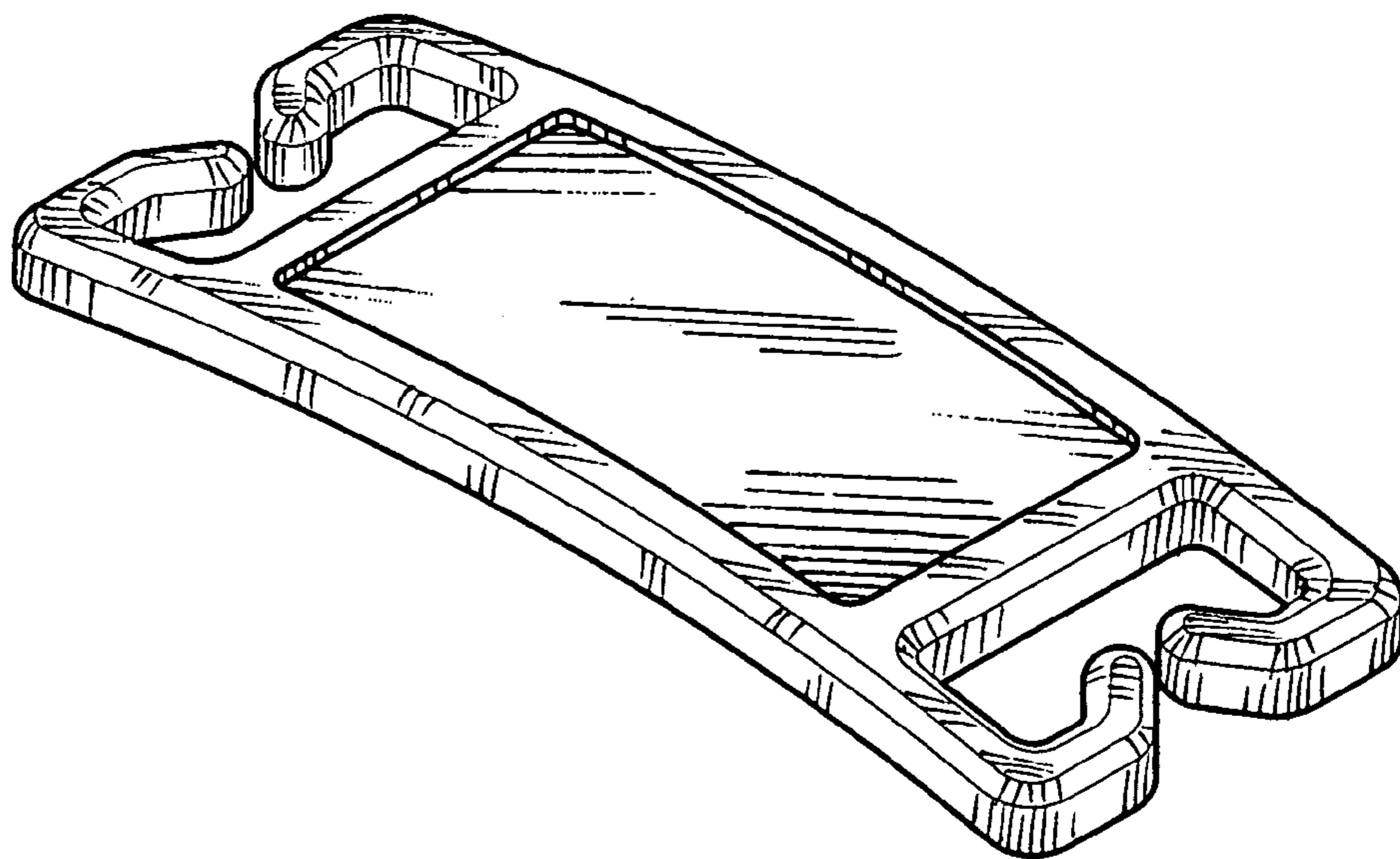


FIG. 2

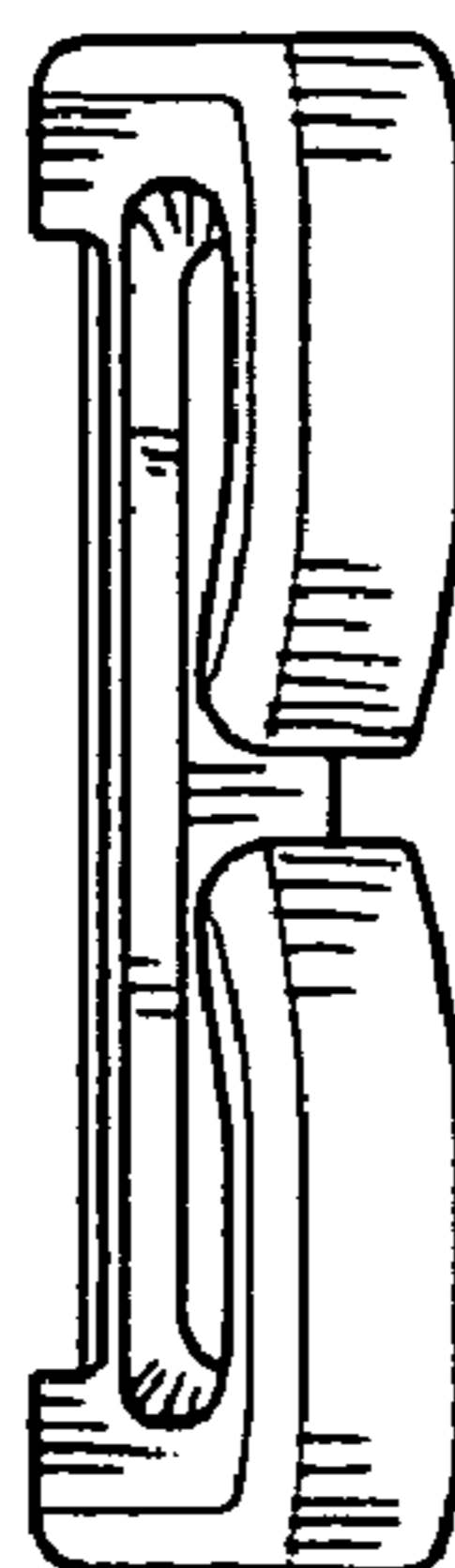


FIG. 3

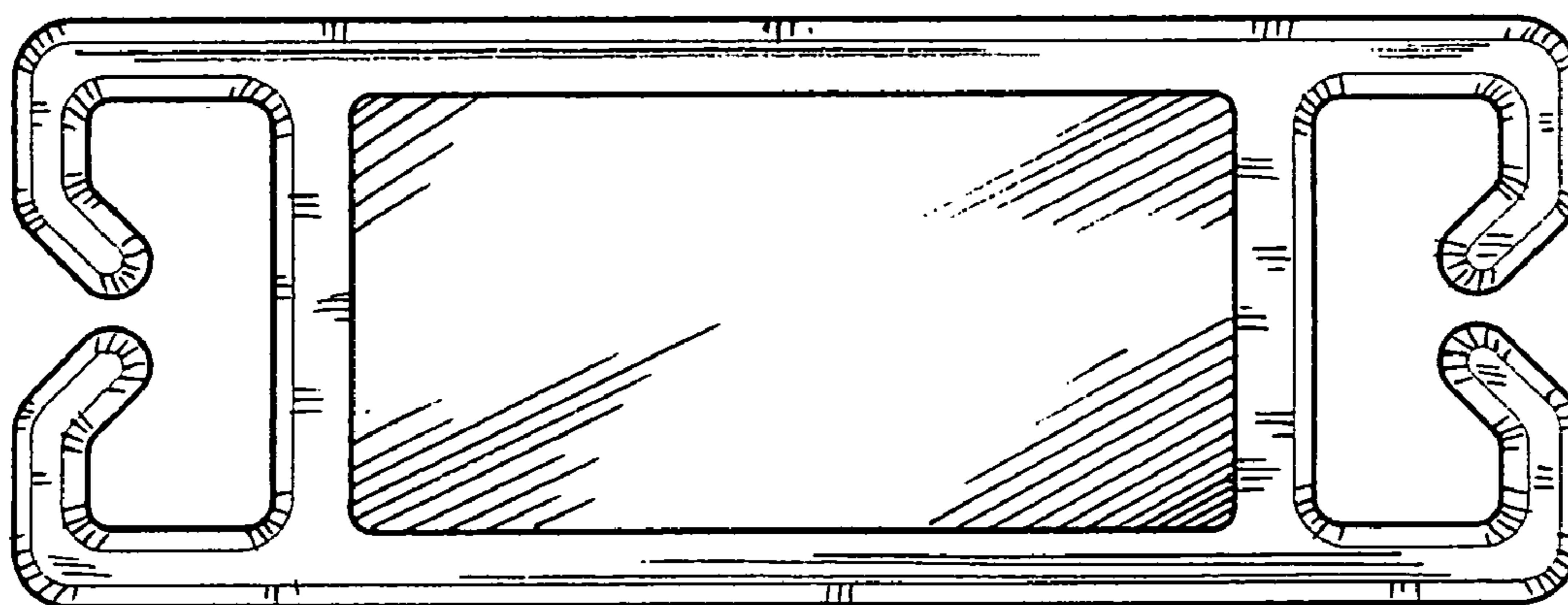


FIG. 4

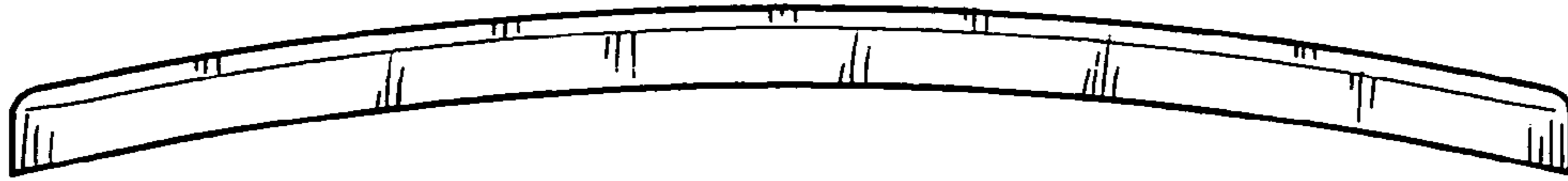


FIG. 5

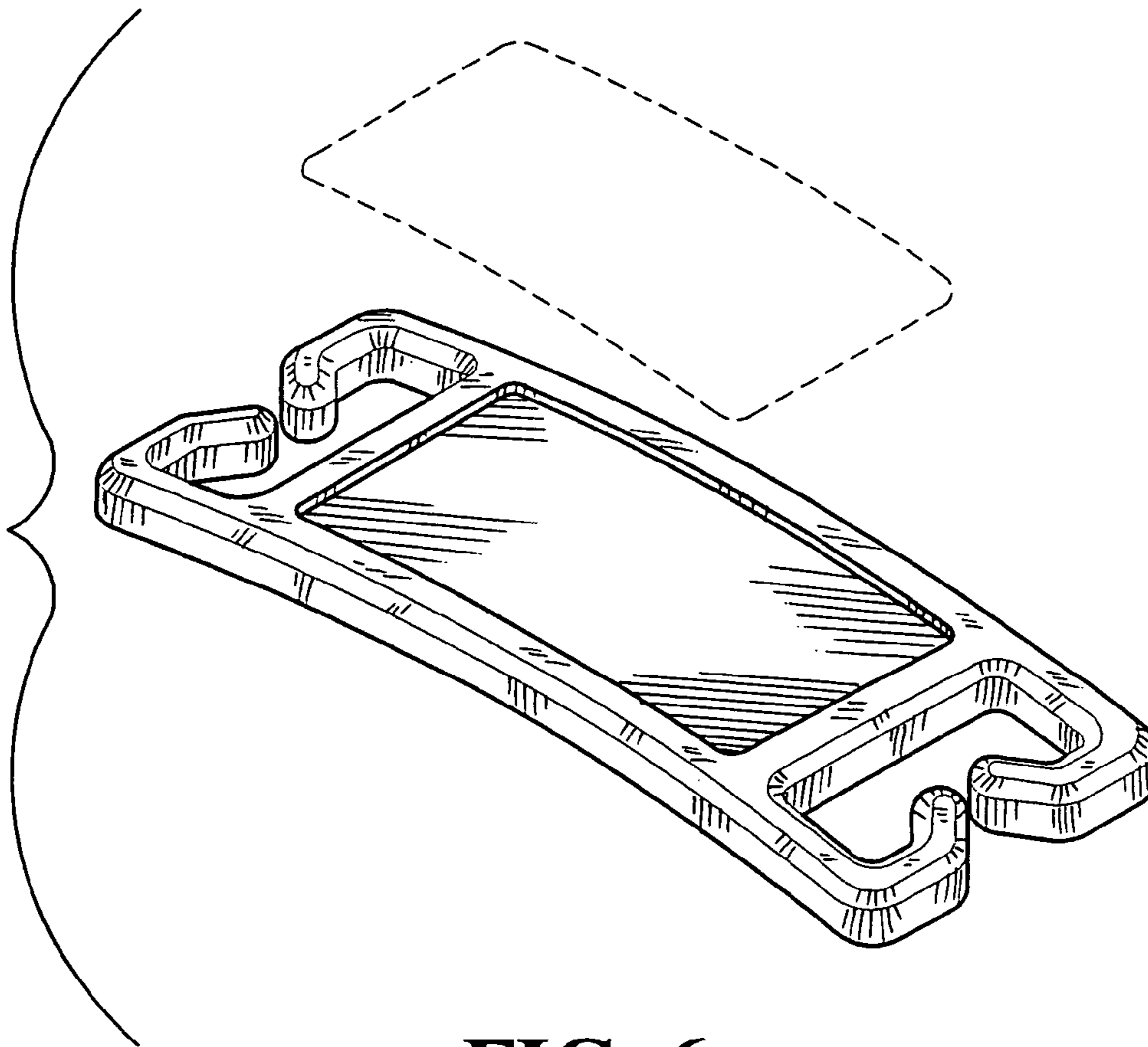


FIG. 6