



US00D613930S

(12) **United States Design Patent**
Poag

(10) **Patent No.:** **US D613,930 S**
(45) **Date of Patent:** **** Apr. 20, 2010**

(54) **REVERSIBLE VISOR**

(76) Inventor: **Roger D. Poag**, 53 Tanglewood Ct.,
Great Falls, SC (US) 29055

(**) Term: **14 Years**

(21) Appl. No.: **29/261,931**

(22) Filed: **Jun. 22, 2006**

(51) **LOC (9) Cl.** **02-03**

(52) **U.S. Cl.** **D2/876**

(58) **Field of Classification Search** D2/865,
D2/866, 871, 872, 873, 874, 875, 876, 877,
D2/878, 879, 880, 881, 882, 883, 884, 886,
D2/888, 891, 893; 2/171, 181, 181.2, 181.4,
2/181.6, 181.8, 182.1, 182.2, 182.3, 182.4,
2/182.5, 182.6, 182.7, 182.8, 183, 184, 209.11,
2/209.12, 209.13, 175.1, 195.1, 195.2, 195.3,
2/195.4

See application file for complete search history.

(56) **References Cited**

U.S. PATENT DOCUMENTS

D20,441 S *	1/1891	Brahadi	D2/888
D77,666 S *	2/1929	Bender	D2/876
2,294,654 A *	9/1942	Cooper	2/181
2,617,111 A *	11/1952	Lev	2/195.5
2,994,090 A *	8/1961	Ostwald	2/182.1
4,547,903 A *	10/1985	Brown et al.	2/12
D316,774 S *	5/1991	Falk	D2/875
D374,331 S *	10/1996	Duggan	D2/872
6,199,213 B1 *	3/2001	Whang	2/181
D457,712 S *	5/2002	Glaser	D2/869
D459,059 S *	6/2002	Park	D2/876
D459,860 S *	7/2002	Bussell	D2/869
D482,185 S *	11/2003	Park	D2/876
D492,092 S *	6/2004	Park	D2/876
D496,146 S *	9/2004	Appleberry	D2/876

6,810,533 B1 *	11/2004	Nahabedian et al.	2/209.3
D503,261 S *	3/2005	Pedersen	D2/882
D514,282 S *	2/2006	Broome	D2/876
D535,459 S *	1/2007	Cordes et al.	D2/876
D539,010 S *	3/2007	Folkes	D2/866
D557,477 S *	12/2007	Horton	D2/876
7,469,428 B2 *	12/2008	Brauner et al.	2/171
2003/0221234 A1 *	12/2003	Wang	2/12
2006/0107440 A1 *	5/2006	Keffer	2/175.1

* cited by examiner

Primary Examiner—Elizabeth A Albert

Assistant Examiner—Karen E Eldridge Powers

(57) **CLAIM**

I claim, the ornamental design for the reversible visor, as shown and described.

DESCRIPTION

FIG. 1 is a front elevational view of the reversible visor showing my new design;

FIG. 2 is a rear elevational view of the reversible visor thereof;

FIG. 3 is a left side elevational view of the reversible visor thereof;

FIG. 4 is a right side elevational view of the reversible visor thereof;

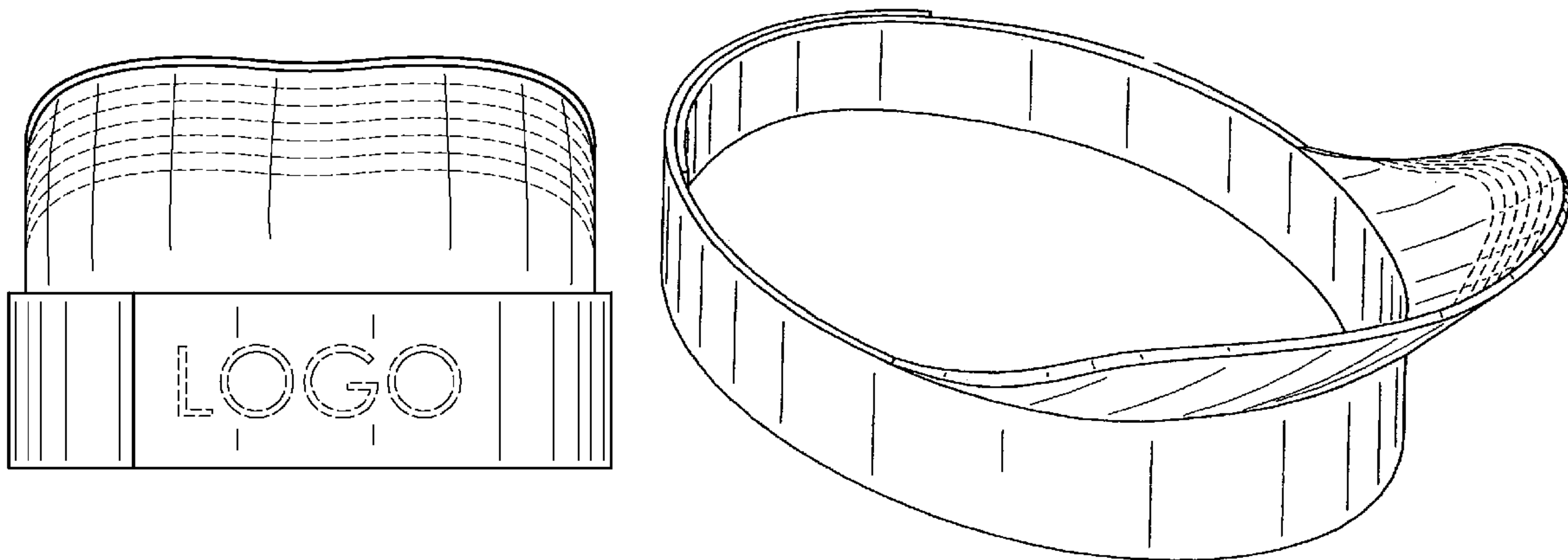
FIG. 5 is a top plan view of the reversible visor thereof;

FIG. 6 is a bottom plan view of the reversible visor thereof; and,

FIG. 7 is a perspective view of the reversible visor thereof.

The broken lines shown on the bill in FIGS. 1, 2, 5 and 7 are lines of stitching and form part of the claimed design. The word, "LOGO," shown in broken lines in the drawings is environmental matter and forms no part of the claimed design.

1 Claim, 4 Drawing Sheets



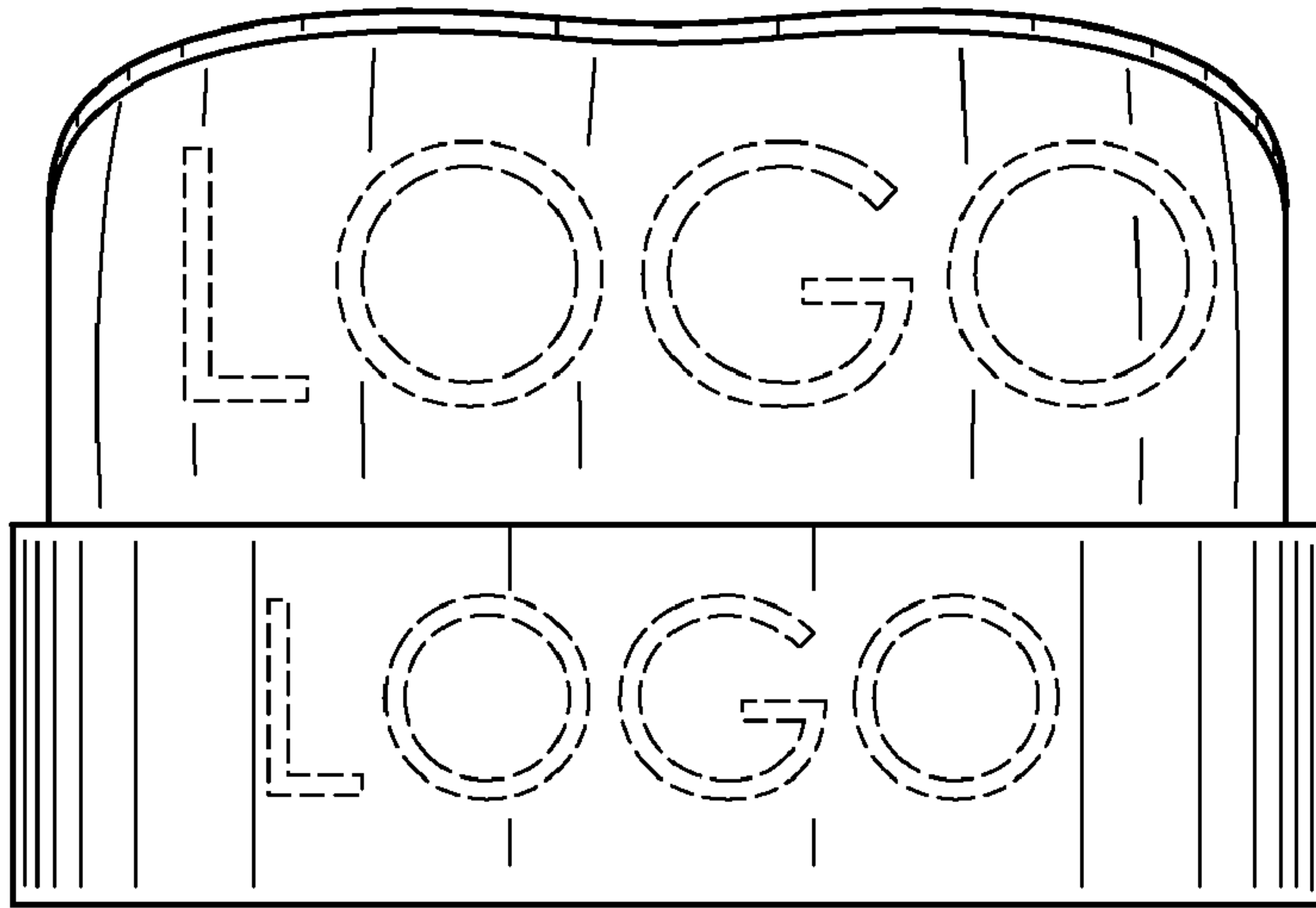


FIG. 1

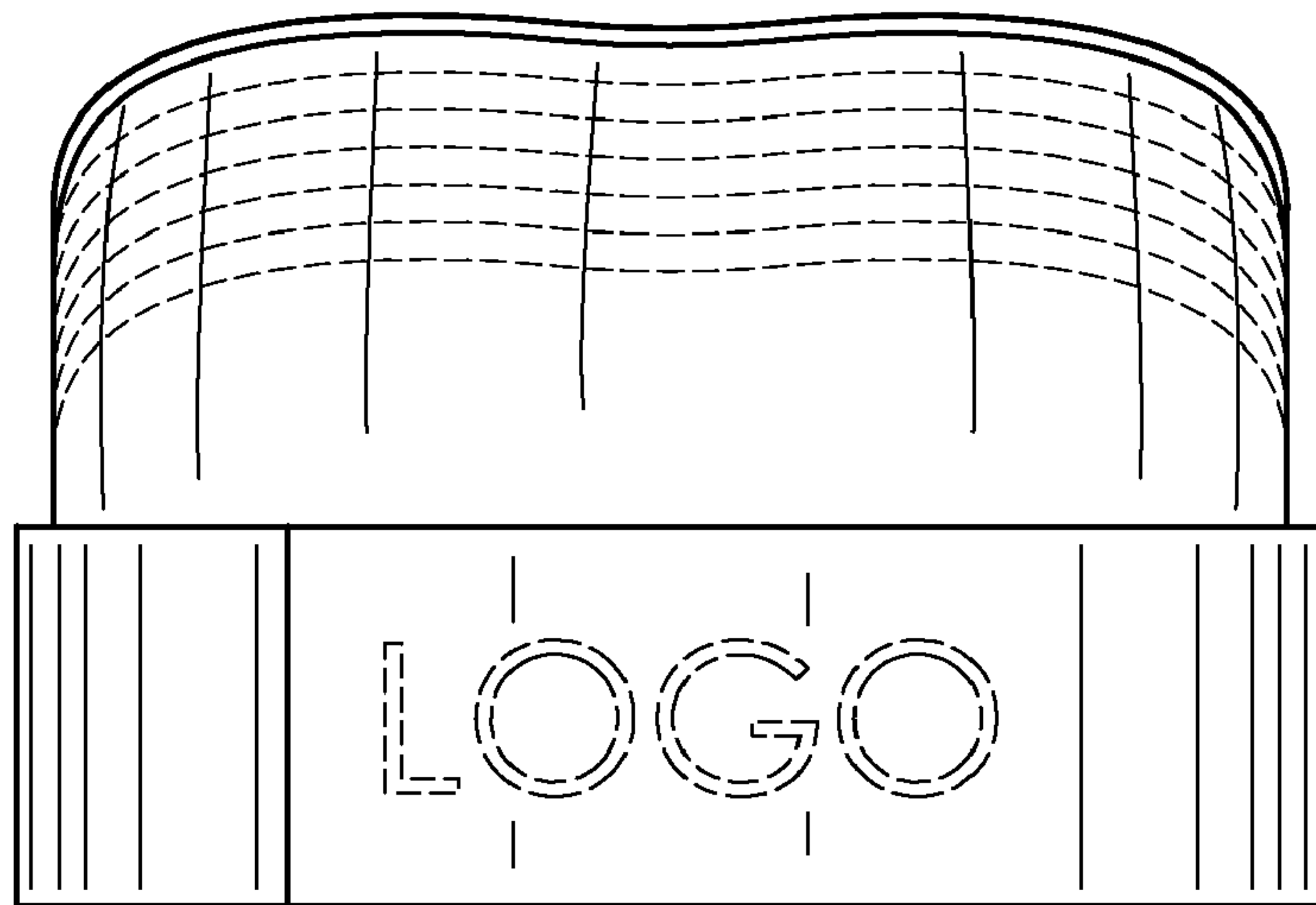


FIG. 2

FIG. 3

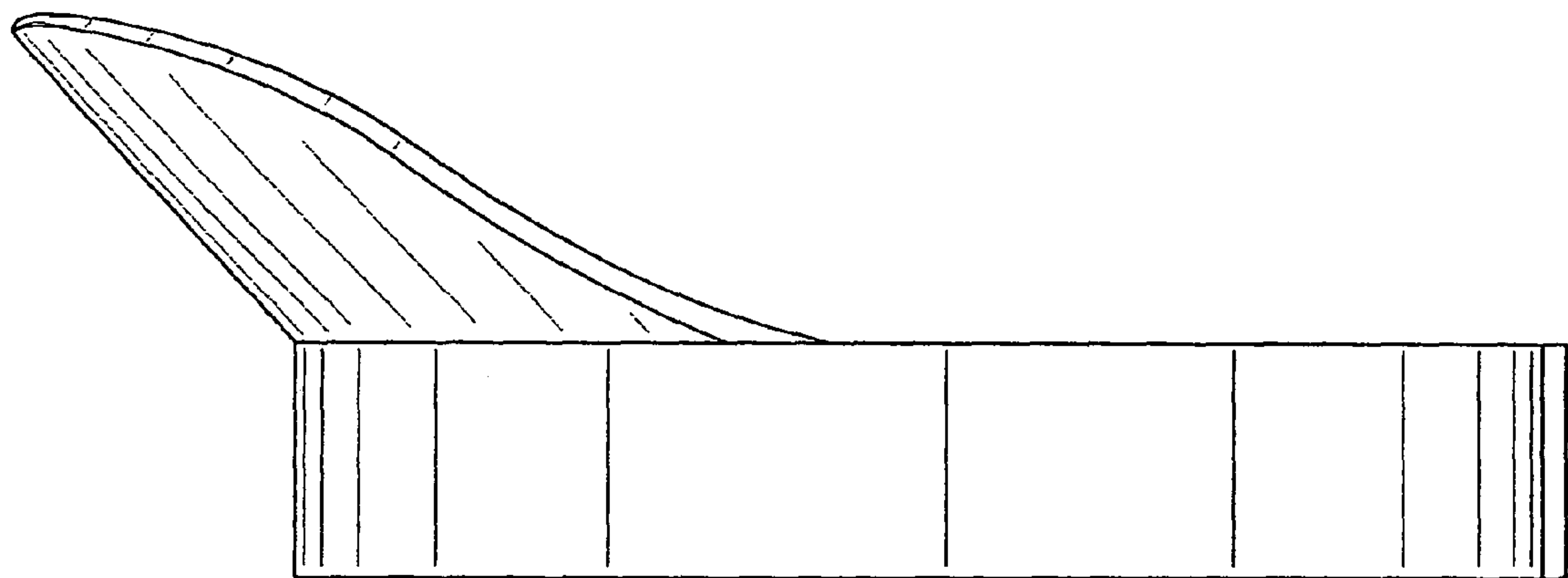
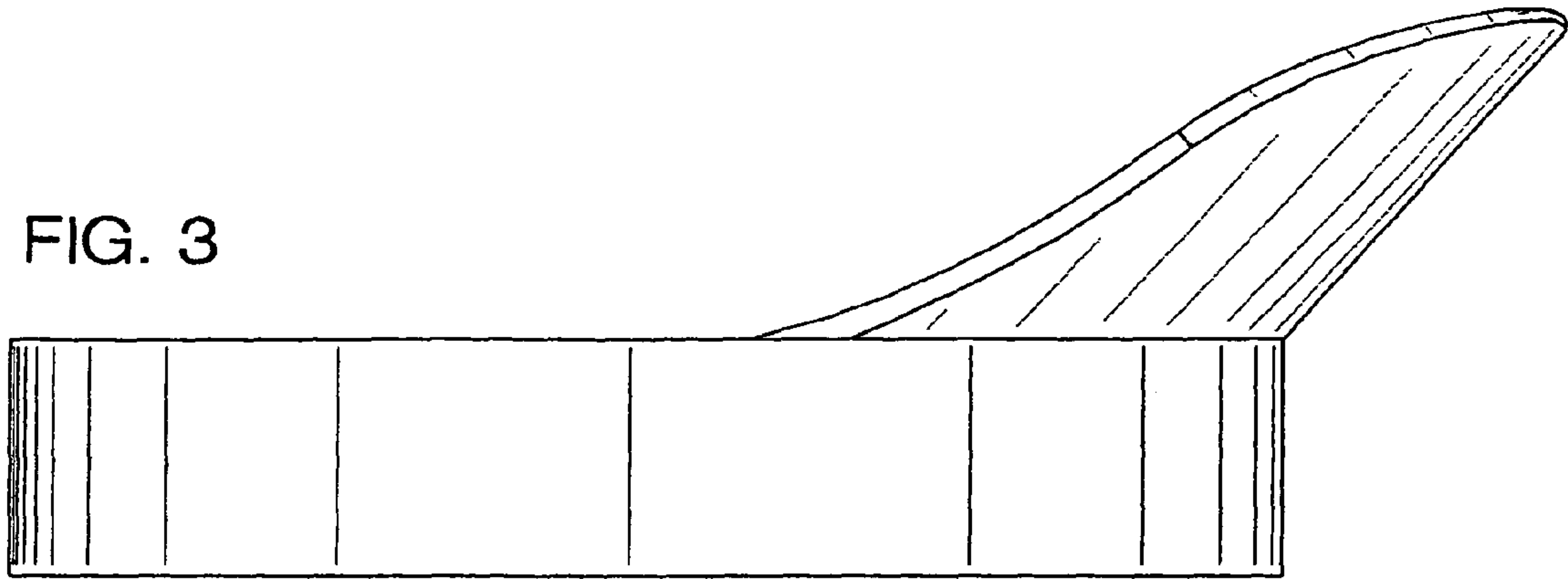


FIG. 4

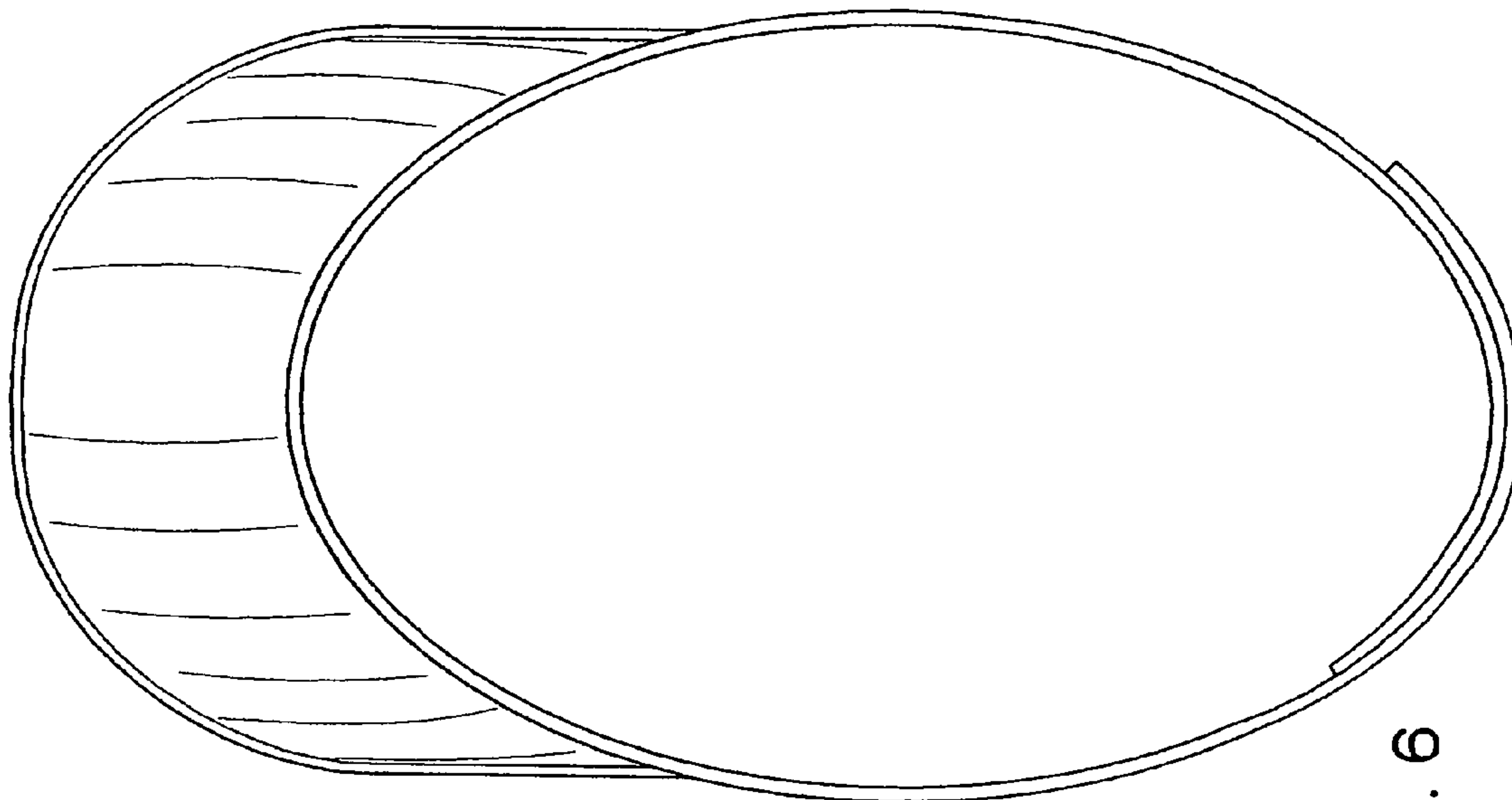


FIG. 6

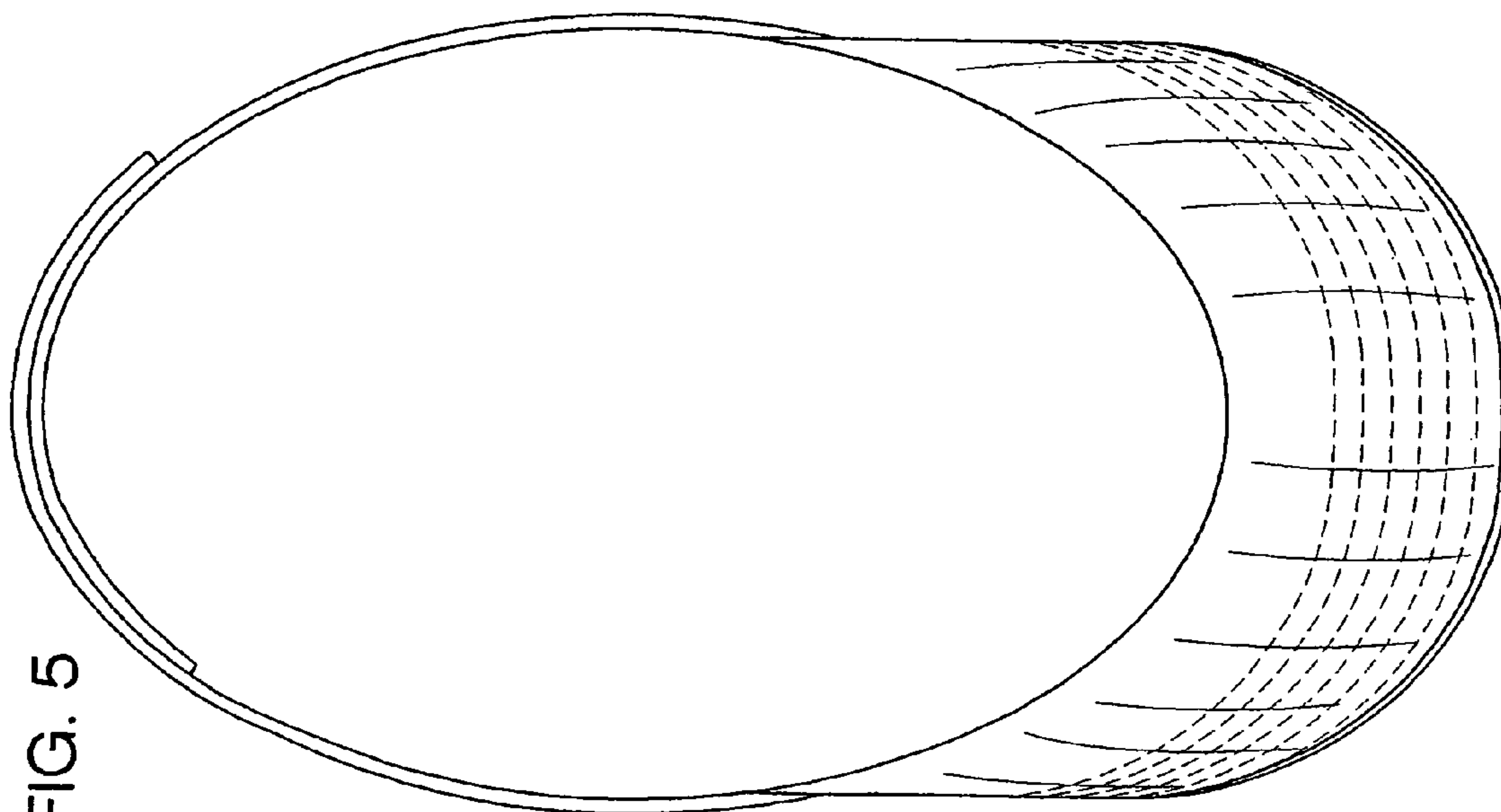


FIG. 5

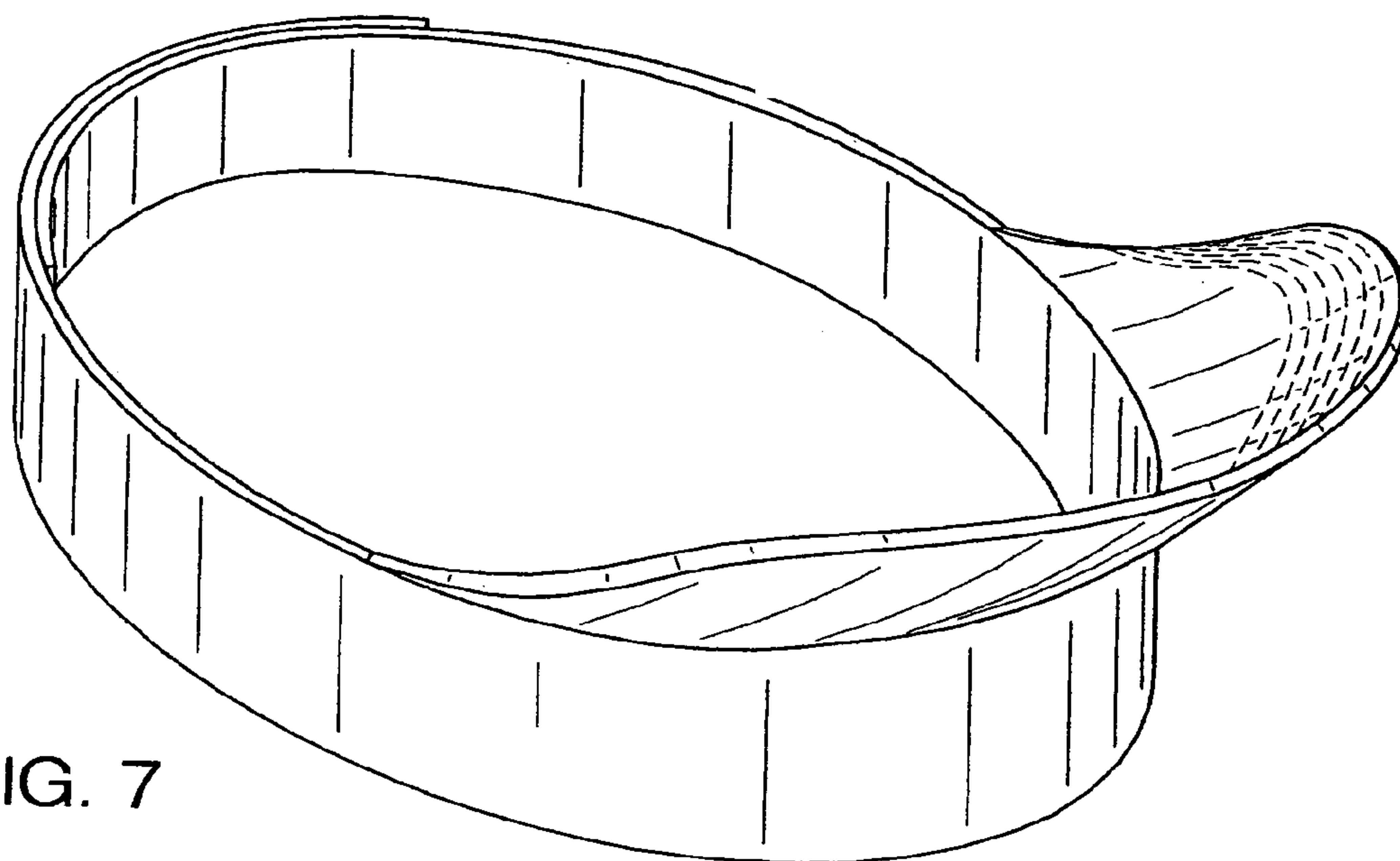


FIG. 7