



US00D613925S

(12) **United States Design Patent**
Chenkin

(10) **Patent No.:** **US D613,925 S**

(45) **Date of Patent:** **** Apr. 13, 2010**

(54) **RAIN COLLECTING BARREL**

(76) Inventor: **Barry Chenkin**, 554 N. Frederick Ave.,
#122, Gaithersburg, MD (US) 20877

(**) Term: **14 Years**

(21) Appl. No.: **29/330,450**

(22) Filed: **Jan. 7, 2009**

(51) **LOC (9) Cl.** **09-02**

(52) **U.S. Cl.** **D34/39; D23/202**

(58) **Field of Classification Search** D34/39,
D34/5, 6, 7, 9, 10, 11; D23/202, 200, 205;
220/908, 908.1, 565, 910

See application file for complete search history.

(56) **References Cited**

U.S. PATENT DOCUMENTS

D195,664 S *	7/1963	Wilson	D7/313
D239,505 S *	4/1976	Ward	D34/39
D295,108 S *	4/1988	Przytulla	D34/39
D335,744 S *	5/1993	Small et al.	D34/39
D349,944 S *	8/1994	Harris	D23/202
D374,959 S *	10/1996	Mull	D34/39
D395,118 S *	6/1998	Cramer et al.	D34/39
D454,467 S *	3/2002	Magermans et al.	D7/313

D526,110 S *	8/2006	Wentzel	D34/39
D542,885 S *	5/2007	Knackstedt	D23/202
D599,975 S *	9/2009	Magee	D34/39
D604,475 S *	11/2009	Bender et al.	D34/39
D605,375 S *	12/2009	Anderson et al.	D34/39

* cited by examiner

Primary Examiner—Cynthia E Ramirez

(74) *Attorney, Agent, or Firm*—Todd E. Rinner

(57) **CLAIM**

I claim the ornamental design for a rain collecting barrel, as shown.

DESCRIPTION

FIG. 1 is a front perspective view of a rain collecting barrel showing my new design;

FIG. 2 is a front view;

FIG. 3 is a right side view;

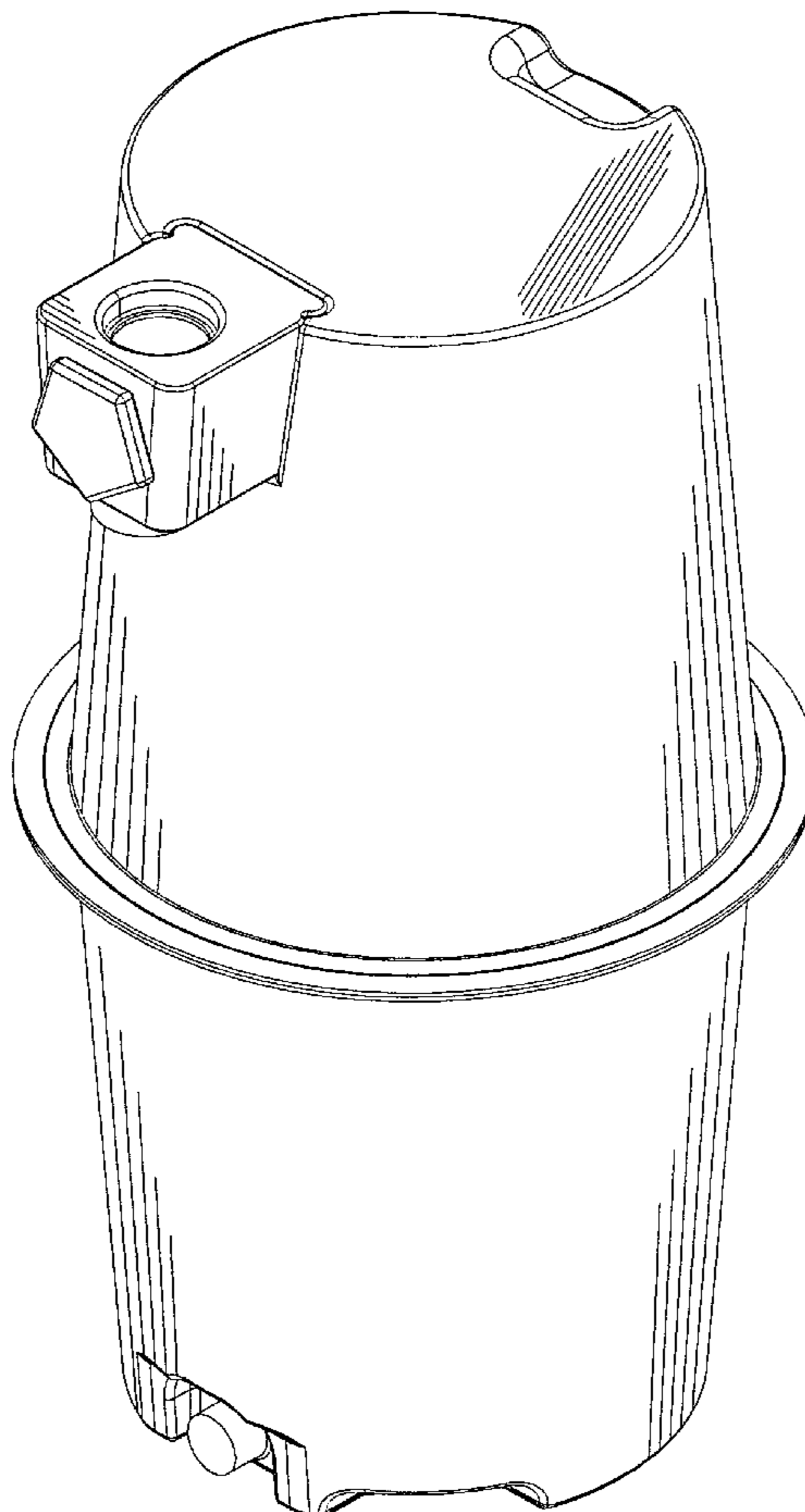
FIG. 4 is a rear view;

FIG. 5 is a left side view;

FIG. 6 is a top view; and,

FIG. 7 is a bottom view.

1 Claim, 7 Drawing Sheets



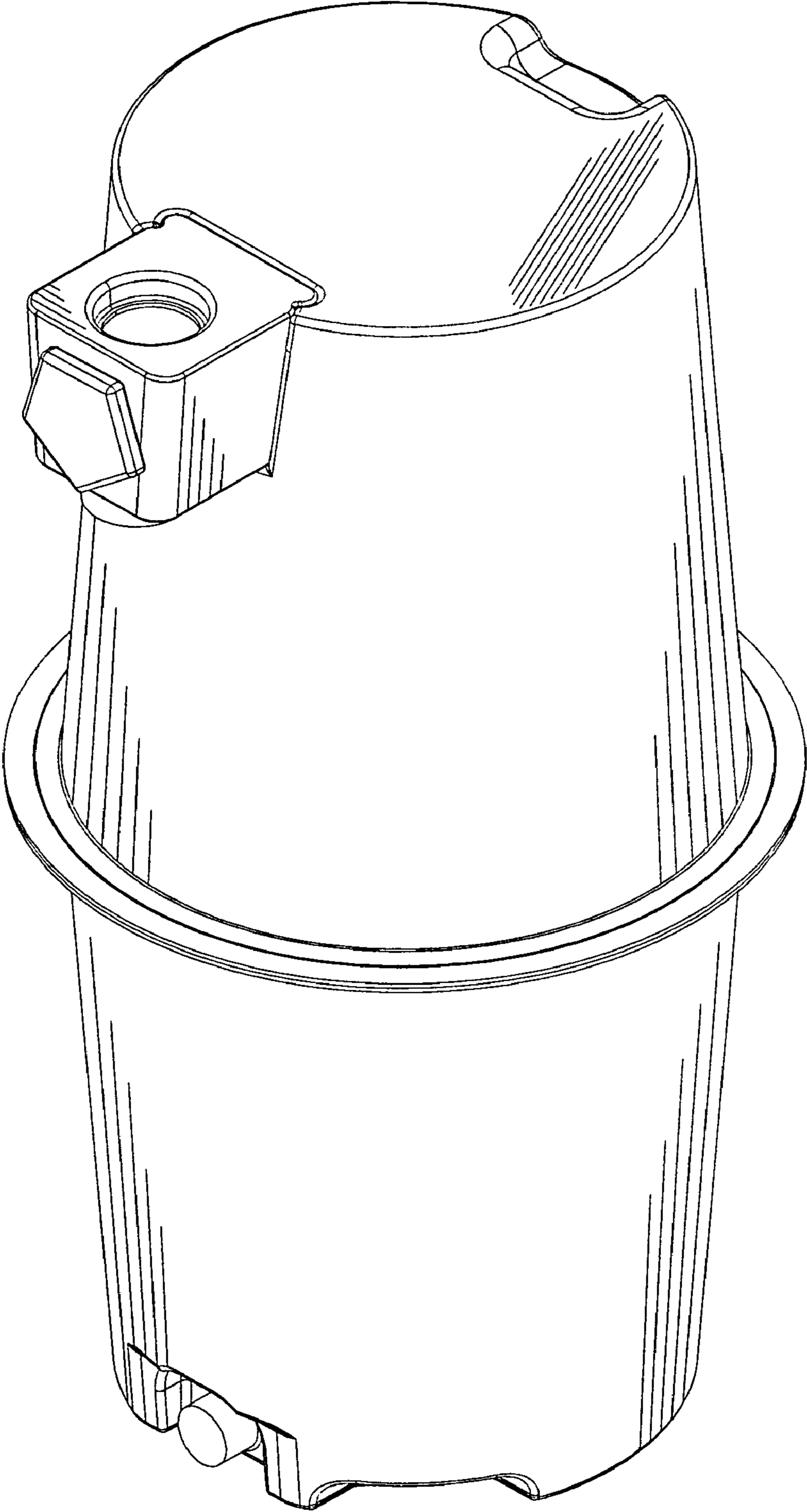


FIG. 1

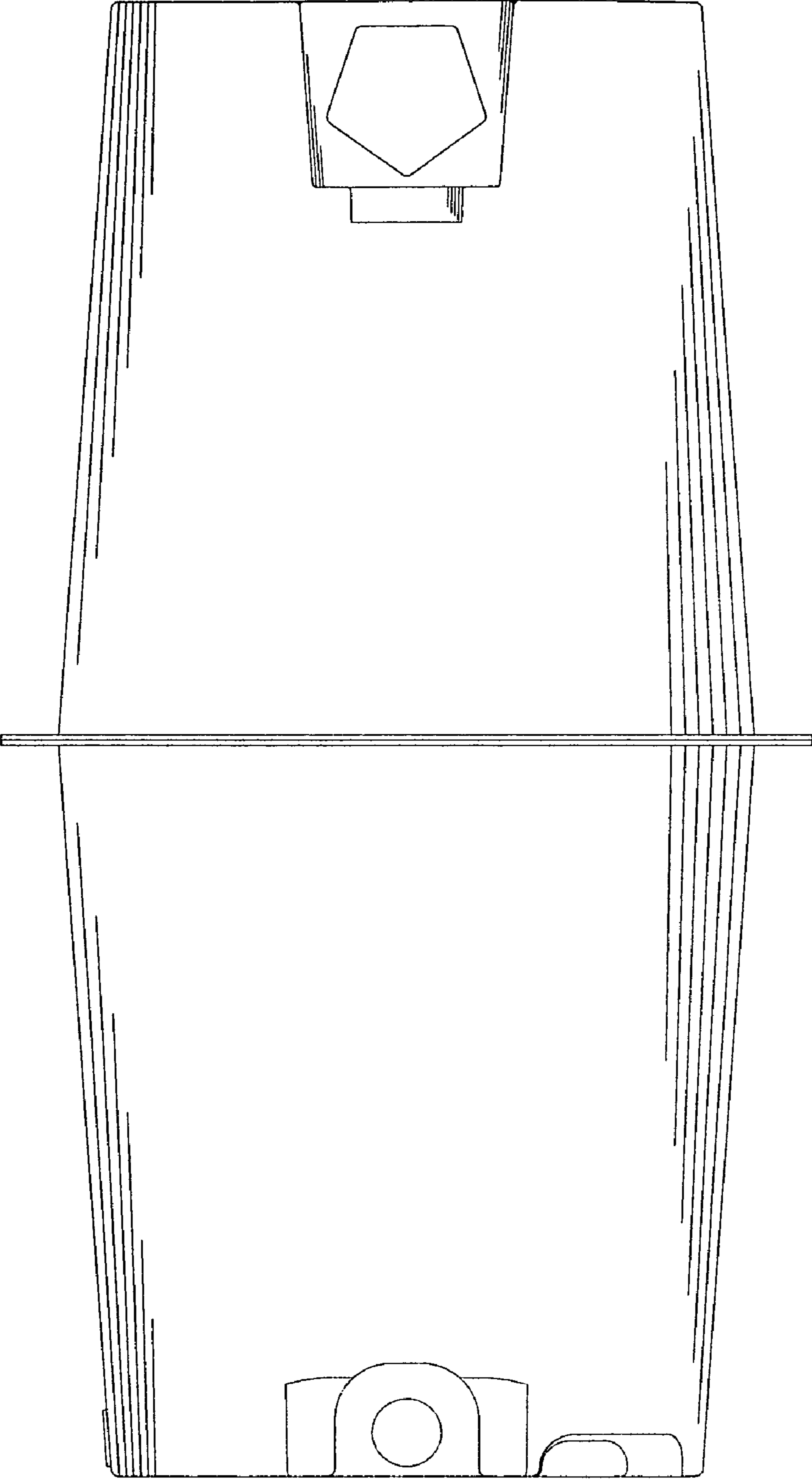


FIG. 2

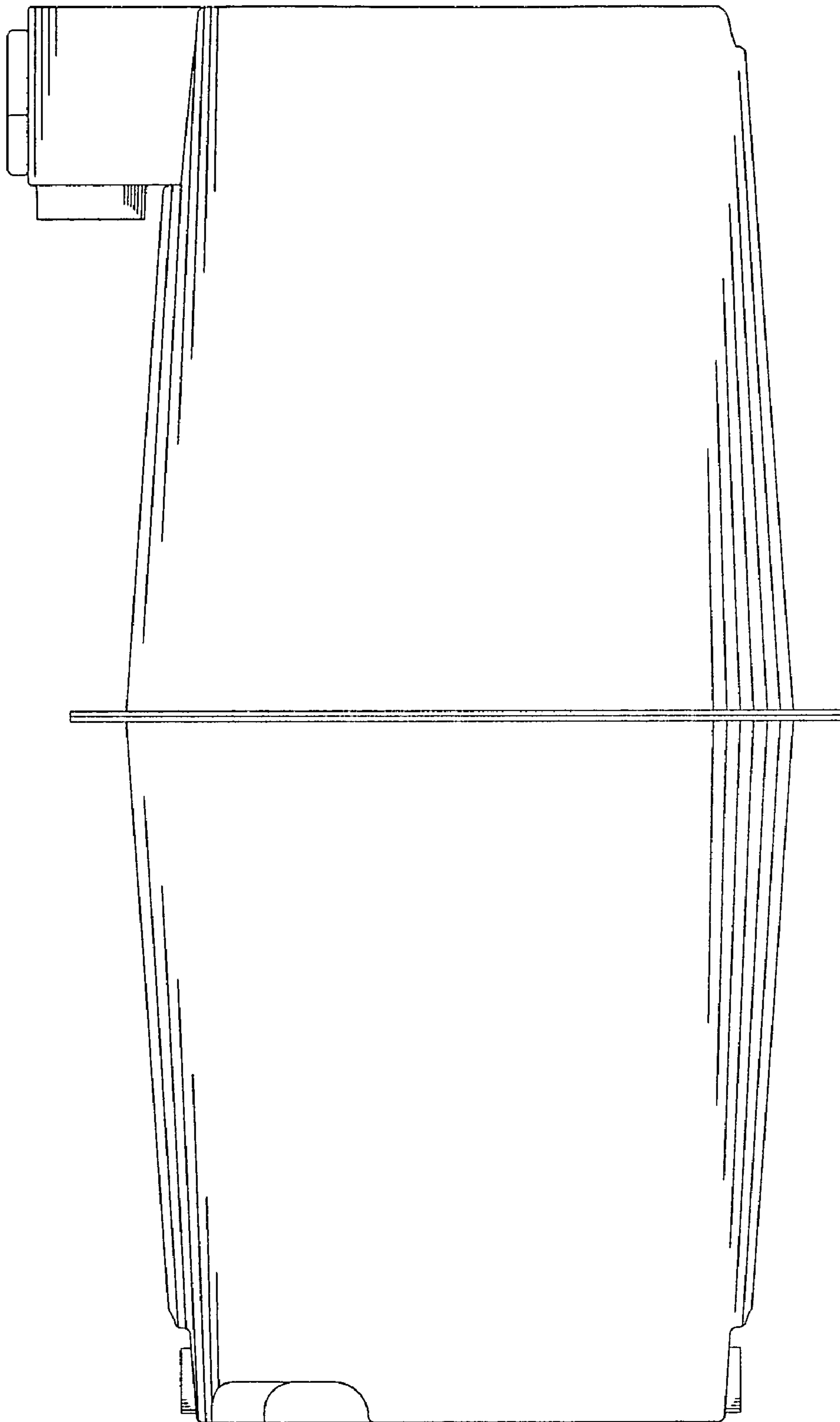


FIG. 3

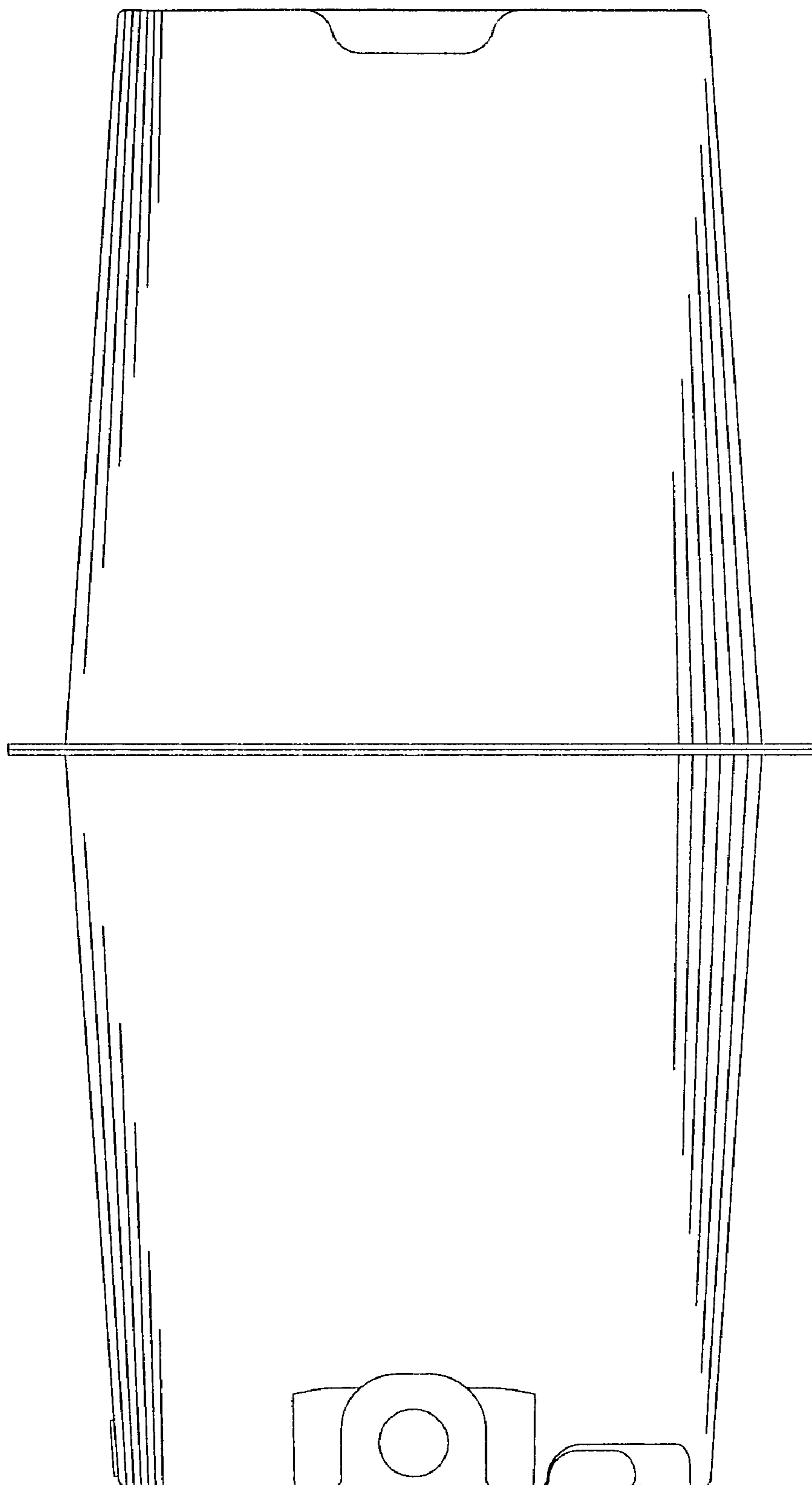


FIG. 4

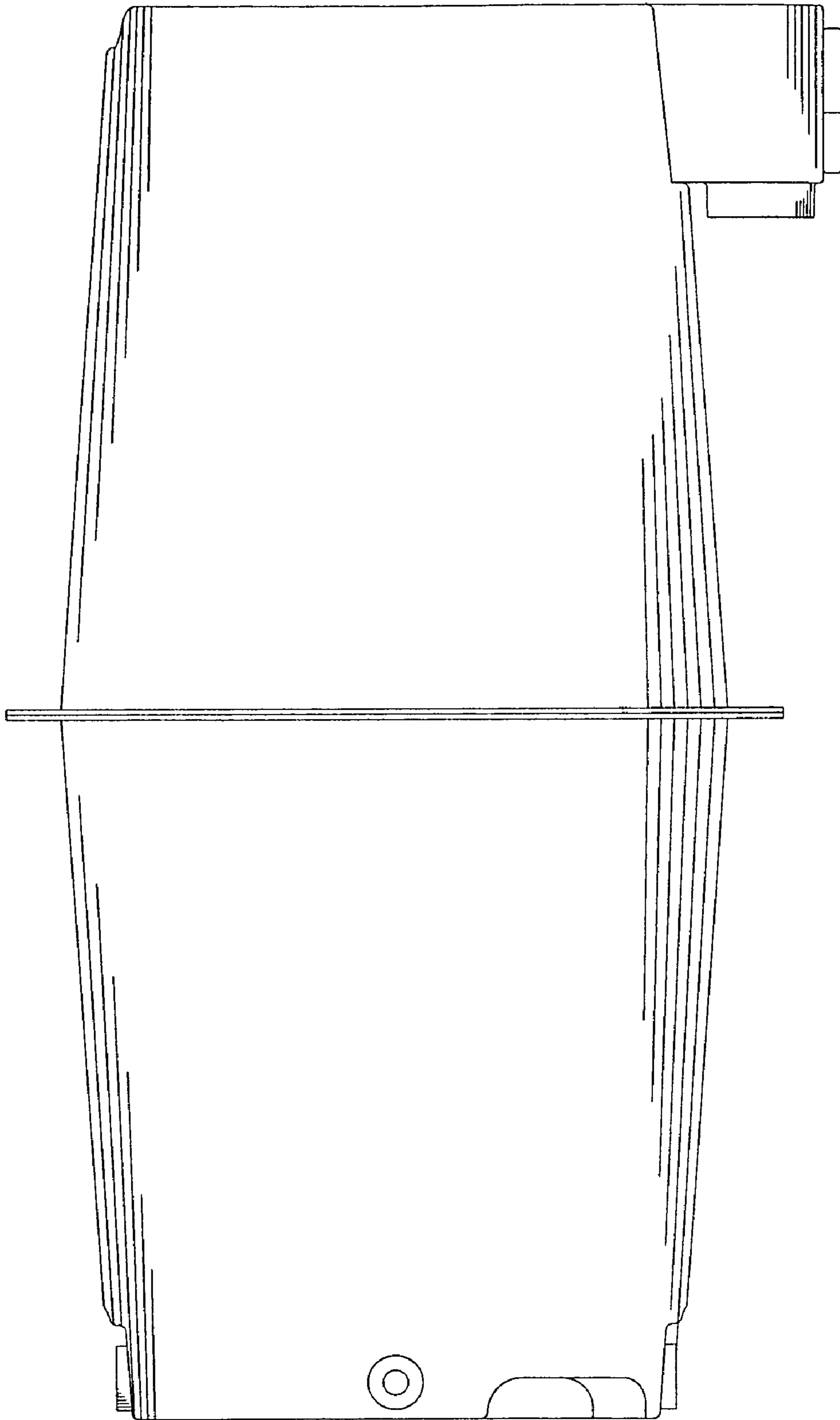


FIG. 5

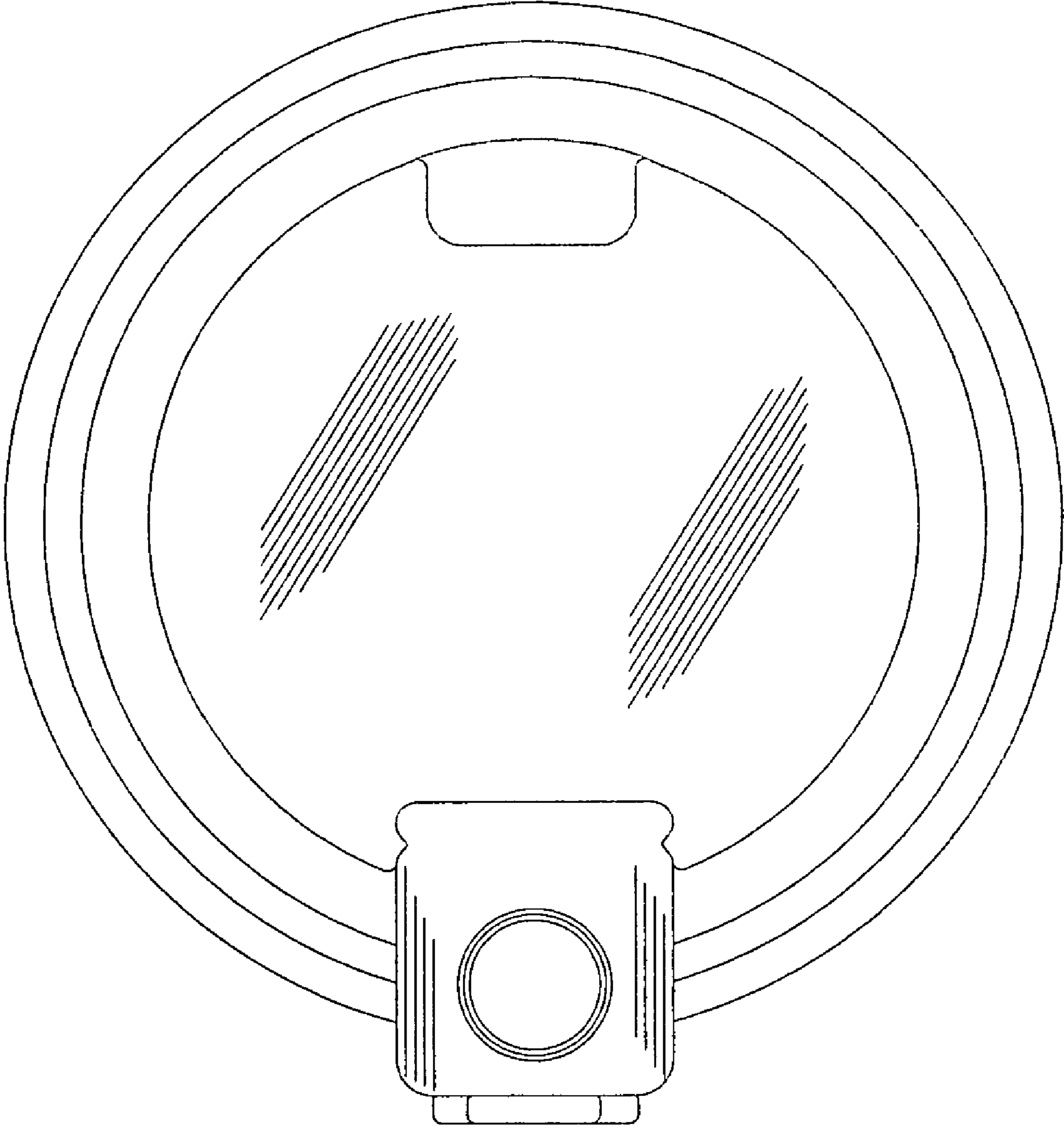


FIG. 6

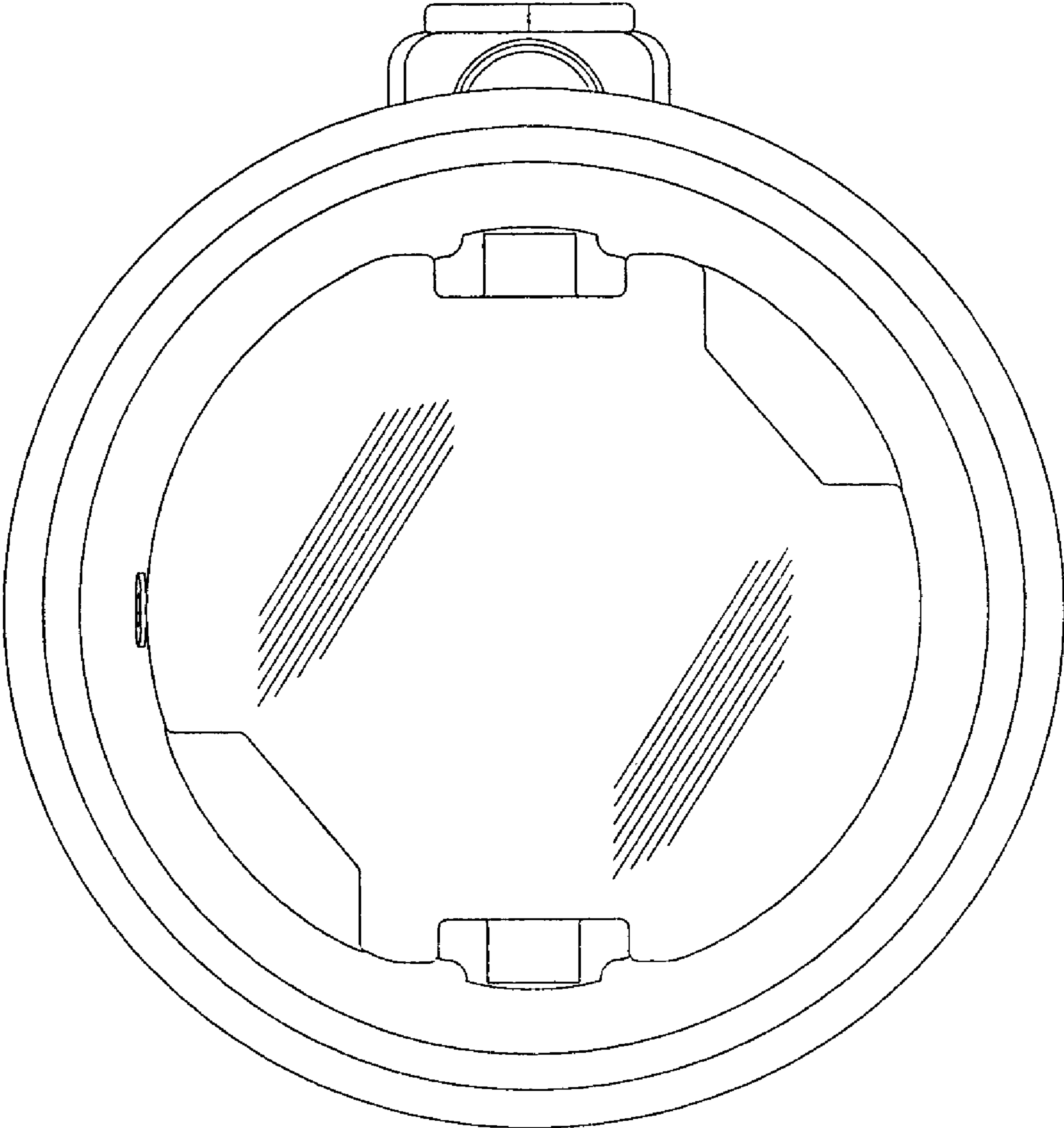


FIG. 7