



US00D613923S

(12) **United States Design Patent**
Ludlow

(10) **Patent No.:** **US D613,923 S**
(45) **Date of Patent:** **** Apr. 13, 2010**

(54) **WHEELBARROW**

(76) **Inventor:** **Loren Ludlow**, P.O. Box 635, Riverton,
UT (US) 84065

(**) **Term:** **14 Years**

(21) **Appl. No.:** **29/329,215**

(22) **Filed:** **Dec. 10, 2008**

(51) **LOC (9) Cl.** **12-02**

(52) **U.S. Cl.** **D34/16**

(58) **Field of Classification Search** D34/12-27;
280/653, 33.997, 33.992, 33.991, 33.993,
280/47.18, 47.26, 47.34, 47.31
See application file for complete search history.

(56) **References Cited**

U.S. PATENT DOCUMENTS

D163,280	S	*	5/1951	Christie	D34/16
2,660,446	A		11/1953	Edhardt		
2,707,351	A		5/1955	Walker		
3,552,760	A	*	1/1971	Sine	280/653
4,471,996	A	*	9/1984	Primeau	298/3
4,758,010	A	*	7/1988	Christie	280/47.31
5,088,751	A		2/1992	Zint		
5,472,220	A		12/1995	Stephan		
5,884,924	A		3/1999	Fairchild et al.		
6,209,891	B1		4/2001	Herrmann		
6,315,310	B1		11/2001	Hurt		

6,419,246	B1		7/2002	Neal		
6,488,293	B1		12/2002	Mitchell et al.		
6,764,093	B2		7/2004	Allsop et al.		
D501,974	S	*	2/2005	Lawson et al.	D34/27
D589,852	S	*	4/2009	Giampavolo	D12/133
2003/0097772	A1		5/2003	Christensen		
2004/0041361	A1*		3/2004	Lim	280/47.31
2005/0275176	A1*		12/2005	Jessop	280/47.31
2009/0179393	A1*		7/2009	Ludlow	280/47.31

* cited by examiner

Primary Examiner—Cynthia E Ramirez

(74) *Attorney, Agent, or Firm*—Bateman IP Law Group

(57) **CLAIM**

The ornamental design for a wheelbarrow, as shown and described.

DESCRIPTION

FIG. 1 is a perspective view of a wheelbarrow showing my new design.

FIG. 2 is a left side view of the wheelbarrow of FIG. 1;

FIG. 3 is a right side view of the wheelbarrow of FIG. 1;

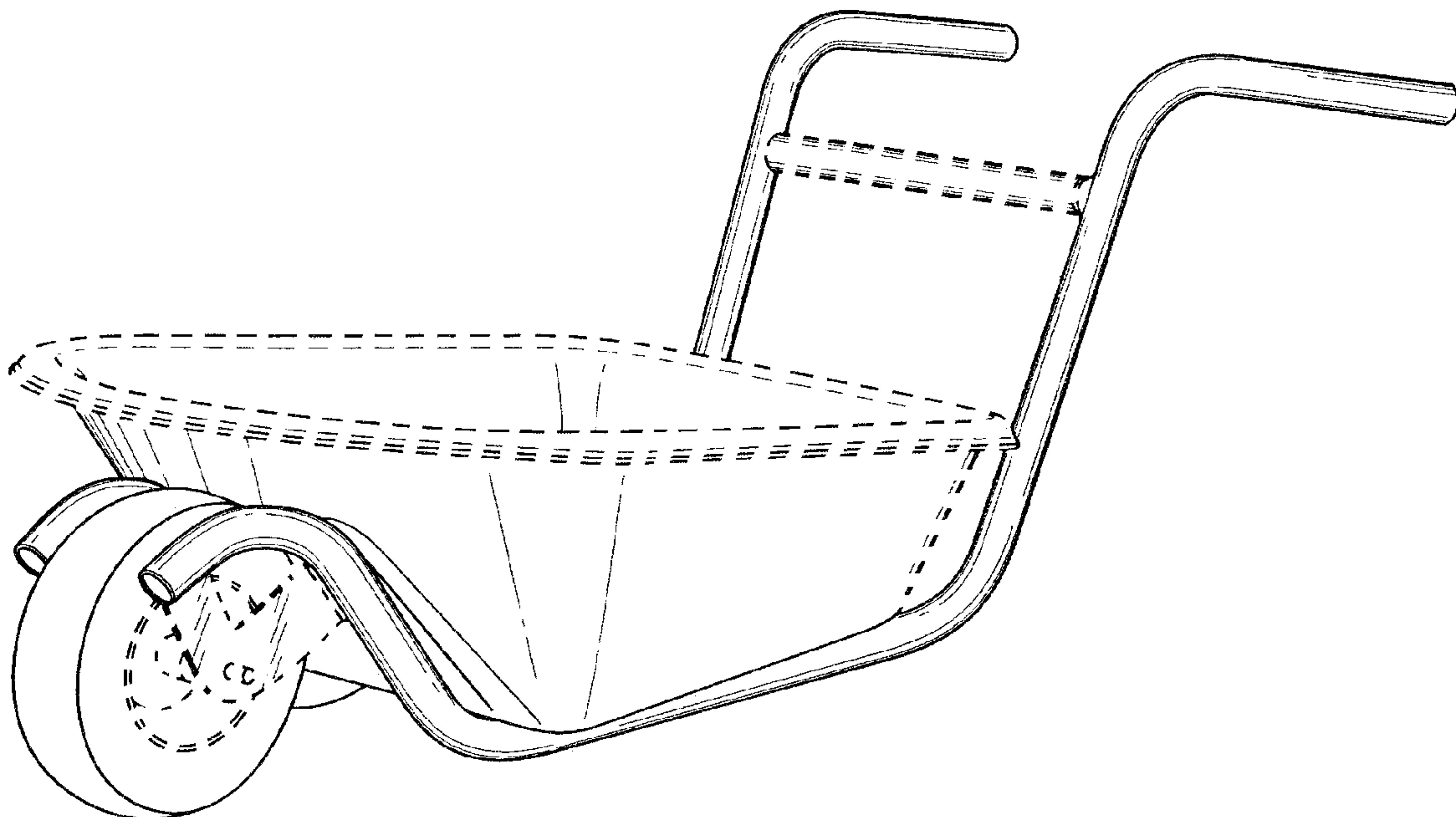
FIG. 4 is a front view of the wheelbarrow of FIG. 1;

FIG. 5 is a back view of the wheelbarrow of FIG. 1;

FIG. 6 is a top view of the wheelbarrow of FIG. 1; and,

FIG. 7 is a bottom view of the wheelbarrow of FIG. 1.

1 Claim, 6 Drawing Sheets



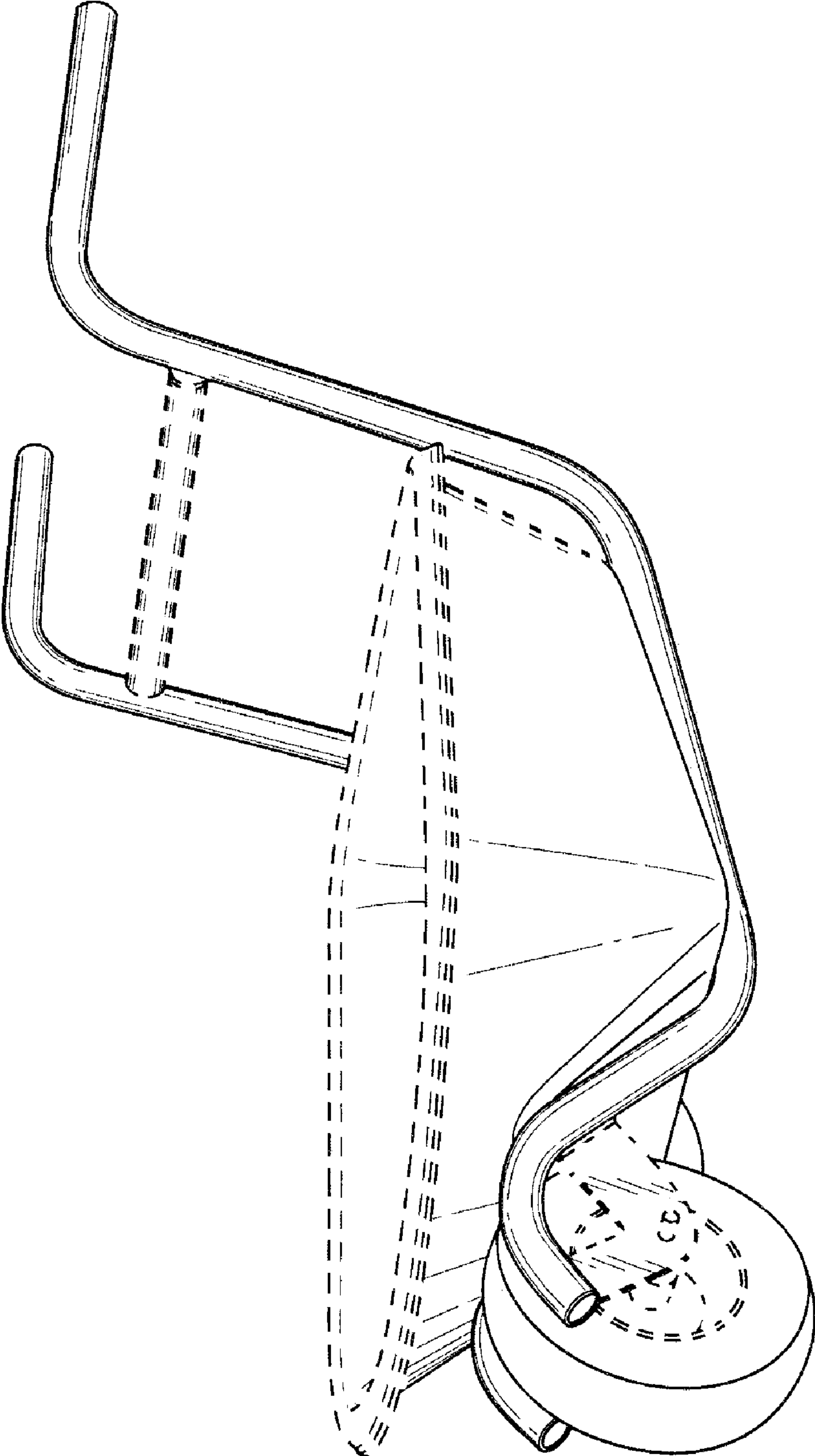


FIG. 1

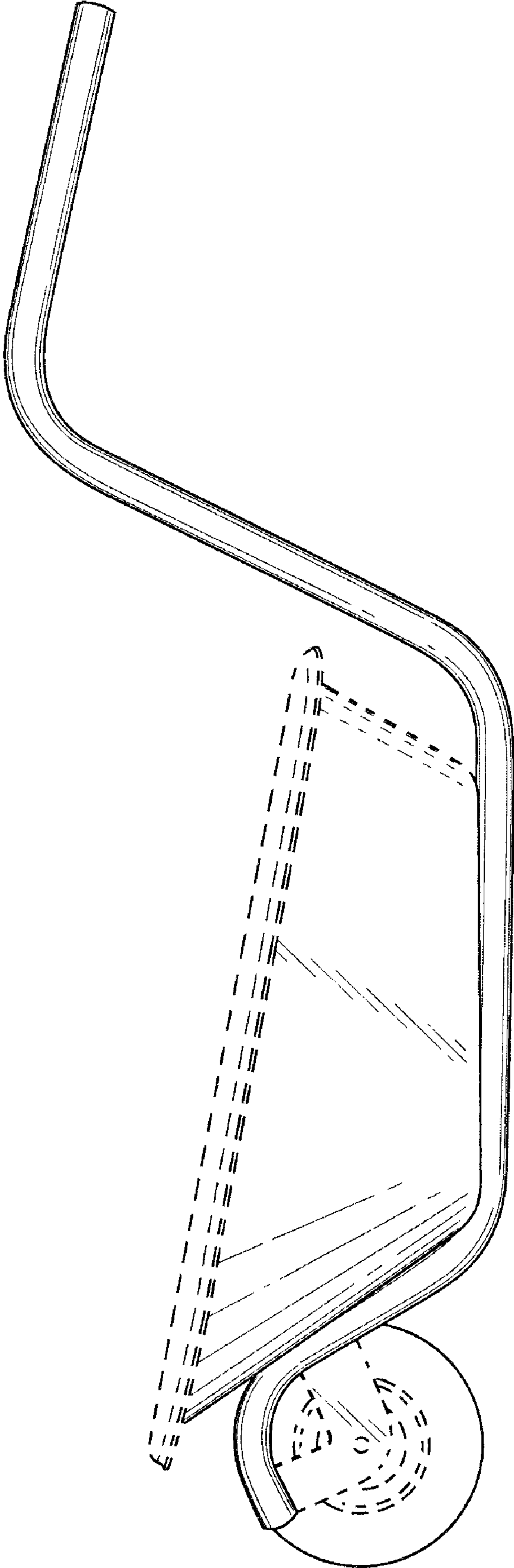


FIG. 2

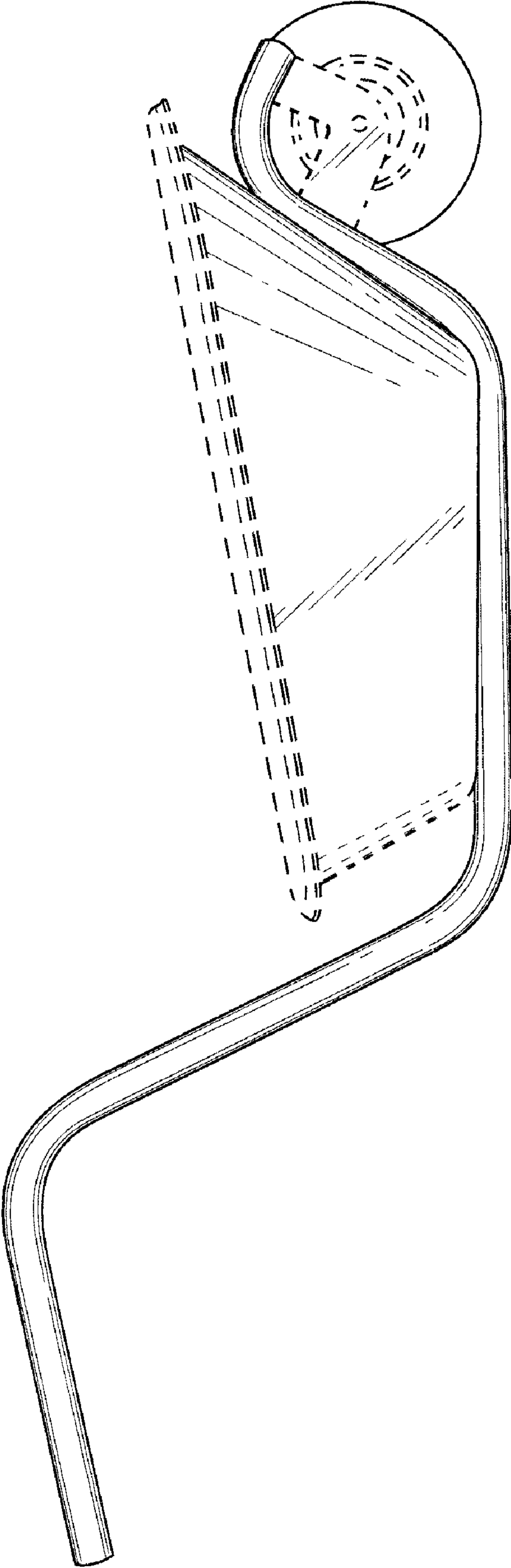


FIG. 3

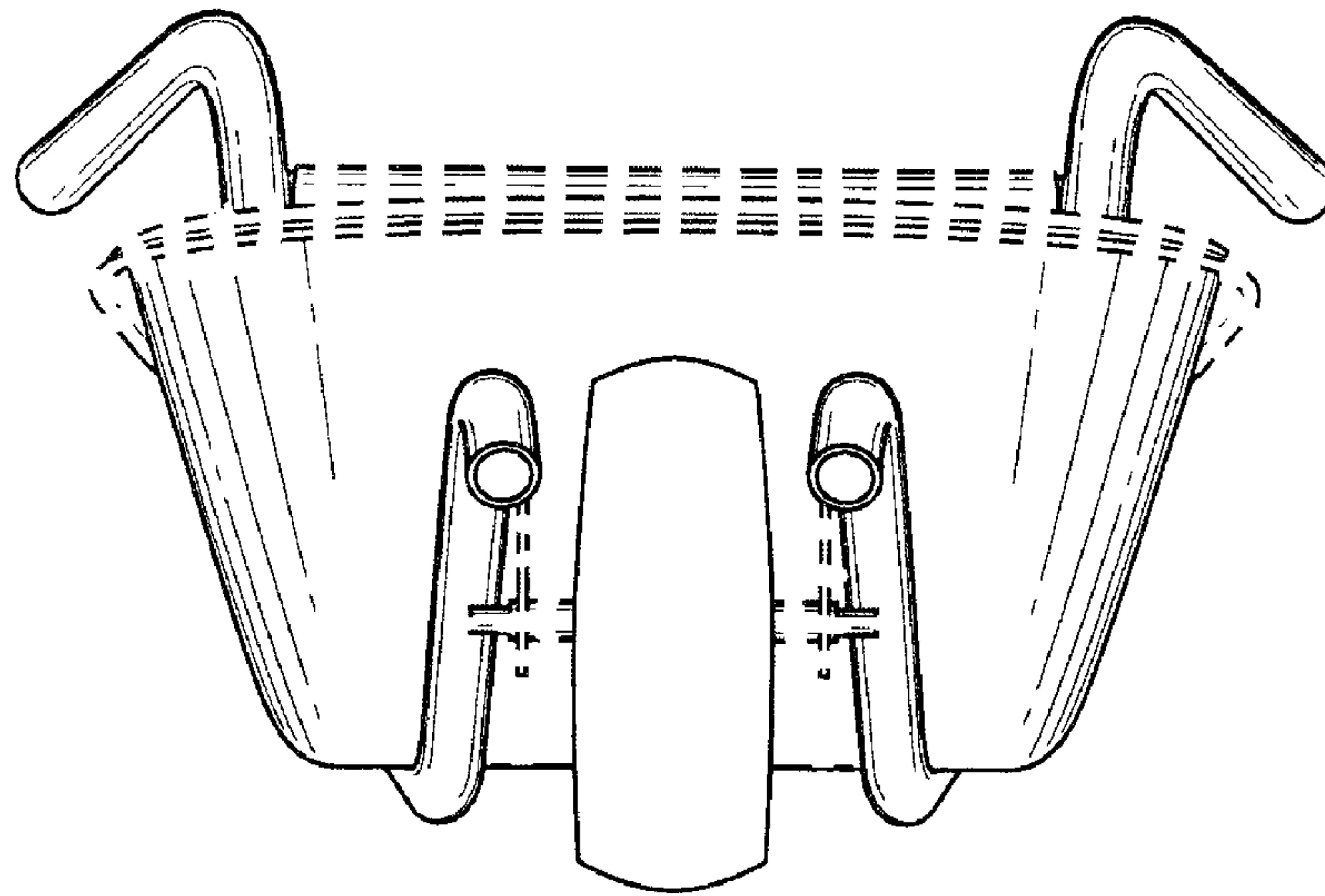


FIG. 4

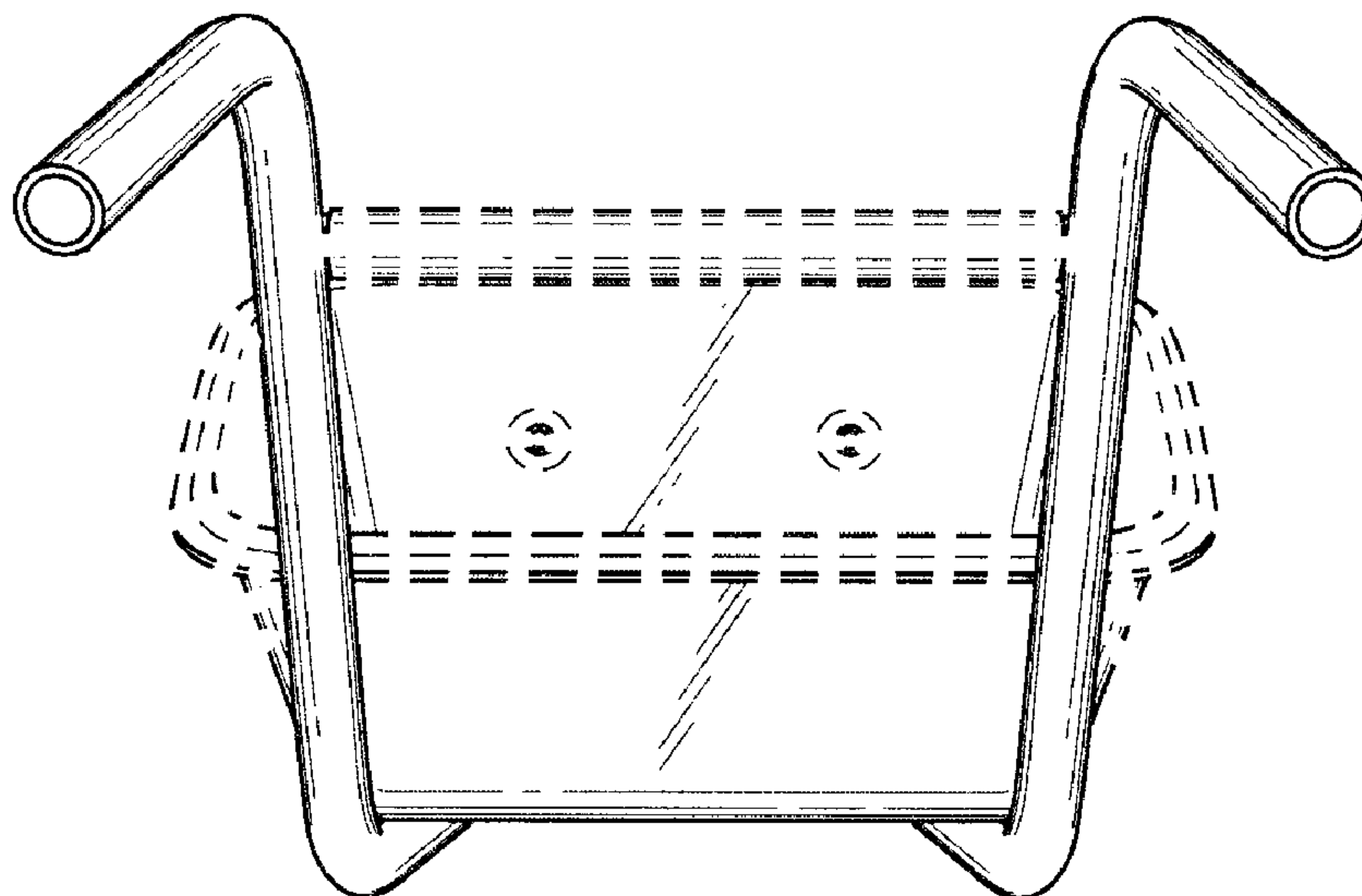


FIG. 5

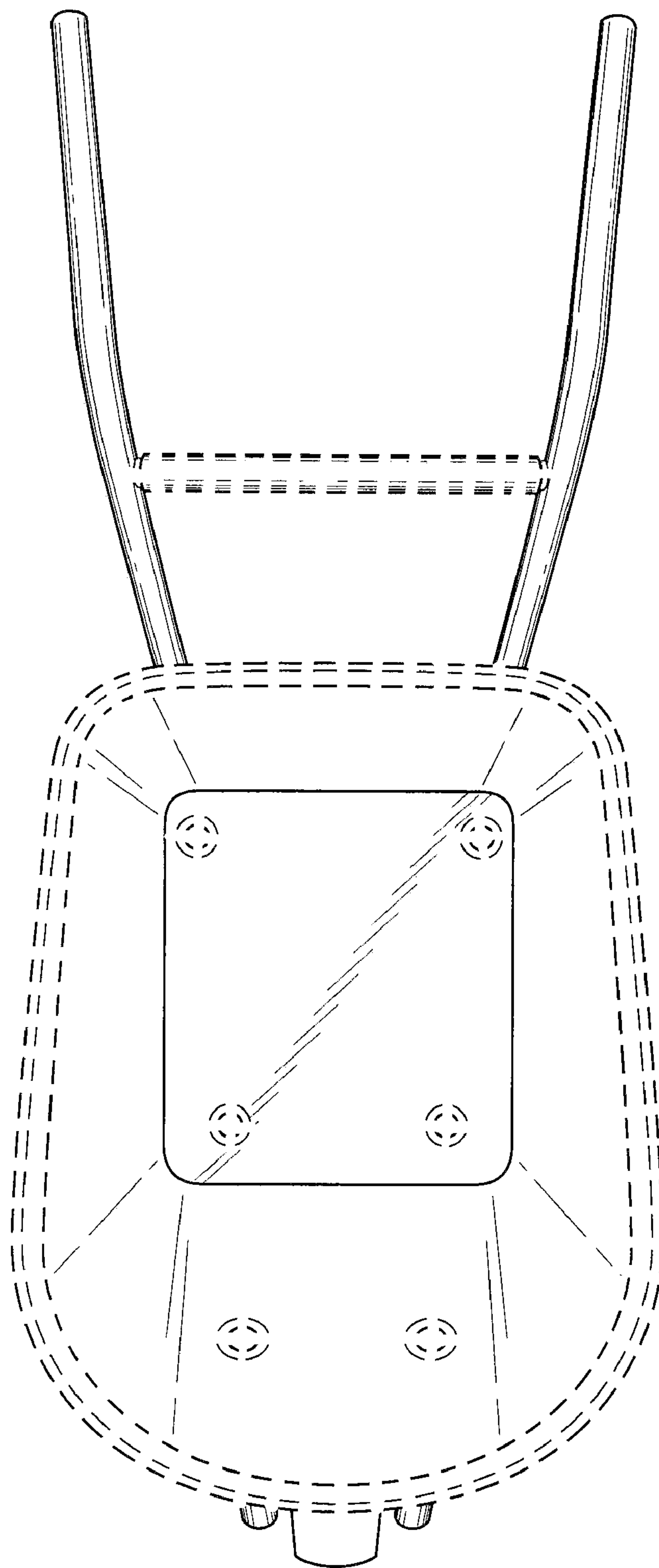


FIG. 6

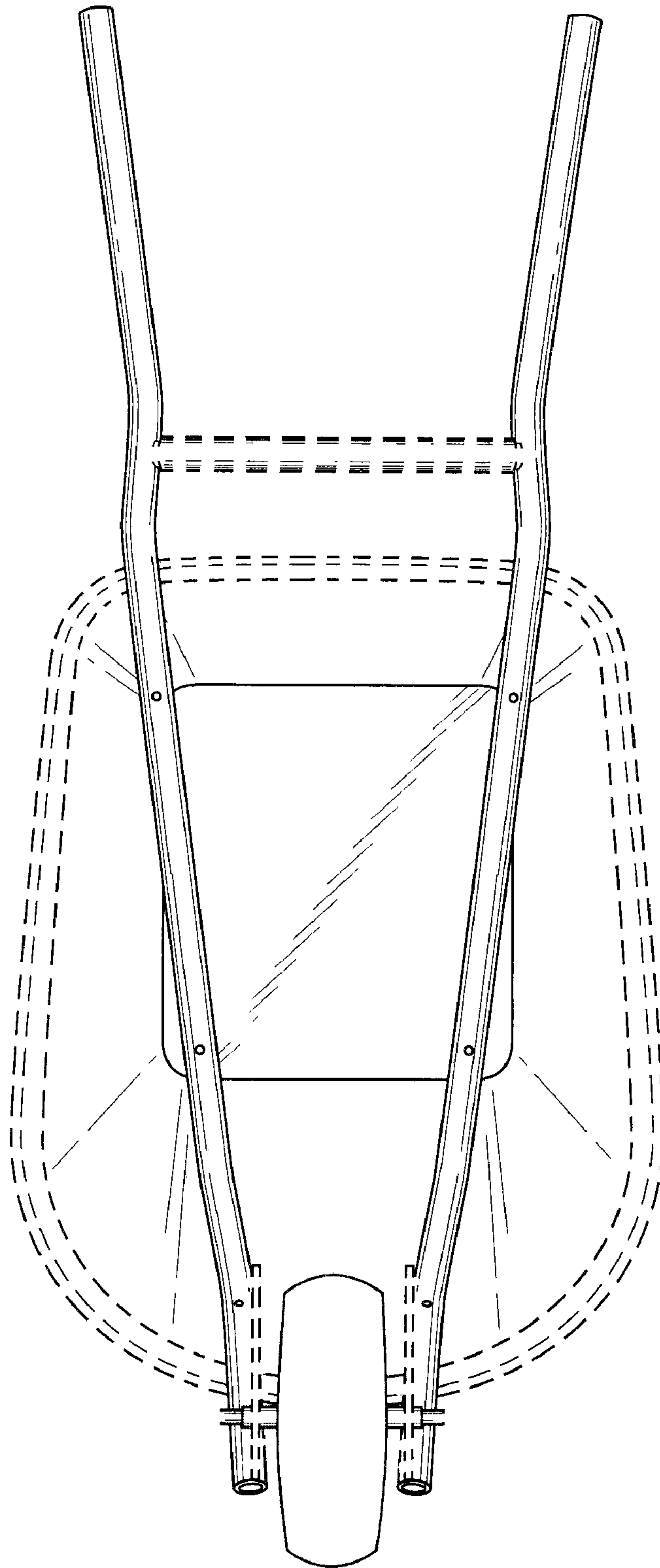


FIG. 7