



US00D613922S

(12) **United States Design Patent**
Kolon

(10) **Patent No.:** **US D613,922 S**
(45) **Date of Patent:** **** Apr. 13, 2010**

(54) **HANDLE FOR CONTAINER**

D504,987 S * 5/2005 Morris, Sr. D32/53
D530,052 S * 10/2006 Berti D32/53
D558,419 S * 12/2007 Zychlinski D32/53

(75) Inventor: **Philipp Kolon**, Oehringen (DE)

(73) Assignee: **HUBER Packaging Group GmbH & Co. KG**, Oehringen (DE)

* cited by examiner

(**) Term: **14 Years**

Primary Examiner—Robin V Webster
(74) *Attorney, Agent, or Firm*—Harness, Dickey & Pierce, P.L.C.

(21) Appl. No.: **29/336,615**

(57) **CLAIM**

(22) Filed: **May 6, 2009**

The ornamental design for a handle for container, as shown and described.

(30) **Foreign Application Priority Data**

Nov. 10, 2008 (EM) 001035893

DESCRIPTION

(51) **LOC (9) Cl.** **07-07**

FIG. 1 is a top elevational view of a handle for container embodying my new design;

(52) **U.S. Cl.** **D32/54**

(58) **Field of Classification Search** D32/53,
D32/53.1, 54; 220/570, 495.01, 495.02,
220/904, 908, 694–700, 755, 758; 15/260,
15/264, 257.06; 248/110; D9/434, 435

FIG. 2 is a front side view of a handle for container;

FIG. 3 is a rear side view of a handle for container;

FIG. 4 is a left side view of a handle for container;

FIG. 5 is a right side view of a handle for container;

See application file for complete search history.

FIG. 6 is a bottom elevational view of a handle for container; and,

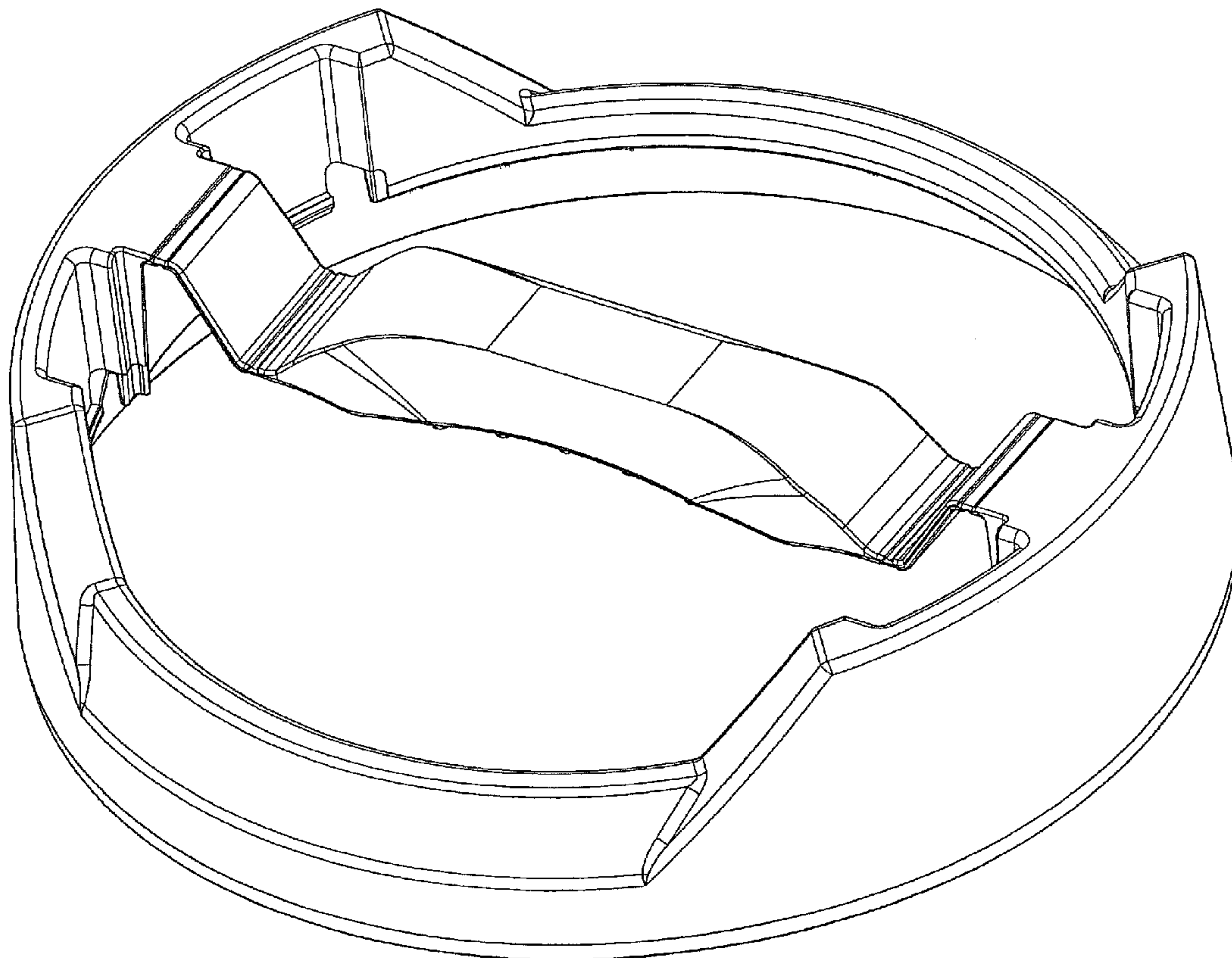
FIG. 7 is a perspective view of a handle for container.

(56) **References Cited**

U.S. PATENT DOCUMENTS

D322,342 S * 12/1991 Rokita D32/54
6,494,341 B2 * 12/2002 Perkins et al. 220/764

1 Claim, 7 Drawing Sheets



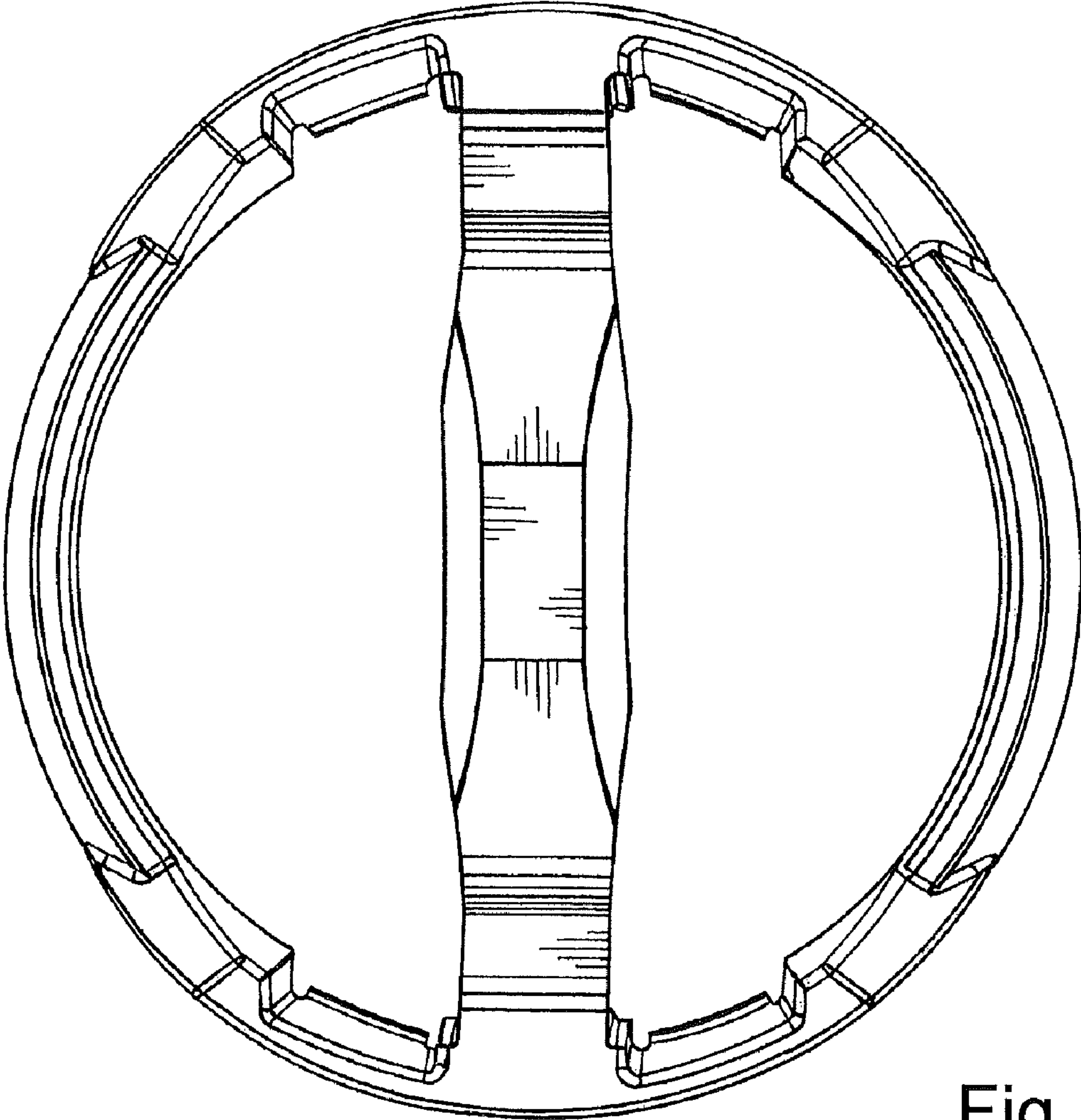


Fig. 1

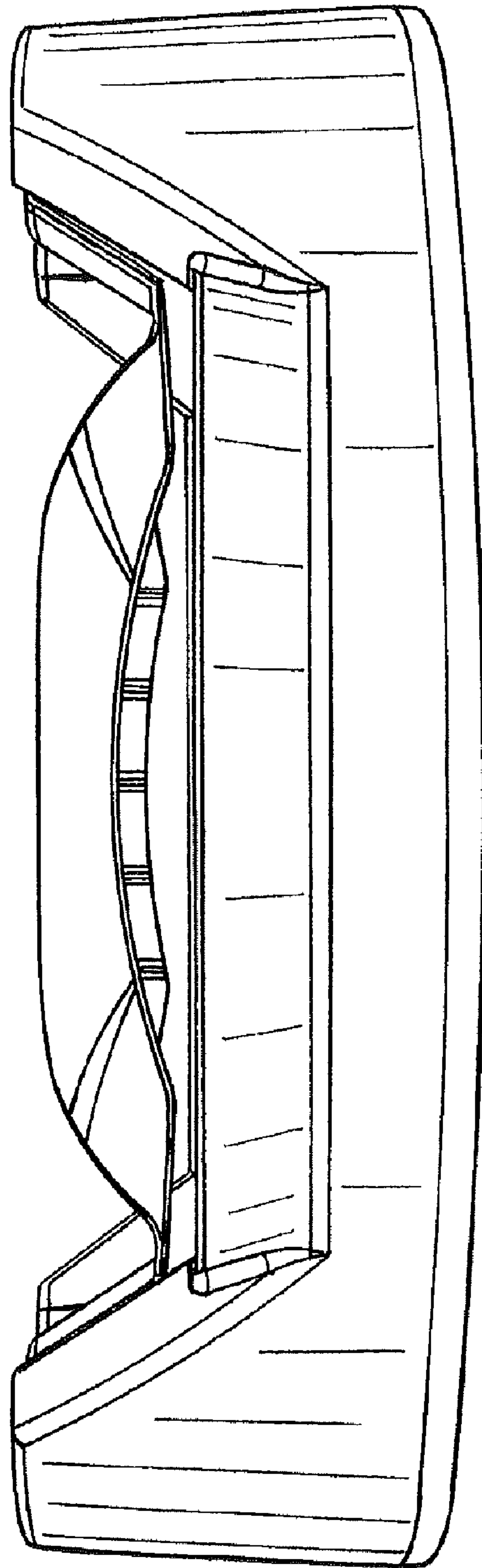


Fig. 2

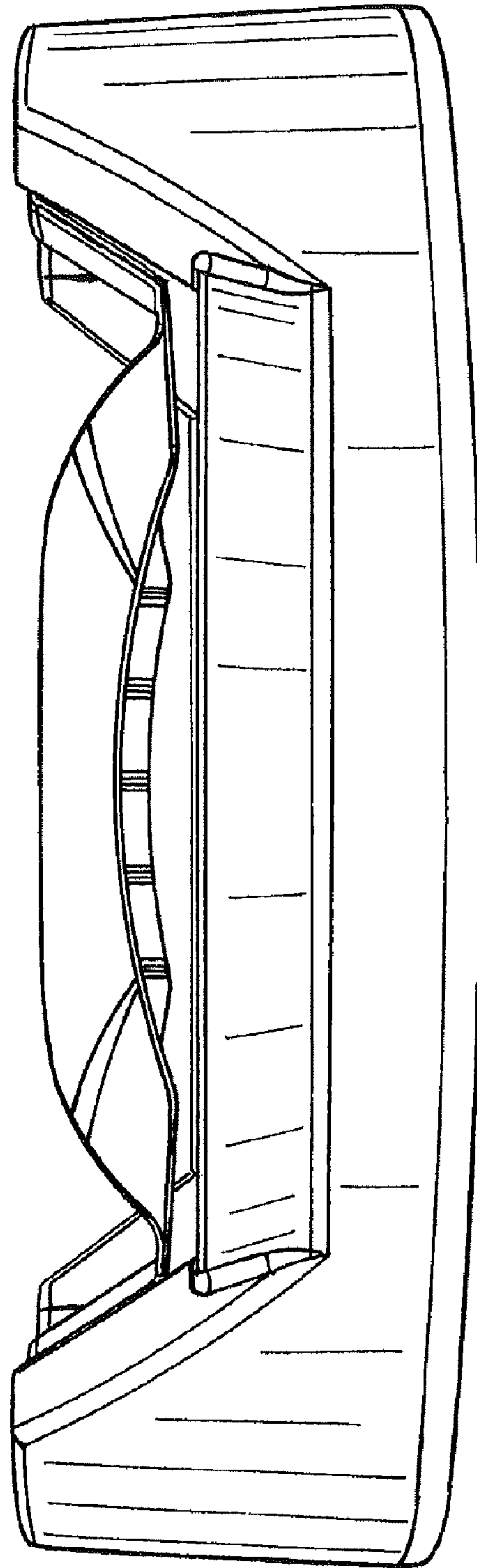


Fig. 3

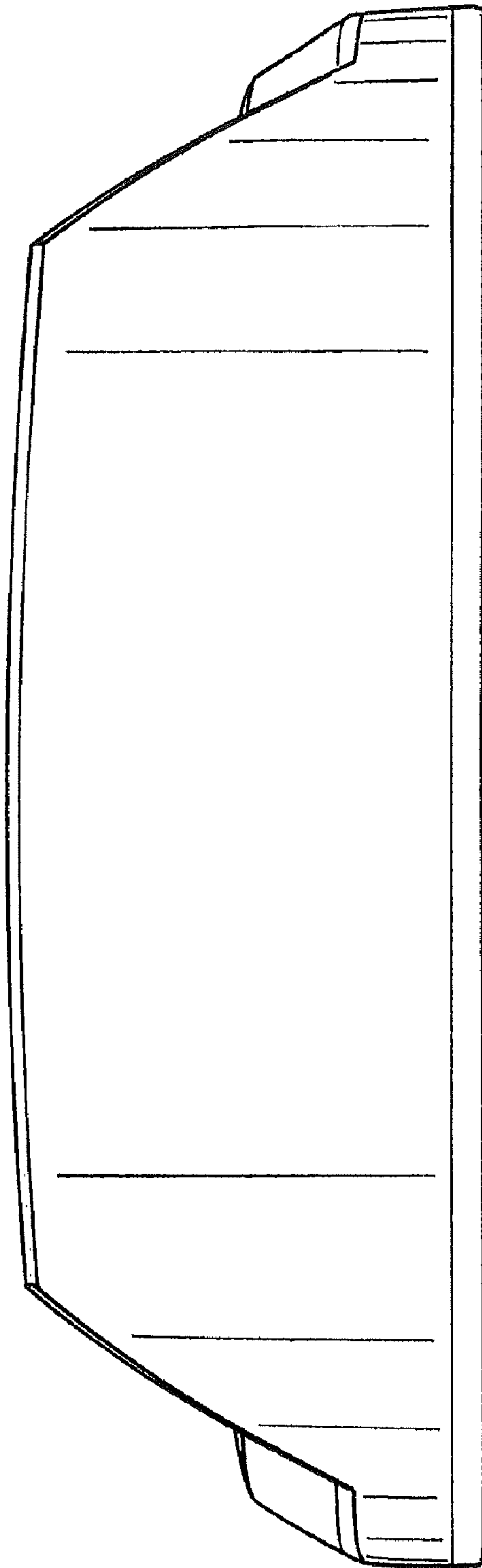


Fig. 4

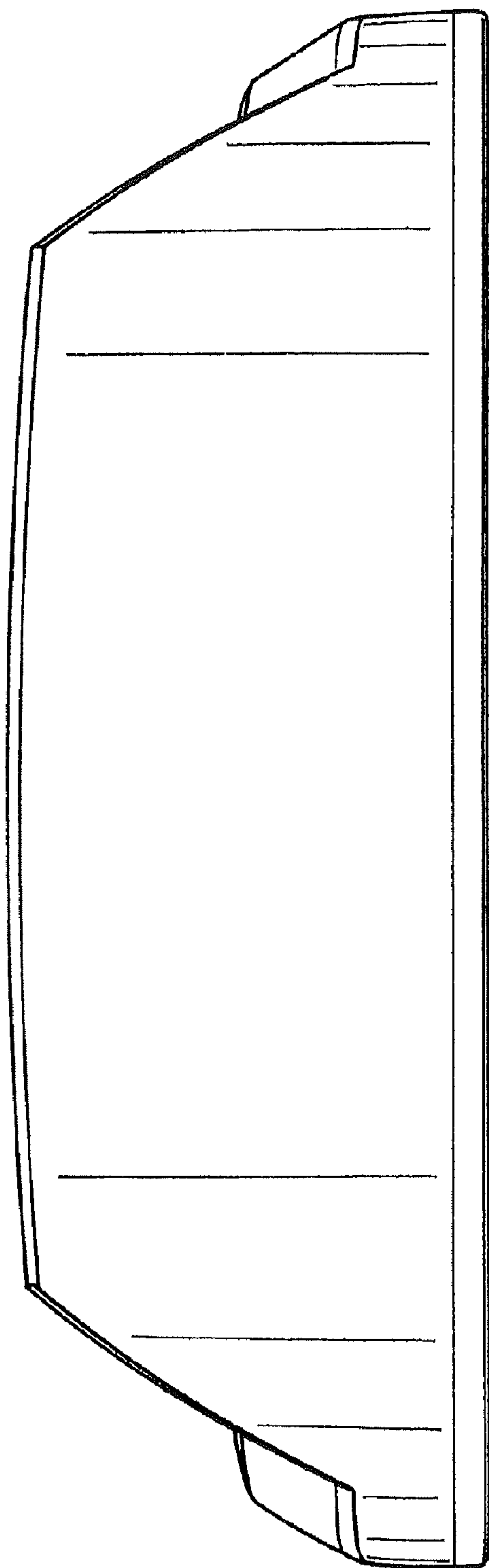


Fig. 5

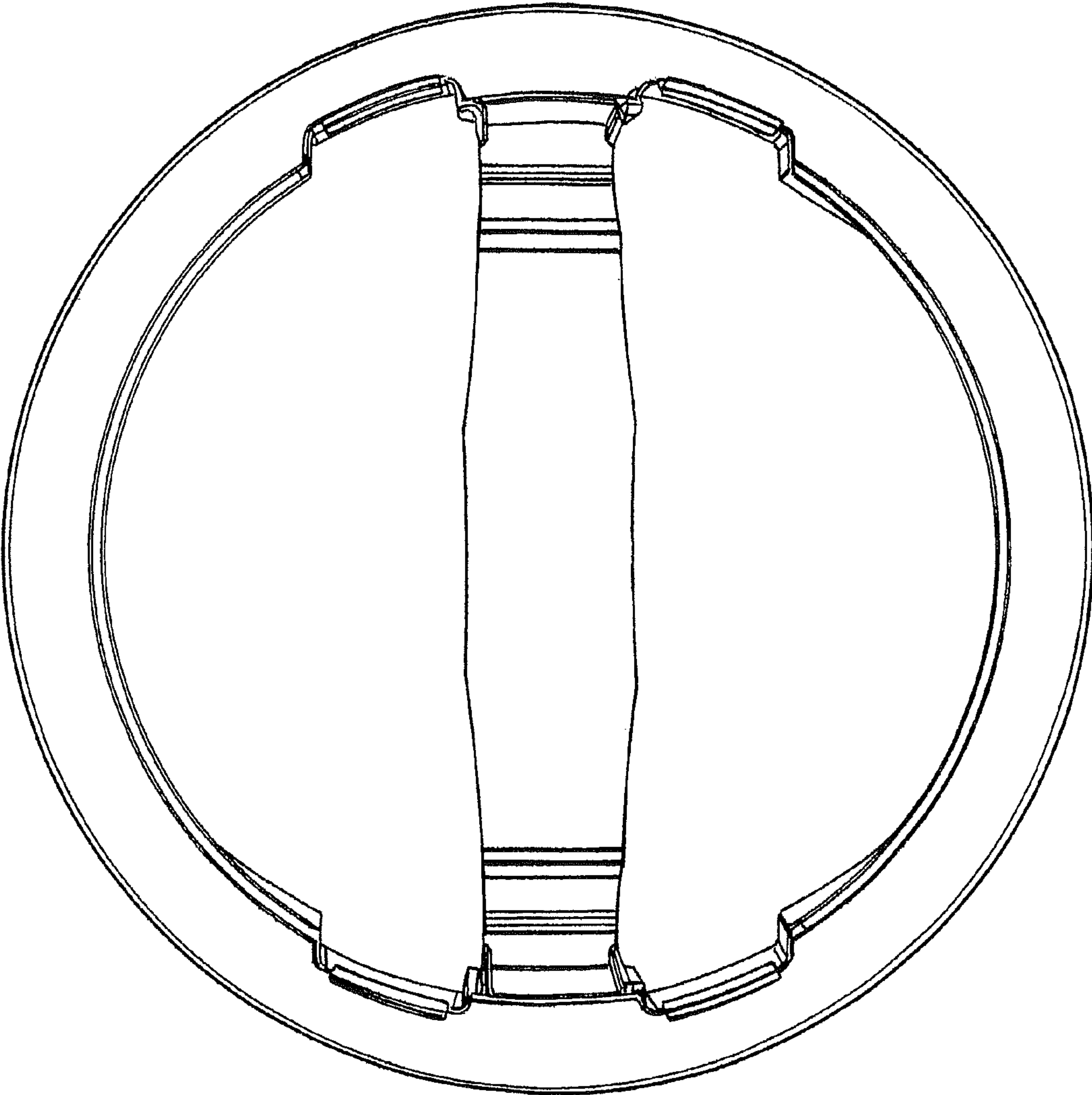


Fig. 6

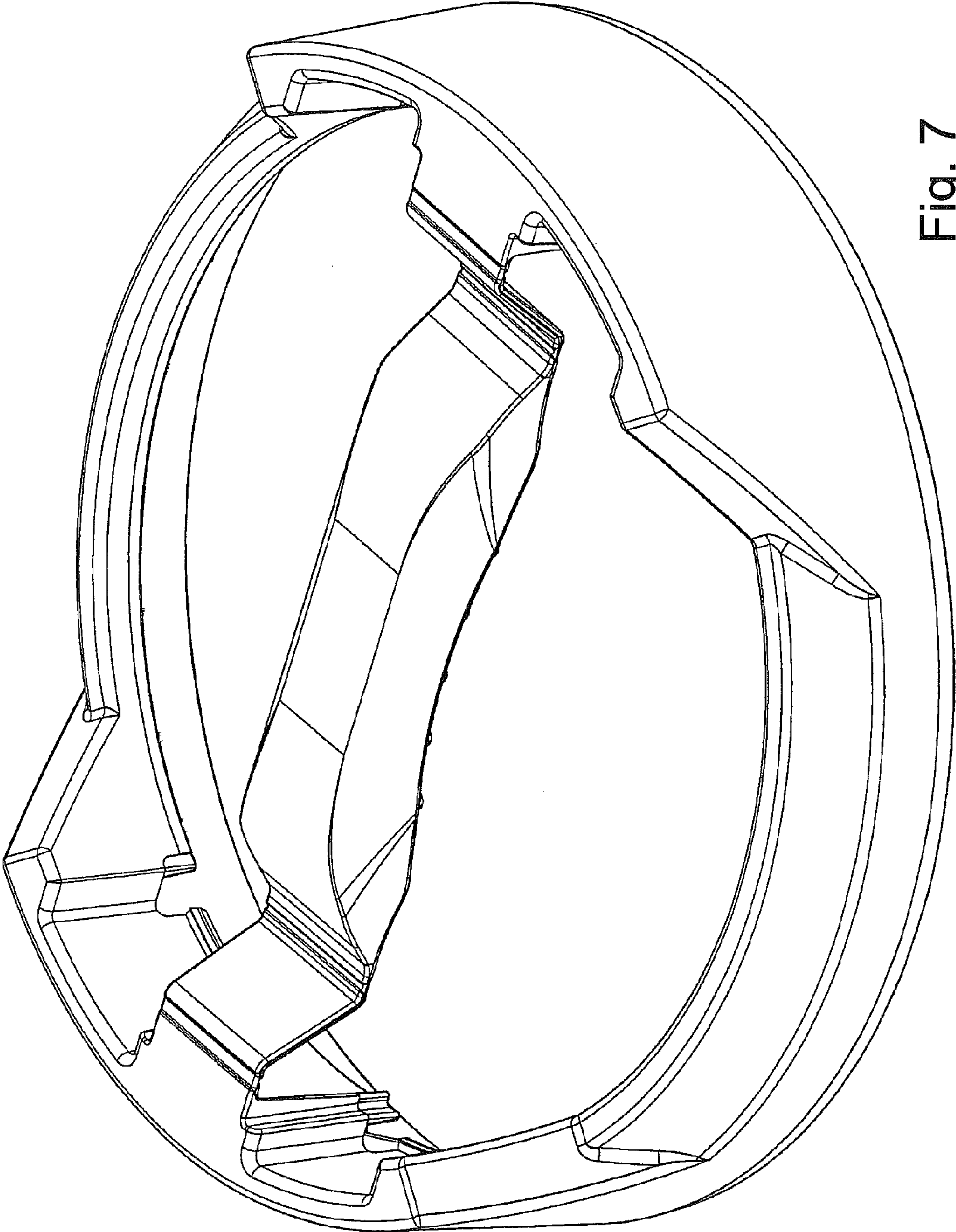


Fig. 7