



US00D613921S

(12) **United States Design Patent**
Tsui

(10) **Patent No.:** **US D613,921 S**
(45) **Date of Patent:** **** Apr. 13, 2010**

(54) **COMBINED WRINGER AND BUCKET MOP HANDLE HOLDER**

6,056,253 A * 5/2000 Tripp 248/213.2
D461,289 S * 8/2002 LoSacco et al. D32/54
D475,826 S * 6/2003 Mowe D32/54
D560,088 S * 1/2008 Tracy D6/552

(76) Inventor: **Chi-Wah Tsui**, Flat 42, Block D, 9/F
Wah Lok Industrial Centre, 37-41 Shan
Mel Street, Fotan, Shatin, New
Territories (HK)

* cited by examiner

Primary Examiner—Cynthia E Ramirez
(74) *Attorney, Agent, or Firm*—Law Office of Sergel Orel,
LLC

(**) Term: **14 Years**

(21) Appl. No.: **29/291,620**

(57) **CLAIM**

(22) Filed: **Sep. 5, 2007**

The ornamental design for a combined wringer and bucket mop handle holder, as shown and described.

(51) **LOC (9) Cl.** **04-01**

(52) **U.S. Cl.** **D32/52; D32/54; D8/373**

(58) **Field of Classification Search** D32/46,
D32/52, 54, 53; D8/373; 248/110, 113;
211/65, 66; D6/513, 514, 552, 553, 554,
D6/567

DESCRIPTION

See application file for complete search history.

FIG. 1 is a front view of the combined wringer and bucket mop handle holder showing my new design;

FIG. 2 is a rear view thereof;

FIG. 3 is a left view thereof;

FIG. 4 is a right view thereof;

FIG. 5 is a top view thereof;

FIG. 6 is a bottom view thereof; and,

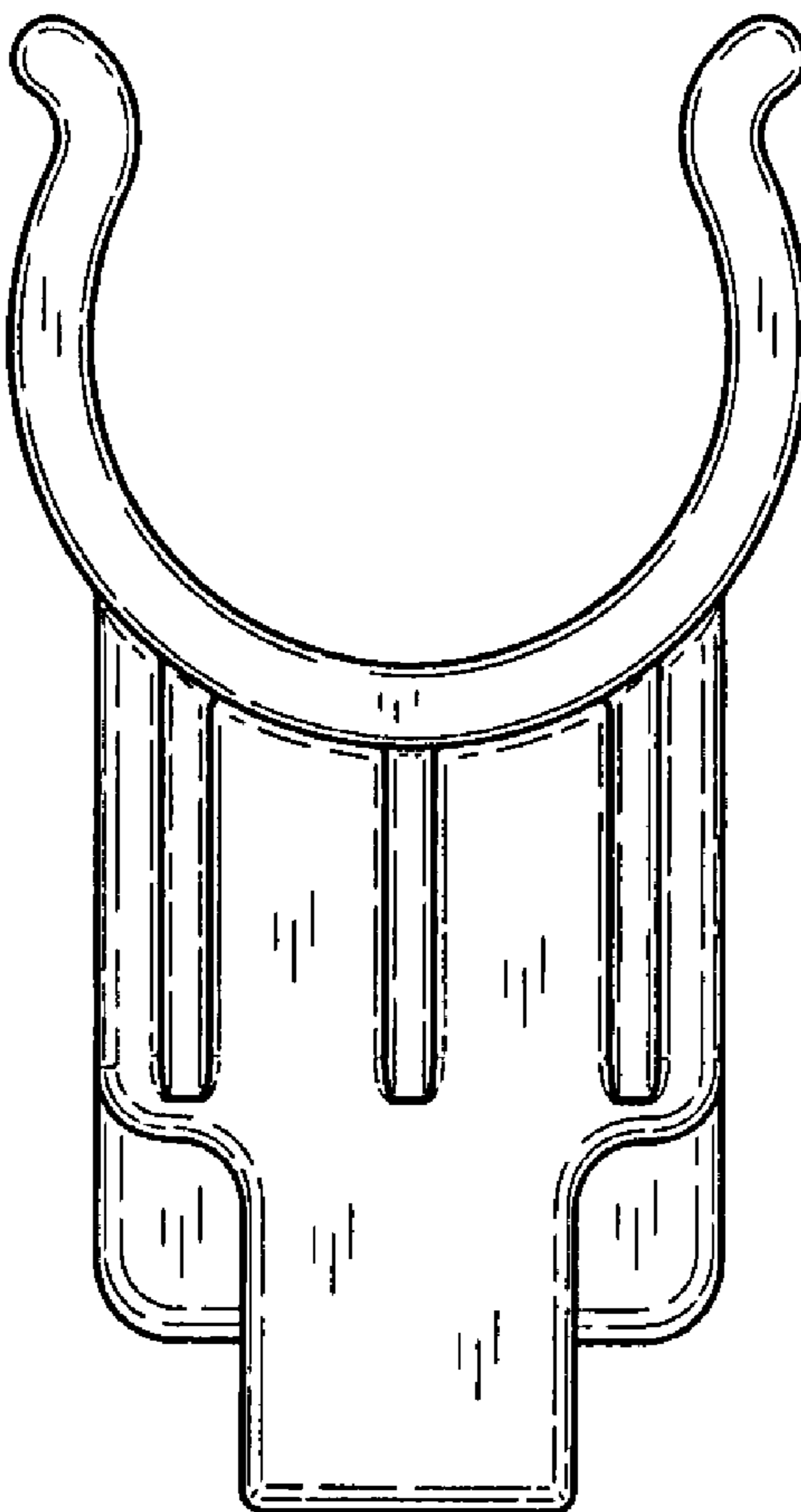
FIG. 7 is a perspective view thereof.

(56) **References Cited**

U.S. PATENT DOCUMENTS

D301,976 S * 7/1989 Greenhut et al. D8/373
D311,128 S * 10/1990 Breveglieri D8/373
D358,691 S * 5/1995 Engle D32/54
D383,272 S * 9/1997 McDonald D32/54

1 Claim, 2 Drawing Sheets



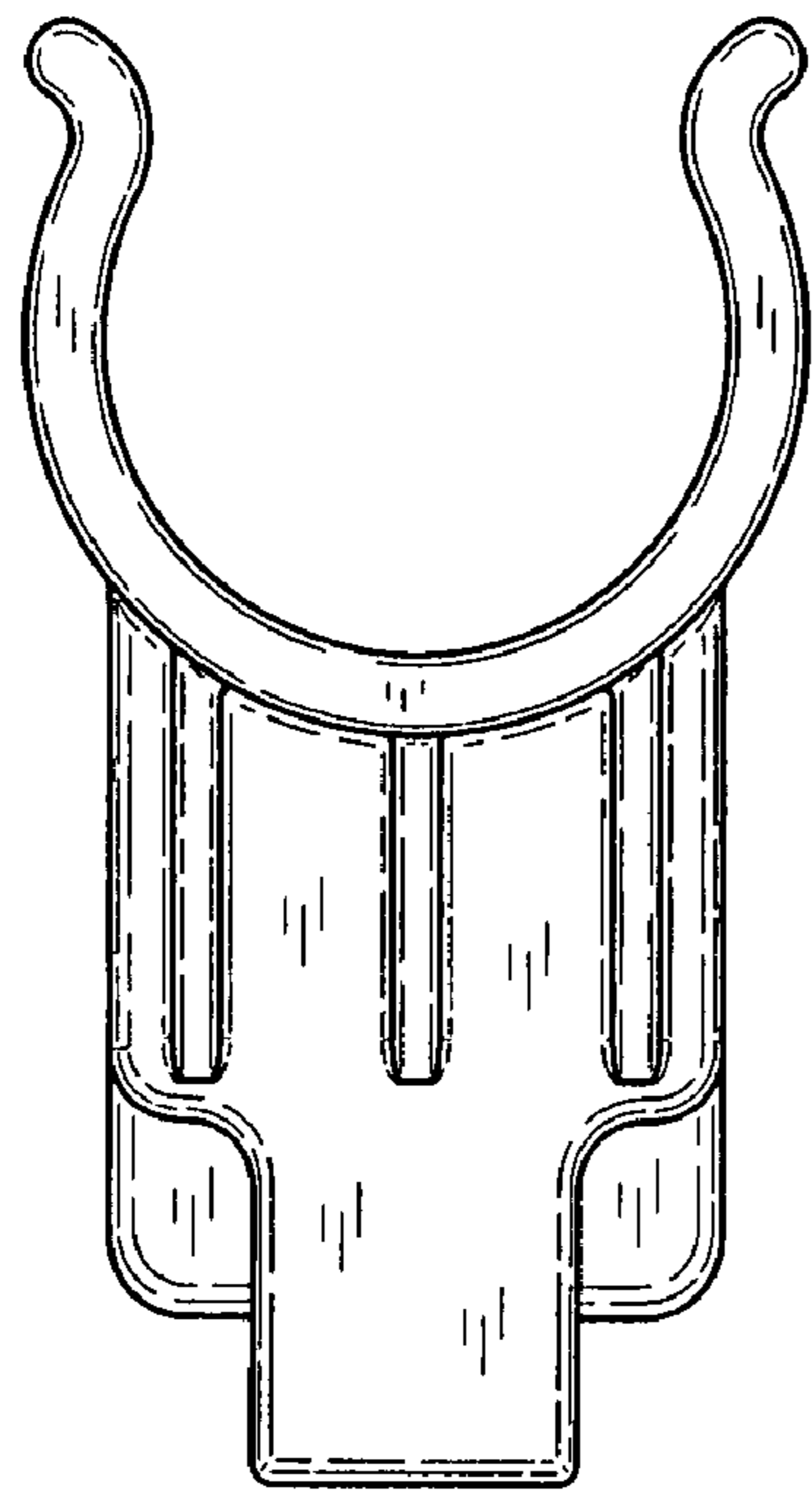


Fig.1

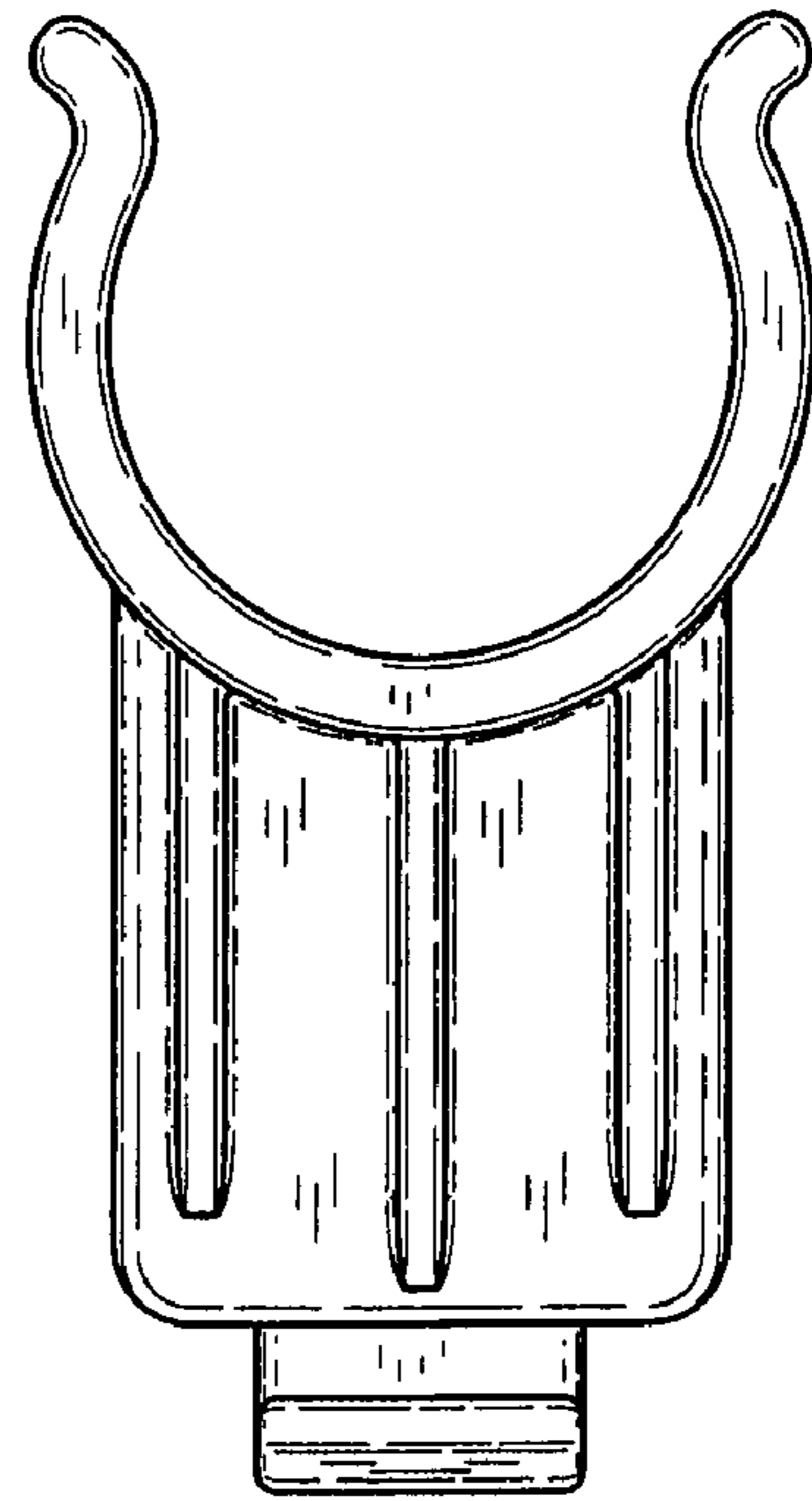


Fig.2

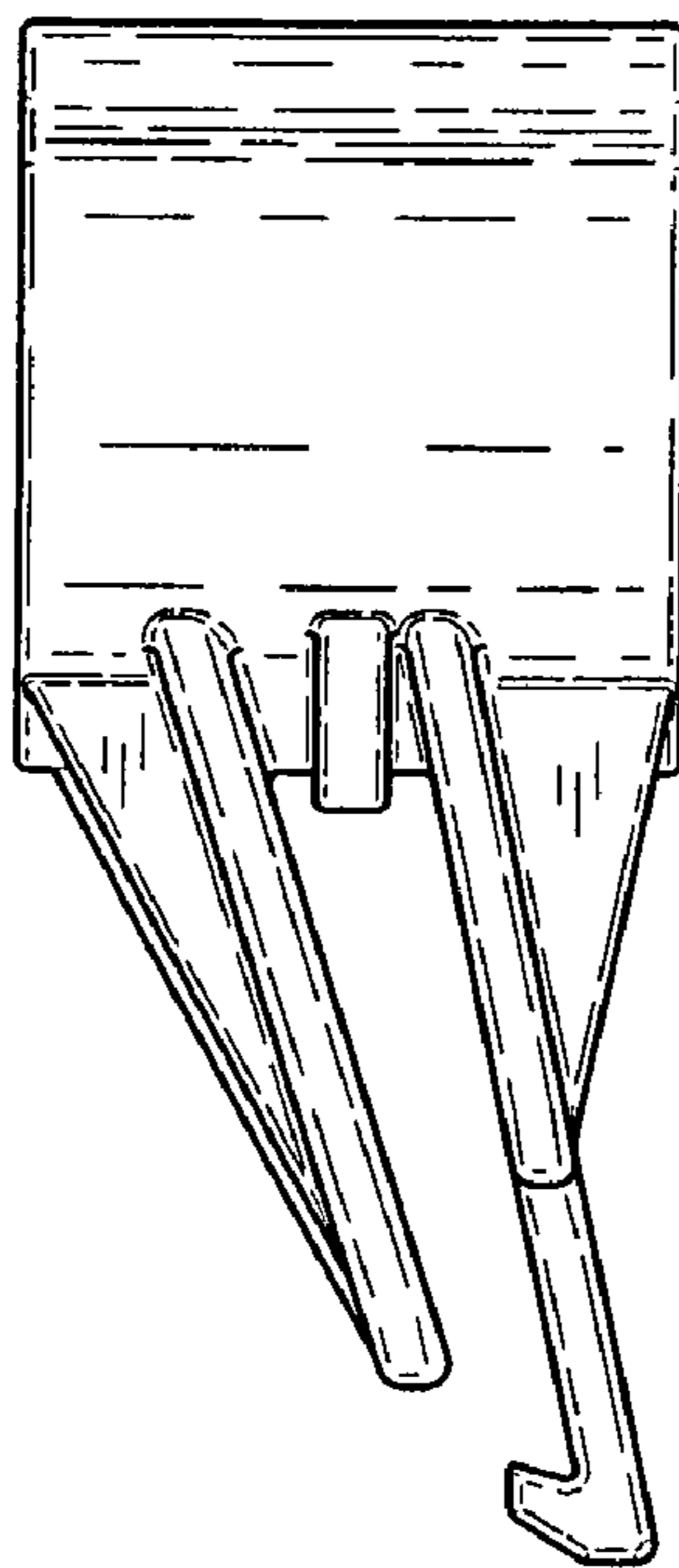


Fig.3

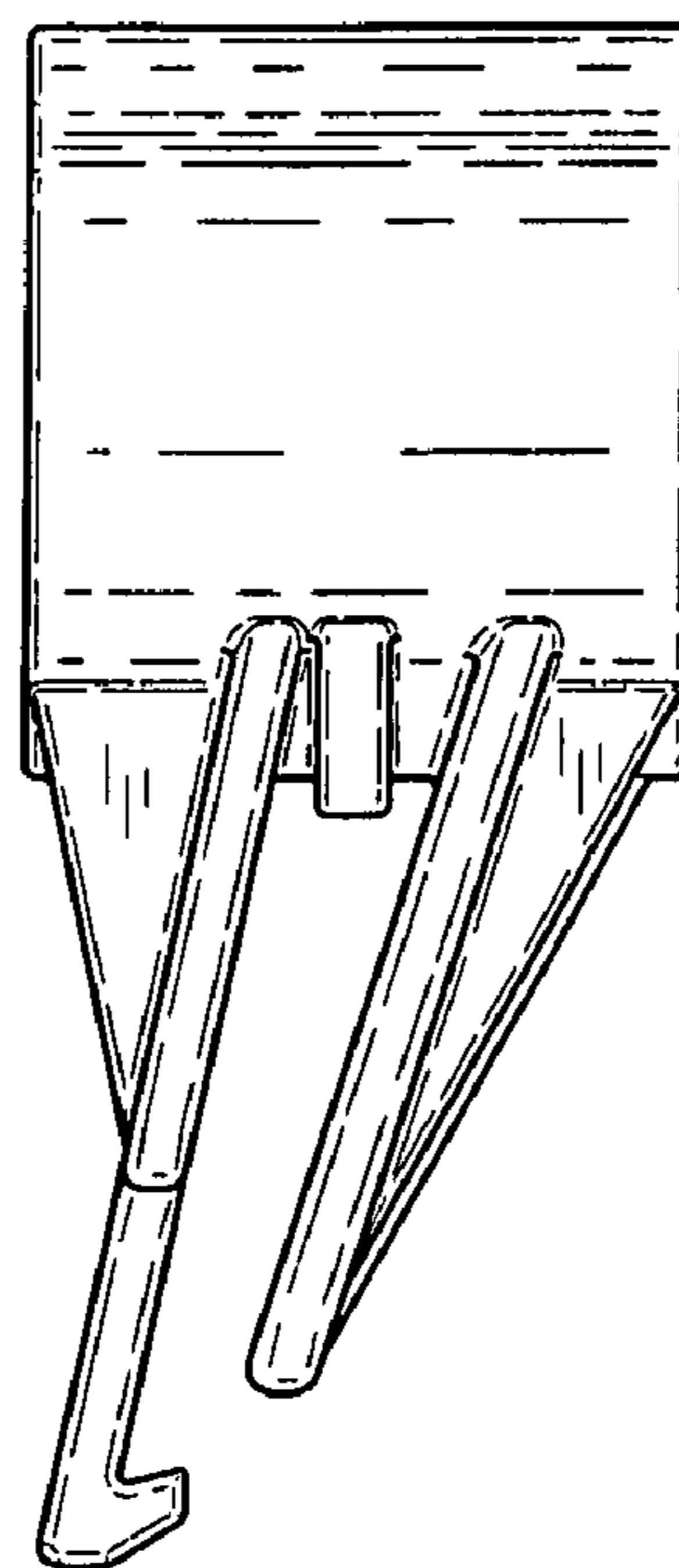


Fig.4

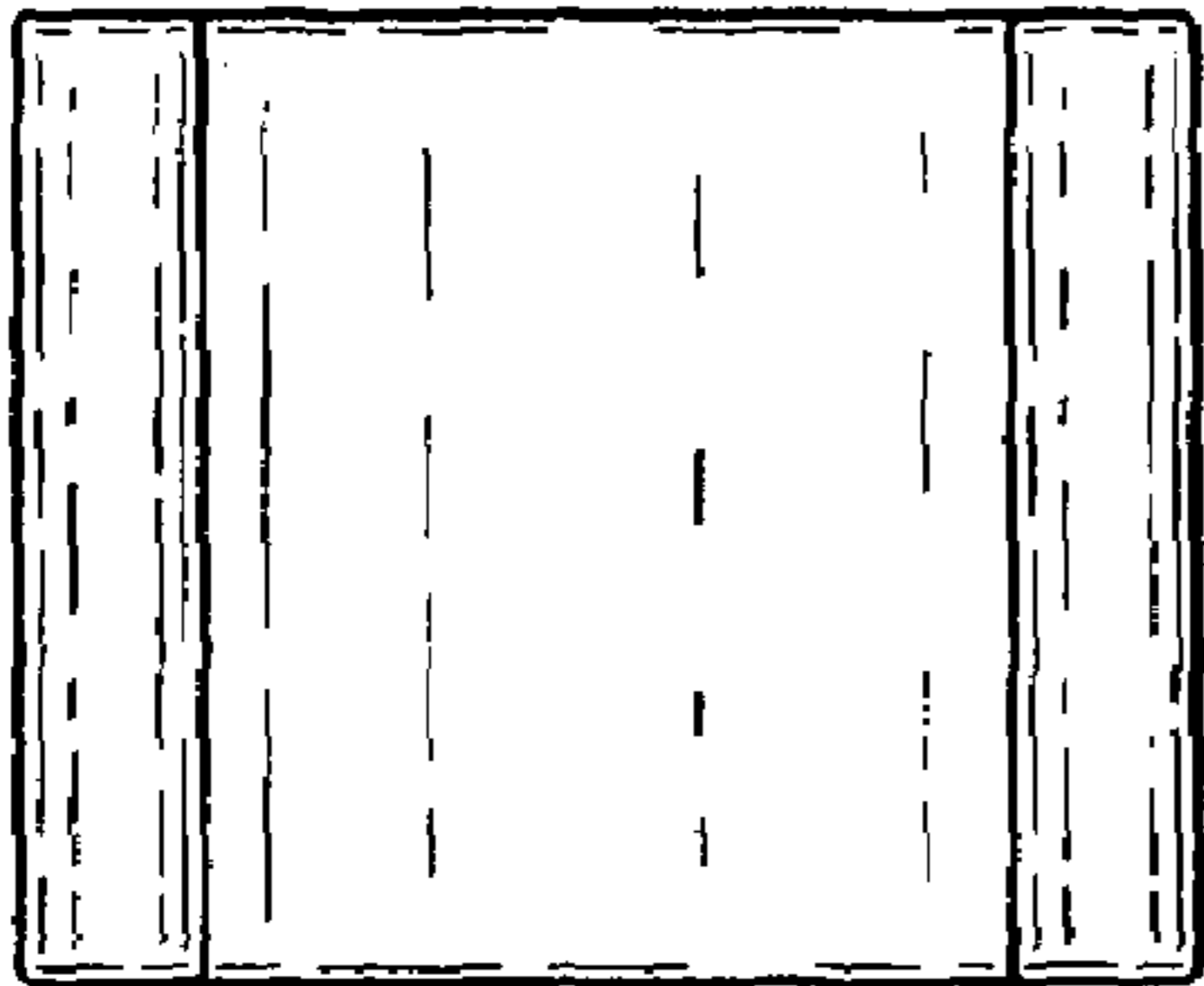


Fig.5

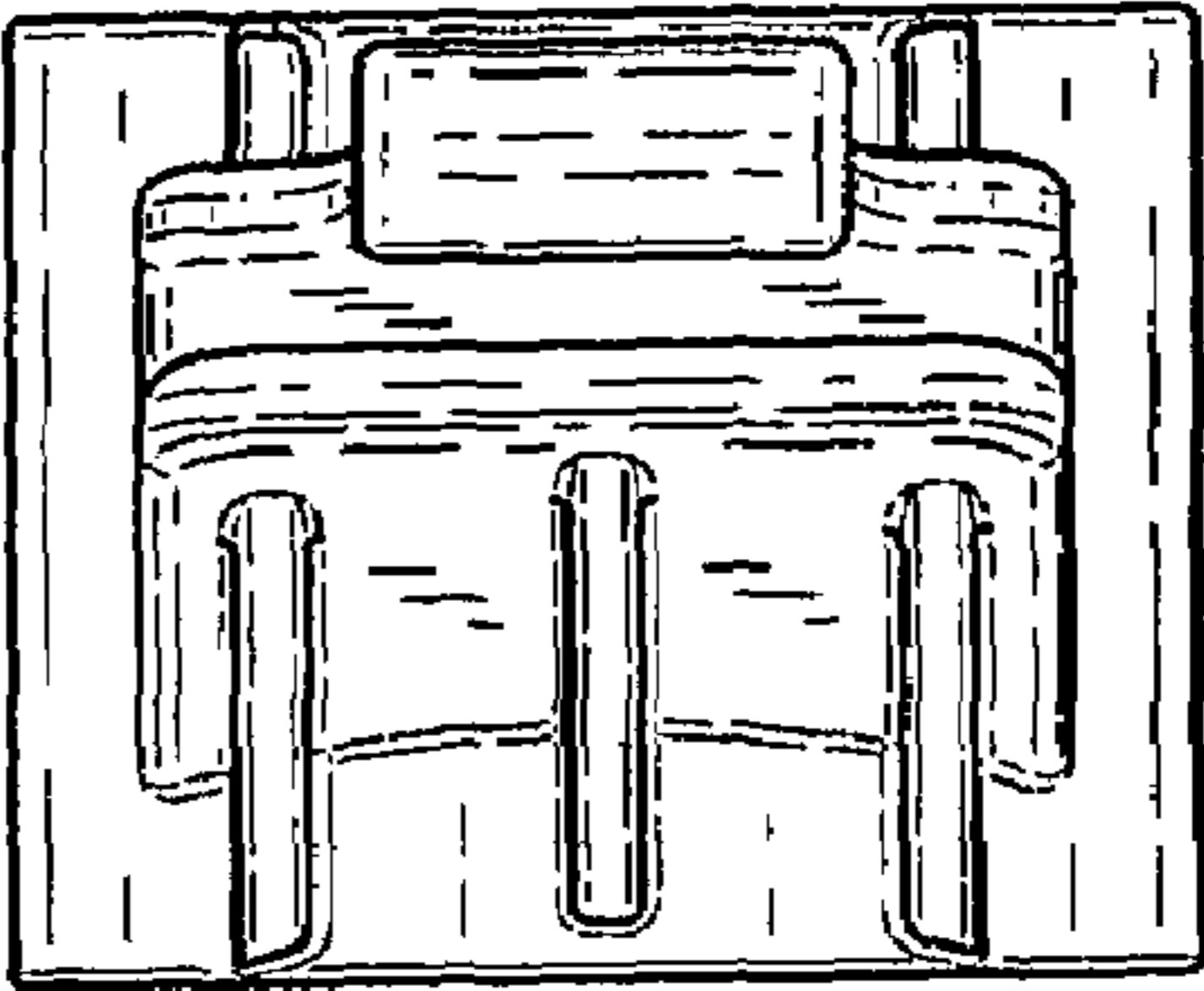


Fig.6

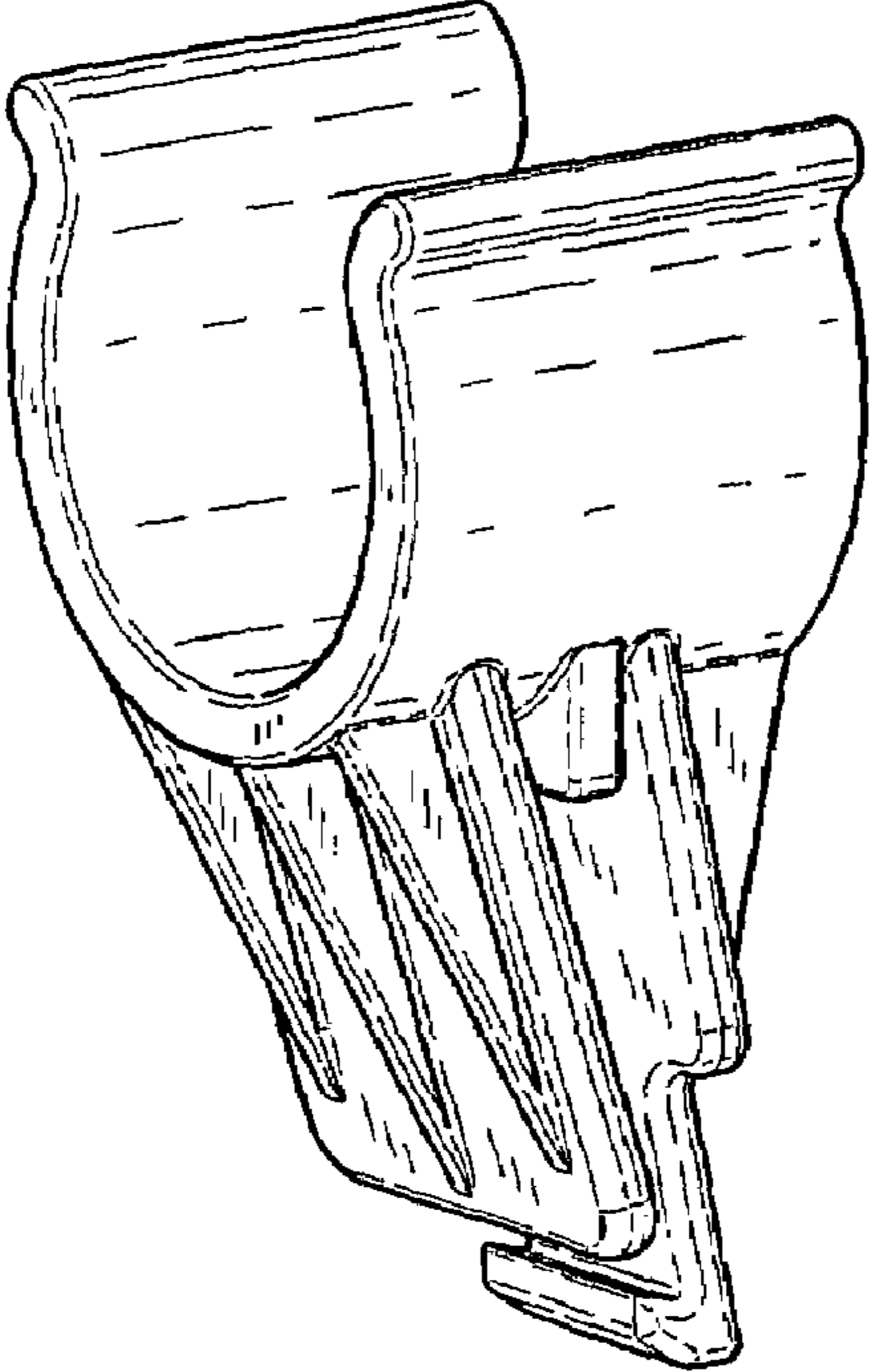


Fig.7